

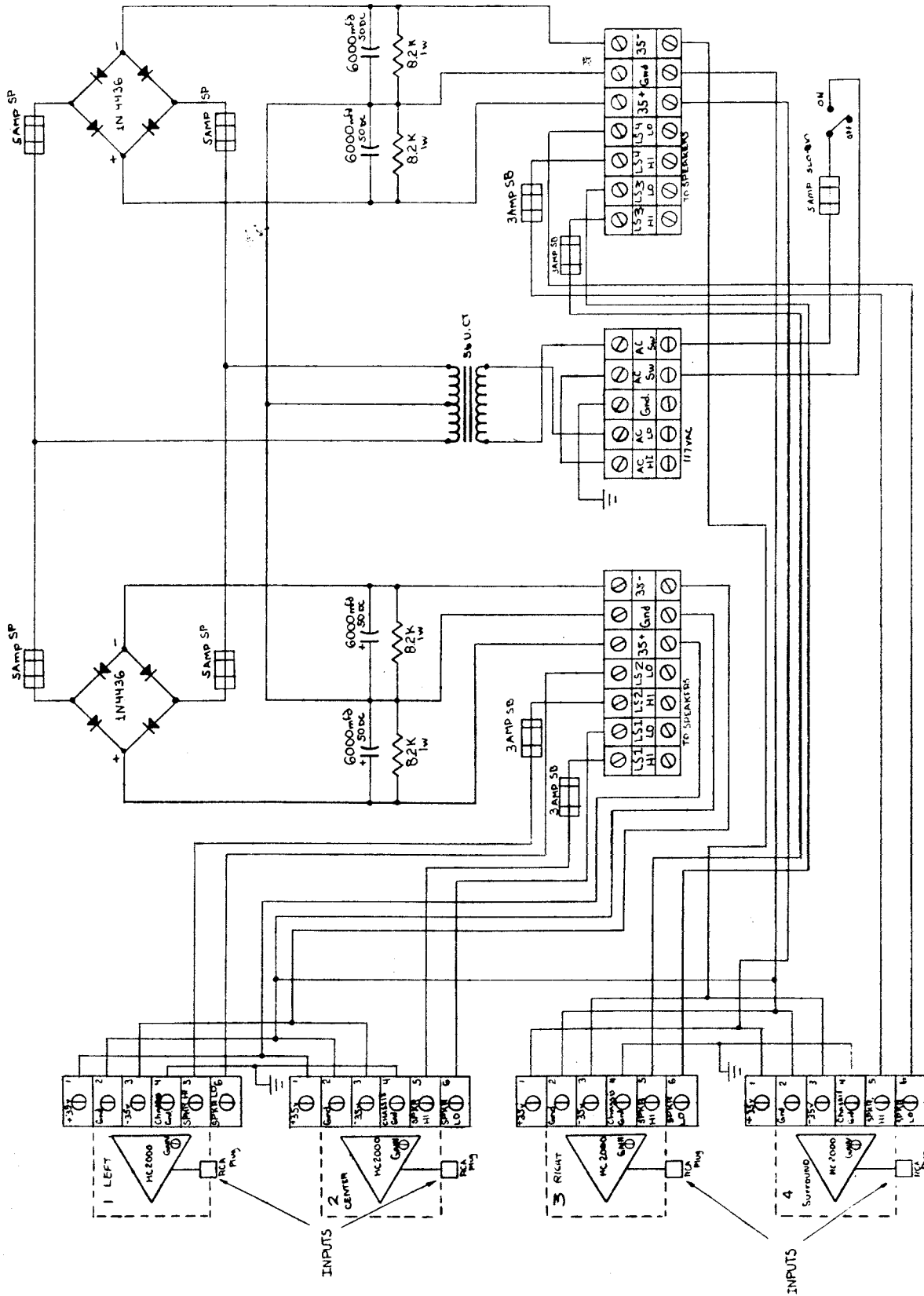
# Film-Tech

The information contained in this Adobe Acrobat pdf file is provided at your own risk and good judgment.

These manuals are designed to facilitate the exchange of information related to cinema projection and film handling, with no warranties nor obligations from the authors, for qualified field service engineers.

If you are not a qualified technician, please make no adjustments to anything you may read about in these Adobe manual downloads.

[www.film-tech.com](http://www.film-tech.com)

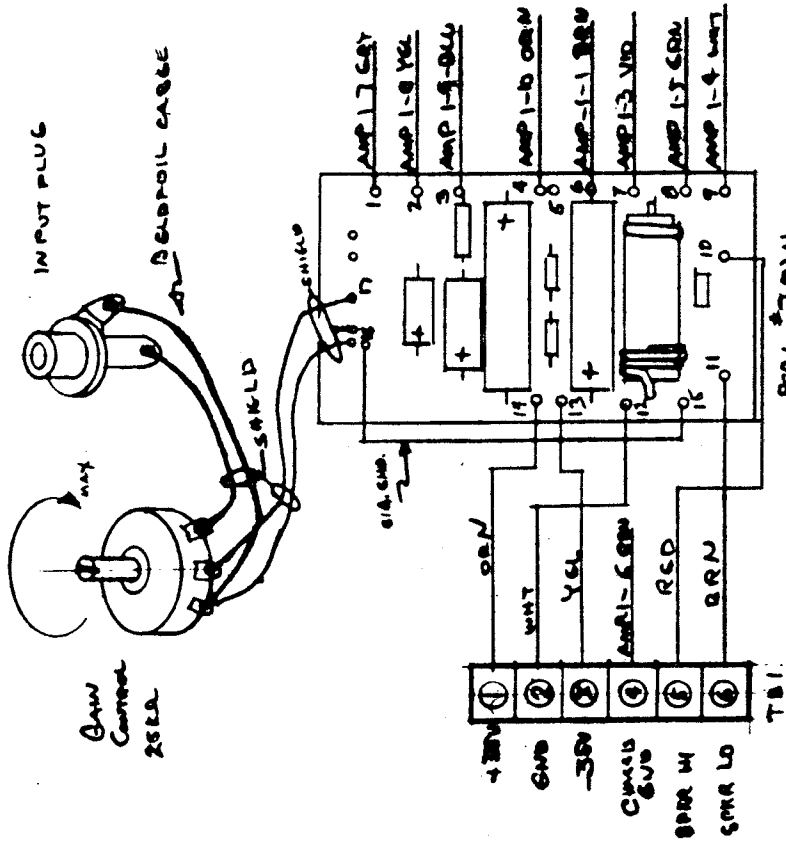


SEE 25610 FOR SCHEMATIC OF POWER AMPLIFIER

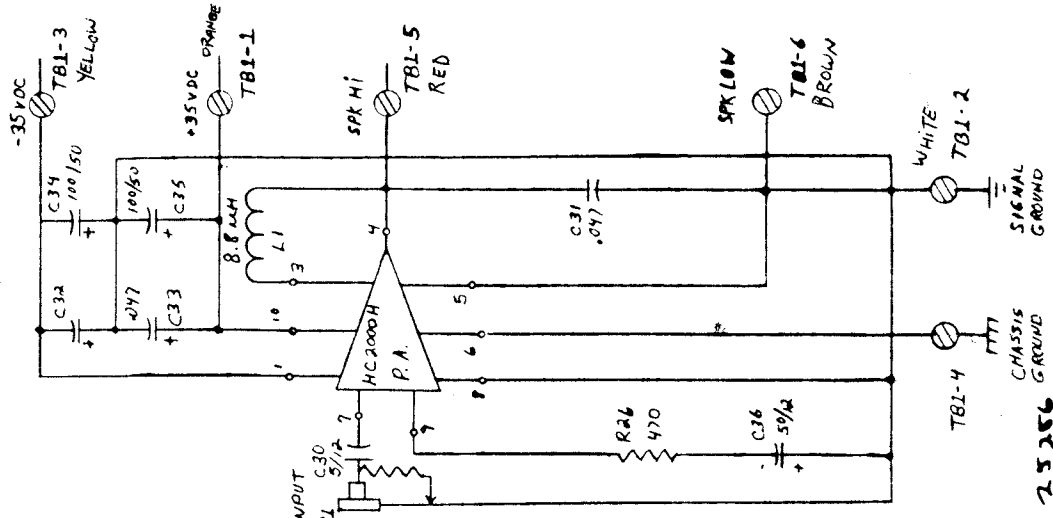
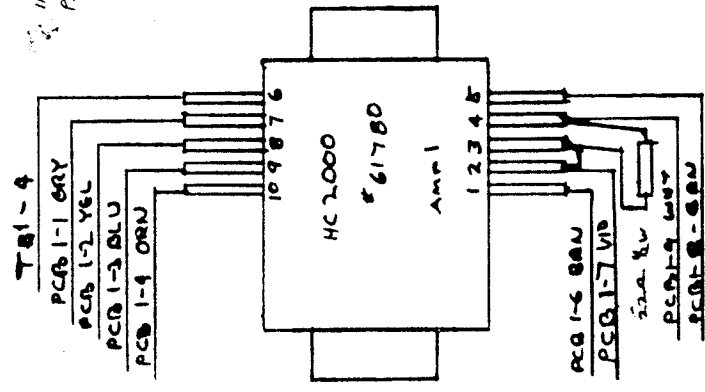
PARTS LIST		REV. NO.		DATE	
1	MC2000	1	1	1	1
2	1N4136	2	1	1	1
3	6000µF	3	1	1	1
4	82K	4	1	1	1
5	17VDC	5	1	1	1
6	35VDC	6	1	1	1
7	Transformer	7	1	1	1
8	SAMP SW	8	1	1	1
9	Wires	9	1	1	1
10	PCB	10	1	1	1
11	PCB	11	1	1	1
12	PCB	12	1	1	1
13	PCB	13	1	1	1
14	PCB	14	1	1	1
15	PCB	15	1	1	1
16	PCB	16	1	1	1
17	PCB	17	1	1	1
18	PCB	18	1	1	1
19	PCB	19	1	1	1
20	PCB	20	1	1	1
21	PCB	21	1	1	1
22	PCB	22	1	1	1
23	PCB	23	1	1	1
24	PCB	24	1	1	1
25	PCB	25	1	1	1
26	PCB	26	1	1	1
27	PCB	27	1	1	1
28	PCB	28	1	1	1
29	PCB	29	1	1	1
30	PCB	30	1	1	1
31	PCB	31	1	1	1
32	PCB	32	1	1	1
33	PCB	33	1	1	1
34	PCB	34	1	1	1
35	PCB	35	1	1	1
36	PCB	36	1	1	1
37	PCB	37	1	1	1
38	PCB	38	1	1	1
39	PCB	39	1	1	1
40	PCB	40	1	1	1
41	PCB	41	1	1	1
42	PCB	42	1	1	1
43	PCB	43	1	1	1
44	PCB	44	1	1	1
45	PCB	45	1	1	1
46	PCB	46	1	1	1
47	PCB	47	1	1	1
48	PCB	48	1	1	1
49	PCB	49	1	1	1
50	PCB	50	1	1	1
51	PCB	51	1	1	1
52	PCB	52	1	1	1
53	PCB	53	1	1	1
54	PCB	54	1	1	1
55	PCB	55	1	1	1
56	PCB	56	1	1	1
57	PCB	57	1	1	1
58	PCB	58	1	1	1
59	PCB	59	1	1	1
60	PCB	60	1	1	1
61	PCB	61	1	1	1
62	PCB	62	1	1	1
63	PCB	63	1	1	1
64	PCB	64	1	1	1
65	PCB	65	1	1	1
66	PCB	66	1	1	1
67	PCB	67	1	1	1
68	PCB	68	1	1	1
69	PCB	69	1	1	1
70	PCB	70	1	1	1
71	PCB	71	1	1	1
72	PCB	72	1	1	1
73	PCB	73	1	1	1
74	PCB	74	1	1	1
75	PCB	75	1	1	1
76	PCB	76	1	1	1
77	PCB	77	1	1	1
78	PCB	78	1	1	1
79	PCB	79	1	1	1
80	PCB	80	1	1	1
81	PCB	81	1	1	1
82	PCB	82	1	1	1
83	PCB	83	1	1	1
84	PCB	84	1	1	1
85	PCB	85	1	1	1
86	PCB	86	1	1	1
87	PCB	87	1	1	1
88	PCB	88	1	1	1
89	PCB	89	1	1	1
90	PCB	90	1	1	1
91	PCB	91	1	1	1
92	PCB	92	1	1	1
93	PCB	93	1	1	1
94	PCB	94	1	1	1
95	PCB	95	1	1	1
96	PCB	96	1	1	1
97	PCB	97	1	1	1
98	PCB	98	1	1	1
99	PCB	99	1	1	1
100	PCB	100	1	1	1

STAR POWER FOUR SCHEMATIC

25600



ALL WIRE  
IGGA STRANDED



REF.

SIAMSEE TO 25266

NO	ECN	DATE	CHANGE	BY
8				
7				
6				
5				
4				
3				
2				
1				
NO	ECN	DATE	CHANGE	BY

DATE	APPROVED BY	DESIGNED BY	ASSEMBLED BY

WIRE LIST

Power Module - STAR - DIAGRAM

TOLERANCE (EXCEPT AS NOTED)

DEC DENOM REACTS

ASSEMBLY NO. 25610

REV. 10-8-71