

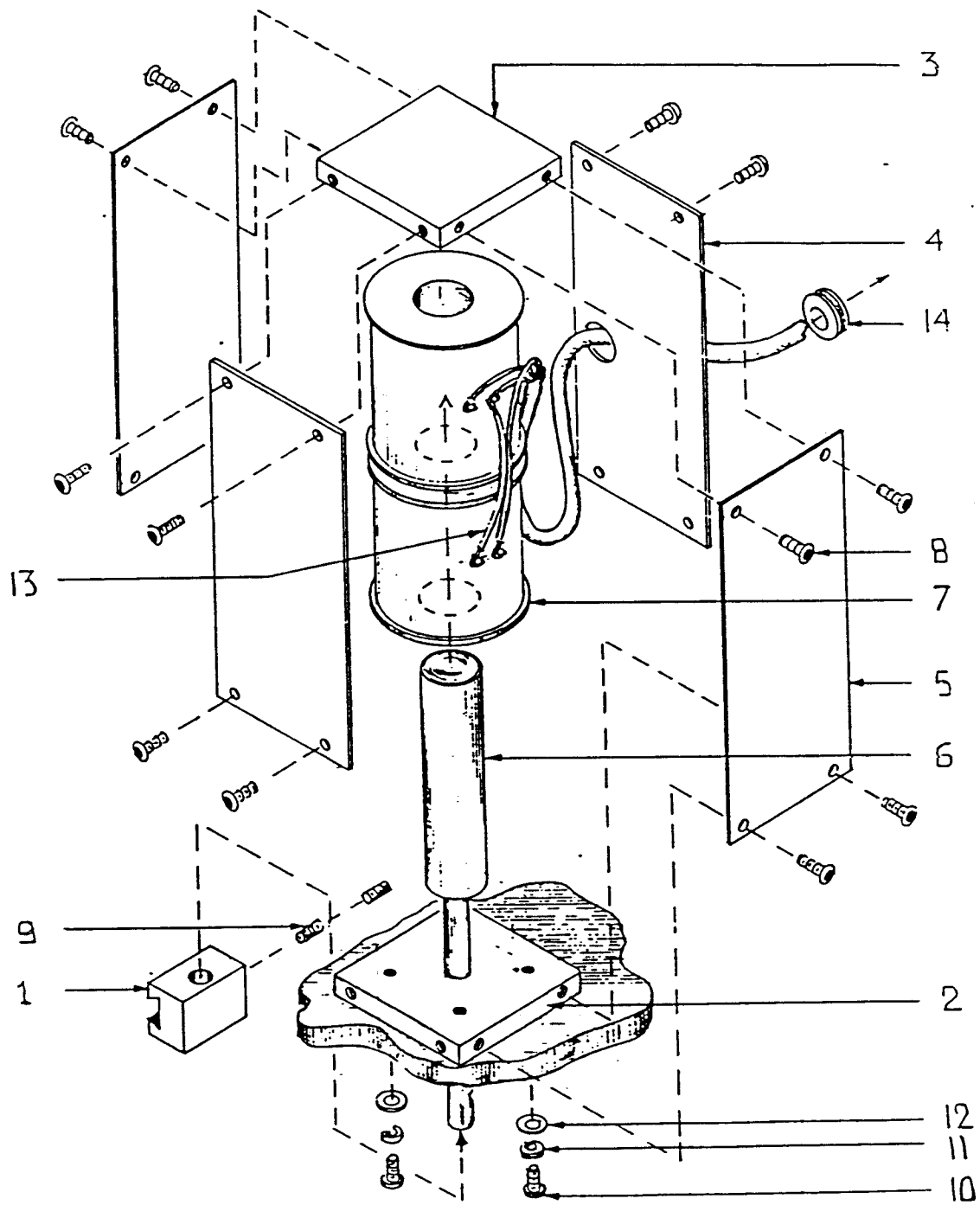
# Film-Tech

The information contained in this Adobe Acrobat pdf file is provided at your own risk and good judgment.

These manuals are designed to facilitate the exchange of information related to cinema projection and film handling, with no warranties nor obligations from the authors, for qualified field service engineers.

If you are not a qualified technician, please make no adjustments to anything you may read about in these Adobe manual downloads.

[www.film-tech.com](http://www.film-tech.com)



ASSEMBLY NAME SOLENOID PLUNGER - STOP PIN

MODEL # P35

DATE REQ'D

QTY

7812515

LINE #	PART NO.	QTY. PER ASSY	QTY. REQ.	QTY. ISSUED	QTY. SHIP.	REC. SPARE PTS.	PART NAME	B-H P/N
1	120192-001	1					Pin, Stop, Rotational Positioning	7812375
2	121129-001	1					Flange, Plunger	7812471-1
3	121129-002	1					Body, Plunger	7812471-2
4								
5								
6								
7								
8								
9								
10								
11								
12								
13								
14								
15								
16								
17								
18								
19								
20								
21								
22								
23								
24								
25								
26								
27								
28								
29								
30								
31								
32								
33								
34								
35								
36								
37								
38								
39								
40								

EV	ECO	POSTED	MAT. ISSUED
		BY	DATE

22253

THESE DRAWINGS AND SPECIFICATIONS ARE THE PROPERTY OF CHRISTIE ELECTRIC CORP. AND SHALL NOT BE REPRODUCED, OR COPIED, OR USED AS THE BASIS FOR THE MANUFACTURE, PROCUREMENT OR SALE OF APPARATUS WITHOUT PERMISSION.

ITEM NO.	PART NO.	QTY. PER ASSY	QTY. REQ.	QTY. ISSUED	QTY. SHI.	REC. SPARE PIS.	PART NAME
1	121049-001						THIS ASSEMBLY
2	121049-002	1					HARNES TB-2
3	121049-003	1					HARNES TB-3
4	121049-004	1					HARNES INTERFACE
5							
6	120789-002	1					HARNES INTERNAL

THESE DRAWINGS AND SPECIFICATIONS ARE THE PROPERTY OF CHRISTIE ELECTRIC CO. AND SHALL NOT BE REPRODUCED, COPIED OR USED AS THE BASIS FOR THE MANUFACTURE, PROCUREMENT OR SALE OF APPARATUS WITHOUT PERMISSION.

REV	ECO	POSTED	MAT. ISSUED
A	ORIG.	BY	BY
B	22070	DATE	DATE

ASSEMBLY NAME		MODEL #	
AUTOMATIC TRAP AND GATE SOLENOID		P35	
G. #	QTY	DATE REC'D	

EM O.	PART NO.	QTY. PER ASS'Y	QTY. REQ.	QTY. ISSUED	QTY. SHIP.	REC. SPARE PIS.	PART NAME	B-H P/N
	598931-324	1					Connector	
	120892-001	1					Plate, Bottom	7812461
	120891-001	1					Plate, Top	7812462
	120893-001	1					Cover, Side w/Inlet	7812463
	120894-001	3					Cover, Side	7812464
	598931-325	1					Plunger Assembly	
	120767-001	2					Coll, Solenoid	
	598931-249	16					Button head screw, Hex Socket, 4-40 x 1/4	
	598931-022	2					Set Screw, Hex Socket, 6-32 x 3/16, Cup Point	
	598931-387	4					Button Head Screw, Hex Socket, 4-40 x 1/2	
	515819-009	4					Washer, Split Lock, #4	
	515819-008	4					Washer, Plain Flat, #4	
	511311-182	0.2ft					Wire, Jumper	
	518504-071	1					Grommet, 7/16	

EV	ECO								
22220									

POSTED: \_\_\_\_\_ MAT. ISSUED: \_\_\_\_\_  
 BY: \_\_\_\_\_ DATE: \_\_\_\_\_

THESE DRAWINGS AND SPECIFICATIONS ARE THE PROPERTY OF CHRISTIE ELECTRIC CORP. AND SHALL NOT BE REPRODUCED OR COPIED, OR USED AS THE BASIS FOR THE MANUFACTURE, PROCUREMENT OR SALE OF APPARATUS WITHOUT PERMISSION.

REG. # 5 ASSEMBLY NAME HARNESS TB-3 MODEL # P35-AMC

ITEM NO.	PART NO.	QTY. PER ASSY	QTY. REQ.	QTY. ISSUED	QTY. SHI.	REC. SPARE P.TS.	PART NAME	QTY	DATE REQ'D
1	511311-182	20 1/2"					WIRE, 18AWG., WHITE	W5	
2	511311-182	19 1/2"					WIRE, 18AWG., WHITE	W6	
3	518900-009	12					TIE WRAP, SMALL		
4	583218-016	4					LUG, SPADE #6 RED		

REV	ECO	POSTED	MAT. ISSUED
		BY	BY
		DATE	DATE

THESE DRAWINGS AND SPECIFICATIONS ARE THE PROPERTY OF CHRISTIE ELECTRIC CO. AND SHALL NOT BE REPRODUCED OR COPIED OR USED AS THE BASIS FOR THE MANUFACTURE, PROCUREMENT OR SALE OF APPARATUS WITHOUT PERMISSION.

ASSEMBLY NAME  
HARNESS TB-2

MODEL # P35-AMC

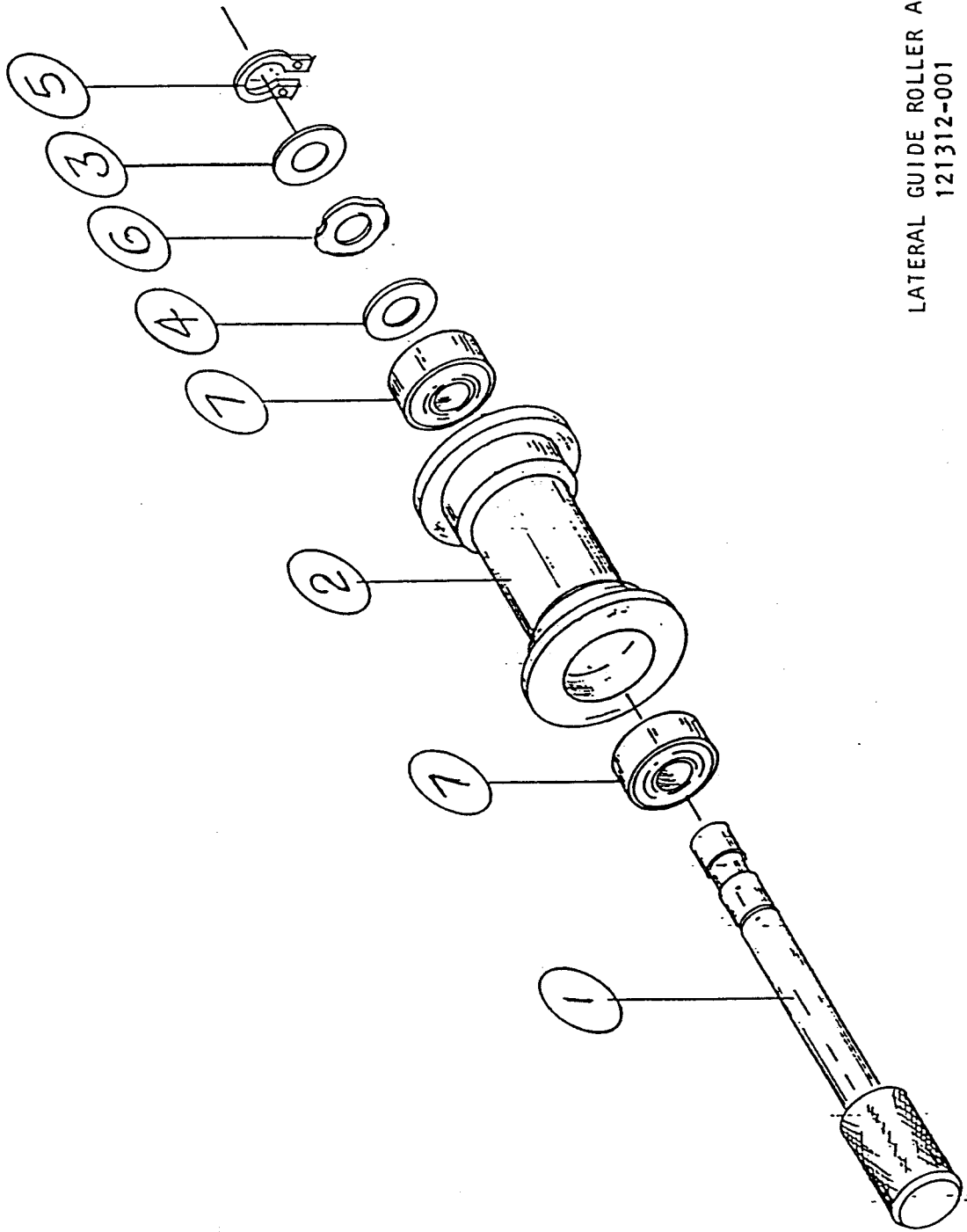
QTY DATE REQ'D

QTY. PER ASS'Y	QTY. REQ.	QTY. ISSUED	QTY. SHIP.	REC. SPARE PTS.	PART NAME	
17 "					WIRE, 18AWG., WHITE	W7
16 "					WIRE, 18AWG., WHITE	W8
15 "					WIRE, 18AWG., WHITE	W9
14 "					WIRE, 18AWG., WHITE	W10
11					TIE WRAP, SMALL	
9					LUG, SPADE #6 RED	
1					LUG, QUICK CONNECT 1/4 RED	
7 1/2 "					WIRE, 18AWG., WHITE	

ECO	POSTED	MAT. ISSUED
BY	BY	DATE

THESE DRAWINGS AND SPECIFICATIONS ARE THE PROPERTY OF CHRISTIE ELECTRIC CORP. AND SHALL NOT BE REPRODUCED, OR COPIED, OR USED AS THE BASIS FOR THE MANUFACTURE, PROCUREMENT OR SALE OF APPARATUS WITHOUT PERMISSION.

LATERAL GUIDE ROLLER ASSEMBLY  
121312-001





ASSEMBLY NAME: LATERAL GUIDE ROLLER ASSEMBLY      PART NO: 7812294

MODEL # P35      QTY      DATE REQ'D

Q. #	PART NO.	QTY. PER ASS'Y	QTY. REQ.	QTY. ISSUED	QTY. SHIP.	REQ. SPARE PTS.	PART NAME	B-H P/N	DATE REQ'D
	119162-001	1					Shaft, Lateral Guide Roller	7812242	
	119164-001	1					Roller, Lateral Guide	7812245	
	598931-060	1					Precision Shim Spacer,.008 THICK,.250 ID,.375 OD		Allied Dev. DB8D3
	598931-438	1					Precision Shim Spacer,.004 THICK,.250 ID,.375 OD		Allied Dev. DB8D1
	598931-154	1					External Retaining Ring		Waldes Truarc 5100-25 SPP
	598931-439	1					Spring, Wave Washer,.265 ID,.367 OD,.006 THICK.		Allied Dev DD61
	598931-124	2					Ball Bearing, Class 7		New Hampshire R188PP/7

EV	ECO								
	9/30/8-								
		POSTED	MAT. ISSUED						
		BY	DATE						

THESE DRAWINGS AND SPECIFICATIONS ARE THE PROPERTY OF CHRISTIE ELECTRIC CORP. AND SHALL NOT BE REPRODUCED, COPIED, OR USED AS THE BASIS FOR THE MANUFACTURE, PROCUREMENT OR SALE OF APPARATUS WITHOUT PERMISSION.

REG. #		ASSEMBLY NAME		HARNES INTERFACE		MODEL # P35 AMC	
W.O. #						DATE REQ'D	
ITEM NO.	PART NO.	QTY. PER ASSY	QTY. REQ.	QTY. ISSUED	QTY. SHIP.	REC. SPARE PIS.	PART NAME
1	511311-181	40 "					WIRE, #18AWG., BLACK W1
2	511311-181	41 "					WIRE, #18AWG., BLACK W3
3	511311-181	42 "					WIRE, #18AWG., BLACK W5
4	511311-181	42 1/2 "					WIRE, #18AWG., BLACK W6
5	511311-181	40 "					WIRE, #18AWG., BLACK W7
6	511311-181	40 1/2 "					WIRE, #18AWG., BLACK W8
7	511311-181	44 "					WIRE, #18AWG., BLACK W9
8	511311-181	44 1/2 "					WIRE, #18AWG., BLACK W10
9	511311-181	41 "					WIRE, #18AWG., BLACK W19
10	507703-232	9 "					TUBING-INSUL., GLASS #3, BLACK
11	507703-232	5 1/2 "					TUBING-INSUL., GLASS #3, BLACK
12	507703-262	9 "					TUBING-INSUL., GLASS #2, BLACK
13	507704-501	30 "					TUBING-INSUL., GLASS #1/2, BROWN
14	507717-750	1 "					TUBING-HEATSHRINK, 750/-375, BLACK
15	507717-750	2 "					TUBING-HEATSHRINK, 750/-375, BLACK
16	524206-007	1					PLUG- MS3106A14S-6P, 6PIN P4 amphenol
17	524207-001	1					PLUG- MS3106A22 -28P, 7PIN P3 bendix
18	524203-003	1					PLUG- TWIST LOCK, STRAIGHT BLADE, 15/10A P2 hubbel
19	524620-008	1					CABLE CLAMP- MS3057-12A W/BUSHING P2 7567C

THESE DRAWINGS AND SPECIFICATIONS ARE THE PROPERTY OF CHRISTIE ELECTRIC CORP. AND SHALL NOT BE REPRODUCED OR COPIED OR USED AS THE BASIS FOR THE MANUFACTURE, PROCUREMENT OR SALE OF APPARATUS WITHOUT PERMISSION.

REV	ECO	POSTED	MAT. ISSUED
		BY	BY
		DATE	DATE

BILL OF MATERIAL

ET 2 OF 2

MODEL # **P35 AMC**  
DATE REQ'D

ASSEMBLY NAME  
**HARNESS INTERFACE**

QTY

QTY. PER ASSY	QTY. REQ.	QTY. ISSUED	QTY. SHIT.	REG. SPARE PTS.	PART NAME	amphenol 97-3057-1007
1					CABLE CLAMP- MS3057-6A	
10					LUG - SPADE, #6 RED	
40					WIRE, #18AWG, BLACK	W2

V	ECO	POSTED		MAT. ISSUED	
		BY	DATE	BY	DATE

THESE DRAWINGS AND SPECIFICATIONS ARE THE PROPERTY OF CHRISTIE ELECTRIC CORP. AND SHALL NOT BE REPRODUCED, COPIED, OR USED AS THE BASIS FOR THE MANUFACTURE, PROCUREMENT OR SALE OF APPARATUS WITHOUT PERMISSION.

REG. #	ASSEMBLY NAME	MODEL #	P35
W.O. #		QTY	

ITEM NO.	PART NO.	QTY. PER ASS'Y	QTY. REQ.	QTY. ISSUED	QTY. SHI.	REQ. SPARE PTS.	PART NAME	B-H P/N
1	120759-001	1					Panel 5.950 x 5.009 Left	
2	120760-001	1					Panel 5.950 x 5.009 Right	
3	120761-001	1					Panel 13.750 x 13.570	

REV	ECO	B	21919	D															
A	21121	C	22062																

THESE DRAWINGS AND SPECIFICATIONS ARE THE PROPERTY OF CHRISTIE ELECTRIC CORP AND SHALL NOT BE REPRODUCED, COPIED OR USED AS THE BASIS FOR THE MANUFACTURE, PROCUREMENT OR SALE OF APPARATUS WITHOUT PERMISSION.

ASSEMBLY NAME

MODEL # P35

ASSEMBLY WELDMENT

QTY. PER ASSY QTY. REQ. QTY. ISSUED QTY. SHT. REC. SPARE PTS. PART NO.

ASSEMBLY WELDMENT

QTY. PER ASSY QTY. REQ. QTY. ISSUED QTY. SHT. REC. SPARE PTS. PART NO.

PART NAME

B-H P/N

Panel 5.950 x 5.009 Left

Panel 5.950 x 5.009 Right

Panel 13.750 x 13.570

120759-001

120760-001

120761-001

THESE DRAWINGS AND SPECIFICATIONS ARE THE PROPERTY OF CHRISTIE ELECTRIC CORP. AND SHALL NOT BE REPRODUCED, OR COPIED, OR USED AS THE BASIS FOR THE MANUFACTURE, PROCUREMENT OR SALE OF APPARATUS WITHOUT PERMISSION.

MAT. ISSUED BY DATE

POSTED BY DATE

ECO B 21919 D  
A 21121 C 22062



MODEL # P35

QTY

DATE REQ'D

### ASSEMBLY WELDMENT

### ASSEMBLY NAME

EG. #

O. #

TEM NO.	PART NO.	QTY. PER ASS'Y	QTY. REQ.	QTY. ISSUED	QTY. SHI.	REC. SPARE PTS.	PART NAME	B-H P/N
	120759-001	1					Panel 5.950 x 5.009 Left	
	120760-001	1					Panel 5.950 x 5.009 Right	
	120761-001	1					Panel 13.750 x 13.570	

THESE DRAWINGS AND SPECIFICATIONS ARE THE PROPERTY OF CHRISTIE ELECTRIC CORP. AND SHALL NOT BE REPRODUCED OR COPIED, OR USED AS THE BASIS FOR THE MANUFACTURE, PROCUREMENT OR SALE OF APPARATUS WITHOUT PERMISSION.

EV	ECO	B	C	D	22266	POSTED	MAT. ISSUED
						BY	BY
						DATE	DATE

ROLL OF MATERIAL ASSEMBLY # T-Y - Y2076

REG. # W.O. # ASSEMBLY NAME COIL SOLENOID T-4398-1 MODEL # P 35 DATE REQ'D

ITEM NO.	PART NO.	QTY. PER ASSY	QTY. REQ.	QTY. ISSUED	QTY. SHT.	REQ. SPARE PIS.	PART NAME
1	120768-001	1					Terminal Strip Assembly
2	507530-404	.01RL					Tape, Insulate Adhesive, 1/2" Wide
3	511506-291	.27LB					Magnetic Wire, Round, 29 AWG
4	587210-001	1					Bobbin, Nylon Glass Filled

Cosmo Plas  
2-3873-0-0  
00-0-1

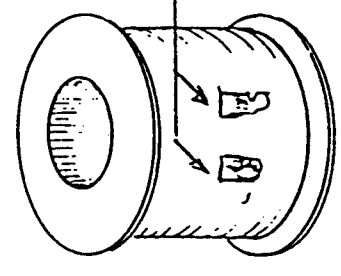
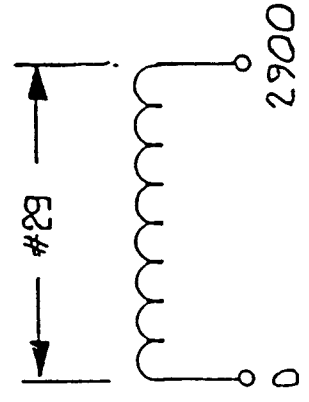
REV	ECO	POSTED	MAT. ISSUED
A	21128	BY	DATE

THESE DRAWINGS AND SPECIFICATIONS ARE THE PROPERTY OF CHRISTIE ELECTRIC CORP AND SHALL NOT BE REPRODUCED, COPIED OR USED AS THE BASIS FOR THE MANUFACTURE, PROCUREMENT OR SALE OF APPARATUS WITHOUT PERMISSION.



D-C FUSE \_\_\_\_\_  
 MAGN. OL. RELAY \_\_\_\_\_  
 D-C CONTACTOR \_\_\_\_\_  
 AUX. TR. T. \_\_\_\_\_  
 IPT. T. \_\_\_\_\_  
 CHOKES (MAIN) T. \_\_\_\_\_  
 CAPACITORS \_\_\_\_\_  
 TOROID. AS'Y. T. \_\_\_\_\_  
 BLEEDER (BALLAST) \_\_\_\_\_  
 SER. RES. \_\_\_\_\_  
 INDUCTOR/C.B. \_\_\_\_\_  
 IM. OL. RELAY \_\_\_\_\_  
 1/4-C FUSE \_\_\_\_\_

WINDING \_\_\_\_\_  
 AIR GAP \_\_\_\_\_  
 LEADS \_\_\_\_\_  
 PRI. \_\_\_\_\_  
 SEC. \_\_\_\_\_  
 B. MAX (KL/SQ. IN.) \_\_\_\_\_ GAUSS \_\_\_\_\_  
 INS. CLASS \_\_\_\_\_ RISE: \_\_\_\_\_ °C (EST.) \_\_\_\_\_ °C (ACT.) \_\_\_\_\_  
 INS. SPEC. S. \_\_\_\_\_ TEST VOLT PRI. \_\_\_\_\_ SEC. \_\_\_\_\_  
 WT. CORE \_\_\_\_\_ LB (EST) \_\_\_\_\_ LB (ACT.) \_\_\_\_\_  
 COILS \_\_\_\_\_  
 BRKTS. \_\_\_\_\_  
 TOTAL \_\_\_\_\_



SEE NOTE 2

NOTES:

BOBBIN:

COSMO PLASTICS  
 IDENT: 2-3873-0-000-00-0-1  
 MAT'L.: NYLON GLASS FILLED  
 CEC P/N 587810-001

LEAD TERMINATION:

SOLDER TERMINALS (2 EA)  
 CEC P/N 585701-401

SEE PARTS LIST 120767-001

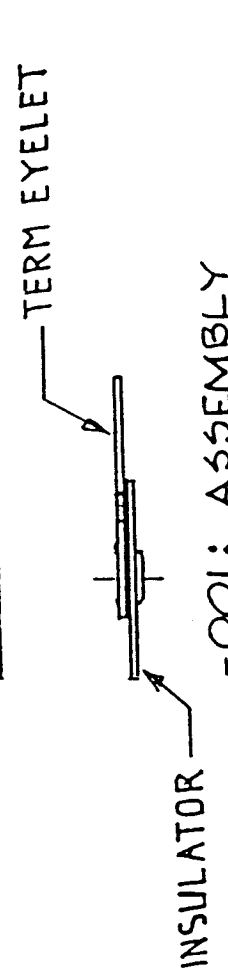
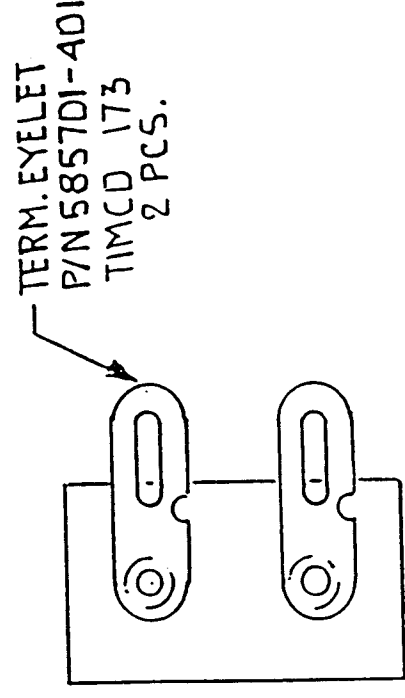
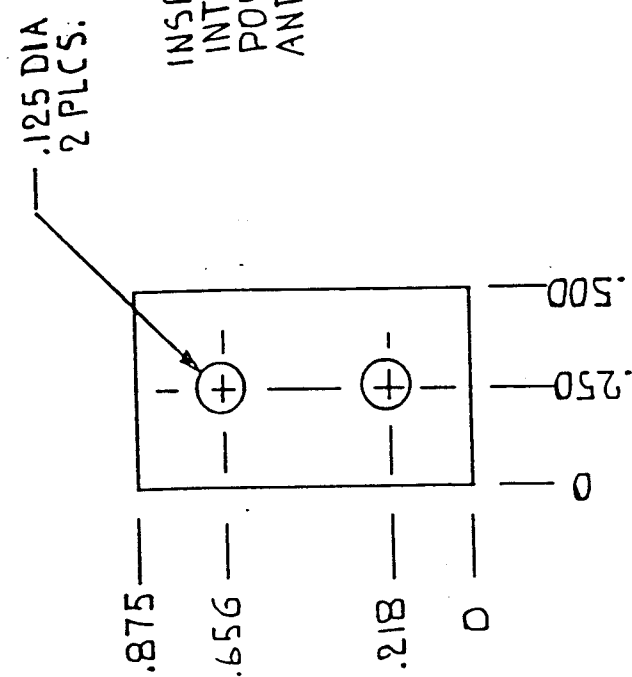
NOTE: SEC. VOLTAGES ARE SHOWN AT MAX. INPUT VOLTAGE

COOLING	DIAGR.
A-C V 115	CY. 60 PH. 1
D-C V	AMP.
REG.	RIP.
TYPE SOLENOID COIL - P-35	

CHRISTIE INCORPORATED

SUPSEOL. T. \_\_\_\_\_  
 SUPD. BY T. \_\_\_\_\_  
 DR. G.J. S/RAG  
 DATE 10-12-84  
 T-4398 A

THIS DRAWING AND SPECIFICATIONS ARE THE PROPERTY OF CHRISTIE ELECTRIC CORP. AND SHALL NOT BE REPRODUCED OR COPIED OR USED AS THE BASIS FOR THE MANUFACTURE OR SALE OF APPARATUS WITHOUT EXPRESS WRITTEN PERMISSION OF CHRISTIE ELECTRIC CORP.



-020: INSULATOR  
 MAT'L: NOMEX 10MIL  
 P/N 507319-014

REV	DESCRIPTION	DATE	APPROVED
A	REL PER ECO 21128	1/1/88	[Signature]

PROJECT NO.	DATE	BY	SCALE
12076	1/1/88	[Signature]	2:1

<p><b>CHRISTIE</b> INCORPORATED</p>		<p>TERMINAL STRIP ASSY</p>	
<p>DESIGNED BY: G. J. BIRAG</p>	<p>DATE: 10.25.84</p>	<p>DWG. NO. 120768</p>	<p>REV. A</p>
<p>SEE ABOVE</p>	<p>APPROVED: [Signature]</p>	<p>SCALE 2:1</p>	<p>SHEET 1 OF 1</p>
<p>120767-001 P85 SOL-</p>	<p>USED ON</p>	<p>APPLICATION</p>	

587210

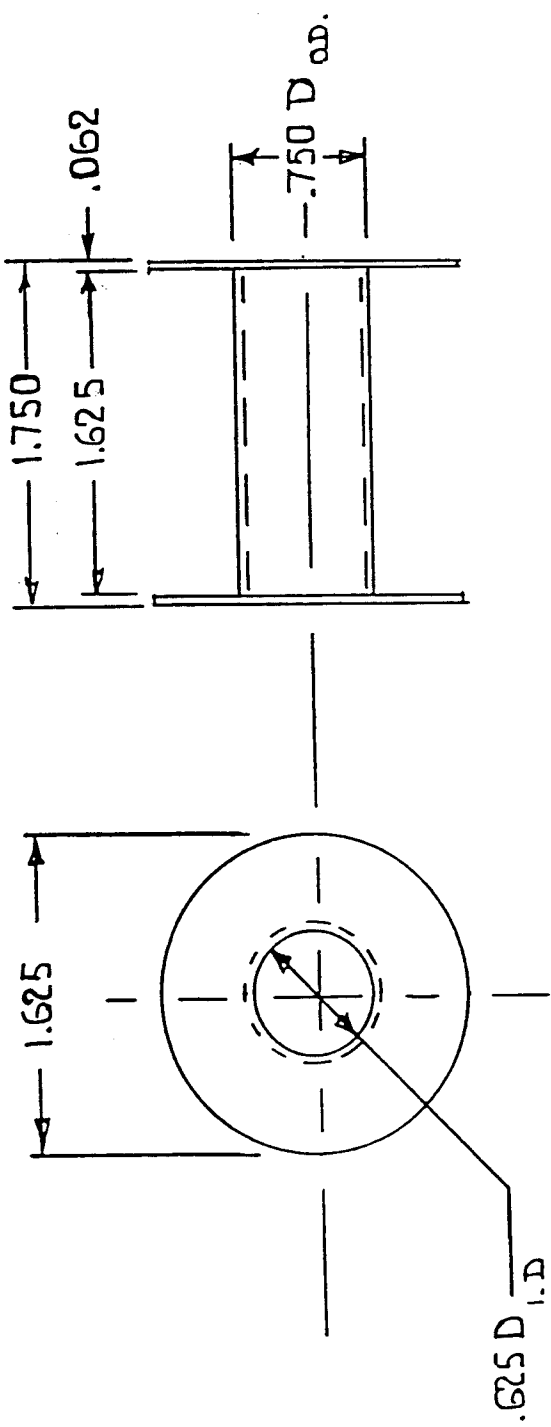
1

A

REVISIONS

REV.	DESCRIPTION	DATE	APPROVED
A	O.I.	10-12-84	

THIS DRAWING AND ALL INFORMATION CONTAINED HEREIN IS THE PROPERTY OF COSMO PLASTICS, INC. AND SHALL NOT BE REPRODUCED OR COPIED IN ANY MANNER WITHOUT THE WRITTEN PERMISSION OF CHRISTIE ELECTRIC CORP.



MFG.: COSMO PLASTICS  
P/N : 2-3873-0-000-00-0-1

ITEM NO.	DESCRIPTION	MATERIAL SPECIFICATION	ITEM NO.
PARTS LIST			
CONTRACT NO.		DATE	
APPROVALS		DATE	
APPROVED		10-12-84	
TESTED			
MATERIAL		NYLON GLASS FILLED	
FINISH		NONE	
APPLICATION		COIL SOLENOID	
NEXT ASSY		P-35 PROJ.	
SCALE		N/A	
SIZE		FSCM NO.	
A		587210-001	
REV.		A	
SHEET		1 OF 1	

**CHRISTIE**  
INCORPORATED

BOBBIN

REG. #	MODEL # P35	DATE REQ'D
W.O. #	QTY	

ITEM NO.	PART NO.	QTY. REQ. ASSY	QTY. REQ.	QTY. ISSUED	QTY. SHI.	REC. SPARE PTS.	PART NAME	B-H P/N
1	120757-001	1					Panel 8,500 x 6,568 (CEC Blue)	
2	120758-001	1					Panel 13,750 x 5,250 (CEC Blue, Char. White)	
3	120763-001	1					Assembly Weldment (CEC Blue, Char. White)	
4	120764-001	1					Hinge 5,125 x 1,250 (CEC Blue)	
5	515310-013	3					Rivet, Pop, 1/8 x 0,304, Aluminum	

REV .	ECO	B	POSTED	MAT. ISSUED
A	21121		BY	DATE

THESE DRAWINGS AND SPECIFICATIONS ARE THE PROPERTY OF CHRISTIE ELECTRIC CORP AND SHALL NOT BE REPRODUCED, OR COPIED OR USED AS THE BASIS FOR THE MANUFACTURE, PROCUREMENT OR SALE OF APPARATUS WITHOUT PERMISSION.

ASSEMBLY NAME			MODEL # P35
ASSEMBLY ENCLOSURE			DATE REQ'D
G.#	QTY		

EM IO.	PART NO.	QTY. PER ASS'Y	QTY. REQ.	QTY. ISSUED	QTY. SHIP.	REC. SPARE PTS.	PART NAME	B-H P/N
	120757-002	1					Panel 8.500 x 6.568 (Beige)	
	120758-002	1					Panel 13.750 x 5.250 (Beige, Char, Brown)	
	120763-002	1					Assembly Weldment (Beige, Char, Brown)	
	120764-002	1					Hinge 5.125 x 1.250 (Beige)	
	515310-013	3					Rivet, Pop, 1/8 x 0.304, Aluminum	

THESE DRAWINGS AND SPECIFICATIONS ARE THE PROPERTY OF CHRISTIE ELECTRIC CORP. AND SHALL NOT BE REPRODUCED, COPIED, OR USED AS THE BASIS FOR THE MANUFACTURE, PROCUREMENT OR SALE OF APPARATUS WITHOUT PERMISSION.

EV	ECO	3	POSTED	MAT. ISSUED
A	21121		BY	BY
			DATE	DATE





SHEET		REG. #		W.O. #		ASSEMBLY NAME		HARNESS		MODEL #		DATE REQ'D	
1						ASSEMBLY NAME		HARNESS		P35		DATE REQ'D	
ITEM NO.	PART NO.	QTY. PER ASSY	QTY. REQ.	QTY. ISSUED	QTY. SHI.	REC. SPARE PIS.	PART NAME						
1	507703-131	1.5	Ft				Tubing-Insulator, .13Dia Vinyl Glass, Black, #8						
2	507703-162	.5	Ft				Tubing-Insulator, .16Dia Vinyl Glass, #6						
3	507703-202	.5	Ft				Tubing-Insulator, .20Dia Vinyl Glass, #4						
4	507703-382	1.75	Ft				Tubing-Insulator, .38Dia Vinyl Glass, #3/8						
5	507717-181	.75	Ft				Tubing-Insulator, Heat Shrink, 3/16, Black						
6	511327-201	23	Ft				Wire, Stranded, 20 AWG, White						
7	518900-009	1					Tie-Wrap, Small						
8	524620-015	1					Cabel Clamp, CPC Size 11, Black	AMP 206062-1					
9	524620-016	1					Cabel Clamp, CPC Size 17, Black	AMP 206070-1					
10	524640-046	1					Plug, Male, 4 Contacts, Black	AMP 206060-1					
11	524640-050	1					Receptacle, Female, 14 Contacts, Black	AMP 206044-1					
12	524680-019	10					Pin, Male, 26-20 AWG, 13 A						
13	524680-020	4					Pin, Female, 26-20 AWG, 13A						
14	583218-012	6					Lug, Quick Connect, 3/16, Red						
REV	ECO							POSTED		MAT. ISSUED			
A								BY		BY			DATE

THESE DRAWINGS AND SPECIFICATIONS ARE THE PROPERTY OF CHRISTIE ELECTRIC CO. AND SHALL NOT BE REPRODUCED OR COPIED OR USED AS THE BASIS FOR THE MANUFACTURE, PROCUREMENT OR SALE OF APPARATUS WITHOUT PERMISSION.



G. #		ASSEMBLY NAME		CEC AUTO TURRET CONTROL		MODEL # P35	
D. #		QTY. PER. ASSY		QTY. REQ.		QTY. ISSUED	
PART NO.		QTY. SHI.		REC. SPARE PTS.		PART NAME	
120769-001	1					Assembly Enclosure	Carling
578732-009	1					Switch, ON/OFF/ON, Momentary, 15A, 125V	6EC53-73 tabs
546300-049	1					Fuse Holder	Little Fuse
546103-012	1					Fuse, 3AG, 3A, 1-1/4 x 1/4	342838
546700-020	1					LED Assembly, Green, 2Volt	Little Fuse
523640-048	1					Plug, Male, 14 Circuits	313003
524680-020	10					Pin, Female, 13A (for P2)	1DI
524212-002	1					Plug, Male, 12 Circuits w/mtg ears, 7.5A 250V	5100H5
524680-021	13					Pin, Male, 7.5A, 250V (for J1 and P4)	AMP
530503-002	1					Capacitor, 3MF, 250V	206043-1
583218-011	7					Lug, Q.C., Red, Size 1/4, 22-18 AWG	AMP
583218-012	2					Lug, Q.C., Red, Size 3/16, 22-18 AWG	#66183-1
524640-054	1					Plug, Male, 2 Circuits	Molex
524680-022	2					Pin, Female, 7.5A, 250V (for P4)	#03-09-2122
507717-181	0.3					Tubing, Shrink, Black, 3/4 inch lg., 4 Pcs.	Molex
571000-023	3					Socket, Relay, Solder Lugs	#03-09-1022
571312-001	3					Relay, 3PDT, 3A, 12V Coil	Molex
586420-402	2					Terminal Strip, 4 Solder Term, Incl. Ground	#02-09-1118

EV	ECO	POSTED	MAT. ISSUED
BY	DATE	BY	DATE

THESE DRAWINGS AND SPECIFICATIONS ARE THE PROPERTY OF CHRISTIE ELECTRIC CORP. AND SHALL NOT BE REPRODUCED, COPIED, OR USED AS THE BASIS FOR THE MANUFACTURE OF APPARATUS WITHOUT PERMISSION.

CEC AUTO TURRET CONTROL

MODEL # P35  
QTY  
DATE REC'D

ITEM NO.	W.O. #	PART NO.	QTY. PER ASSY	QTY. REC'D	QTY. ISSUED	QTY. SHIP.	REG. SPARE PIS.	PART NAME	Ohmite //RC20GF181K H.H. Smith #2175 1N4004 Panduit Stancor P8392 Chem-Con. SL200V22105X45 Chem-Con. Westinghouse 1N5404 Ohmite #RC20GF224K	R4 CR7, CR8 T1 C2, C3 C1 CR1-CR6 R1-R3
19		555001-055	1					Resistor, 180 Ohm, 1/2W		
20		518506-082	2					Grommet		
21		541146-003	2					Diode, 1A, 400V		
22		518900-015	1					Cable Tie Mtg., 3/4" SQ		
23		587700-066	1					Transformer, Pri.115V 50/60 Hz, Sec.12V 700mA		
24		530122-104	2					Capacitor, 220 MF, 200V		
25		530147-108	1					Capacitor, 470 MF, 200V		
26		541146-009	6					Diode, 3A, 400V		
27		555001-129	3					Resistor, 220K, 1/2W		
28		518900-009	28					Tie-wrap, Small		
29		598931-420	21					Screw, Pan Head, Phillips, 6-32 x 3/8		
30		598931-419	21					Nut, Hex, Keps, #6-32		
31		598931-068	8					Washer, Plain Flat, #6		
32		598931-078	4					Screw, Pan Head, Phillips, 8-32 x 3/8		
33		598931-074	4					Washer, Plain Flat #8		
34			1					PC Board,	Cutler Hammer #8411K11	S1
35		578000-071	1					Switch, Push Button, N.O., SPSI, 3A, 125V	Grey Hill #10C1015	
36		578100-016	1					Switch guard		

REV	ECO	DATE	BY	DATE	POSTED	BY	DATE	MAT. ISSUED
A	B	21252						
	C							

THESE DRAWINGS AND SPECIFICATIONS ARE THE PROPERTY OF CHRISTIE ELECTRIC CORP AND SHALL NOT BE REPRODUCED, OR COPIED OR USED AS THE BASIS FOR THE MANUFACTURE, PROCUREMENT OR SALE OF APPARATUS WITHOUT PERMISSION.

ASSEMBLY NAME

TURRET CONTROL

MODEL # P35

QTY DATE REQ'D

PART NO.	QTY. PER ASS'Y	QTY. REQ'D	QTY. ISSUED	QTY. SHI.	REC. SPARE PIS.	PART NAME	
120769-002	1					Assembly Enclosure	Carling 6FC53-731ABS S1, S2
578732-009	2					Switch, ON/OFF, Momentary, 15A, 125V	Little Fuse 342838
546300-049	1					Fuse Holder	Little Fuse 313003 F1
546103-012	1					Fuse, 3AG, 3Amperes, 1-1/4 X 1/4	IDI
546700-050	1					LED Assembly, Red/Green, 2 Volt	5100H 1/5 D9 AMP.
524640-048	1					Plug, Male, 14 Circuits	206043-1 P2
524680-020	10					Pin, Female, 13A (for P2)	Molex #03-09-2122 J1
524212-002	1					Plug, Male, 12 Circuits, W/Mtg. Ears	Molex #02-09-2118
524680-021	14					Pin, Male, 7.5A, 250 V, (for j1 and P4)	Industr. Int'l 33LCP7-300 C4
530503-002	1					Capacitor, 3MF, 250V	
583218-011	8					Lug, QC, Red, Size #1/4, 22-18 AWG.	
583218-012	2					Lug, QC, Red, Size #3/16, 22-18 AWG.	
524640-054	1					Plug, Male, 2 Circuits	Molex #03-09-1022 P4 Molex #02-09-1118
524680-022	2					Pin, Female, 7.5A, 250V, (for P4)	
507717-181	0.8					Tubing, Shrink, Black, 3/4 inch long, 11Pcs.	
571000-023	3					Socket, Relay, Solder Lugs	Guardian 1510-1ST
571312-001	3					Relay, 3PDT, 3A, 12V Coil	Guardian 1510 Series K1-K3
571000-024	1					Socket, Relay, Solder Lugs	Cust. Connector MR14-SLD
571000-028	1					Spring, Held down, Relay (K4)	1 dec #SY4S-51F3

THESE DRAWINGS AND SPECIFICATIONS ARE THE PROPERTY OF CHRISTIE ELECTRIC CORP. AND SHALL NOT BE REPRODUCED, COPIED, OR USED AS THE BASIS FOR THE MANUFACTURE, PROCUREMENT OR SALE OF APPARATUS WITHOUT PERMISSION.

ECO	B	22266	DATE
BY			
POSTED			
MAT. ISSUED			

REG. #		ASSEMBLY NAME		TURRET CONTROL		MODEL #	DATE REC'D
W.O. #	PART NO.	QTY. PER ASSY	QTY. REQ.	QTY. ISSUED	QTY. SHI.	REC. SPARE PIS.	PART NAME
20	571203-007	1					Relay, 2 Pole, Latching Idec RY2KS-AC120 H.H. Smith No. 850 K4
21	586420-402	2					Terminal Strip, 4 Terminals, Solder, Incl. Grd. Ohmite #RC20GF181K R4
22	555001-055	1					Resistor, Fixed, 180 Ohm, 1/2 Watt H.H. Smith #2175
23	518506-082	2					Grommet 1N4004 D7, D8
24	541146-003	2					Diode, 1A, 400 Volt Panduit
25	518900-015	1					Cable Tie Mounting, 3/4 Sq mA Stancor P-8392 T1
26	587700-066	1					Transformer, Pri. 115V, 50/60 Hz., Sec. 12V, 700
27		1					Vector Board, .100 spacing, 6-1/2 X 2-1/4
28	530122-104	2					Capacitor, 220 MF, 200V Chemi-Con SL200V22105X45 C2, C3
29	530147-108	1					Capacitor, 470 MF, 200V Chemi-Con C1
30	541146-009	6					Diode, 3A, 400 Volt Westinghouse 1N5404 D1-D6
31	555001-129	3					Resistor, Fixed, 220K Ohm, 1/2 Watt Ohmite #RC20GF224K R1-R3
32	518900-009	28					Tie-Wrap, Small Fastner Suppl. SS-48152
33	515000-089	1					Plug, Button, for 1/2 inch hole
34	598931-420	21					Screw, Pan Head, Phill., 6-32 x 3/8
35	598931-419	21					Nut, Hex, Keps. #6-32
36	598931-078	4					Screw, Pan Head, Phill., 8-32 x 3/8
37	598931-074	4					Washer, Plain Flat, #8
38	598931-068	8					Washer, Plain Flat, #6

THESE DRAWINGS AND SPECIFICATIONS ARE THE PROPERTY OF CHRISTIE ELECTRIC CO. AND SHALL NOT BE REPRODUCED, OR COPIED OR USED AS THE BASIS FOR THE MANUFACTURE, PROCUREMENT OR SALE OF APPARATUS WITHOUT PERMISSION.

REV	ECO	POSTED	MAT. ISSUED
		BY	DATE
		BY	DATE

MODEL # P35  
QTY DATE REC'D

ASSEMBLY NAME  
CEC AUTO TURRET CONTROL No.2

PART NO.	QTY. PER ASS'Y	QTY. REQ.	QTY. ISSUED	QTY. SHI.	REC. SPARE PTS.	PART NAME	
120769-003	1					Enclosure Assembly	Carling 6FC53-73TABS S1, S2
578732-009	2					Switch, ON/OFF/ON, Momentary, 15A, 125V	Little Fuse 342838
546300-049	1					Fuse Holder	Little Fuse F1 31003
546103-012	1					Fuse, 3AG, 3A, 1-1/4 x 1/4	IDI
546700-050	1					LED Assembly, Red/Green, 2Volt	5100H 1/5 D9 AMP
524640-048	1					Plug, Male, 14 Circuits	206043-1 P2 AMP
534680-020	10					Pin, Female, 13A (for P2)	#66183-1
524212-002	1					Plug, Male, 12 Circuits	Molex #03-09-2122 J1
524680-021	14					Pin, Male, 7.5A (for J1 and P4)	Molex #02-09-2118
530503-002	1					Capacitor, 3MF, 250V	Industr. Int'l. 33LCP7-300 C4
583218-011	8					Lug, Q.C., Red, Size 1/4, 22-18 AWG	
583218-012	2					Lug, Q.C., Red, Size 3/16, 22-18AWG	
524640-054	1					Plug, Male, 2 Circuits	Molex #03-09-1022 P4
524680-022	2					Pin, Female, (for P4)	Molex #02-09-1118
507717-181	0.8					Tubing, Shrink, Black, 3/4 inch, 11 Pcs.	
571000-023	3					Socket Relay, Solder Lugs	Guardian 1510-1ST
571312-001	3					Relay, 3PDT, 3A, 12V coil	Guardian 1510Series K1-K3
571000-024	1					Socket Relay, Solder Lugs	Cust. Conn. MR14-SLD
571000-028	1					Spring, Hold Down Relay (K4)	Idac #SY4S-51F3

THESE DRAWINGS AND SPECIFICATIONS ARE THE PROPERTY OF CHRISTIE ELECTRIC CORP. AND SHALL NOT BE REPRODUCED OR COPIED, OR USED AS THE BASIS FOR THE MANUFACTURE, PROCUREMENT OR SALE OF APPARATUS WITHOUT PERMISSION.

EV	ECO	POSTED	MAT. ISSUED
		BY	DATE

REG. #		ASSEMBLY NAME		CEC AUTO TURRET CONTROL No. 2		MODEL # P35		DATE REC'D	
W.O. #	ITEM NO.	PART NO.	QTY. PER ASSY	QTY. REQ.	QTY. ISSUED	QTY. SHI.	REC. SPARE PIS.	PART NAME	
	20	571203-007	1					Relay, 2 Pole Latching	IDEC RY2KS-AC120 K4
	21	586420-402	2					Terminal Strip, 4 Solder Term, Incl. Ground	H.H. Smith No. 850
	22	555001-055	1					Resistor, 180 Ohm, 1/2W	Ohmite #RC20GF181K R4
	23	518506-082	2					Grommet	H.H. Smith #2175
	24	541146-003	2					Diode, 1A, 400V	1N4004 D7, D8
	25	518900-015	1					Cable Tie, Mtg., .75" SQ.	Panduit Stancor P-8392 T1
	26	587700-066	1					Transformer, Pri. 115V 50/60Hz, Sec. 12V 700 mA	
	27		1					Vector Board, .100 Spacing, 6 1/2 x 2 1/4	
	28	530122-104	2					Capacitor, 220 mF, 200V	Chemi-Con. SL200V22105X45 C2, C3
	29	530147-108	1					Capacitor, 470 mF, 200V	Chemi Con. C1
	30	541146-009	6					Diode, 3A, 400V	Westinghouse 1N5404 D1-6
	31	555001-129	3					Resistor, 220K Ohm, 1/2W	Ohmite #RC20GF224K R1-3
	32	518900-009	28					Tie-Wrap, Small	Fastner Suppl. SS-48152
	33	515000-089	1					Plug, Button for 1/2 inch hole	
	34	598931-420	21					Screw, Pan Head, Phil. 6-32 x 3/8	
	35	598931-419	21					Nut, Hex Keps, 6-32	
	36	598931-078	4					Screw, Pan Head, Phil. 8-32 x 3/8	
	37	598931-074	4					Washer, Plain Flat, #8	
	38	598931-068	8					Washer, Plain Flat #6	

THESE DRAWINGS AND SPECIFICATIONS ARE THE PROPERTY OF CHRISTIE ELECTRIC CORP AND SHALL NOT BE REPRODUCED, OR COPIED OR USED AS THE BASIS FOR THE MANUFACTURE, PROCUREMENT OR SALE OF APPARATUS WITHOUT PERMISSION.

REV	ECO	POSTED	MAT. ISSUED
		BY	DATE
		BY	DATE

EM O.	PART NO.	QTY. PER ASSY	QTY. REQ.	QTY. ISSUED	QTY. SMT.	REC. SPARE PTS.	PART NAME	B-H P/N
	120769-004	1					Assembly Enclosure	Carling
	578732-009	3					Switch, ON/OFF/ON, Momentary	6FC53-73 TABS S1,2,3
	546300-049	1					Fuse Holder	Little Fuse 342838
	546103-012	1					Fuse, 3AG, 3A Slow Blow, 1-1/4 x 1/4	Little Fuse 313003 F1
	546700-050	1					LED Assembly, Red/Green, 2Volt	5100H 1/5 LED 1
	524640-048	1					Plug, Male, 14 Circuits	AMP 206043-1 P2
	524680-020	7					Pin, Female, 13A (For P2)	AMP 66183-1
	524212-002	1					Plug, Male, 12 Circuits	Molex #03-09-2122 J1
	524680-021	13					Pin, Male, 7.5A, 250V (For J1 and P4)	Molex #02-09-2118
	530503-002	1					Capacitor, 3MF, 250V (For Turret Motor)	Shi Suki SJG.F609 C2
	583218-011	11					Lug, OC., Red, Size 1/4, 22-18 AWG	
	583218-012	4					Lug, OC., Red, Size 3/16, 22-18 AWG	
	524640-054	1					Plug, Male, 2 Circuits	Molex #03-09-1022 P4
	524680-022	2					Pin, Female, 7.5A, 250V (For P4)	Molex #02-09-1118
	571000-026	5					Socket, Relay	Idec #SY4S-51
	517717-181	0.9					Tubing, Shrink, Black, 3/4 Inch x 13 Pcs.	Idec
	571000-027	1					Socket, Relay	//SH2B-51
	571210-030	1					Relay, DPDT, 12VAC Coil, 10A	Idec #RH-2B-U-12AC K1

THESE DRAWINGS AND SPECIFICATIONS ARE THE PROPERTY OF CHRISTIE ELECTRIC CORP. AND SHALL NOT BE REPRODUCED, COPIED, OR USED IN ANY MANNER WITHOUT THE MANUFACTURER'S PERMISSION OR SALE APPARATUS WITHOUT PERMISSION.

EV	ECO	B	22266	POSTED	MAT. ISSUED
A		C		BY	DATE

ASSEMBLY NAME: AUTO TURRET CONTROL No.3  
 MODEL # P35  
 QTY  
 DATE REQ'D

ITEM NO.	PART NO.	QTY. PER ASSY	QTY. REQ.	QTY. ISSUED	QTY. SHI.	REC. SPARE PIS.	PART NAME	B-H P/N
19	571405-005	2					Relay, 4PDT, 12VAC Coil, 5A Cont.	Idec //RY4S-U-12AC K2,3
20	571203-007	1					Relay, DPDT, Latching, 5A Cont.	Idec //RY2KS-AC120 K4
21	571305-003	2					Relay, 3PDT, Time Delay, Adjustable 0-10 Sec.	Idec //RTY-5S-AC120 TD1,2
22	586420-402	2					Terminal Strip, 4 Solder Term. Incl. GRD.	H. H. Smith No. 850
23	555001-055	1					Resistor, 180 Ohm, 1/2W	Ohmite #RC20GF181K R2
24	518506-082	2					Grommet, For 1/2 Inch Mounting Hole	H. H. Smith #2175 CR3,4
25	541146-003	2					Diode, 1A, 400V	1N4004
26	518900-015	1					Cable Tie, Mounting, 3/4SQ	Panduit Stancor P-8392 T1
27	587700-066	1					Transformer, Pri. 115V 50/60Hz, Sec. 12V 700mA	
28		1					P.C. Board	ShiSuki SJG.F216 C3
29	530523-601	1					Capacitor, 2.3MF, 250V (For Aperture Motor)	
30	530147-108	1					Capacitor, 470MF, 200V	Westinghouse 1N5404 CR1,2
31	541146-009	2					Diode, 3A, 400V	Ohmite #RC20GF224K R1
32	555001-129	1					Resistor, 220K Ohm, 1/2W	
33	518900-009	30					Tie-Wrap, Sma	
34	598931-420	11					Screw, Pan Head, Phillips, 6-32 x 3/8	
35	598931-419	11					Nut, Hex, Keps, 6-32	
36	598931-068	8					Washer, Flat, Plain, #6	

REV	ECO	POSTED	MAT. ISSUED
		BY	DATE

THESE DRAWINGS AND SPECIFICATIONS ARE THE PROPERTY OF CHRISTIE ELECTRIC CO. AND SHALL NOT BE REPRODUCED OR COPIED OR USED AS THE BASIS FOR THE MANUFACTURE, PROCUREMENT OR SALE OF APPARATUS WITHOUT PERMISSION.



MODEL # P35  
 QTY          DATE REQ'D         

ASSEMBLY NAME  
**AUTO TURRET CONTROL No.3**

PART NO.	QTY. PER ASSY	QTY. REQ.	QTY. ISSUED	QTY. SHI.	REC. SPARE PTS.	PART NAME	B-H P/N
598931-078	4					Screw, Pan Head, Phillips, 8-32 x 3/8	
598931-074	4					Washer, Flat, Plain, #8	1dec
571000-028	1					Spring, Hold Down Relay (K4)	#SY4S-51F3

THESE DRAWINGS AND SPECIFICATIONS ARE THE PROPERTY OF CHRISTIE ELECTRIC CORP. AND SHALL NOT BE REPRODUCED OR COPIED OR USED AS THE BASIS FOR THE MANUFACTURE, PROCUREMENT OR SALE OF APPARATUS WITHOUT PERMISSION.

POSTED	MAT. ISSUED
BY <u>        </u>	BY <u>        </u>
DATE <u>        </u>	DATE <u>        </u>

ECO	

05/28/87

(87148)

CHRISTIE INC.

PART NARRATIVE

PART NUMBER 120648-001

DESCRIPTION  
P35 STD. MONO 60 HZ

P35 STANDARD PROJECTOR  
WITH STEREO SOUNDHEAD  
115 VAC, 1.5 Amp., 60 Hz  
SYSTEM SCHEMATIC P/N: 502901

NEXT REQUEST CODE DESIRED

MODEL # P35

DATE REQ'D

P35 STANDARD, MONO, 60HZ ASSEMBLY

ASSEMBLY NAME

QTY

QTY. PER ASSY	QTY. REQ.	QTY. ISSUED	QTY. SHIP.	REC. SPARE PTS.	PART NAME	B-H P/N
1					Belt Area Cover	
1					Aperture Plate, Dual	7812154
1					Flywheel, Sound Drum	7812248
1					Lens Adapter Assembly	7812163
1					Lens Mounting and Focus Assembly	7812170
1					Nameplate	
1					Solar Cell Assembly	7812272
1					Accessory Kit	7812315
1					Harness Assembly	7812316
1					Curved Trap And Gate Assembly, Manual	7812480
1					Sound Damper, Panel	
1					P35 Basic Assembly	
1					Label TB1	
1					Label, Termination for TB1	
1					Box 18x19x30	
2					1/4 Turn Fastener	
4					Cable Clamp, 1/4"	
2					Snap Ring	

THESE DRAWINGS AND SPECIFICATIONS ARE THE PROPERTY OF CHRISTIE ELECTRIC CORP. AND SHALL NOT BE REPRODUCED, COPIED, OR USED AS THE BASIS FOR THE MANUFACTURE, PROCUREMENT OR SALE OF APPARATUS WITHOUT PERMISSION.

ECO	B	C	D	E	F	POSTED	MAT. ISSUED
					22297		BY
					22198		

**ALL OF MATERIAL**

SHEET 2      **P35 STANDARD, MONO, 60HZ ASSEMBLY**

REG. # \_\_\_\_\_      MODEL # **P35**      DATE REQ'D \_\_\_\_\_

W.O. #	ASSEMBLY NAME	QTY. PER ASS'Y	QTY. REQ.	QTY. ISSUED	QTY. SHI.	REC. SPARE PYS.	PART NAME
19		3					Cable Clamp, 3/16"
20		7					Screw, Pan Head, Phil., 8-32 x 3/8
21		2					Screw, Socket Head Cap. Hex Socket, 8-32x1/4
22		7					Terminal, Double Row
23		1					End Piece, Terminal Board
24		1					Instruction Manual
25		-					Schematic
26		2					Screw, Button Head, Hex Socket, 4-40 x 1/4

REV ECO      POSTED      MAT. ISSUED      BY      DATE

THESE DRAWINGS AND SPECIFICATIONS ARE THE PROPERTY OF CHRISTIE ELECTRIC CORP AND SHALL NOT BE REPRODUCED, OR COPIED OR USED AS THE BASIS FOR THE MANUFACTURE, PROCUREMENT OR SALE OF APPARATUS WITHOUT PERMISSION.

05/28/87

(87148)

CHRISTIE INC.

PART NARRATIVE

PART NUMBER 120648-002

DESCRIPTION  
P35 STD. STEREO 60 HZ

P35 STANDARD PROJECTOR  
WITH STEREO SOUNDHEAD  
115 VAC, 1.5 Amp., 60 Hz  
SYSTEM SCHEMATIC P/N: 502901

NEXT REQUEST CODE DESIRED

SHEET # 2		BILL OF MATERIAL		ASSEMBLY NAME		MODEL # P35		DATE REQ'D	
ASSEMBLY # PL-1206		P35 STANDARD, STEREO, 60Hz ASSY		QTY		DATE REQ'D			
W.O. #	ITEM NO.	PART NO.	QTY. REQ. ASSY	QTY. ISSUED	QTY. SHIP.	REC. SPARE PTS.	PART NAME	B-H P/N	
	1	120799-001	1				Belt Area Cover		
	2	119050-001	1				Aperture Plate, Dual	7812154	
	3	119166-001	1				Flywheel, Sound Drum	7812248	
	4	119238-001	1				Lens Adapter Assembly	7812163	
	5	119239-001	1				Lens Mounting and Focus Assembly	7812170	
	6	114824-001	1				Nameplate		
	7	119248-002	1				Solar Cell Assembly	7812272	
	8	119252-001	1				Accessory Kit	7812315	
	9	119253-001	1				Harness Assembly	7812316	
	10	120649-001	1				Curved Trap And Gate Assembly, Manual	7812480	
	11	120818-001	1				Sound Damper, Panel		
	12	121045-001	1				P35 Basic Assembly		
	13	121114-001	1				Label TBI		
	14	121187-001	1				Label, Termination for TBI		
	15	194181-001	1				Box 18x19x30		
	16	598931-224	2				1/4 Turn Fastener		
	17	598931-245	4				Cable Clamp, 1/4"		
	18	598931-246	2				Snap Ring		

THESE DRAWINGS AND SPECIFICATIONS / THE PROPERTY OF CHRISTIE ELECTRIC CO AND SHALL NOT BE REPRODUCED, OR COPIED OR USED AS THE BASIS FOR THE MANUFACTURE, PROCUREMENT OR SALE OF APPARATUS WITHOUT PERMISSION.

REV	ECO	B	D	F	POSTED	MAT. ISSUED
A			E	22198	BY	BY
				22297	DATE	DATE

ASSEMBLY NAME P35 STANDARD, STEREO, 60HZ ASSY. DATE REQ'D

PART NO.	QTY. PER ASS'Y	QTY. REQ.	QTY. ISSUED	QTY. SHIP.	REC. SPARE PIS.	PART NAME
598931-276	3					Cable Clamp, 3/16"
598931-078	7					Screw, Pan Head, Phil., 8-32 x 3/8
515500-099	2					Screw, Socket Head Cap, Hex Socket, 8-32x1/4
586240-101	7					Terminal, Double Row
586999-001	1					End Piece, Terminal Board
TD-385	1					Instruction Manual
502901	-					Schematic
598931-249	2					Screw, Button Head, Hex Socket, 4-40 x 1/4

THESE DRAWINGS AND SPECIFICATIONS ARE THE PROPERTY OF CHRISTIE ELECTRIC CORP. AND SHALL NOT BE REPRODUCED OR COPIED, OR USED AS THE BASIS FOR THE MANUFACTURE, PROCUREMENT OR SALE OF PARTS WITHOUT PERMISSION.

ECO

POSTED	MAT. ISSUED
BY	DATE

APPROVED BY: [Signature] DATE: [Date]

05/28/87

(87148)

CHRISTIE INC.

PART NARRATIVE

PART NUMBER 120648-003

DESCRIPTION  
P35 STD. MONO 50 HZ

P35 STANDARD PROJECTOR  
WITH MONO SOUNDHEAD  
115 VAC, 1.5 Amp., 50 Hz  
SYSTEM SCHEMATIC P/N: 502901

NEXT REQUEST CODE DESIRED



MODEL # P35

ASSEMBLY NAME P35 STANDARD, MONO, 50Hz ASSEMBLY

QTY. PER ASSY	QTY. REQ.	QTY. ISSUED	QTY. SHI.	REC. SPARE PIS.	PART NAME	B-H P/N
1					Belt Area Cover	
1					Aperture Plate, Dual	7812154
1					Flywheel, Sound Drum	7812248
1					Lens Adapter Assembly	7812163
1					Lens Mounting and Focus Assembly	7812170
1					Nameplate	
1					Solar Cell Assembly	7812272
1					Accessory Kit	7812315
1					Harness Assembly	7812316
1					Curved Trap And Gate Assembly, Manual	7812480
1					Sound Damper, Panel	
1					P35 Basic Assembly	
1					Label TB1	
1					Label, Termination for TB1	
1					Box 18x19x30	
2					1/4 Turn Fastener	
4					Cable Clamp, 1/4 "	
2					Snap Ring	

THESE DRAWINGS AND SPECIFICATIONS ARE THE PROPERTY OF CHRISTIE ELECTRIC CORP. AND SHALL NOT BE REPRODUCED, COPIED, OR USED AS THE BASIS FOR THE MANUFACTURE, PROCUREMENT OR SALE OF APPARATUS WITHOUT PERMISSION.

ECO	B	D	E	F	POSTED	MAT. ISSUED
				22297		
			22198			

DATE

BY

**BILL OF MATERIAL**

REG. #	ASSEMBLY NAME	QTY. PER ASSY	QTY. REQ.	QTY. ISSUED	QTY. SHI.	REC. SPARE PIS.	PART NAME
19	W.O. #	3					Cable Clamp, 3/16 "
20		7					Screw, Pan Head, Phil., 8-32 x 3/8
21		2					Screw, Socket Head Cap, Hex Socket, 8-32x1/4
22		7					Terminal, Double Row
23		1					End Piece, Terminal Board
24		1					Instruction Manual
25		-					Schematic
26		2					Screw, Button Head, Hex Socket, 4-40 x 1/4
27		1					Plate Motor
28		1					Pulley, Modified, 29 tooth

REV	ECO	POSTED	MAT. ISSUED
		BY	BY
		DATE	DATE

THESE DRAWINGS AND SPECIFICATIONS ARE THE PROPERTY OF CHRISTIE ELECTRIC CO. AND SHALL NOT BE REPRODUCED, OR COPIED OR USED AS THE BASIS FOR THE MANUFACTURE, PROCUREMENT OR SALE OF APPARATUS WITHOUT PERMISSION.

05/28/87

(87148)

CHRISTIE INC.

PART NARRATIVE

PART NUMBER 120648-004

DESCRIPTION  
P35 STD. STEREO 50 HZ

P35 STANDARD PROJECTOR  
WITH STEREO SOUNDHEAD  
115 VAC, 1.5 Amp., 50 Hz  
SYSTEM SCHEMATIC P/N: 502901

NEXT REQUEST CODE DESIRED



ASSEMBLY NAME P35 STANDARD, STEREO. 50Hz ASSEMBLY

MODEL # P35

QTY DATE REC'D

O. #	PART NO.	QTY. PER ASSY	QTY. REQ.	QTY. ISSUED	QTY. SHIP.	REC. SPARE PYS.	PART NAME
2	598931-276	3					Cable Clamp, 3/16 "
0	598931-078	7					Screw, Pan Head, Phil., 8-32 x 3/8
1	515500-099	2					Screw, Socket Head Cap, Hex Socket, 8-32x1/4
2	586240-101	7					Terminal, Double Row
3	586999-001	1					End Piece, Terminal Board
	TD-385	1					Instruction Manual
	502901	-					Schematic
6	598931-249	2					Screw, Button Head, Hex Socket, 4-40 x 1/4
7	119293-002	1					Plate Motor
8	119976-001	1					Pulley, Modified, 29 Tooth

EV	ECO	BY	DATE	POSTED	BY	DATE	MAT. ISSUED

THESE DRAWINGS AND SPECIFICATIONS ARE THE PROPERTY OF CHRISTIE ELECTRIC CORP. AND SHALL NOT BE REPRODUCED, OR COPIED, OR USED AS THE BASIS FOR THE MANUFACTURE, PROCUREMENT OR SALE OF APPARATUS WITHOUT PERMISSION.

05/28/87

(87148)

CHRISTIE INC.

PART NARRATIVE

PART NUMBER 121046-001

DESCRIPTION  
P35 MAN. TUR. M 60 HZ

P35 MANUAL TURRET PROJECTOR  
WITH MONO SOUNDHEAD  
115 VAC, 1.5 Amp., 60 Hz  
SYSTEM SCHEMATIC P/N: 502901

NEXT REQUEST CODE DESIRED

MODEL # P35  
QTY DATE REQ'D

ASSEMBLY NAME  
P35 MANUAL TURRET, MONO, 60Hz ASSEMBLY

EM D.	PART NO.	QTY. PER ASSY	QTY. REQ.	QTY. ISSUED	QTY. SHT.	REC. SPARE PTS.	PART NAME	B-H P/N
	120799-001	1					Belt Area Cover	
	119050-001	1					Aperture Plate, Dual	7812154
	119166-001	1					Flywheel, Sound Drum	7812248
	114824-001	1					Nameplate	
	119248-001	1					Solar Cell Assembly	7812272
	119252-001	1					Accessory Kit	7812315
	119253-001	1					Harness Assembly	7812316
	120168-001	1					Turret, Manual for 2.70mm lenses	7812360
	120649-001	1					Curved Trap and Gate Assembly, Manual	7812480
	120818-001	1					Sound Damper, Panel	
	121045-001	1					P35 Basic Assembly	
	121114-001	1					Label IB1	
	121187-001	1					Label Termination for IB1	
	194181-001	1					Box 18x19x30	
	598931-224	2					1/4 Turn Fastener	
	598931-245	4					Cable Clamp, 1/4"	
	598931-246	2					Snap Ring	
	598931-276	3					Cable Clamp, 3/16"	

EV	ECO	B	C	D	E	F	POSTED	MAT. ISSUED
A						22297	BY	DATE
						22198	BY	DATE

THESE DRAWINGS AND SPECIFICATIONS ARE THE PROPERTY OF CHRISTIE ELECTRIC CORP. AND SHALL NOT BE REPRODUCED, COPIED, OR USED AS THE BASIS FOR THE MANUFACTURE, PROCUREMENT OR SALE OF APPARATUS WITHOUT PERMISSION.





05/28/87

(87148)

CHRISTIE INC.

PART NARRATIVE

PART NUMBER 121046-002

DESCRIPTION  
P35 MAN. TUR. S 60 HZ

P35 MANUAL TURRET PROJECTOR  
WITH STEREO SOUNDHEAD  
115 VAC, 1.5 Amp., 60 Hz  
SYSTEM SCHEMATIC P/N: 502901

NEXT REQUEST CODE DESIRED





05/28/87

(87148)

CHRISTIE INC.

PART NARRATIVE

PART NUMBER 121046-003

DESCRIPTION

P35 MAN. TUR. M 50 HZ

P35 MANUAL TURRET PROJECTOR  
WITH MONO SOUNDHEAD  
115 VAC, 1.5 Amp., 50 Hz  
SYSTEM SCHEMATIC P/N: 502901

NEXT REQUEST CODE DESIRED

ASSEMBLY NAME  
P35 MANUAL TURRET, MONO, 50HZ ASSEMBLY

MODEL # P35

QTY DATE REQ'D

EM O.	PART NO.	QTY. PER ASS'Y	QTY. REQ.	QTY. ISSUED	QTY. SHIP.	REC. SPARE PTS.	PART NAME	B-H P/N
	120799-001	1					Belt Area Cover	
	119050-001	1					Aperture Plate, Dual	7812154
	119166-001	1					Flywheel, Sound Drum	7812248
	119247-001	1					Motor Assembly, 50Hz	7812249-1
	119248-001	1					Solar Cell Assembly	7812272
	119252-001	1					Accessory Kit	7812315
	119253-001	1					Harness Assembly	7812316
	120168-001	1					Turret, Manual for 2 70mm lenses	7812360
	120649-001	1					Curved Trap and Gate Assembly, Manual	7812480
	120818-001	1					Sound Damper, Panel	
	121045-001	1					P35 Basic Assembly	
	121114-001	1					Label TB1	
	121187-001	1					Label Termination for TB1	
	194181-001	1					Box 18x19x30	
	598931-224	2					1/4 Turn Fastener	
	598931-245	4					Cable Clamp, 1/4 "	
	598931-246	2					Snap Ring	
	598931-276	3					Cable Clamp, 3/16	

THESE DRAWINGS AND SPECIFICATIONS ARE THE PROPERTY OF CHRISTIE ELECTRIC CORP. AND SHALL NOT BE REPRODUCED, COPIED, OR USED AS THE BASIS FOR THE MANUFACTURE, PROCUREMENT OR SALE OF APPARATUS WITHOUT PERMISSION.

EV	ECO	B	C	D	E	F	POSTED	MAT. ISSUED
						22297	BY	DATE
A						22198	BY	DATE



05/28/87

(87148)

CHRISTIE INC.

PART NARRATIVE

PART NUMBER 121046-004

DESCRIPTION  
P35 MAN. TUR. S 50 HZ

P35 MANUAL TURRET PROJECTOR  
WITH STEREO SOUNDHEAD  
115 VAC, 1.5 Amp., 50 Hz  
SYSTEM SCHEMATIC P/N: 502901

NEXT REQUEST CODE DESIRED

Equipment  
Location  
Inventory  
Status  
Remarks  
Date  
By  
Initials

11

ITEM NO.	PART NO.	QTY. REQ.	QTY. ISSUED	QTY. SHI.	REC. SPARE PTS.	PART NAME	B-H P/N
1	120799-001	1				Belt Area Cover	
2	119050-001	1				Aperture Plate, Dual	7812154
3	119166-001	1				Flywheel, Sound Drum	7812248
4	114824-001	1				Nameplate	
5	119248-002	1				Solar Cell Assembly	7812272
6	119252-001	1				Accessory Kit	7812315
7	119253-001	1				Harness Assembly	7812316
8	120168-001	1				Turret, Manual for 2 70mm lenses	7812360
9	120649-001	1				Curved Trap and Gate Assembly, Manual	7812480
10	120818-001	1				Sound Damper, Panel	
11	121045-001	1				P35 Basic Assembly	
12	121114-001	1				Label TB1	
13	121187-001	1				Label Termination for TB1	
14	194181-001	1				Box 18x19x30	
15	598931-224	2				1/4 Turn Fastener	
16	598931-245	4				Cable Clamp, 1/4 "	
17	598931-246	2				Snap Ring	
18	598931-276	3				Cable Clamp, 3/16 "	

THESE DRAWINGS AND SPECIFICATIONS ARE THE PROPERTY OF CHRISTIE ELECTRIC AND SHALL NOT BE REPRODUCED, COPIED, OR USED AS THE BASIS FOR THE MANUFACTURE, PROCUREMENT OR SALE OF APPARATUS WITHOUT PERMISSION.

REV	ECO	B	D	F	22297	POSTED	MAT. ISSUED
A		C	E	22198		BY	DATE



ASSEMBLY NAME P35 MANUAL TURRET, STEREO, 50Hz ASSEMBLY

MODEL # P35

QTY DATE REC'D

G. #

EM O.	PART NO.	QTY. PER ASS'Y	QTY. REQ.	QTY. ISSUED	QTY. SMT.	REC. SPARE PIS.	PART NAME	B-H P/N
1	598931-078	7					Screw, Pan Head, Phil., 8-32 x 3/8	
1	515500-099	2					Screw, Socket Head Cap, Hex Socket, 8-32x1/4	
	586240-101	7					Terminal, Double Row	
1	586999-001	1					End Piece, Terminal Board	
3	TD-385	1					Instruction Manual	
4	502901	-					Shcematic	
5	598931-249	2					Screw, Button Head, Hex Socket, 4-40 x 1/4	
6	119293-002	1					Plate Motor	
7	119976-001	1					Pulley, Modified, 29 Tooth	

EV	ECO								
		POSTED	MAT. ISSUED						
		BY	DATE						

THESE DRAWINGS AND SPECIFICATIONS ARE THE PROPERTY OF CHRISTIE ELECTRIC CORP. AND SHALL NOT BE REPRODUCED, OR COPIED, OR USED AS THE BASIS FOR THE MANUFACTURE, PROCUREMENT OR SALE OF APPARATUS WITHOUT PERMISSION.

05/28/87

(87148)

CHRISTIE INC.

PART NARRATIVE

PART NUMBER 121047-001

DESCRIPTION  
P35 AUT. TUR. M 60 HZ

P35 AUTOMATIC TURRET PROJECTOR \* CEC \*  
WITH MONO SOUNDHEAD  
115 VAC, 1.5 Amp., 60 Hz  
SYSTEM SCHEMATIC P/N: 503165

NEXT REQUEST CODE DESIRED

ASSEMBLY NAME: P35 AUTO TURRET, MONO, 60Hz ASSEMBLY  
 MODEL # P35  
 QTY: \_\_\_\_\_ DATE REQ'D: \_\_\_\_\_

EM C.	PART NO.	QTY. REQ. ASST	QTY. REQ.	QTY. ISSUED	QTY. SHFT.	REC. SPARE PIS.	PART NAME	B-H P/N
	102916-010	1					Insulator Terminal Board	
	119166-001	1					Flywheel Sound Drum	7812248
	114824-001	1					Nameplate	
	119248-001	1					Solar Cell Assembly	7812272
	119252-001	1					Accessory Kit	7812315
	119253-001	1					Harness Assembly, Standard	7812316
	120789-001	1					Harness Assembly, Auto Turret	
	120791-003	1					Control Box, Auto Turret	
	120794-001	1					Bracket Enclosure	
	120799-001	1					Belt Area Cover	
	120818-001	1					Sound Damper Panel	
	121020-001	1					Curved Trap and Gate Assembly, Automatic	7812450
	121022-001	1					Automatic Turret Assembly	7812470
	121027-001	1					Solenoid, Auto Trap and Gate	7812454
	121045-001	1					P35 Basic Assembly	
	121114-001	1					Label TB1	
	121117-003	1					Plate, Aperture, Dual, Auto	7812454
	121187-001	1					Label Termination for TB1	

POSTED: \_\_\_\_\_ MAT. ISSUED: \_\_\_\_\_  
 BY: \_\_\_\_\_ DATE: \_\_\_\_\_

THESE DRAWINGS AND SPECIFICATIONS ARE THE PROPERTY OF CHRISTIE ELECTRIC CORP. AND SHALL NOT BE REPRODUCED, COPIED, OR USED AS THE BASIS FOR THE MANUFACTURE, PROCUREMENT OR SALE OF APPARATUS WITHOUT PERMISSION.

ITEM NO.	PART NO.	QTY. PER ASSY	QTY. REQ.	QTY. ISSUED	QTY. SHIP.	REC. SPARE PTS.	PART NAME	B-H P/N
19	121220-001	1					Label TB4	
20	194181-001	1					Box 18 x 19 x 30	
21	598931-245	4					Cable Clamp, 1/4"	
22	598931-276	3					Cable Clamp, 3/16"	
23	598931-078	7					Screw, Pan Head, Phil., 8-32 x 3/8	
24	598931-249	2					Screw, Button Head, Hex Socket, 4-40 x 1/4	
25								
26	515500-099	2					Screw, Socket Head Cap, Hex Socket, 8-32x1/4	
27	518504-071	1					Grommet 7/16	
28	585214-410	1					Terminal Barrier, 10 terminals	
29	586240-101	7					Terminal, Double Row	
30	586999-001	1					End Piece, Terminal Board	
31	598931-044	2					Screw, Socket Head Cap, Hex Socket, 8-32x1/2	
32	598931-082	2					Screw, Sheet Metal Pan Head, Phil., #6 x 1/4	
33	598931-224	3					Fastener, 1/4 Turn	
34	598931-246	3					Snapring for 1/4 Turn Fastener	
35	TD 385	1					Instruction Manual	
36	503165	-					Schematic	

REV	ECO	POSTED	MAT. ISSUED
		BY	DATE
		BY	DATE

THESE DRAWINGS AND SPECIFICATIONS ARE THE PROPERTY OF CHRISTIE ELECTRIC CO AND SHALL NOT BE REPRODUCED, OR COPIED OR USED AS THE BASIS FOR THE MANUFACTURE, PROCUREMENT OR SALE OF APPARATUS WITHOUT PERMISSION.

05/28/87

(87148)

CHRISTIE INC.

PART NARRATIVE

PART NUMBER 121047-002

DESCRIPTION  
P35 AUT. TUR. S 60 HZ

P35 AUTOMATIC TURRET PROJECTOR \* CEC \*  
WITH STEREO SOUNDHEAD  
115 VAC, 1.5 Amp., 60 Hz  
SYSTEM SCHEMATIC P/N: 503165

NEXT REQUEST CODE DESIRED

REG. #		ASSEMBLY NAME					MODEL # P35		DATE REQ'D	
W.O. #		PART NO.	QTY. PER ASS'Y	QTY. REQ'D	QTY. ISSUED	QTY. SHIP.	REC. SPARE PIS.	PART NAME	B-H P/N	
1	102916-010	1						Insulator Terminal Board		
2	119166-001	1						Flywheel Sound Drum	7812248	
3	114824-001	1						Nameplate		
4	119248-002	1						Solar Cell Assembly	7812272	
5	119252-001	1						Accessory Kit	7812315	
6	119253-001	1						Harness Assembly, Standard	7812316	
7	120789-001	1						Harness Assembly, Auto Turret		
8	120791-003	1						Control Box, Auto Turret		
9	120794-001	1						Bracket Enclosure		
10	120799-001	1						Belt Area Cover		
11	120818-001	1						Sound Damper Panel		
12	121020-001	1						Curved Trap and Gate Assembly, Automatic	7812450	
13	121022-001	1						Automatic Turret Assembly	7812470	
14	121027-001	1						Solenoid, Auto Trap and Gate	7812...	
15	121045-001	1						P35 Basic Assembly		
16	121114-001	1						Label IBI		
17	121117-003	1						Plate, Aperture, Dual, Auto	7812454	
18	121187-001	1						Label Termination for IBI		

THESE DRAWINGS AND SPECIFICATIONS ARE THE PROPERTY OF CHRISTIE ELECTRIC CO. AND SHALL NOT BE REPRODUCED, OR COPIED, OR USED AS THE BASIS FOR THE MANUFACTURE, PROCUREMENT OR SALE OF APPARATUS WITHOUT PERMISSION.

REV	ECO	B	D	22253	POSTED	MAT. ISSUED
A		C	E	22297	BY	DATE

ASSEMBLY NAME P35 AUTO TURRET, STEREO, 60HZ ASSY

MODEL # P35

DATE REC'D

QTY. PER ASSY	QTY. REQ.	QTY. ISSUED	QTY. SHIP.	REC. SPARE PTS.	PART NAME	B-H P/N
1					Label TB4	
1					Box 18 x 19 x 30	
4					Cable Clamp, 1/4"	
3					Cable Clamp, 3/16"	
7					Screw, Pan Head, Phil., 8-32 x 3/8	
2					Screw, Button Head, Hex Socket, 4-40 x 1/4	
2					Screw, Socket Head Cap, Hex Socket, 8-32x1/4	
1					Grommet 7/16	
1					Terminal Barrier, 10 terminals	
7					Terminal, Double Row	
1					End Piece, Terminal Board	
2					Screw, Socket Head Cap, Hex Socket, 8-32x1/2	
2					Screw, Sheet Metal Pan Head, Phil., #6 x 1/4	
3					Fastener, 1/4 Turn	
3					Snapring for 1/4 Turn Fastener	
1					Instruction Manual	
-					Schematic	

THESE DRAWINGS AND SPECIFICATIONS ARE THE PROPERTY OF CHRISTIE ELECTRIC CORP. AND SHALL NOT BE REPRODUCED, COPIED, OR USED AS THE BASIS FOR THE MANUFACTURE, PROCUREMENT OR SALE OF APPARATUS WITHOUT PERMISSION.

EV	ECO	POSTED BY	MAT. ISSUED BY	DATE

05/28/87

(87148)

CHRISTIE INC.

PART NARRATIVE

PART NUMBER 121047-003

DESCRIPTION  
P35 AUT. TUR. M 50 HZ

P35 AUTOMATIC TURRET PROJECTOR \* CEC \*  
WITH MONO SOUNDHEAD  
115 VAC, 1.5 Amp., 50 Hz  
SYSTEM SCHEMATIC P/N: 503165

NEXT REQUEST CODE DESIRED



MODEL # P35

ASSEMBLY NAME P35 AUTO TURRET, MONO, 50HZ ASSEMBLY

DATE REQ'D

QTY. PER ASS'Y

QTY. REQ.

QTY. ISSUED

QTY. SHI.

REC. SPARE PTS.

PART NAME

B-H P/N

QTY

DATE REQ'D

EM O.	PART NO.	QTY. PER ASS'Y	QTY. REQ.	QTY. ISSUED	QTY. SHI.	REC. SPARE PTS.	PART NAME	B-H P/N
	102916-010	1					Insulator Terminal Board	
	119166-001	1					Flywheel Sound Drum	7812248
	114824-001	1					Nameplate	
	119248-001	1					Solar Cell Assembly	7812272
	119252-001	1					Accessory Kit	7812315
	119253-001	1					Harness Assembly, Standard	7812316
	120789-001	1					Harness Assembly, Auto Turret	
	120791-003	1					Control Box, Auto Turret	
	120794-001	1					Bracket Enclosure	
	120799-001	1					Belt Area Cover	
	120818-001	1					Sound Damper Panel	
	121020-001	1					Curved Trap and Gate Assembly, Automatic	7812450
	121022-001	1					Automatic Turret Assembly	7812470
	121027-001	1					Solenoid, Auto Trap and Gate	7812470
	121045-001	1					P35 Basic Assembly	
	121114-001	1					Label TB1	
	121117-003	1					Plate, Aperture, Dual, Auto	7812454
	121187-001	1					Label Termination for TB1	

THESE DRAWINGS AND SPECIFICATIONS ARE THE PROPERTY OF CHRISTIE ELECTRIC CORP. AND SHALL NOT BE REPRODUCED OR COPIED OR USED AS THE BASIS FOR THE MANUFACTURE, PROCUREMENT OR SALE OF ANY APPARATUS WITHOUT PERMISSION.

EV	ECO	BY	D	22253	POSTED	MAT. ISSUED
A		C	E	22297	BY	DATE

**BILL OF MATERIAL**

REG. # \_\_\_\_\_ ASSEMBLY NAME **P35 AUTO TURRET, MONO, 50HZ ASSEMBLY** MODEL # **P35** DATE REQ'D \_\_\_\_\_

ITEM NO.	PART NO.	QTY. PER ASSY	QTY. REQ.	QTY. ISSUED	QTY. SHI.	REQ. SPARE PIS.	PART NAME	B-H P/N
19	121220-001	1					Label TB4	
20	194181-001	1					Box 18 x 19 x 30	
21	598931-245	4					Cable Clamp, 1/4 "	
22	598931-276	3					Cable Clamp, 3/16 "	
23	598931-078	7					Screw, Pan Head, Phil., 8-32 x 3/8	
24	598931-249	2					Screw, button Head, Hex Spcket, 4-40 x 1/4	
25	119293-002	1					Plate Motor	
26	515500-099	2					Screw, Socket Head Cap, Hex Socket, 8-32x1/4	
27	518504-071	1					Grommet 7/16	
28	585214-410	1					Terminal Barrier, 10 terminals	
29	586240-101	7					Terminal, Double Row	
30	586999-001	1					End Piece, Terminal Board	
31	598931-044	2					Screw, Socket Head Cap, Hex Socket, 8-32x1/2	
32	598931-082	2					Screw, Sheet Metal Pan Head, Phil, #6 x 1/4	
33	598931-224	3					Fastener, 1/4 Turn	
34	598931-246	3					Snapping for 1/4 Turn Fastener	
35	TD 385	1					Instruction Manual	
36	503165	-					Schematic	
37	119976-001	1					Pulley, Modified, 29 Tooth	

THESE DRAWINGS AND SPECIFICATIONS ARE THE PROPERTY OF CHRISTIE ELECTRIC CO. AND SHALL NOT BE REPRODUCED, COPIED OR USED AS THE BASIS FOR REPRODUCTION, PURCHASE OR SALE OF APPARATUS WITHOUT PERMISSION.

REV	ECO	POSTED	MAT. ISSUED
		BY	BY
		DATE	DATE

05/28/87

(87148)

CHRISTIE INC.

PART NARRATIVE

PART NUMBER 121047-004

DESCRIPTION

P35 AUT. TUR. S 50 HZ

P35 AUTOMATIC TURRET PROJECTOR \* CEC \*  
WITH STEREO SOUNDHEAD  
115 VAC, 1.5 Amp., 50 Hz  
SYSTEM SCHEMATIC P/N: 503165

NEXT REQUEST CODE DESIRED

REG. # W.O. # ASSEMBLY NAME P35 AUTO TURRET, STEREO, 50Hz ASSEMBLY MODEL # P35 QTY DATE REQ'D

ITEM NO.	PART NO.	QTY. REQ. ASSY	QTY. REQ.	QTY. ISSUED	QTY. SHI.	REG. SPARE PTS.	PART NAME	B-H P/N
1	102916-010	1					Insulator Terminal Board	
2	119166-001	1					Flywheel Sound Drum	7812248
3	114824-001	1					Nameplate	
4	119248-002	1					Solar Cell Assembly	7812272
5	119252-001	1					Accessory Kit	7812315
6	119253-001	1					Harness Assembly, Standard	7812316
7	120789-001	1					Harness Assembly, Auto Turret	
8	120791-003	1					Control Box, Auto Turret	
9	120794-001	1					Bracket Enclosure	
10	120799-001	1					Belt Area Cover	
11	120818-001	1					Sound Damper Panel	
12	121020-001	1					Curved Trap and Gate Assembly, Automatic	7812450
13	121022-001	1					Automatic Turret Assembly	7812470
14	121027-001	1					Solenoid, Auto Trap and Gate	7812...
15	121045-001	1					P35 Basic Assembly	
16	121114-001	1					Label IB1	
17	121117-003	1					Plate, Aperture, Dual, Auto	7812454
18	121187-001	1					Label Termination for IB1	

REV	ECO	B	C	D	E	POSTED	MAT. ISSUED
A						BY	BY
						DATE	DATE
				22253			
				22297			

THESE DRAWINGS AND SPECIFICATION THE PROPERTY OF CHRISTIE ELECTRIC AND SHALL NOT BE REPRODUCED OR COPIED OR USED AS THE BASIS FOR THE MANUFACTURE, PROCUREMENT OR SALE OF APP) WITHOUT PERMISSION.

ASSEMBLY NAME  
**P35 AUTO TURRET, STEREO, 50HZ ASSEMBLY**

MODEL # **P35**

QTY \_\_\_\_\_ DATE REC'D \_\_\_\_\_

ITEM NO.	PART NO.	QTY. PER ASSY	QTY. REQ.	QTY. ISSUED	QTY. SHI.	REC. SPARE PIS.	PART NAME	B-H P/N
2	121220-001	1					Label TB4	
0	194181-001	1					Box 18 x 19 x 30	
1	598931-245	4					Cable Clamp, 1/4"	
2	598931-276	3					Cable Clamp, 3/16"	
3	598931-078	7					Screw, Pan Head, Phil., 8-32 x 3/8	
4	598931-249	2					Screw, Button Head, Hex Socket, 4-40 x 1/4	
5	119293-002	1					Plate Motor	
6	515500-099	2					Screw, Socket Head Cap, Hex Socket, 8-32x1/4	
7	518504-071	1					Grommet 7/16	
8	585214-410	1					Terminal Barrier, 10 terminals	
9	586240-101	7					Terminal, Double Row	
0	586999-001	1					End Piece, Terminal Board	
1	598931-044	2					Screw, Socket Head Cap, Hex Socket, 8-32x1/2	
2	598931-082	2					Screw, Sheet Metal Pan Head, Phil., #6 x 1/4	
3	598931-224	3					Fastener, 1/4 Turn	
4	598931-246	3					Snapping for 1/4 Turn Fastener	
5	TD-385	1					Instruction Manual	
6	503165	-					Schematic	
7	119297-001	1					Pulley, Modified, 29 Tooth	

REV	ECO	POSTED	MAT. ISSUED
		BY	DATE

THESE DRAWINGS AND SPECIFICATIONS ARE THE PROPERTY OF CHRISTIE ELECTRIC CORP. AND SHALL NOT BE REPRODUCED, COPIED, OR USED AS THE BASIS FOR THE MANUFACTURE, PROCUREMENT OR SALE OF APPARATUS WITHOUT PERMISSION.

05/28/87

(87148)

CHRISTIE INC.

PART NARRATIVE

PART NUMBER 121048-001

DESCRIPTION

P35 AMC AUT.TUR.ST

P35 AUTOMATIC TURRET PROJECTOR \* AMC \*  
WITH STEREO SOUNDHEAD  
115 VAC, 1.5 AMP., 60 Hz  
SYSTEM SCHEMATIC P/N: 503206

NEXT REQUEST CODE DESIRED

MODEL # P35

P35 AMC AUTO TURRET, STEREO, 60Hz ASSEMBLY

ASSEMBLY NAME

QTY DATE REQ'D

EM O.	PART NO.	QTY. PER ASSY	QTY. REQ.	QTY. ISSUED	QTY. SHI.	REC. SPARE PIS.	PART NAME	B-H P/N
	102916-010	1					Insulator Terminal Board	
	119166-001	1					Flywheel Sound Drum	7812248
	114824-001	1					Nameplate	7812249-3
	119248-002	1					Solar Cell Assembly	7812272
	119252-001	1					Accessory Kit	7812315
	120791-003	1					Control Box, Auto Turret	
	120794-001	1					Bracket Enclosure	
	120799-001	1					Belt Area Cover	
	120818-001	1					Sound Damper, Panel	
	121020-001	1					Curved Trap and Gate Assembly, Automatic	7812450
	121022-001	1					Automatic Turret Assembly	7812470
	121027-001	1					Soleniod, Auto Trap and Gate	
	121045-001	1					P35 Basic Assembly	
	121049-001	1					Harness AMC, Custom	
	121117-004	1					Plate, Aperture, Dual, Auto	
	121220-001	1					Label TB4	
	194181-001	1					Box, 18 x 19 x 30	
	524203-018	1					Plug, Male, 2311	

REV	ECO	B	C	D	E	F	POSTED	MAT. ISSUED
A							BY	DATE
							BY	DATE

THESE DRAWINGS AND SPECIFICATIONS ARE THE PROPERTY OF CHRISTIE ELECTRIC CORP. AND SHALL NOT BE REPRODUCED, COPIED, OR USED AS THE BASIS FOR THE MANUFACTURE, PROCUREMENT OR SALE OF APPARATUS WITHOUT PERMISSION.

**BILL OF MATERIAL**

REG. # SHEET # 2 ASSEMBLY NAME P35 AMC Auto Turret, Stereo, 60Hz ASSEMBLY MODEL # P35 QTY DATE REQ'D

ITEM NO.	W.O. #	PART NO.	QTY. PER ASSY	QTY. REQ.	QTY. ISSUED	QTY. SHIP.	REC. SPARE PIS.	PART NAME	B-H P/N
19		598931-245	4					Cable Clamp, 1/4"	
20		598931-276	3					Cable Clamp, 3/16"	
21		598931-078	7					Screw, Pan Head, Phil., 8-32 x 3/8	
25		598931-249	2					Screw, Button Head, Hex Socket, 4-40 x 1/4	
23		194240-001	1					Baffle Plate, Light	
24		515500-029	1					Cabel Clamp, Panel Mount	
25		518504-071	1					Grommet, 7/16 "	
26		585214-410	1					Terminal Barrier, 10 Terminals	
27		598931-044	2					Screw, Socket Head Cap, Hex Socket, 8-32x1/2	
28		598931-082	2					Screw, Sheet Metal Pan Head, Phil. #6 x 1/4	
29		598931-083	2					Washer, Split Lock #6	
30		598931-224	3					Fastener, 1/4 Turn	
31		598931-246	3					Snap Ring for 1/4 Turn Fastener	
32		598931-396	1					Screw, Socket Head Cap, Hex Socket 3/8-16x4,5	NOTE: from Basic Unit
33		598931-433	2					Nut, Hex, 6-32	
34		TD-577	1					Instruction Manual	
35		503206	-					Schematic	

REV	ECO	POSTED	MAT. ISSUED
		BY	BY
		DATE	DATE

THESE DRAWINGS AND SPECIFICATIONS ARE THE PROPERTY OF CHRISTIE ELECTRIC CO. AND SHALL NOT BE REPRODUCED, COPIED OR USED AS THE BASIS FOR THE MANUFACTURE, PROCUREMENT OR SALE OF APPARATUS WITHOUT PERMISSION.



**WARRANTY**

COVERING P-35C PROJECTOR

Manufactured by: CHRISTIE INCORPORATED  
(herein referred to as "Christie")

CHRISTIE warrants the apparatus sold to the extent of the parts necessary to correct any defect in workmanship or materials which may develop under proper and normal use for a period of one (1) full year (90 days on electric motors) from the date of installation (except as noted below) but not to exceed eighteen (18) months from the date of shipment from Christie Incorporated. Christie reserves the right to have the apparatus returned, freight prepaid, to Christie factory to effect the warranty repairs.

Replacement parts for warranty repairs will be shipped promptly by Christie f.o.b. factory, and invoiced to the customer. Credit will be issued upon return of the defective part(s), prepaid, to the Christie factory.

The above shall constitute a fulfillment of all Christie liabilities in respect to said apparatus.

This warranty does not cover:

Special customer specified purchased parts, materials, or components modified to customer specifications.

This warranty does not apply to parts of any Christie product which have been opened, disassembled, repaired, or altered by anyone other than Christie, or subjected to misuse or abuse.

Christie shall not be liable for any consequential damages.