

# Film-Tech

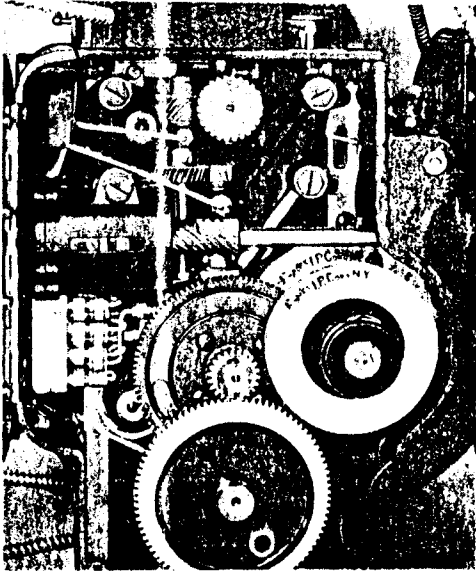
The information contained in this Adobe Acrobat pdf file is provided at your own risk and good judgment.

These manuals are designed to facilitate the exchange of information related to cinema projection and film handling, with no warranties nor obligations from the authors, for qualified field service engineers.

If you are not a qualified technician, please make no adjustments to anything you may read about in these Adobe manual downloads.

[www.film-tech.com](http://www.film-tech.com)

**IF YOUR SIMPLEX E-7 MECHANISM IS EQUIPPED  
WITH A VERTICAL SHAFT**

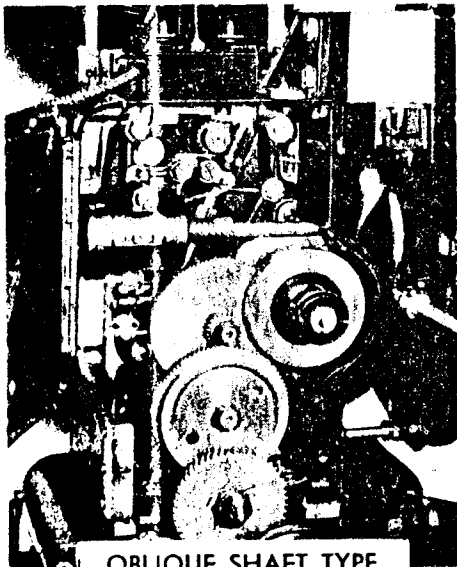


**VERTICAL SHAFT TYPE**

**IT LOOKS LIKE THIS**

You will find a listing of all of the correct parts for the Vertical Shaft Assembly of your Simplex E-7 Mechanism listed in this book. Since this is a supplementary parts list, it does not contain a complete listing of replacement parts for this Mechanism. To locate the number of a replacement part, first, refer to this book. If the part you want is not listed, refer then to the standard Simplex E-7 Parts List — the book with the yellow cover.

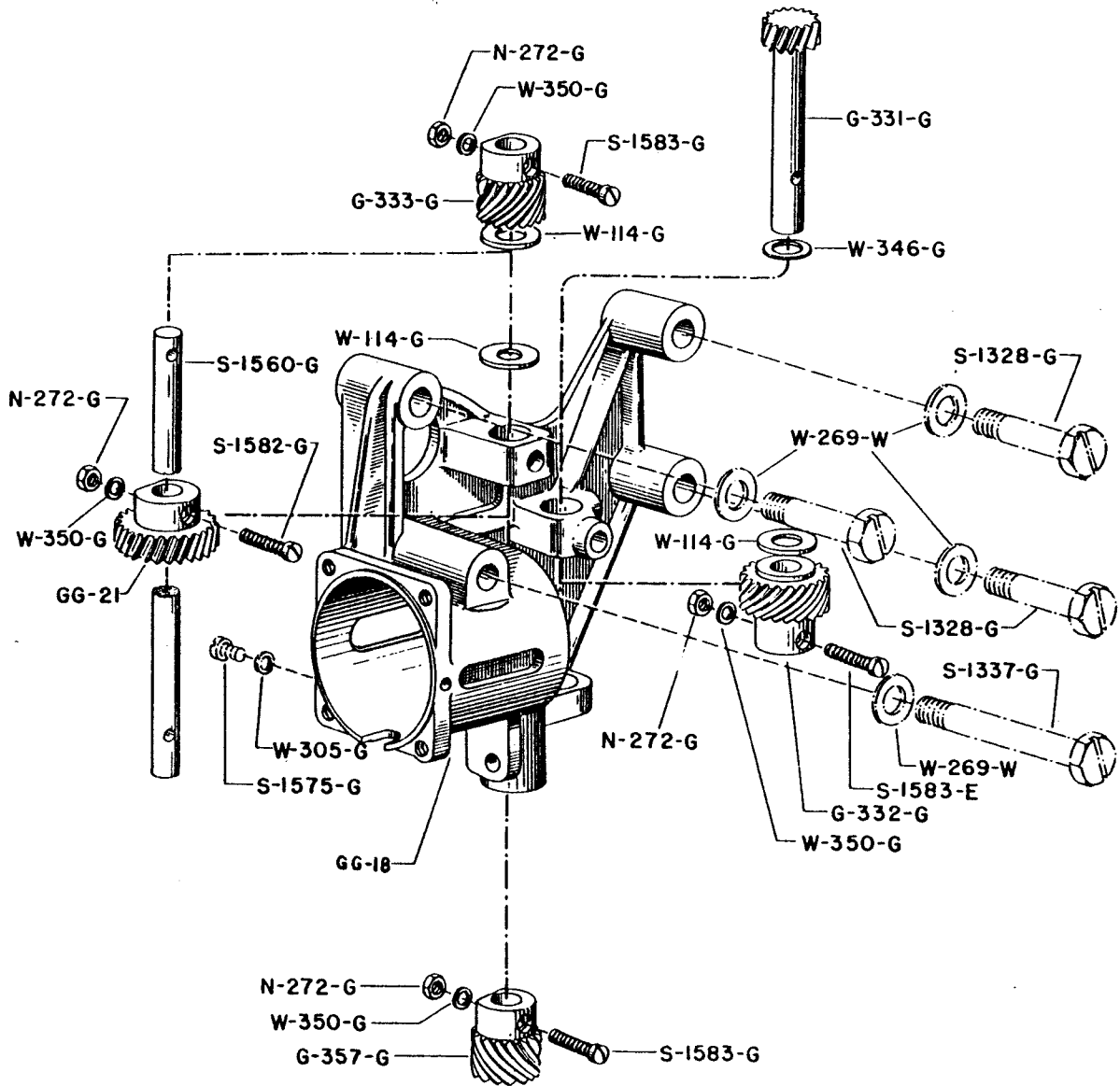
**IF YOUR SIMPLEX E-7 MECHANISM IS EQUIPPED  
WITH AN OBLIQUE SHAFT**



**OBLIQUE SHAFT TYPE**

**IT LOOKS LIKE THIS**

Do not refer to this book for any replacement parts. All of the parts for your Simplex E-7 Mechanism are illustrated and listed in the standard Simplex E-7 Parts List — the book with the yellow cover.



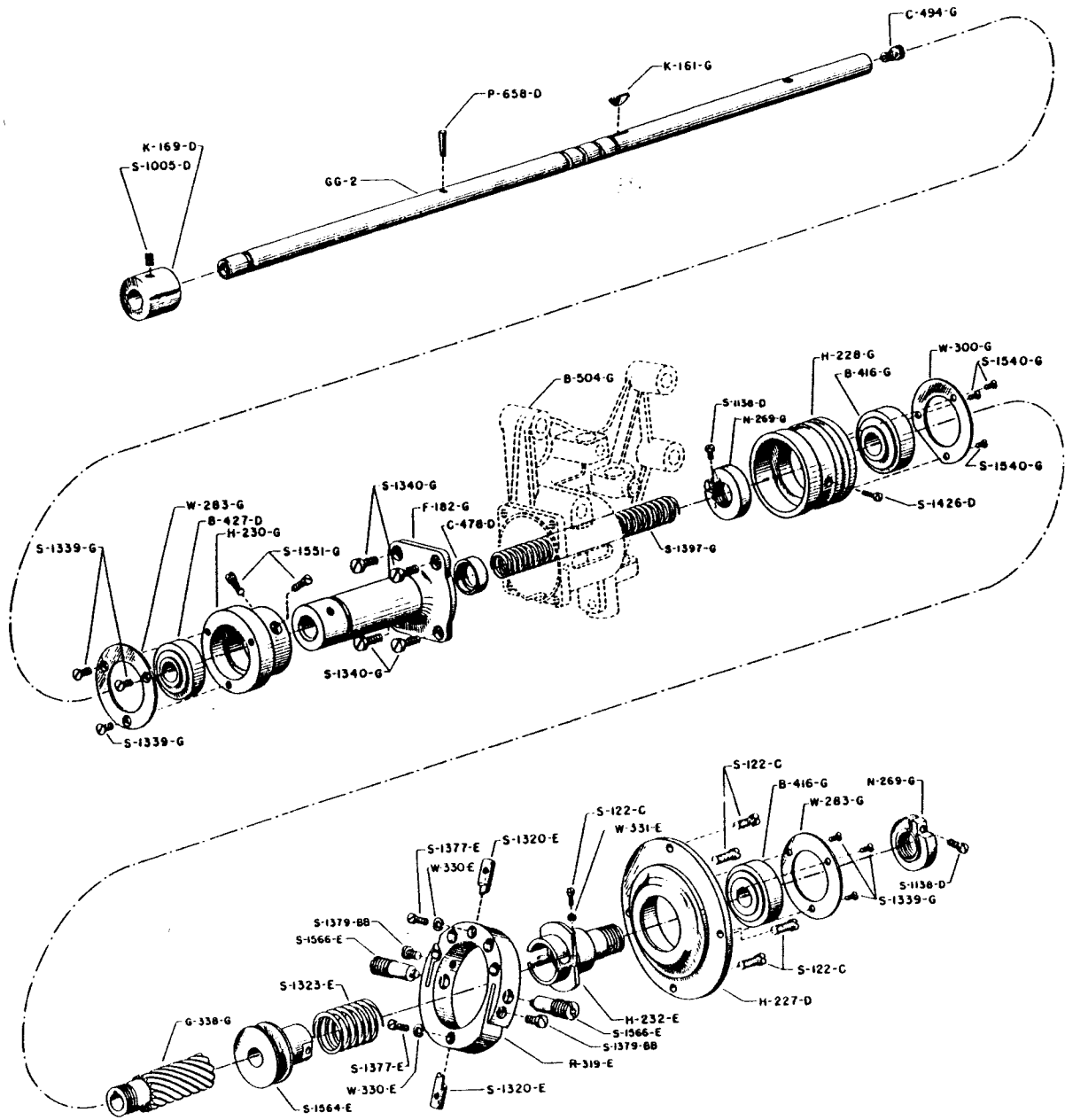
VERTICAL SHAFT BRACKET ASSEMBLY

## VERTICAL SHAFT BRACKET ASSEMBLY

\*\*GG-18 Vertical Shaft Bracket With Bearings  
Gear and Hub, Jack Shift Drive  
GG-21 Gear and Hub, Jack Shaft Drive  
\*B-502 Vertical Shaft Bearing  
\*B-503 Vertical Shaft Bearing  
\*B-504 Vertical Shaft Bearing  
\*B-508 Vertical Shaft Bearing  
\*B-509 Vertical Shaft Bearing  
G-331 Gear and Jack Shift  
G-332 Shutter Shaft Driving Gear  
G-333 Feed Sprocket Drive Gear  
G-357 Vertical Shaft Driven Gear  
N-272 Nut (For S-1583 and S-1582) (4)  
S-1328 Vertical Shaft Bracket Fastening Screw (3)  
S-1337 Vertical Shaft Bracket Fastening Screw  
S-1560 Vertical Drive Shaft  
S-1575 Gear Box Fastening Screw  
S-1582 Screw for Fastening GG-21  
S-1583 Screw for G-332, G-333, G-357 (3)  
W-114 Lower Sprocket Shaft Washer (3)  
W-269 Washer (For S-1328 and S-1337) (4)  
W-305 Washer (For S-1575)  
W-346 Washer (For G-331)  
W-350 Washer (For S-1583 and S-1582) (4)

\*Part of GG-18

\*\*Includes B-502, B-503, B-504, B-508, B-509, N-235 (3)  
(Shown on Page 4).



SHUTTER SHAFT AND ASSOCIATED PARTS

## SHUTTER SHAFT AND ASSOCIATED PARTS

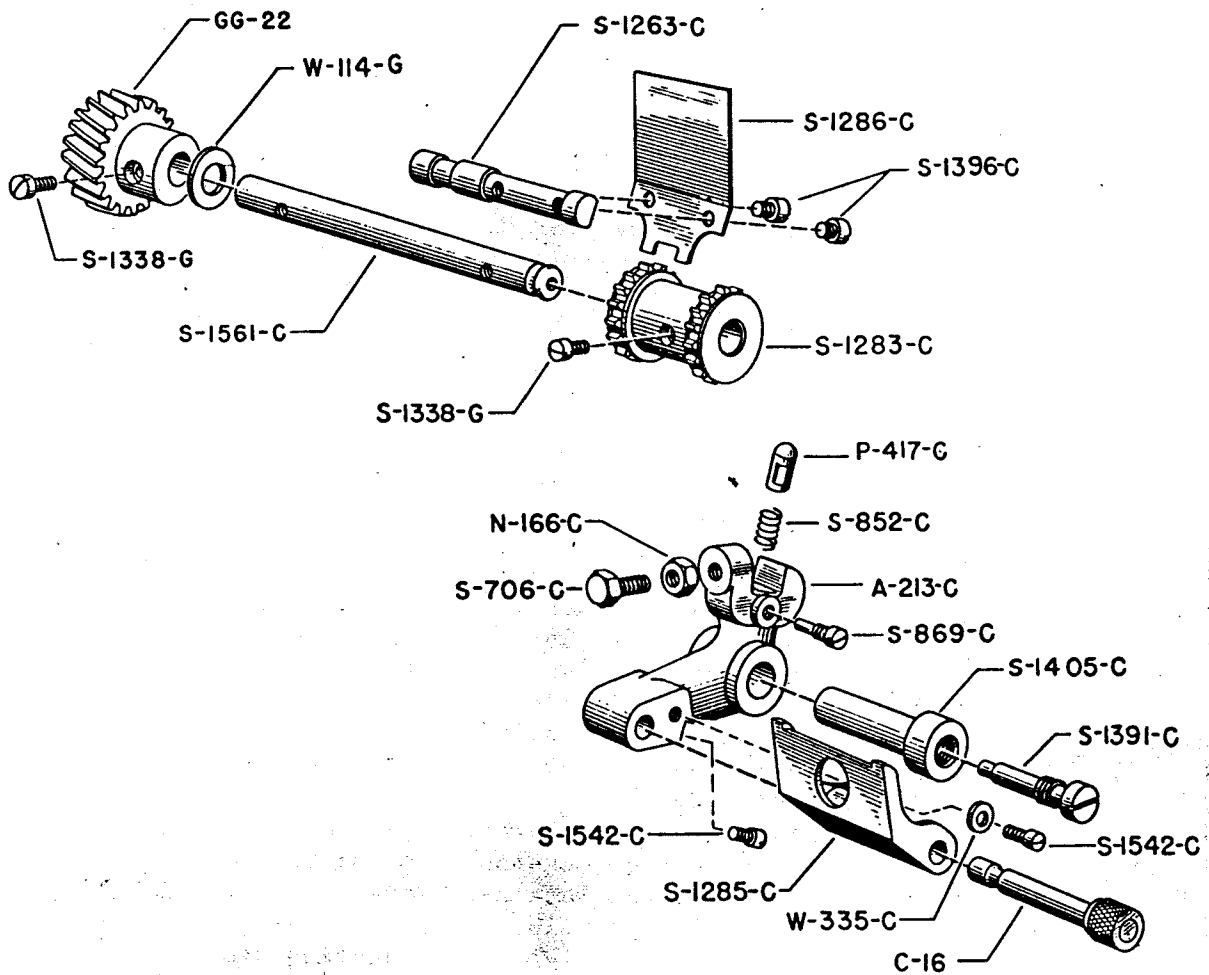
### ASSEMBLIES

#### **GG-2 SHUTTER SHAFT AND OIL CUP**

C-494-G Shutter Shaft Oil Cup

### PARTS

B-416-G Floating and Rear Ball Bearing (2)  
B-427-D Front Ball Bearing  
B-504-G Floating Ball Bearing Bracket  
C-478-D Shutter Shaft Spring Collar  
F-182-G Front Ball Bearing Flange  
G-338-G Shutter Shaft Driven Gear  
H-227-D Rear Ball Bearing Housing  
H-228-G Floating Ball Bearing Housing  
H-230-G Front Ball Bearing Housing  
H-232-E Fire Shutter Governor Hub  
K-161-G Shutter Shaft Driven Gear Key  
K-169-D Shutter Shaft Indicator Knob  
N-269-G Floating and Rear Ball Bearing Clamp Nut (2)  
P-658-D Shutter Shaft Spring Collar Retaining Pin  
R-319-E Fire Shutter Governor Ring  
S-122-C Screw (for H-232-E and H-227-E) (5)  
S-1005-D Shutter Shaft Indicator Knob Fastening Screw  
S-1138-D Floating and Rear Ball Bearing Clamping Nut Set Screw (2)  
S-1320-E Fire Shutter Governor Adjusting Stud (2)  
S-1323-E Fire Shutter Governor Control Spring  
S-1339-G Ball Bearing Retainer Washer Fastening Screw (6)  
S-1340-G Front Ball Bearing Flange Fastening Screw (2)  
S-1377-E Fire Shutter Pivot and Adjusting Stud Fastening Screw (2)  
S-1379-BB Fire Shutter Governor Pivot Screw (2)  
S-1397-G Shutter Shaft Spring  
S-1426-D Floating Ball Bearing Housing Guide Screw  
S-1540-G Floating Ball Bearing Retainer Washer Fastening Screw (3)  
S-1551-G Front Ball Bearing Housing Retaining Screw (2)  
S-1564-E Fire Shutter Governor Control Sleeve  
S-1566-E Fire Shutter Governor Pivot Stud (2)  
W-283-G Front and Rear Ball Bearing Retainer Washer (2)  
W-300-G Floating Ball Bearing Retainer Washer  
W-330-E Lockwasher (for S-1377-E screw) (2)  
W-331-E Lockwasher (under S-122-C screw on H-232-E Hub)



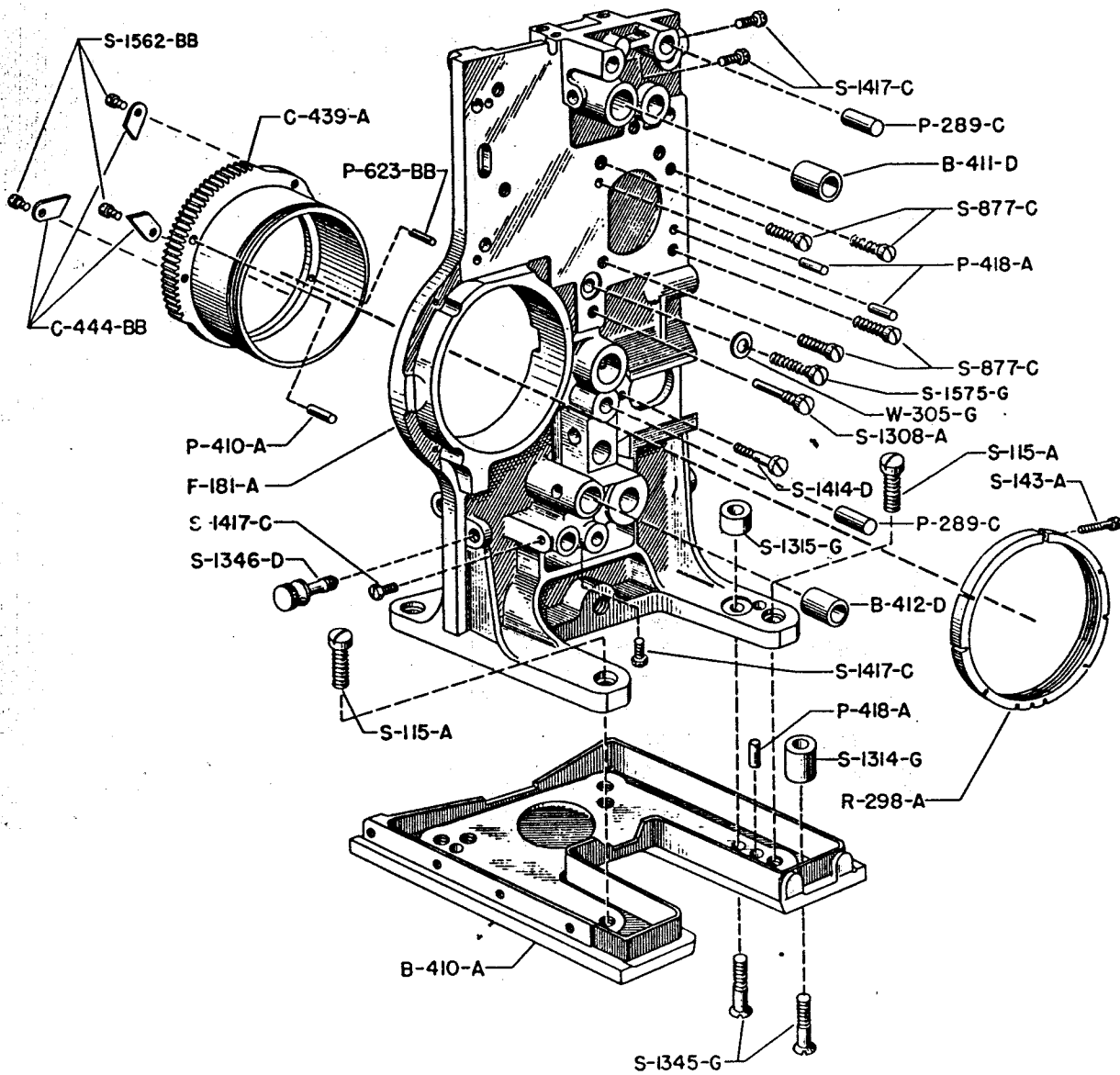
UPPER SPROCKET AND ASSOCIATED PARTS

## UPPER SPROCKET AND ASSOCIATED PARTS

### PARTS

A-213-C	Upper Pad Roller Arm
C-16	Upper Pad Roller Stud
GG-22	Upper Sprocket Shaft Gear
N-166-C	Pad Roller Arm Adjusting Nut
P-417-C	Upper Pad Roller Arm Plunger
S-706-C	Upper Pad Roller Arm Adjusting Screw
S-852-C	Upper Pad Roller Arm Plunger Spring
S-869-C	Upper Pad Roller Arm Plunger Screw
S-1263-C	Upper Sprocket Stripper Plate Stud
S-1283-C	Upper Sprocket
S-1285-C	Upper Sprocket Shoe
S-1286-C	Upper Sprocket Stripper Plate
S-1338-G	Set Screw (for GG-22 and S-1283-C) (2)
S-1391-C	Upper Pad Roller Arm Stud Screw
S-1396-C	Upper Sprocket Stripper Plate Fastening Screw (2)
S-1405-C	Upper Pad Roller Arm Stud
S-1542-C	Pad Roller Stud Retaining Screw (2)
S-1561-C	Upper Sprocket Shaft
W-114-G	Upper Sprocket Shaft Washer
W-335-C	Upper Sprocket Shoe Washer



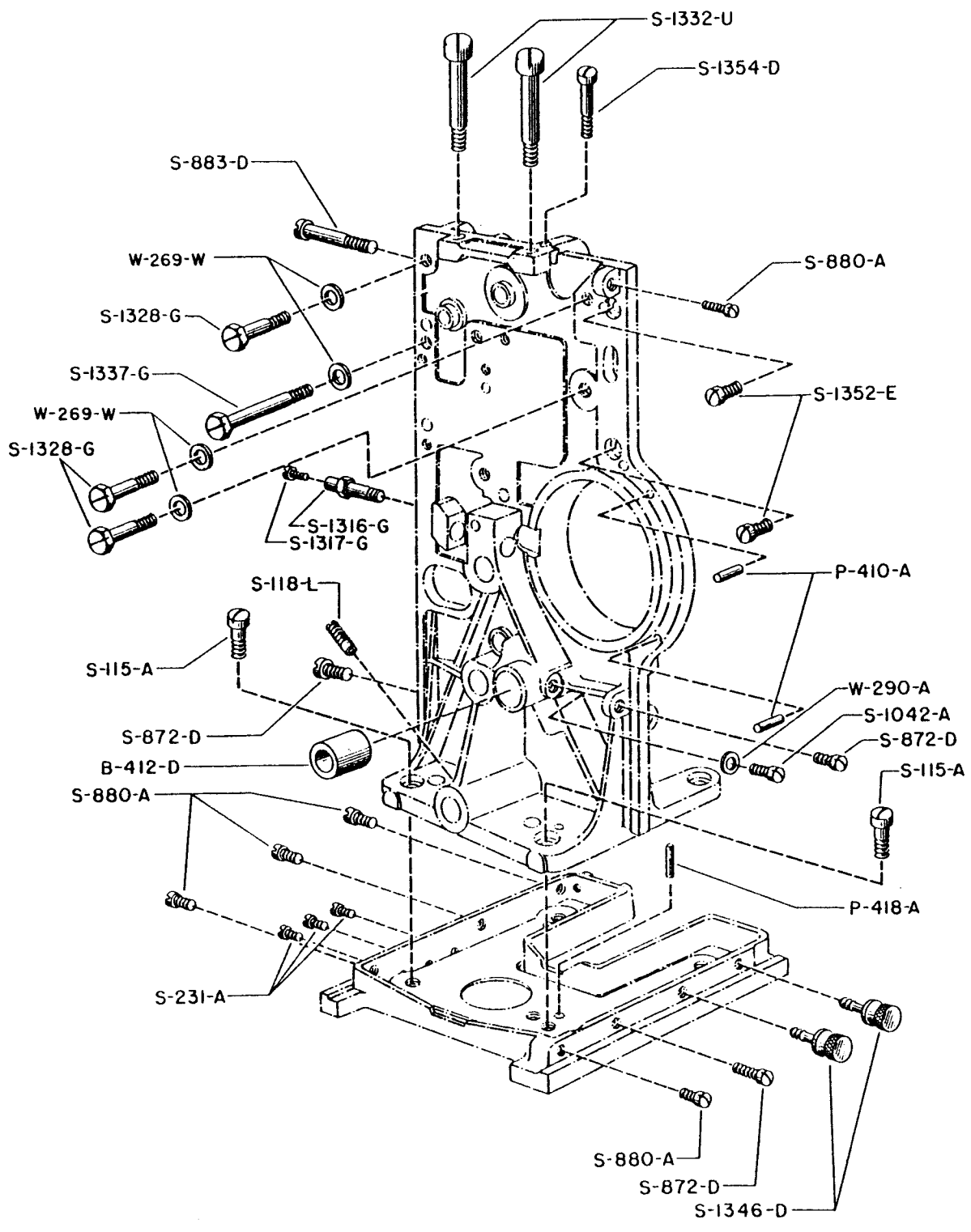


MAIN FRAME — FILM SIDE

## MAIN FRAME - FILM SIDE

### PARTS

B-410-A	Mechanism Base
B-411-D	Upper Sprocket Shaft Bushing
B-412-D	Lower Sprocket Shaft Bushing
C-439-A	Framing Cam
C-444-BB	Intermittent Movement Case Clamp (3)
F-181-A	Mechanism Main Frame
P-289-C	Pad Roller Arm Stop Pin (2)
P-410-A	Framing Cam Stop Pin
P-418-A	Dowel Pin (for Main Frame and Lens Holder) (3)
P-623-BB	Intermittent Movement Case Locating Pin
R-298-A	Framing Cam Adjusting Ring (Includes S-143-A Screw)
S-115-A	Main Frame Fastening Screw (2)
S-143-A	Framing Cam Adjusting Ring Clamping Screw
S-877-C	Lens Holder Fastening Screw (4)
S-1308-A	Framing Slide Shaft Screw
S-1314-G	One Shot Oil System Reservoir Spacer Washer (Large)
S-1315-G	One Shot Oil System Reservoir Spacer Washer (Small)
S-1345-G	One Shot Oil System Reservoir Fastening Screw (2)
S-1346-D	Film Side Rear Cover Retaining Screw
S-1414-D	Shutter Adjusting Slide Stop Screw
S-1417-C	Retaining Screw (for P-289-C and S-1263-C) (4)
S-1562-BB	Intermittent Movement Case Clamp Fastening Screw (3)
S-1575-G	Oblique Shaft Bracket Locating Screw
W-305-G	Oblique Shaft Bracket Locating Screw Washer

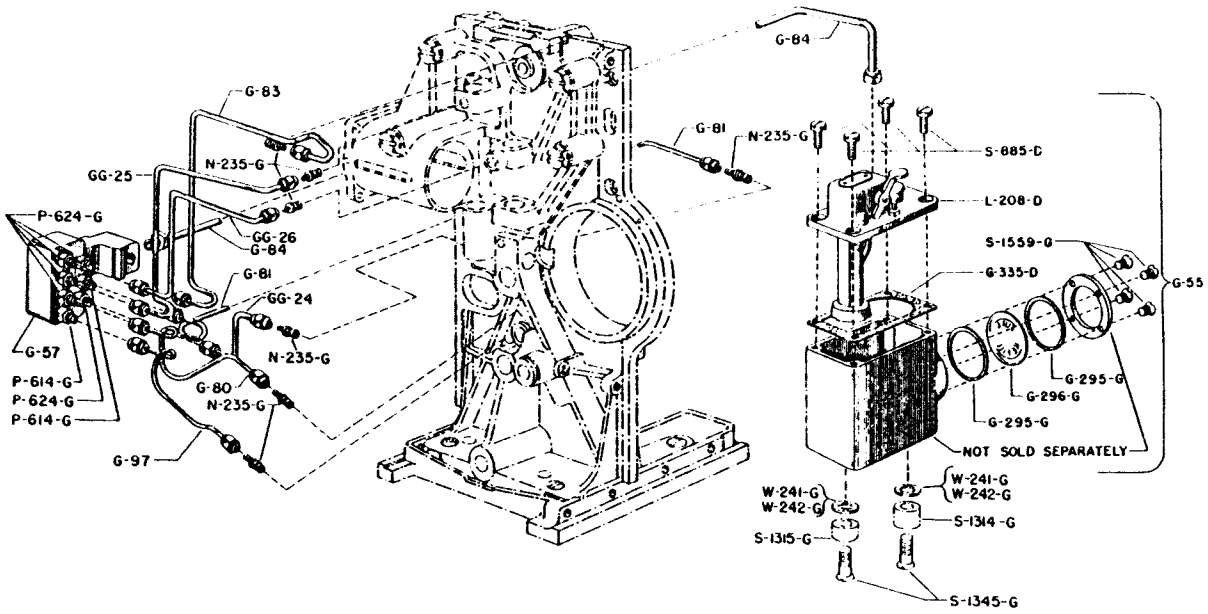


MAIN FRAME — GEAR SIDE

## MAIN FRAME - GEAR SIDE

### PARTS

B-412-D	Lower Sprocket Shaft Bushing
P-410-A	Framing Cam Stop Pin (2)
P-418-A	Main Frame Dowel Pin
S-115-A	Main Frame Fastening Screw (2)
S-118-L	Sound Pinion Shaft Retaining Screw
S-231-A	Mechanism Base Oil Drain Screw (3)
S-872-D	Fastening Screw (for C-436-D and C-437-D) (3)
S-880-A	Fastening Screw (for C-436-D and C-437-D) (5)
S-883-D	Fastening Screw (for C-437-D)
S-1042-A	Oil Hole Plug Screw
S-1316-G	One Shot Oil System Tubing Junction Stud
S-1317-G	One Shot Oil System Tubing Junction Stud Screw
S-1328-G	Fastening Screw (for B-413-G and B-415-G) (3)
S-1332-U	Upper Magazine Fastening Screw (2)
S-1337-G	Floating Ball Bearing Bracket Fastening Screw
S-1346-D	Gear Side Rear Cover Retaining Screw (2)
S-1352-E	Film Trap Bracket Fastening Screw (2)
S-1354-D	Top Plate Fastening Screw
W-269-W	Washer (For S-1328-G and S-1337-G) (4)
W-290-A	Oil Hole Plug Screw Washer

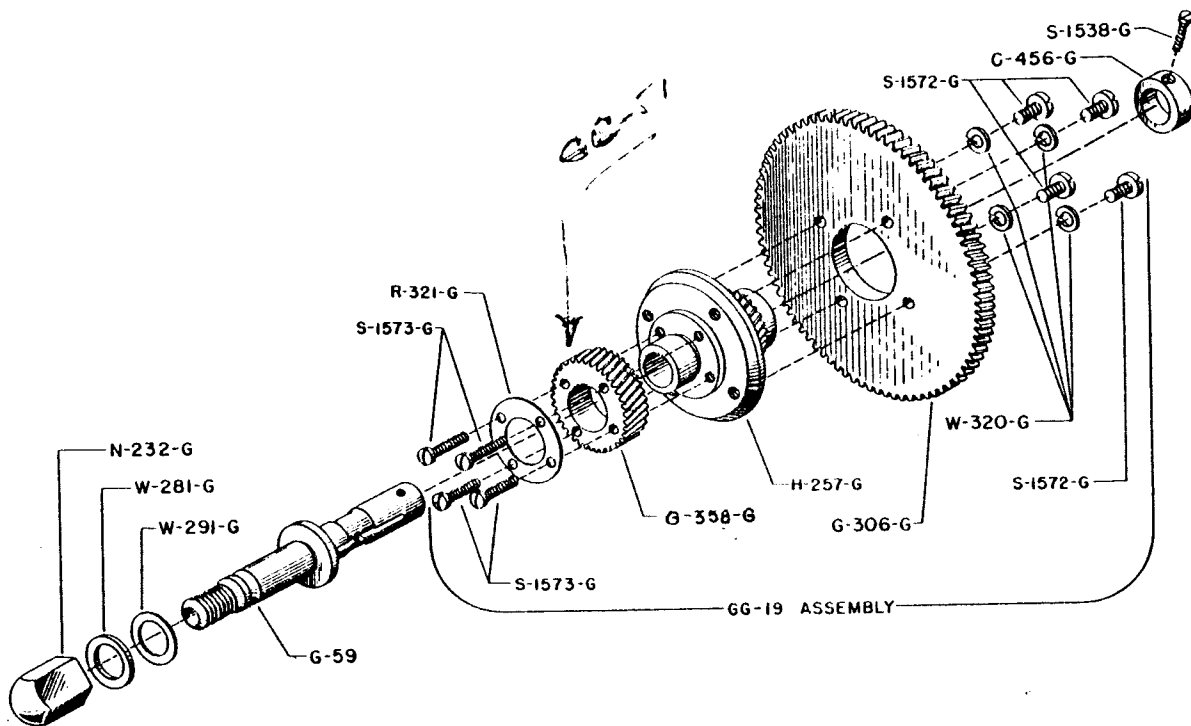


ONE SHOT OIL SYSTEM

## ONE SHOT OIL SYSTEM

### PARTS

G-55	One shot Oil System Reservoir
G-57	One shot Oil System Tube Junction
G-80	Lower Sprocket Shaft Oil Tube
G-81	Intermediate Stud Oil Tube
G-83	Upper Sprocket Shaft Oil Tube
G-84	Tube Junction Feed Tube
G-97	Main Drive Gear Stud Oil Tube
GG-24	Lower Oil Tube (Vertical Shaft)
GG-25	Upper Oil Tube (Vertical Shaft)
GG-26	Upper Oil Tube (Jack Shaft)
L-208-D	Lubricator Unit
N-235-G	Oil Tube Connection Nipple (7)
G-295-G	Oil Level Glass Gasket (2)
G-296-G	Oil Level Glass
G-335-D	Lubricator Unit Gasket
P-614-G	Tube Junction Drip Plug (FJD-1) (2)
P-624-G	Tube Junction Drip Plug (FJD-0) (5)
S-885-D	Knob Fastening Screw (4)
S-1314-G	One Shot Oil System Reservoir Spacer Washer (Large)
S-1315-G	One Shot Oil System Reservoir Spacer Washer (Small)
S-1345-G	One Shot Oil System Reservoir Fastening Screw (2)
S-1559-G	Oil Sight Glass Fastening Screw (4)
W-251-G	Reservoir Shim (.010") Optional-used
W-242-G	Reservoir Shim (.015") Only as required



## INTERMEDIATE GEAR AND STUD

### ASSEMBLIES

<b>GG-19</b>	<b>INTERMEDIATE GEAR ASSEMBLY</b>
G-306-G	Intermediate Driving Gear
G-358-G	Vertical Shaft Driving Gear
H-257-G	Intermediate Hub and Driven Gear
S-1573-G	Intermediate and Vertical Shaft Driving Gear
	Fastening Screw (4)
W-320-G	Washer (for S-1573-G) (4)

### PARTS

C-456-G	Intermediate Drive Gear Stud Thrust Collar
G-59	Intermediate Drive Gear Stud
N-232-G	Intermediate Stud Lock Nut
R-321-G	Vertical Shaft Drive Gear Ring
S-1538-G	Intermediate Drive Gear Stud Thrust Collar
	Fastening Screw
S-1572-G	Screw (for holding G-306-G) (4)
W-281-G	Intermediate Drive Gear Stud Lock Nut
	Washer (Film Side)
W-291-G	Intermediate Drive Gear Stud Lock Nut
	Washer (Gear Side)