

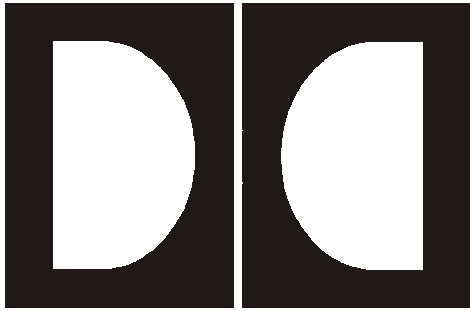
# FILM-TECH

**THE INFORMATION CONTAINED IN THIS ADOBE ACROBAT PDF FILE IS PROVIDED AT YOUR OWN RISK AND GOOD JUDGMENT.**

**THESE MANUALS ARE DESIGNED TO FACILITATE THE EXCHANGE OF INFORMATION RELATED TO CINEMA PROJECTION AND FILM HANDLING, WITH NO WARRANTIES NOR OBLIGATIONS FROM THE AUTHORS, FOR QUALIFIED FIELD SERVICE ENGINEERS.**

**IF YOU ARE NOT A QUALIFIED TECHNICIAN, PLEASE MAKE NO ADJUSTMENTS TO ANYTHING YOU MAY READ ABOUT IN THESE ADOBE MANUAL DOWNLOADS.**

**[WWW.FILM-TECH.COM](http://WWW.FILM-TECH.COM)**



**Dolby**

**UD/650 Upgrade Kit  
For Model CP650**

**Installation Instructions**

Issue 1

Part No. 91731

---

## Dolby Laboratories, Inc.

### Corporate Headquarters

**Dolby Laboratories**

100 Potrero Avenue

San Francisco, CA 94103-4813

**Telephone** 415-558-0200

**Facsimile** 415-863-1373

[www.dolby.com](http://www.dolby.com)

### European Headquarters

**Dolby Laboratories**

Wootton Bassett

Wiltshire, SN4 8QJ, England

**Telephone** (44) 1793-842100

**Facsimile** (44) 1793-842101

**DISCLAIMER OF WARRANTIES:** Equipment manufactured by Dolby Laboratories is warranted against defects in materials and workmanship for a period of one year from the date of purchase. All warranties, conditions or other terms implied by statute are excluded to the fullest extent allowed by law.

**LIMITATION OF LIABILITY:** It is understood and agreed that Dolby Laboratories' liability whether in contract, in tort, under any warranty, in negligence or otherwise shall not exceed the cost of repair or replacement of the defective components and under no circumstances shall Dolby Laboratories be liable for incidental, special, direct, indirect or consequential damages (including but not limited to damage to software or recorded audio or visual material), or loss of use, revenue or profit even if Dolby Laboratories or its agents have been advised, orally or in writing, of the possibility of such damages.

Dolby, the double-D symbol, AC-3, and Surround EX are registered trademarks of Dolby Laboratories.

© 2000 Dolby Laboratories, Inc. All rights reserved.

Issue 1  
S00/13305  
Part No. 91569

# UD/650 Upgrade Kit

---

## Introduction

The UD/650 upgrade kit is used to convert a Dolby Model CP650SR Cinema Processor into a Model CP650D by adding Dolby Digital film soundtrack playback capability. The kit consists of:

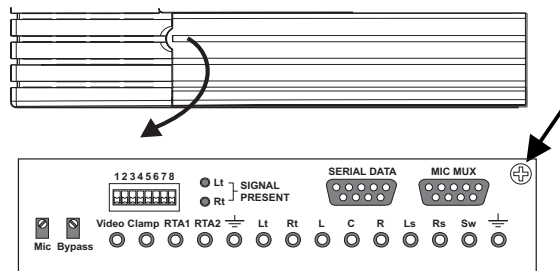
- A Cat. No. 773 Dolby Digital decoder circuit card
- Mounting hardware

## Handling PC Boards

The steps in this upgrade involve handling printed circuit boards. Many components on PC boards are very sensitive to static electricity. These components can be destroyed if static charge on your body discharges through the component. You do not even have to touch the component to damage it. Before touching the printed circuit board, ground yourself by rubbing the frame of the unit with each hand or wearing an earthing strap.

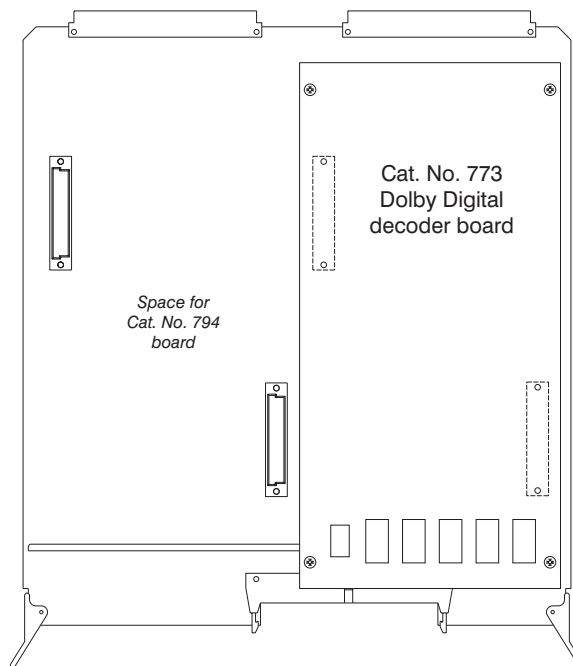
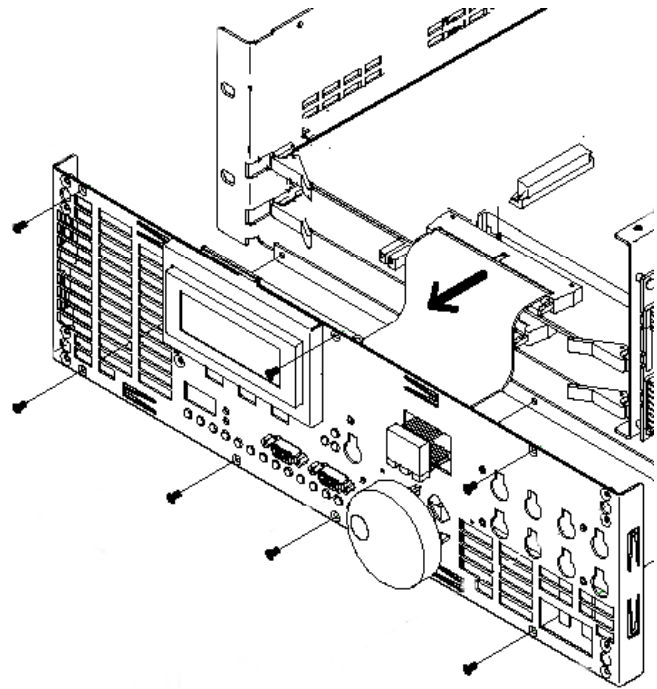
## Installation

1. Remove mains power from the CP650 by unplugging the rear panel power cord.
2. Open the setup control panel access door.



3. Remove the front-panel mounting screw located in the upper right-hand corner of the setup control panel, and carefully pull the front panel toward you to remove it.

4. Remove the seven subpanel mounting screws and carefully pull the subpanel toward you to remove it. Be sure to support the panel while you perform the next step.
5. Unplug the two ribbon cables connected to the internal circuit boards.



6. Remove the upper circuit board (Cat. No. 774) using the left and right card ejectors. Place the board on a flat surface (for example, on a platter disk). The board should be oriented with the card ejectors close to you.
7. Remove the Cat. No. 773 upgrade kit board from its anti-static bag and plug it into the **right-hand** side of the main board by aligning the two connectors shown in the figure above. Press down on each side making sure the connectors are fully seated. The board can be oriented only one way for the connectors to match.

---

**Note:** The Cat. No. 773 will not function if it is installed in the left-hand location. This area is reserved for the Cat. No. 794 Dolby Digital Surround EX / AES/EBU input decoder board.

---

8. Turn over the board combination and install screws through the Cat. No. 774 board and into standoffs at each corner of the Cat. No. 773 board.
9. Reinstall the assembly into the CP650. Push the board in firmly until it is fully seated.
10. Reinstall the two ribbon cables, inner panel, and front panel.
11. Apply power to the CP650.

## Adjustments

Referring to the CP650 Installation manual, perform the following adjustments:

- Install motor start relays if not already present
- Set digital surround delay
- Set Dolby Digital reader delay
- Check subwoofer equalization

With DIP switch 6 down:

- Enable auto Dolby Digital
- Set Auto Digital Target to Format 10

