

FILM-TECH

THE INFORMATION CONTAINED IN THIS ADOBE ACROBAT PDF FILE IS PROVIDED AT YOUR OWN RISK AND GOOD JUDGMENT.

THESE MANUALS ARE DESIGNED TO FACILITATE THE EXCHANGE OF INFORMATION RELATED TO CINEMA PROJECTION AND FILM HANDLING, WITH NO WARRANTIES NOR OBLIGATIONS FROM THE AUTHORS, FOR QUALIFIED FIELD SERVICE ENGINEERS.

IF YOU ARE NOT A QUALIFIED TECHNICIAN, PLEASE MAKE NO ADJUSTMENTS TO ANYTHING YOU MAY READ ABOUT IN THESE ADOBE MANUAL DOWNLOADS.

WWW.FILM-TECH.COM



AUTHORIZED DISTRIBUTOR:
JARCO INDUSTRIES
TOLL FREE ORDERING 800-458-7578
WWW.CONCESSIONSTANDS.COM

Part No. 77598
Revised June 1996

Econo-Pop

Instruction Manual

Model #2115 and Model #2121





 **GOLD MEDAL**®


FUNFOOD EQUIPMENT & SUPPLIES


Cincinnati, OH 45241-4807 USA


SAFETY PRECAUTIONS

	⚠ CAUTION
	This equipment is designed and sold for commercial use only. This equipment is not to be used by the consumer in home use. Do not allow direct contact of this equipment by the public when used in food service locations. Only personnel trained and experienced in the equipment operation may operate this equipment. Carefully read all installation instructions before operating the equipment.

	⚠ WARNING
	Always wear safety glasses when servicing this equipment.

	⚠ WARNING
	To avoid serious burns, do NOT touch the kettle while it is hot.

	⚠ WARNING
	Any alterations to this equipment will void the warranty and may cause a dangerous situation. NEVER make alterations to the equipment. Make sure all machine switches are in the OFF position before plugging the equipment into a receptacle.

	⚠ DANGER
	Machine must be properly grounded to prevent electrical shock to personnel. Do NOT immerse the kettle, warmer, or any other part of this equipment in water. Always unplug the equipment before cleaning or servicing.

NOTE

The information, specifications and illustrations contained in this manual represent the latest data available at time of publication. Right is reserved to make changes as required at the discretion of Gold Medal Products Company without notice.

OPERATING INSTRUCTIONS

ECONO-POP POPCORN MACHINE MODELS

	Domestic Model
Econo-Pop 8 oz.	#2115
Econo-Pop 14 oz.	#2121

INSTALLATION

Your new ECONO-POP Popcorn machine is completely assembled. Before using your machine, remove all packing material and tape.

ELECTRICAL REQUIREMENTS

Standard voltage for Models #2115 and #2121 is 120 volts, 60 Hertz A.C., single phase current. Model #2115 requires a 15 amp circuit. Model #2121 requires a 20 amp circuit. A qualified electrician must furnish sufficient current for trouble free operation.

CONTROLS

There are three switches on the popper.

LIGHT AND WARMER

Turns on heat lamp and strip heater under corn pan.

KETTLE MOTOR SWITCH

Turns on agitator motor.

KETTLE HEAT SWITCH

Turns on kettle heat element.

POPCORN AND OIL MEASUREMENT

The ECONO-POP 8 Oz. is equipped with an 8 oz. (237 ml) measuring cup. The ECONO-POP 14 Oz. is equipped with a 14 oz. (414 ml) measuring cup.

We recommend flavored and colored coconut oil. Popcorn popped in coconut oil also stays fresh longer. Coconut oil does not leave the black deposits in your kettle like other oils.

Model	Popcorn	Coconut Oil	Flavacol
Econo Pop 8 oz.	8 oz. (237ml)	2 oz. (60ml)	1 Tbsp. (15ml)
Econo Pop 14 oz.	14 oz. (414ml)	4 oz. (118ml)	1 Heaping Tbsp (23ml)

POPPING INSTRUCTIONS


1. Turn KETTLE HEAT and KETTLE MOTOR switches "ON".
2. Take 1 oz. (30 ml) of oil and 3 kernels of popcorn and place in kettle. When kernels pop, the kettle is ready.
3. Add remaining oil, popcorn and FLAVACOL seasoning salt into kettle.
4. When corn has finished popping, dump kettle.
5. Repeat cycle with step #3. Always pop 3 - 5 batches for best results.
6. On final kettle of corn, the KETTLE HEAT switch may be turned "OFF" when the popping corn begins to force open the lids. This will save electricity and help eliminate smoke and odor.
7. Always keep the KETTLE MOTOR and the KETTLE HEAT switches in the "OFF" position when not popping corn.


CARE & CLEANING


After each series of poppings, wipe the outside of the kettle with a soft cloth to remove any oil. Do not let any spilled oil burn on. After you are finished popping for the day, let the kettle cool so that you can handle it (yet still warm). Unplug the kettle and remove it from the machine. Wipe out the inside of the kettle, the kettle lids, kettle crossbar, and kettle exterior.

To clean the cabinet of the machine use a clean cloth to wipe off excess grease from the glass and the outside of the machine. To clean glass use any glass cleaner that is recommended for cutting grease. A wax cleaner such as Johnson's SHINE UP may be used to clean the aluminum exterior. Be sure to remove the old maid pan to empty and clean it also.

MAINTENANCE INSTRUCTIONS

	⚠ CAUTION
	THE FOLLOWING SECTIONS OF THIS MANUAL ARE INTENDED ONLY FOR QUALIFIED SERVICE PERSONNEL WHO ARE FAMILIAR WITH ELECTRICAL EQUIPMENT. THESE ARE NOT INTENDED FOR THE OPERATOR.

	⚠ WARNING
	Adequate eye protection must be used when servicing this equipment to prevent the possibility of injury.

	⚠ DANGER
	Do NOT immerse the kettle, warmer, or any other part of this equipment in water. Unplug your machine before servicing.

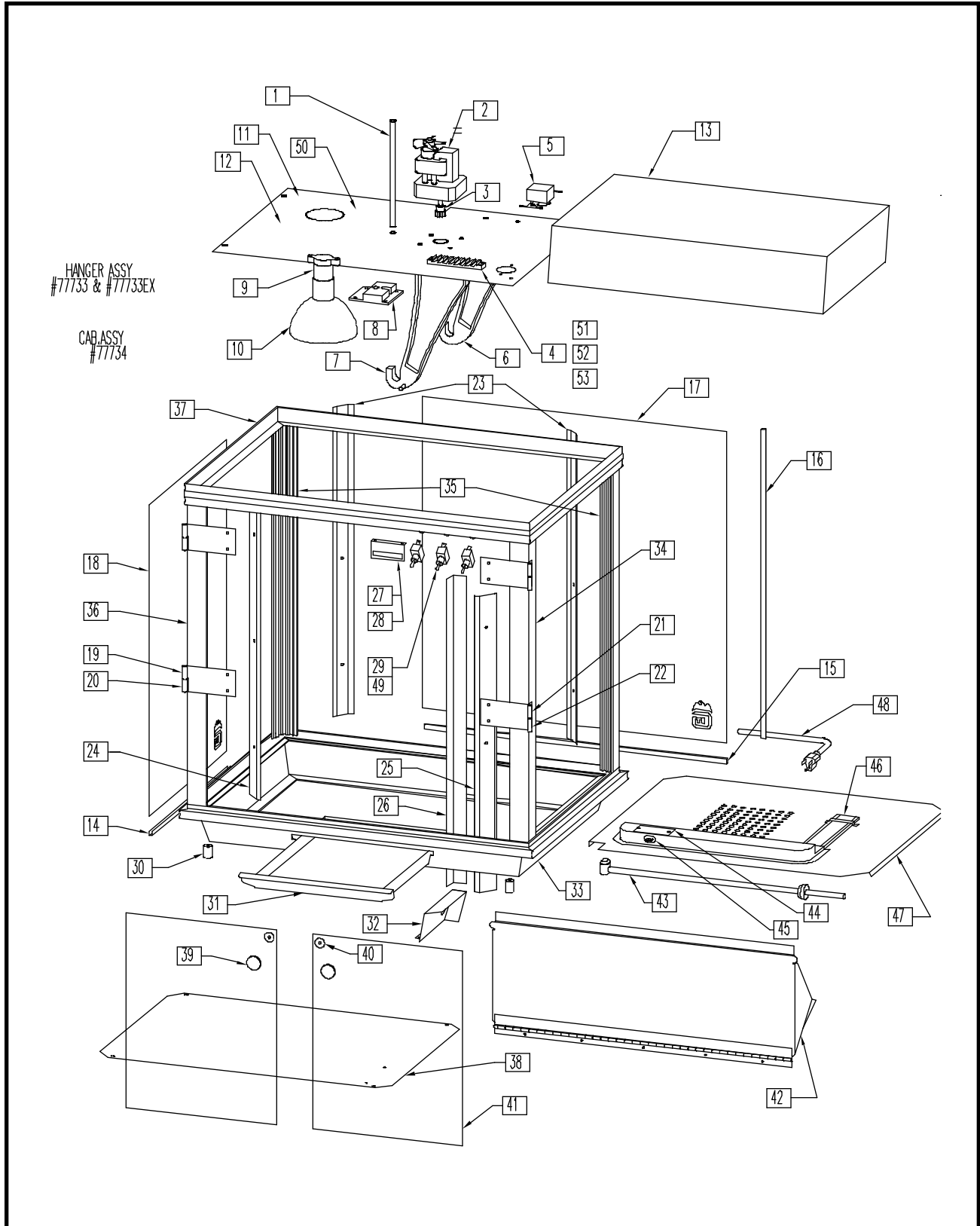
ORDERING SPARE PARTS

1. Identify the desired part by checking it against the photos, illustrations, and/or the parts list.
2. When ordering, please include part number, part name, and quantity desired.
3. Please include your model name and machine serial number (located on the machine nameplate) with your order.
4. Address all parts orders to:

Jarco Industries

order toll free 800-458-7578
or order online at www.concessionstands.com

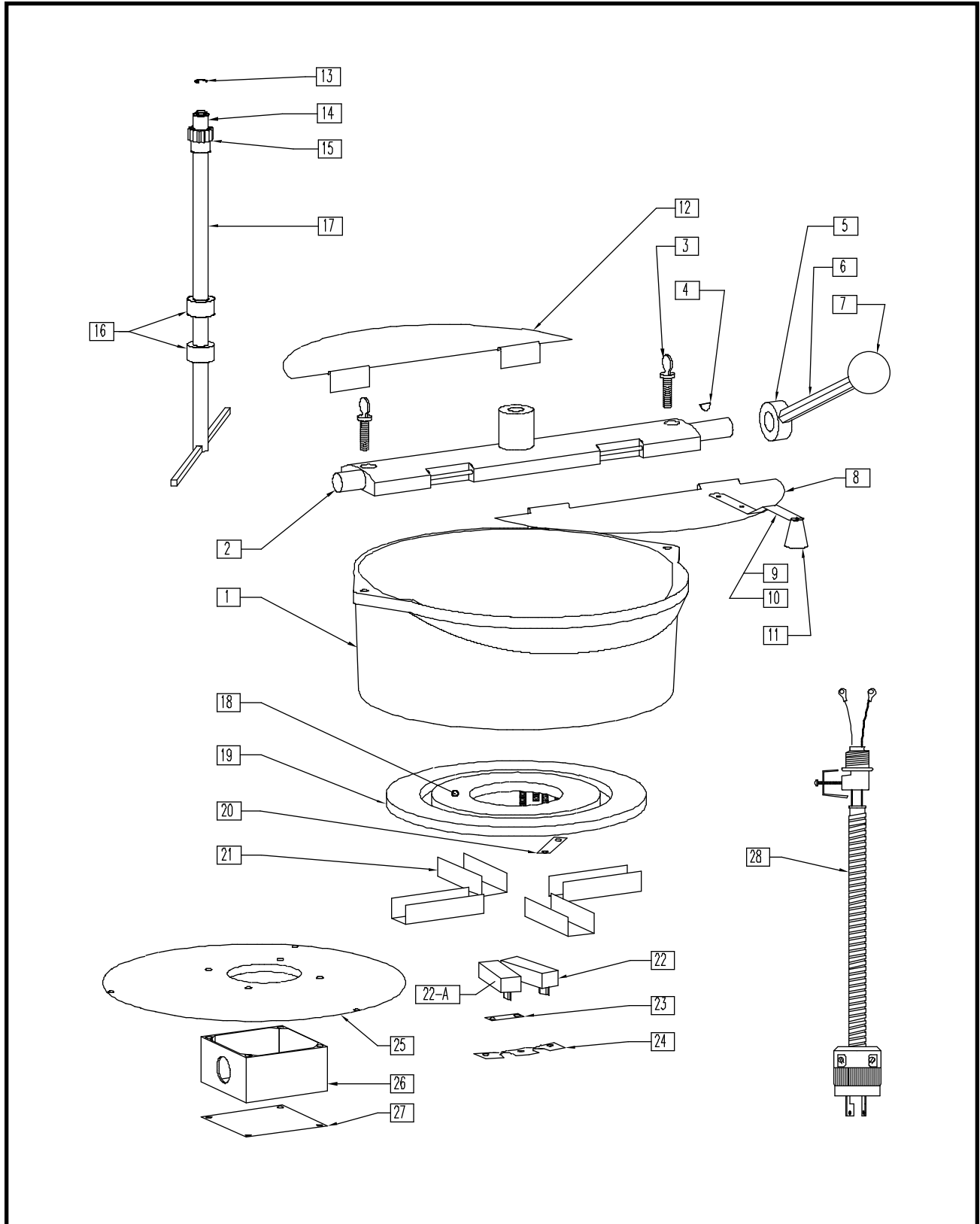
CABINET ASSEMBLY (without Kettle)



PARTS LIST – CABINET ASSEMBLY

Item No.	Part No.	Description
1	16142	Dome Spacer (2)
2	47057	Kettle Drive Motor
3	47059	Gear
4	47208	Terminal Block
5	77073	Kettle Receptacle
6	47262	Hanger Arm
7	47228	Hanger Arm with Pin
8	47065	Gear Box
9	47047	Lamp Socket
10	47161	Lamp, 125 Watt
11	49480	Light Shield, Conical
12	77735	Motor Mount Plate
13	16123	Fiberglass Dome
14	47693	Glass Channel 16 ⁹ / ₁₆ " Long (2)
15	47696	Glass Channel 24" Long
16	47695	Glass Channel 23 ¹³ / ₁₆ " Long (6)
17	77005	Tempered Glass 24" x 24 ³ / ₁₆ " x ¹ / ₈ "
18	47134	Tempered Glass 16 ³ / ₄ " x 24 ³ / ₁₆ " x ¹ / ₈ " (2)
19	41352	Female Hinge Left (2)
20	41350	Male Hinge Left (2)
21	41351	Female Hinge Right (2)
22	41349	Male Hinge Right (2)
23	47022	Glass Strip Front (2)
24	47023	Glass Strip Left Rear
25	47196	Glass Strip Right Rear
26	77737	Glass Strip Cover
27	47561	Magnetic Catch (Not Shown)
28	47559	Magnetic Catch Bracket
29	47201	Switch (3)
30	47328	Foot (4)
31	47003	Old Maid Pan
32	77591	Corner Cover
33	47002	Bottom Frame Welded
34	77082	Corner Post Right Rear
35	77081	Corner Post Front (2)
36	77083	Corner Post Left Rear
37	77732	Top Frame Welded
38	47389	Bottom Cover
39	41013	Door Knob (2)
40	47237	Door Striker (2)
41	77058	Plexiglass Door 11 ¹³ / ₁₆ " x 15 ¹ / ₄ " x ³ / ₁₆ " (2)
42	47006	Drop Panel Welded
43	47727	Molded Receptacle
44	47653	Corn Pan Conduit Cover
45	47726	Molded Plug
46	44026	Strip Heater 75W (Warmer)
47	77076	Corn Pan Assy (Items 43, 44, 45 & 46)
48	87085	Lead-In Cord

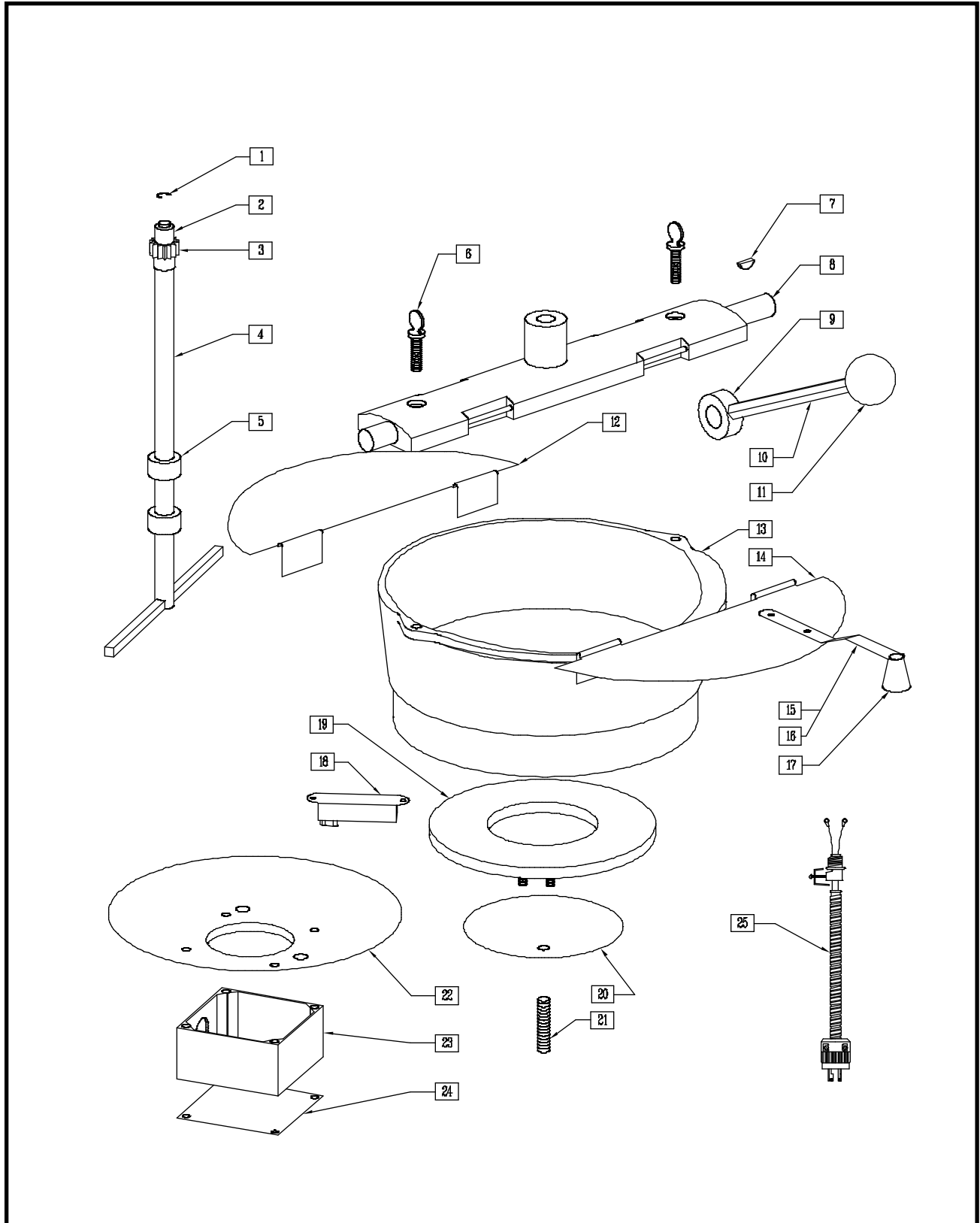
14 Oz. KETTLE ASSEMBLY



PARTS LIST - 14 Oz. KETTLE ASSEMBLY

Item No.	Part No.	Description
1	47074	Kettle Casting
2	47059	Crossbar
3	47691	ThumbScrew (2)
4	41730	Woodruff Key
5	47325	Set Collar, Dump Handle
6	47707	Dump Handle
7	47110	Knob
8	77060	Front Kettle Lid (Includes 9, 10 & 11)
9	47111	Kettle Lid Lifter
10	47112	Rivet Tubular $\frac{1}{8}$ " x $\frac{9}{32}$ " (2)
11	47120	Knob Lid Lift
12	77059	Kettle Lid Rear
13	47107	C-Ring
14	47106	Needle Bearing
15	47059	Spur Gear
16	47326	Set Collar, Agitator (2)
17	77071	Agitator, Shaft
18	47089	500W Heat Element
19	47090	1050W Heat Element
20	47216	Element Shunt Bar
21	47085	Element Retainer
22	47082	Thermostat (2)
23	47685	Thermostat Shunt Bar
24	47087	Thermostat Retainer
25	77066	Kettle Bottom Disc.
26	47393	Junction Box
27	47394	Junction Box Cover
28	77077	Kettle Lead Assembly

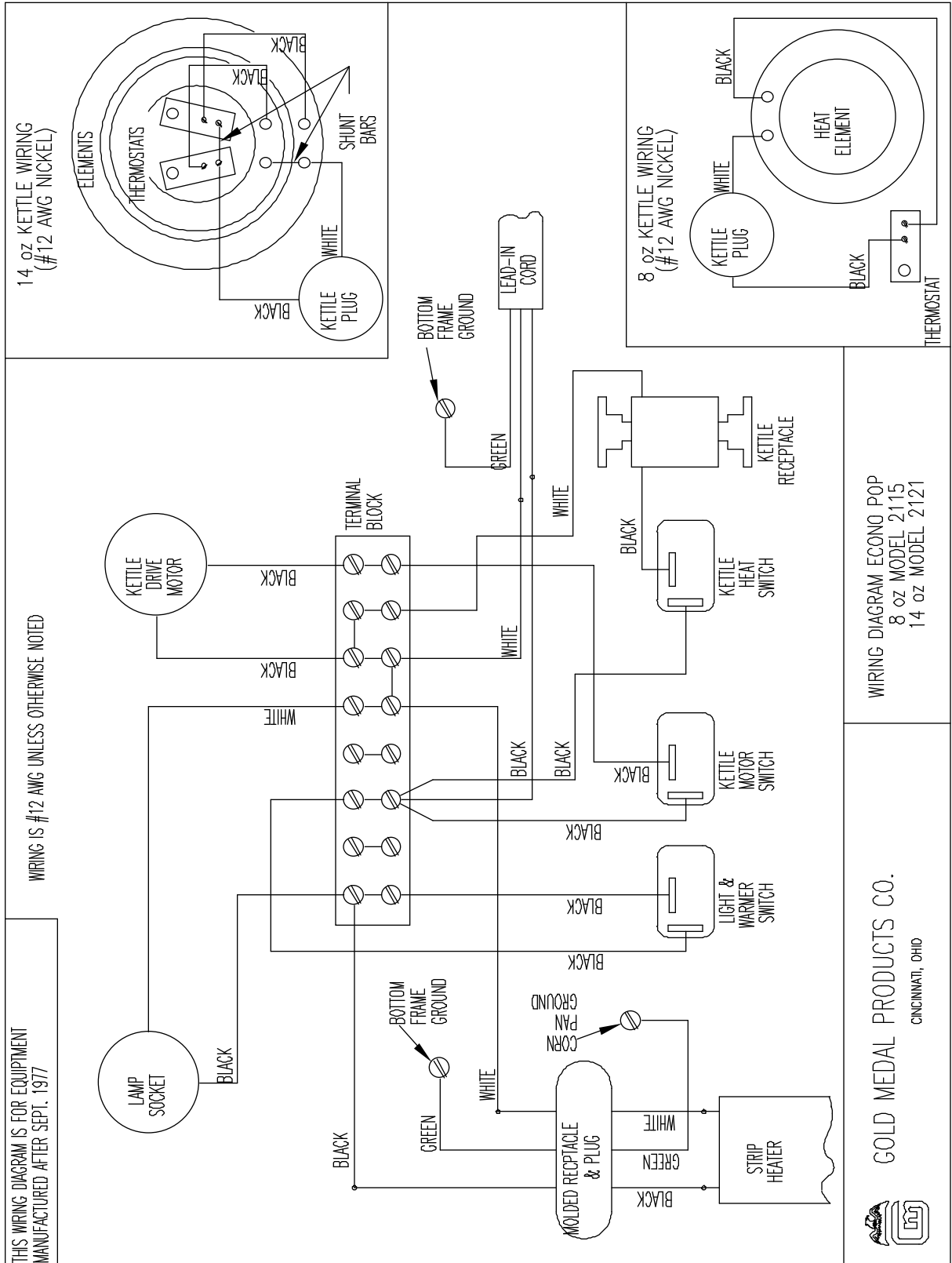
8 Oz. KETTLE ASSEMBLY



PARTS LIST – 8 Oz. KETTLE ASSEMBLY

Item No.	Part No.	Description
1	47107	C-Ring
2	47106	Needle Bearing
3	47059	Spur Gear
4	77022	Agitator
5	47326	Set Collar (2)
6	47691	Thumb Screw ¼-20 x 1" (2)
7	41730	Woodruff Key
8	77061	Crossbar
9	47325	Set Collar, Dump Handle
10	47707	Dump Handle
11	47110	Dump Handle Knob
12	77015	Kettle Lid Rear
13	77030	Kettle
14	77014	Front Kettle Lid (includes 15, 16 & 17)
15	47112	Tubular Rivet 1/8" x 9/32"
16	47111	Kettle Lid Lifter
17	47120	Lid Lift Knob
18	47676	Thermostat
19	47081	Heat Element 1350W
20	47298	Element Retainer
21	47284	Kettle Stud 5/16-18 x 1 ½"
22	77068	Kettle Bottom Disc.
23	47393	Junction Box
24	47394	Junction Box Cover
25	77077	Kettle Lead Assembly

ELECTRICAL SCHEMATIC



THIS WIRING DIAGRAM IS FOR EQUIPMENT MANUFACTURED AFTER SEPT. 1977

WIRING IS #12 AWG UNLESS OTHERWISE NOTED

WIRING DIAGRAM ECONO POP
8 oz MODEL 2115
14 oz MODEL 2121

GOLD MEDAL PRODUCTS CO.
CINCINNATI, OHIO

