

# Film-Tech

The information contained in this Adobe Acrobat pdf file is provided at your own risk and good judgment.

These manuals are designed to facilitate the exchange of information related to cinema projection and film handling, with no warranties nor obligations from the authors, for qualified field service engineers.

If you are not a qualified technician, please make no adjustments to anything you may read about in these Adobe manual downloads.

[www.film-tech.com](http://www.film-tech.com)



# PARTS LIST

FOR

1114  
A107  
A115  
A117  
A118



MODEL [ ] H  
MODEL [ ] HH

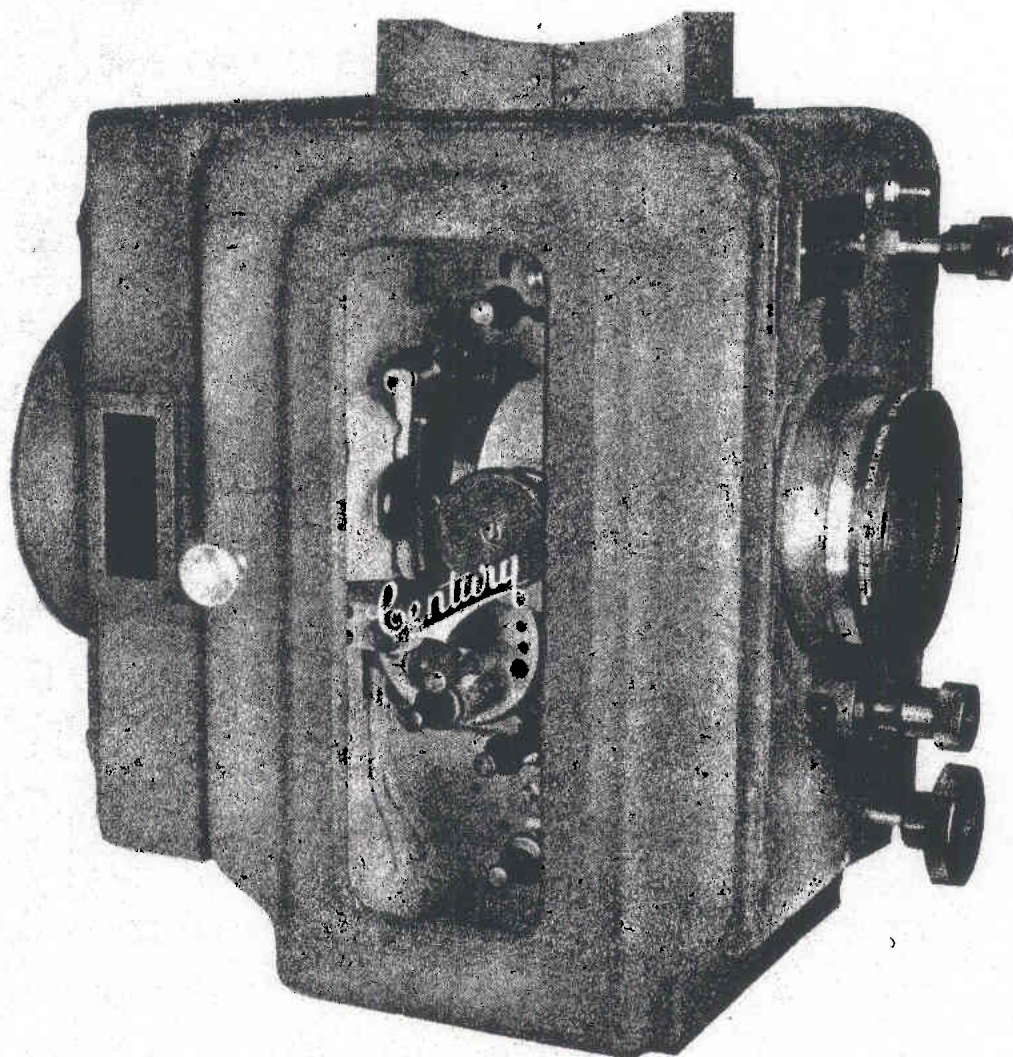
THIS LIST IS SUBJECT TO CHANGE WITHOUT NOTICE  
AND WITHOUT LIABILITY TO CENTURY PROJECTORS

**CENTURY PROJECTOR CORPORATION**

727 SEVENTH AVENUE - NEW YORK, N. Y.



SC 1190- Hopewell  
→



# Contents

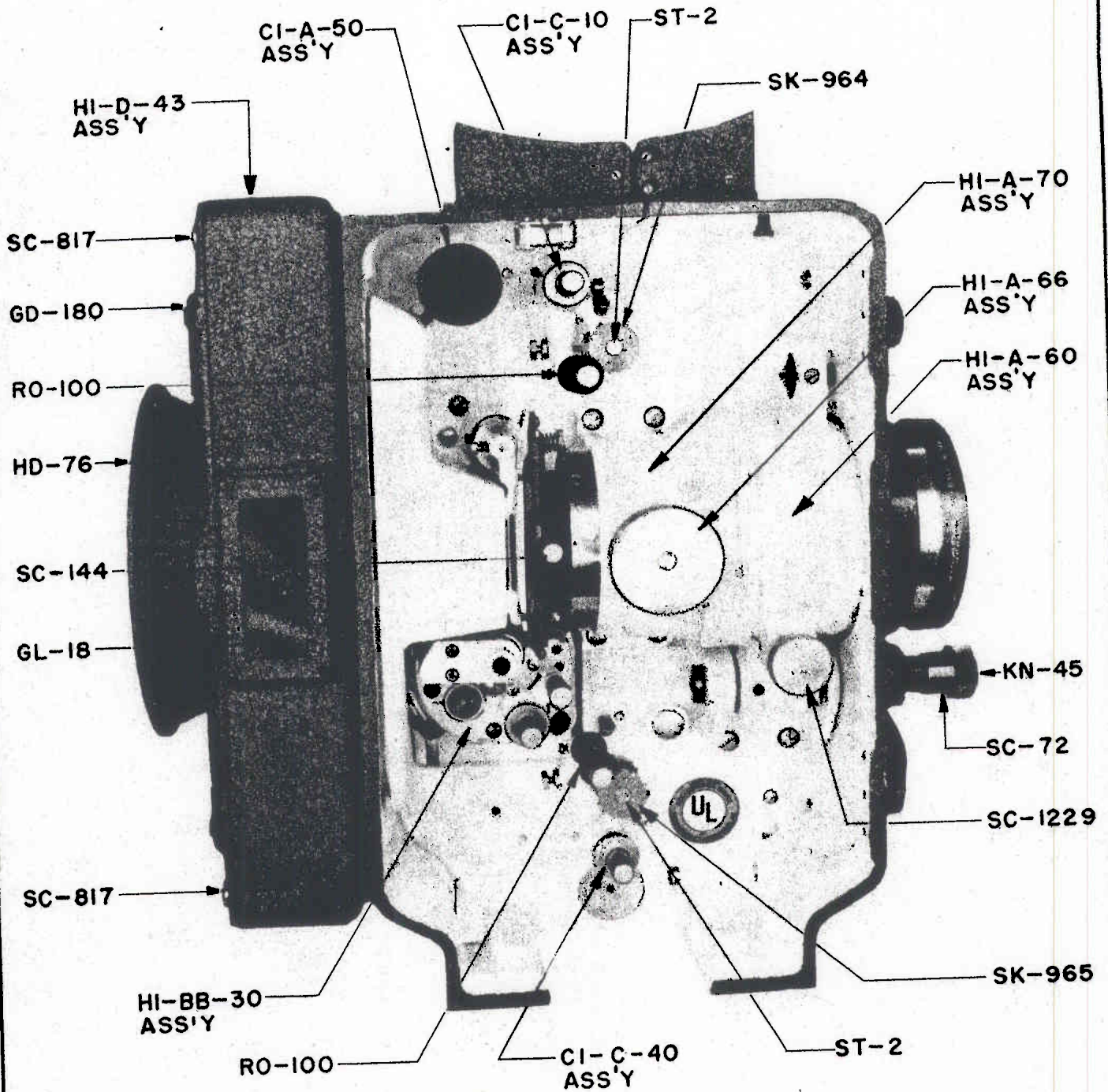
PAGE NUMBER

MAIN FRAME PARTS - - (GEAR AND FILM SIDES) . . . . .	9
OPERATING AND NON-OPERATING SIDE DOORS . . . . .	9
MAGAZINE ROLLER HOLDER - FRAMING SHAFT . . . . .	10
INTERMITTENT CARRIAGE AND SHUTTER ADJUSTMENT . . . . .	10 - 11
PILOT LAMP . . . . .	11
LENS MOUNT AND FILM GATE SUPPORT BRACKET . . . . .	11 - 12
INTERMITTENT MOVEMENT . . . . .	13 - 14
SPROCKET PAD ROLLER ARMS - SPROCKET SHAFTS . . . . .	15
SINGLE SHUTTER SHAFT, BLADE AND HUB . . . . .	16 - 18
SHUTTER GUARD . . . . .	16 - 17
DOUBLE SHUTTER SHAFT, BLADES AND HUBS . . . . .	18 - 20
AUTOMATIC FIRE SHUTTER . . . . .	20
FILM TRAP - HEAT SHIELDS . . . . .	20 - 21
FILM GATE - LATERAL GUIDE ROLLER . . . . .	21
WATER JACKET - APERTURE PLATES . . . . .	22
MAIN DRIVE SHAFT . . . . .	22 - 24
VERTICAL SHAFT (SINGLE AND DOUBLE SHUTTER) . . . . .	23
CONVERSION KITS - ASSOCIATED PARTS . . . . .	24 - 25
WATER RECIRCULATOR - WATER CONNECTORS . . . . .	25 - 26
FRONT LENS SUPPORTS . . . . .	26
LENS - LOCATE RING - DEMAGNETIZER . . . . .	27
LENS ADAPTERS - ACCESSORIES . . . . .	27
 ILLUSTRATIONS MAIN ASSEMBLIES - PARTS . . . . .	 4 - 8

PARTS PRICE LIST FURNISHED ON REQUEST

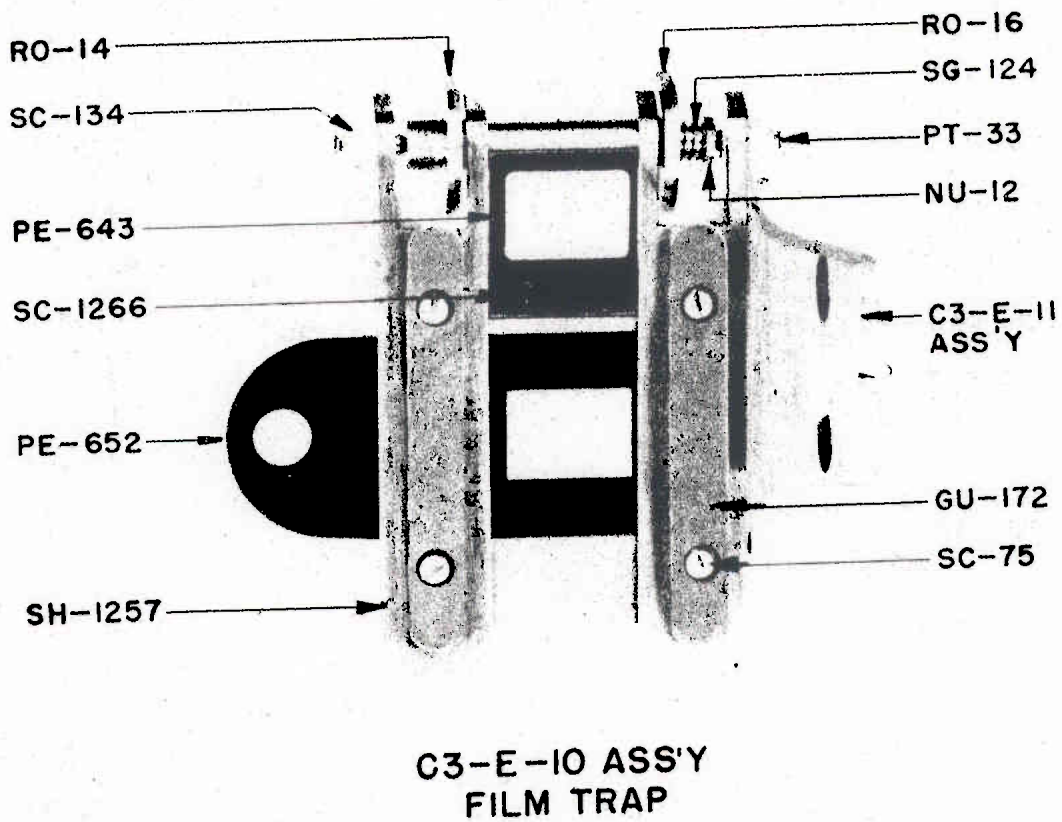
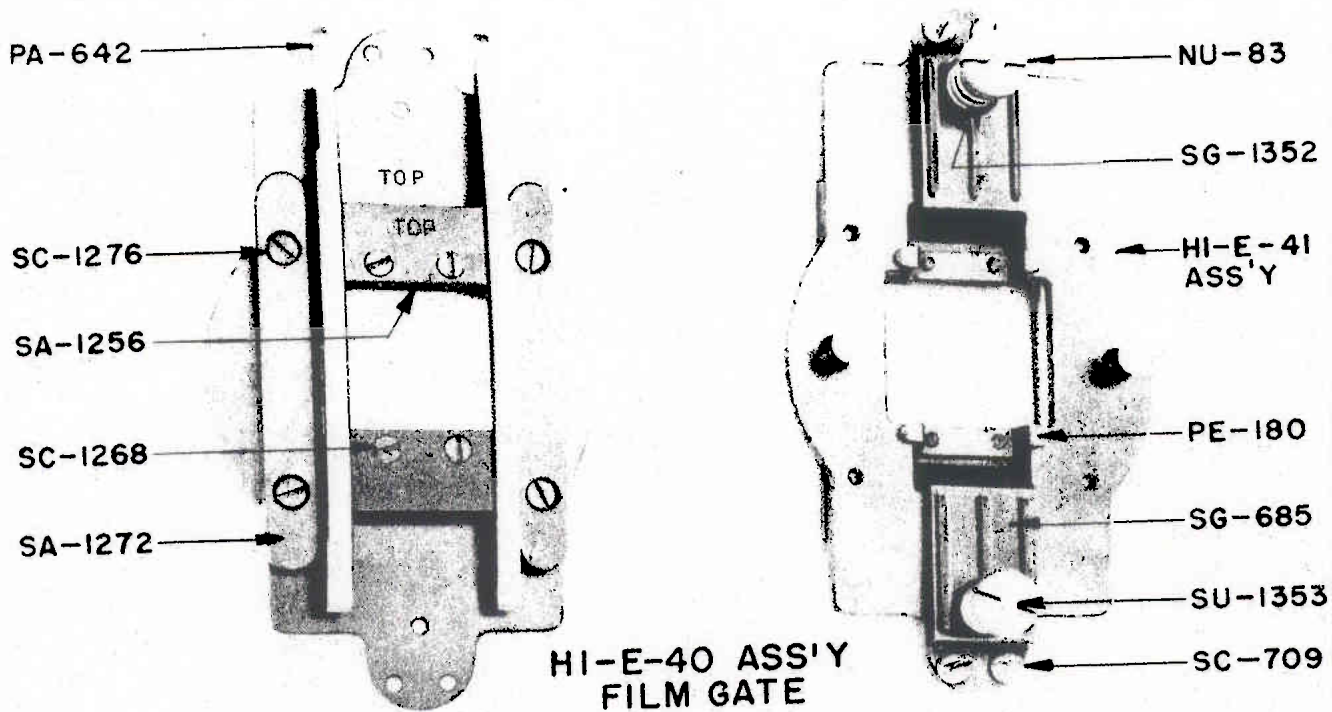


NOTE:  
"ASS'Y" DENOTES COMPLETE ASSEMBLY - NOT A PART.  
CONSULT PARTS BOOK FOR DESCRIPTION AND  
CODE NUMBERS OF COMPONENTS.

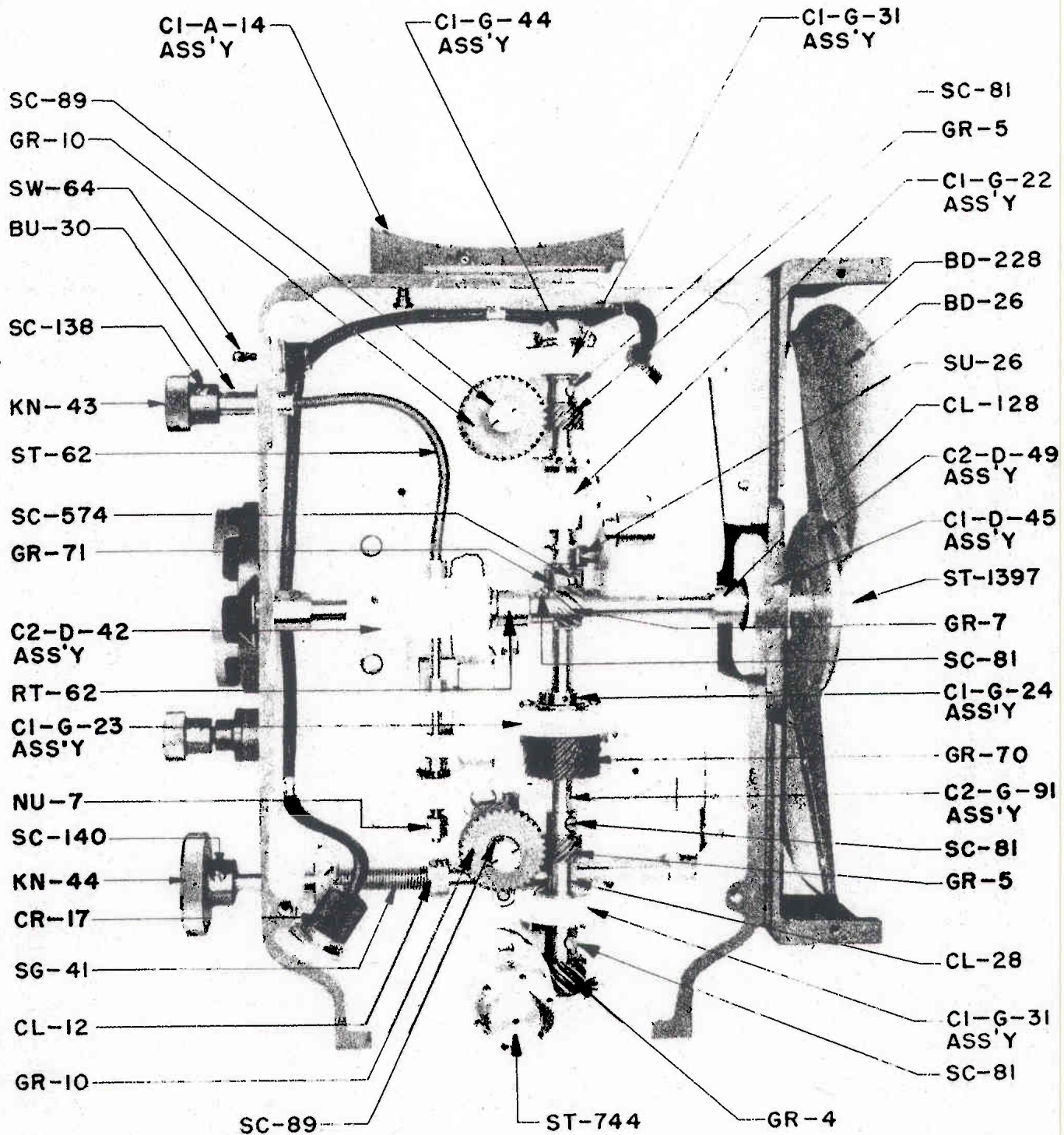


OPERATING SIDE

NOTE:  
 "ASS'Y" DENOTES COMPLETE ASSEMBLY - NOT A PART.  
 CONSULT PARTS BOOK FOR DESCRIPTION AND  
 CODE NUMBERS OF COMPONENTS.



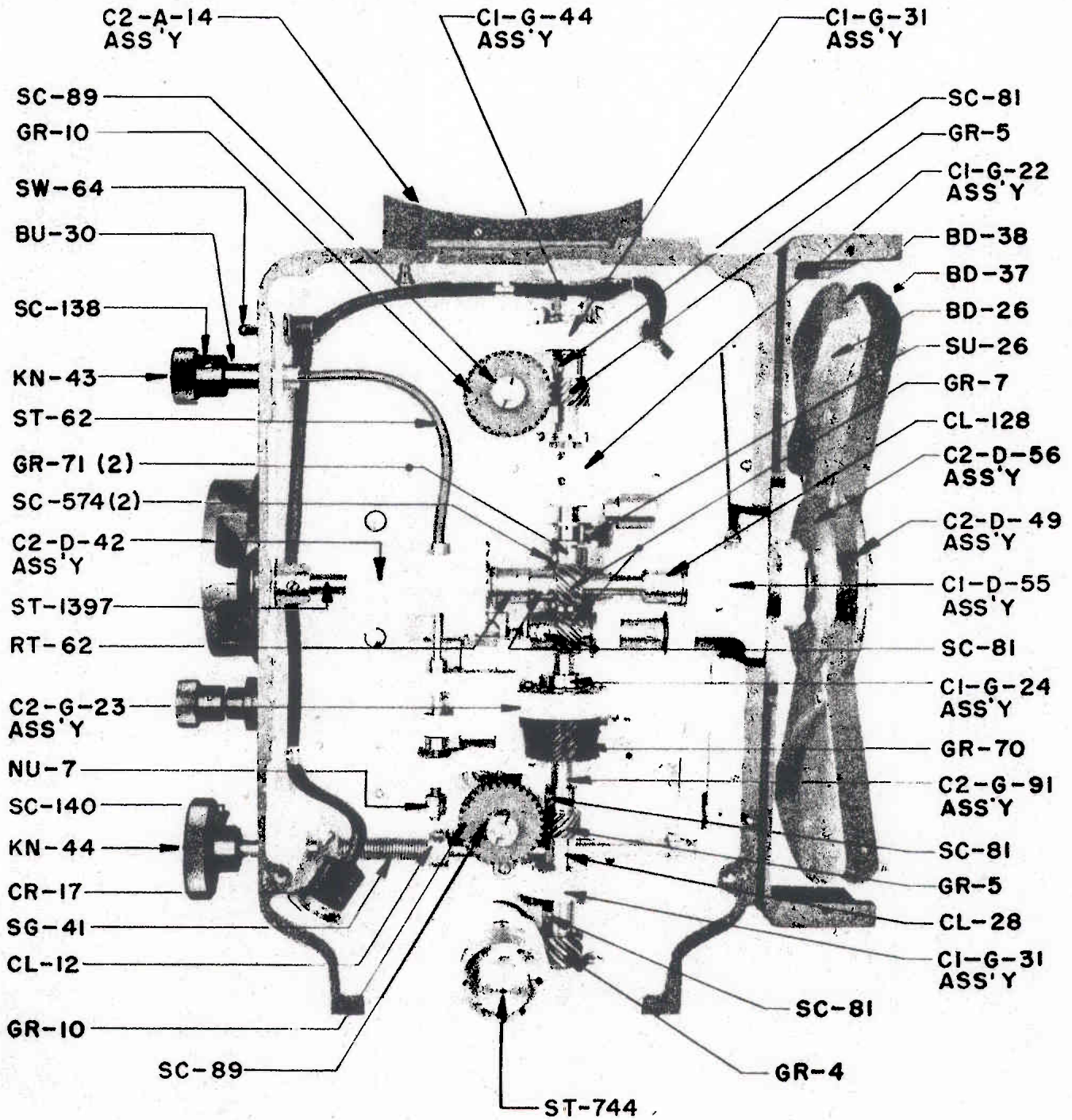




### SINGLE SHUTTER

**NOTE:**

"ASS'Y" DENOTES COMPLETE ASSEMBLY-NOT A PART.  
 CONSULT PARTS BOOK FOR DESCRIPTION AND  
 CODE NUMBERS OF COMPONENTS.



DOUBLE SHUTTER

NOTE:

"ASS'Y" DENOTES COMPLETE ASSEMBLY—NOT A PART.  
 CONSULT PARTS BOOK FOR DESCRIPTION AND  
 CODE NUMBERS OF COMPONENTS.



PART NO.

DESCRIPTION

MAIN FRAME PARTS - (GEAR AND OPERATING SIDES) (MODEL H/HH)

Cl-A-11	Door Hinge & Pin Assembly (4)	
BU-29	Bushing	Sprocket Shaft Bearing (Upper & Lower) (4)
CR-5	Cover	Non-Operating Side Lower
CT-86	Catch	Operating Side Door
CU-22	Cup	Sprocket Shaft Oil (2)
PG-218	Plug	Frame
PG-261	Plug	Water Connector Frame (2)
PN-21	Pin	Gate Tube, Lens Mt. Support & Bearing Bkt, Locate (5)
PN-28	Pin	Fire Trap & Shutter Bkt. Locate (5)
PN-247	Pin	Carriage Stop (Upper & Lower) (2)
SC-17	Screw	Non-Operating Side Door Lock Stop
SC-113	Screw	Non-Operating Side Cover Fasten. (2)
SC-137	Screw	Pad Roller Arm Retain (Upper & Lower) (2)
SC-143	Screw	Main Drive Shaft Retainer Holding
SC-226	Screw	Door Link Stop (2)
SC-565	Screw	Operating Side Door Catch Fasten. (2)
SC-661	Screw	Door Hinge (Mounting to Frame) (12)
SC-680	Screw	Changeover Guide Heat Shield Mt. (2)
SC-739	Screw	Upper Magazine Mounting (2)
SC-817	Screw	Vert. Shaft Drive Gear (Lower) Safety
SD-1130	Shield	Changeover Guide and Heat

H1-A-12 OPERATING SIDE DOOR ASSEMBLY

CP-20	Clamp	Door Glass (6)
DO-63	Door	Operating Side
GL-15	Glass	Door
KN-47	Knob	Door
L1-11	Link	Door Stop
SB-60	Stop	Door Closing - (Felt) (2)
SC-70	Screw	Door Hinge Fasten (6)
SC-123	Screw	Door Glass Clamp and Strike Fasten. (8)
SC-226	Screw	Door Stop Link Fasten
SC-1356	Screw	Door Knob Fasten.
SS-528	Strike	Door

C2-A-13 NON-OPERATING SIDE DOOR ASSEMBLY

Cl-A-15	Door Lock Spring and Button	
DO-57	Door	Non-Operating Side
KN-47	Knob	Door
L1-11	Link	Door Stop
SB-60	Stop	Door Closing (Felt) (2)
SC-70	Screw	Door Hinge Fasten (6)
SC-123	Screw	Door Lock Spring Button Fasten (2)
SC-226	Screw	Door Stop Link Fasten.
SC-1058	Screw	Door Knob Fasten.



PART NO.	DESCRIPTION
C2-A-14	UPPER MAGAZINE ROLLER HOLDER ASSEMBLY
HO-6	Holder Upper Magazine Roller
RO-101	Roller Magazine (Large)
RO-102	Roller Magazine (Small) (2)
SC-115	Screw Roller Retain (6)
SC-116	Screw. Upper Mag. Roller Holder Fasten (Front)
SC-117	Screw Upper Mag. Roller Holder Fasten (Rear) (2)
C1-A-20	FRAMING SHAFT ASSEMBLY COMPLETE
C1-A-21	Framing Shaft and Pinion
CL-12	Collar Framing Shaft
CP-1	Clamp Framing Shaft (Outer)
CP-31	Clamp Framing Shaft (Inner)
KN-44	Knob Framing
SC-73	Screw Framing Shaft Clamp (Upper)
SC-74	Screw Framing Shaft Collar Fasten
SC-132	Screw Framing Shaft Clamp (Lower)
SC-140	Screw Framing Knob Fasten
SG-41	Spring Framing Shaft Tension
WA-11	Washer Framing Shaft Clamp Spacer
C1-A-21	FRAMING SHAFT AND PINION ASSEMBLY
P1-4	Pinion Framing Shaft
PN-29	Pin Framing Shaft Pinion
ST-1	Shaft Framing
C1-A-30	INTERMITTENT CARRIAGE AND SHUTTER ADJUSTMENT ASSEMBLY
C1-A-33	Intermittent Carriage Assembly
BU-30	Bushing Shutter Adjustment Retainer
CG-14	Coupling Shutter Adjustment
KN-43	Knob Shutter Adjustment
RT-10	Retainer Shutter Adjustment Flexible Shaft
SC-77	Screw Shutter Adjustment Coupling & Retainer Fast. (3)
SC-138	Screw Shutter Adjustment Knob Fasten
ST-62	Shaft Shutter Adjustment Flexible
G1-1	Gib Intermittent Carriage
SA-752	Spacer Intermittent Drive Bearing Bracket Screw (2)
SC-71	Screw Intermittent Carriage Gib Fastening (2)
SC-751	Screw Intern. Drive Bearing Bkt. Fasten. (Allen)
SG-58	Spring Intermittent Carriage Gib
WR-133	Wrench Intern. Drive Bearing Bkt. Fasten. Screw (Allen)



PART NO.

DESCRIPTION

CL-A-33	INTERMITTENT CARRIAGE ASSEMBLY	
CL-A-32	Shutter Adjustment Screw and Collar	
CA-4	Carriage	Intermittent
BR-12	Bracket	Shutter Adjustment
GI-6	Gib	Shutter Adjustment Bracket
NU-7	Nut	Shutter Adjustment Screw Stop (2)
PN-22	Pin	Intermittent Carriage Rack
RK-4	Rack	Framing
RT-3	Retainer	Intermittent Carriage Spring (2)
SC-75	Screw	Framing Rack Fastening (2)
SC-78	Screw	Shutter Adjustment Bracket Gib (2)
SC-82	Screw	Intermittent Carriage Spring Retainer (2)
SC-106	Screw	Intermittent Movement Retaining (4)
SG-100	Spring	Shutter Adjustment Bracket Tension
WA-11	Washer	Shutter Adjustment Screw
WA-132	Washer	Shutter Adjusting Bracket Gib Screw Lock (2)

CL-A-50 PILOT LIGHT ASSEMBLY

CL-A-53	Pilot Light Guard and Cap (Glass)	
CL-A-54	Pilot Light Switch, Socket and Wire Assembly	
LT-6	Light	Pilot (Framing)

CP-21	Clamp	Flexible Shield Retaining (4)
SC-112	Screw	Flexible Shield Retaining Clamp (4)

CL-A-52 PILOT LIGHT SOCKET AND GUARD SUPPORT ASSEMBLY

CL-A-51	Pilot Light Socket and Guard Support	
NI-78	Nipple	Pilot Light Socket
NU-6	Nut	Pilot Light Socket Retain. (2)
WA-30	Washer	Pilot Light Socket Spacer

CL-A-54 PILOT LIGHT SWITCH, SOCKET AND WIRE ASSEMBLY

CL-A-52	Pilot Light Socket and Guard Support	
CR-17	Cover	Terminal
PG-18	Plug	Male (Plate and Locking Ring)
PG-51	Plug	Female (Cover)
SW-64	Switch	Pilot Light
TU-3	Tube	Pilot Light Flexible Shield (Long)
TU-4	Tube	Pilot Light Flexible Shield (Short)
WI-13	Wire	Pilot Light Connection

HL-A-60 LENS MOUNT ASSEMBLY COMPLETE

BR-601	Bracket	Lens Mount Clamp
BR-663	Bracket	Lens Mount Clamp Support
CL-554	Collar	Focusing Screw
KN-45	Knob	Focus
PG-301	Plug	Focus Screw
RD-150	Rod	Lens Clamp Bracket Guide (Lower)



ART NO.

DESCRIPTION

ART NO.	DESCRIPTION	
H1-A-60	LENS MOUNT ASSEMBLY COMPLETE (CONTINUED)	
SA-1226	Spacer	Focus Screw
SC-72	Screw	Focus Knob Fasten
SC-105	Screw	Focus Screw Spacer Retaining (3)
SC-501	Screw	Lens Clamp Bkt Rod Fasten (2)
SC-678	Screw	Focus Screw Plug Spring Retain
SC-1229	Screw	Lens Clamp Knurled
SC-1231	Screw	Lens Clamp Bracket Adjust. (2)
SC-1235	Screw	Lens Clamp Bracket Adjust Lock (2)
SC-1236	Screw	Focus Screw Collar Fast. (2)
SC-1362	Screw	Focus
SG-999	Spring	Focus Screw Plug Retain
WA-163	Washer	Focus Screw Thrust (2)
SC-88	Screw	Lens Clamp Bracket Locate Stud Fasten. (3)
SC-137	Screw	Lens Mount Support Mount (4)
SU-1357	Stud	Lens Clamp Bracket Locate (Upper)
H1-A-66	FILM GATE OPEN & CLOSE LOCK & KNOB ASSEMBLY	
CI-A-67	Film Gate Lock Shaft & Pin	
KN-27	Knob	Film Gate Open & Close Assembly
LO-45	Lock	Film Gate Open & Close Housing
SC-99	Screw	Film Gate Open & Close Knob Fast.
SG-14	Spring	Film Gate Open & Close Pressure
WA-135	Washer	Film Gate Lock Shaft
H1-A-70	FILM GATE SUPPORT TUBE & BRACKET ASSEMBLY	
H1-A-63	Film Gate Support Tube and Adapter	
H1-A-66	Film Gate Opening and Closing Knob Assembly	
BR-661	Bracket	Gate Support Tube and Knob Housing
EC-1	Eccentric	Film Gate Alignment
SC-131	Screw	Film Gate Knob Assembly Retain (2)
SC-144	Screw	Film Gate Retaining Thumb
SC-1355	Screw	Film Gate Alignment Eccentric Lock
SC-137	Screw	Film Gate Support Tube & Bracket Ass'y Mount (4)

PART NO.

DESCRIPTION

HL-BB-30	INTERMITTENT MOVEMENT ASSEMBLY COMPLETE	
HL-BB-16	Intermittent Cover, Starwheel Outer Bushing & Bkt. Assembly	
HL-BB-17	Intermittent Case and Bushing Assembly	
CL-BB-26	Intermittent Sprocket Pad & Arm Assembly	
HL-BB-31	Cam Thrust Ball Bearing and Bracket Assembly	
CL-530	Collar	Starwheel Shaft Thrust
CM-528	Cam	Intermittent (Includes - PN-615)
GA-181	Gasket	Intermittent Case-Cover Oil Seal
GR-7	Gear	Cam Shaft Driven (Steel)
NU-81	Nut	Intermittent Sprocket Fasten Screw
PE-38	Plate	Stop (Large) (Bottom)
PE-40	Plate	Stop (Small) (Top)
PN-615	Pin	Intermittent Cam
SA-1321	Spacer	Cam Thrust Bracket
SC-3	Screw	Flywheel Fastening
SC-39	Screw	Starwheel and Cam Adjustment (2)
SC-69	Screw	Cam Thrust Bracket
SC-81	Screw	Cam Shaft Gear Fasten
SC-104	Screw	Intermittent Cover Fasten (4)
SC-134	Screw	Stop Plate Retaining
SC-155	Screw	Inter. Sprocket Pad Arm Ass'y Retain (Allen)
SC-1010	Screw	Intermittent Cover Oil Drain
SC-1235	Screw	Starwheel Shaft Thrust Collar Fasten. (2)
SC-1322	Screw	Intermittent Sprocket Fasten
SK-1263	Sprocket	Intermittent (Includes - NU-81 - SC-1322)
SX-1323	Starwheel	Intermittent
WA-12	Washer	Cover Oil Drain Screw (Copper)
WA-65	Washer	Cover Fasten and Oil Drain Screw (Steel) (5)
WA-126	Washer	Cover Oil Drain Screw (Fibre)
WH-124	Flywheel	Intermittent
HL-BB-16	INTERMITTENT COVER AND STARWHEEL OUTER BUSHING & BKT. ASSEMBLY	
HL-BB-34	Starwheel Outer Bushing and Bracket	
BU-645	Bushing	Starwheel Shaft (Inner)
CR-297	Cover	Intermittent Case
CU-22	Cup	Intermittent Case-Cover Oil
SC-94	Screw	Intermittent Film Stripper Fasten.
SC-105	Screw	Starwheel Shaft Inner Bushing Fast. (3)
SC-217	Screw	Cam Shaft Adjusting Plug
SC-1190	Screw	Starwheel Outer Bushing Bracket Mount (Allen)(2)
SP-1326	Stripper	Intermittent Film
WA-28	Washer	Cam Shaft Adjust. Plug
WN-192	Window	Oil Level



PART NO.	DESCRIPTION	
HL-BB-17	INTERMITTENT CASE AND BUSHING ASSEMBLY	
BU-21	Bushing	Cam Shaft (Inner)
BU-40	Bushing	Cam Shaft (Outer) (Oilite)
CS-529	Case	Intermittent
PG-159	Plug	Case Oil Hole (Felt)
PN-32	Pin	Adjusting Pivot
SC-7	Screw	Cam Shaft Inner Bushing Fasten (3)
C1-BB-26	INTERMITTENT SPROCKET PAD AND ARM ASSEMBLY	
C1-BB-27	Intermittent Pad Spring Stud and Plate	
C1-BB-28	Intermittent Sprocket Pad Assembly	
C1-BB-29	Intermittent Sprocket Pad Stud and Bushing	
AR-46	Arm	Intermittent Sprocket Pad
BL-18	Ball	Intermittent Sprocket Pad Arm (2)
KN-30	Knob	Intermittent Sprocket Pad Arm
NU-46	Nut	Intermittent Pad Adjusting Spring
SC-82	Screw	Spring Stud Plate Fastening
SC-127	Screw	Knob Fastening
SC-708	Screw	Intermittent Pad Adjusting Spring Nut Stop
SG-21	Spring	Intermittent Sprocket Pad Arm Ball (2)
SG-705	Spring	Intermittent Pad Adjusting
CI-BF-28	INTERMITTENT SPROCKET PAD ASSEMBLY	
PA-194	Pad	Intermittent Sprocket (Inner)
PA-195	Pad	Intermittent Sprocket (Outer) (2)
SA-33	Spacer	Intermittent Sprocket Pad (4)
SC-377	Screw	Intermittent Sprocket Pad Fasten (4)
WA-151	Washer	Intermittent Sprocket Pad Fasten Screw Lock (4)
C1-BB-29	INTERMITTENT SPROCKET PAD STUD AND BUSHING ASSEMBLY	
BU-27	Bushing	Intermittent Sprocket Pad Stud (C1-BB-29)
KN-24	Knob	Intermittent Sprocket Pad Stud (C1-BB-29)
PN-25	Pin	Intermittent Sprocket Pad Stud Bushing
PN-36	Pin	Intermittent Sprocket Pad Stud Knob Stop
PN-68	Pin	Intermittent Sprocket Pad Stud Knob Fasten.
SU-4	Stud	Intermittent Sprocket Pad (C1-BB-29)
HL-BB-31	INTERMITTENT CAM THRUST BALL BEARING AND BRACKET ASSEMBLY	
C1-BB-11	Intermittent Cam Thrust Ball Bearing	
BR-643	Bracket	Intermittent Cam Thrust
SC-85	Screw	Intermittent Cam Thrust Bearing
HL-BB-34	STARWHEEL SHAFT OUTER BRACKET AND BUSHING ASSEMBLY	
BR-644	Bracket	Starwheel Shaft (Outer)
BU-646	Bushing	Starwheel Shaft (Outer)
PN-665	Pin	Starwheel Shaft Bracket Locate (2)

PART NO.

DESCRIPTION

C1-C-10	UPPER PAD ROLLER ARM ASSEMBLY (COMPLETE)	
C1-C-13	Upper Pad Roller Arm Stud, Knob and Bushing	
C1-C-21	Pad Roller Shaft and Knob	
AR-1	Arm	Upper Pad Roller
BL-18	Ball	Pad Roller Arm (2)
NU-8	Nut	Pad Roller Adjusting Screw Stop
RO-100	Roller	Pad
SC-87	Screw	Pad Roller Adjusting
SC-88	Screw	Pad Roller Shaft and Knob Retaining
SG-21	Spring	Pad Roller Arm (2)
C1-C-13	UPPER PAD ROLLER ARM STUD, KNOB AND BUSHING	
C1-C-11	Upper Pad Roller Arm Stud and Knob (C1-C-13)	
BU-27	Bushing	Pad Roller Arm Stud (C1-C-13)
PN-25	Pin	Pad Roller Arm Stud Bushing Fastening
C1-C-40	LOWER PAD ROLLER ARM ASSEMBLY (COMPLETE)	
C1-C-21	Pad Roller Shaft and Knob	
C1-C-41	Lower Pad Roller Arm Stud, Knob and Bushing	
AR-21	Arm	Lower Pad Roller
BL-18	Ball	Pad Roller Arm (2)
NU-8	Nut	Pad Roller Adjusting Screw Stop
RO-100	Roller	Pad
SC-87	Screw	Pad Roller Adjusting
SC-88	Screw	Pad Roller Shaft and Knob Retaining
SG-21	Spring	Pad Roller Arm (2)
SC-137	Screw	Pad Roller Assembly Retaining (Upper & Lower)(2)
C1-C-41	LOWER PAD ROLLER ARM STUD, KNOB AND BUSHING	
C1-C-42	Lower Pad Roller Arm Stud and Knob (C1-C-41)	
BU-27	Bushing	Pad Roller Arm Stud (C1-C-41)
PN-25	Pin	Pad Roller Arm Stud Bushing Fastening
C2-D-10	UPPER SPROCKET SHAFT ASSEMBLY (COMPLETE)	
GR-10	Gear	Sprocket Shaft Driven (Formica)
SC-89	Screw	Sprocket and Gear Fasten (2)
SK-964	Sprocket	Upper
ST-2	Shaft	Sprocket
C2-D-20	LOWER SPROCKET SHAFT ASSEMBLY (COMPLETE)	
GR-10	Gear	Sprocket Shaft Driven (Formica)
SC-89	Screw	Sprocket and Gear Fasten (2)
SK-965	Sprocket	Lower
ST-2	Shaft	Sprocket



ART NO.	DESCRIPTION
H1-D-40	SINGLE SHUTTER SHAFT, BALL BEARING, BKTS. & BLADE ASSEMBLY
C2-D-41	Single Shutter Blade and Hub (In Door Theatre)
H1-D-44	Single Shutter Ball Bearings, Bracket and Shaft
KN-12	Knob Shutter Shaft Indicator
SC-74	Screw Indicator Knob Fasten
SG-16	Spring Single Shutter Shaft Hub Spacing
H2-D-40	SINGLE SHUTTER SHAFT, BALL BEARING, BKTS. AND BLADE ASSEMBLY SAME AS H1-D-40 - <u>EXCEPTION</u> C3-D-41 REPLACES C2-D-41 (FOR DRIVE-IN THEATRE)
SC-137	Screw Single Shutter Shaft & Bracket Assembly Mount (6)
C1-D-41	SINGLE SHUTTER BLADE AND HUB ASSEMBLY (SPECIAL)
C1-D-48	Single Shutter and Fan Blades (Special) (90°)
C2-D-49	Single Shutter Hub and Clamp Screws
SC-128	Screw Single Shutter and Hub Fasten (5)
C2-D-41	SINGLE SHUTTER BLADE AND HUB ASSEMBLY (IN DOOR THEATRE)
C2-D-48	Single Shutter and Fan Blades (In Door)
C2-D-49	Single Shutter Hub and Clamp Screws
SC-128	Screw Single Shutter and Hub Fasten (5)
C3-D-41	SINGLE SHUTTER BLADE AND HUB ASSEMBLY (DRIVE-IN THEATRE)
C3-D-48	Single Shutter and Fan Blades (Drive-In)
C2-D-49	Single Shutter Hub and Clamp Screws
SC-128	Screw Single Shutter and Hub Fasten (5)
C2-D-42	SHUTTER SHAFT BALL BEARING AND BRACKET ASSEMBLY (FRONT)
BG-9	Bearing Ball
BR-186	Bracket Ball Bearing (Front)
SC-127	Screw Ball Bearing Retaining (3)
H1-D-43	OPERATING SIDE SHUTTER GUARD ASSEMBLY (FIXED)
GD-179	Guard Operating Side Shutter (H1-D-43)
GL-18	Glass Spot Sight
HO-5	Holder Spot Sight Glass
PN-26	Pin Spot Sight Spring
PN-647	Pin Shutter Guard Blade Setting
SC-92	Screw Spot Sight Glass Holder Retain (4)
SG-44	Spring Spot Sight Glass

PART NO.	DESCRIPTION
H1-D-44	SINGLE SHUTTER SHAFT, BALL BEARING & BRACKET ASSEMBLY
C2-D-42	Shutter Shaft Ball Bearing & Bracket (Front)
C1-D-45	Single Shutter Shaft Ball Bearing & Fracket (Rear)
CL-128	Collar Ball Bearing Thrust (Rear)
GR-7	Gear Shutter Shaft Driven (Steel)
RT-61	Retainer Ball Bearing Thrust Washer (2)
RT-62	Retainer Ball Bearing Pressure Spring (Front)
SC-23	Screw Thrust Collar Fasten.
SC-81	Screw Shutter Shaft Driven Gear Fasten.
SG-68	Spring Ball Bearing Pressure (Front)
ST-1397	Shaft Shutter
WA-130	Washer Ball Bearing Thrust (Neoprene) (2)
WA-131	Washer Ball Bearing Thrust (Steel) (2)
C1-D-45	SINGLE SHUTTER SHAFT, BALL BEARING & BRACKET ASSEMBLY (REAR)
BG-9	Bearing Ball
BR-14	Bracket Ball Bearing (Rear)
SC-127	Screw Ball Bearing Retaining (4)
H1-D-46	SHUTTER GUARD ASSEMBLY (COMPLETE)
H1-D-43	Operating Side Shutter Guard (Fixed)
GD-180	Guard Removable Shutter
HD-76	Hood Light
SC-679	Screw Removable Shutter Guard Fast. (2)
SC-817	Screw Removable Shutter Guard Fasten. (Rear) (2)
SC-1265	Screw Light Hood Fasten. (3)
SC-90	Screw Fixed Shutter Guard Mount (4)
C1-D-48	SINGLE SHUTTER AND FAN BLADE ASSEMBLY (SPECIAL)
BD-26	Blade Shutter Fan (2)
BD-31	Blade Single Shutter (90°) (Special)
SC-94	Screw Shutter and Fan Blade Fasten. (6)
C2-D-48	SINGLE SHUTTER AND FAN BLADE ASSEMBLY (INDOOR)
BD-26	Blade Shutter Fan (2)
BD-228	Blade Single Shutter (Indoor)
SC-94	Screw Shutter and Fan Blade Fasten (6)
C3-D-48	SINGLE SHUTTER AND FAN BLADE ASSEMBLY (DRIVE-IN)
BD-26	Blade Shutter Fan (2)
BD-229	Blade Single Shutter (Drive-In)
SC-94	Screw Shutter and Fan Blade Fasten. (6)



## ART NO.

## DESCRIPTION

C2-D-49	SINGLE AND DOUBLE SHUTTER (OUTER) HUB ASSEMBLY
HE-44	Hub Shutter (C2-D-49)
SC-122	Screw Shutter Hub Clamp (2)
H1-D-50	DOUBLE SHUTTER SHAFT, BEARING, BKTS, GEARS & BLADE ASSEMBLY
C2-D-51	Shutter Blade and Hub (Indoor) - (Inner)
C2-D-52	Shutter Blade and Hub (Indoor) - (Outer)
H1-D-54	Double Shutter Shaft, Bearings, Bkts and Gears
KN-12	Knob Shutter Shaft Indicator
SC-74	Screw Indicator Knob Fastening
SG-16	Spring Double Shutter Hub Spacing
H2-D-50	DOUBLE SHUTTER SHAFT, BEARING, BKTS, GEARS & BLADE ASSEMBLY SAME AS H1-D-50 - <u>EXCEPTION</u> C3-D-51 & C3-D-52 REPLACES C2-D-51 & C2-D-52 (FOR DRIVE-IN THEATRE)
SC-137	Screw Double Shutter Shaft Assembly Mount (6)
C2-D-51	DOUBLE SHUTTER BLADE AND HUB ASSEMBLY (INNER)
C2-D-56	Double Shutter Hub and Clamp Screws (Inner)
C1-D-59	Double Shutter and Fan Blades (Indoor) (Inner)
SC-128	Screw Shutter and Hub Fasten (5)
C3-D-51	DOUBLE SHUTTER BLADE AND HUB ASSEMBLY (DRIVE-IN) (INNER)
C2-D-56	Double Shutter Hub and Clamp Screws (Inner)
C3-D-58	Double Shutter and Fan Blades (Drive-In Theatre)
SC-128	Screw Shutter and Hub Fasten (5)
C2-D-52	DOUBLE SHUTTER BLADE AND HUB ASSEMBLY (OUTER)
C2-D-49	Double Shutter Hub and Clamp Screws (Outer)
C1-D-58	Double Shutter and Fan Blades (Indoor) (Outer)
SC-128	Screw Shutter and Hub Fasten (5)
C3-D-52	DOUBLE SHUTTER BLADE AND HUB ASSEMBLY (DRIVE-IN) (OUTER)
C2-D-49	Shutter Hub and Clamp Screws (OUTER)
C3-D-58	Double Shutter and Fan Blades (Drive-In Theatre)
SC-128	Screw Shutter and Hub Fasten. (5)
C1-D-53	DOUBLE SHUTTER SHAFT BALL BEARING & BKT ASSEMBLY (REAR-OUTER)
BG-11	Bearing Ball (Matched Pair) (Rear-Outer)
BR-15	Bracket Double Shutter Shaft Ball Bearing (Rear-Outer)
SC-127	Screw Ball Bearing Retain. (4)

ART NO. DESCRIPTION

H1-D-54 DOUBLE SHUTTER SHAFT, BALL BEARINGS & BKTS. ASSEMBLY  
 C2-D-42 Shutter Shaft Ball Bearing and Bracket (Front)  
 C1-D-55 Double Shutter Intermediate Shaft, Gears, Ball Bearings & Bkts  
 CL-128 Collar Shutter Shaft Ball Bearing Thrust (Rear)  
 GR-7 Gear Shutter Shaft Driven (Steel)  
 RT-61 Retainer Ball Bearing Thrust Washer (2)  
 RT-62 Retainer Ball Bearing Pressure Spring (Front)  
 SC-23 Screw Ball Bearing Thrust Collar Fasten.  
 SC-81 Screw Shutter Shaft Driven Gear Fasten  
 SG-68 Spring Ball Bearing Pressure (Front)  
 ST-1397 Shaft Shutter (Direct)  
 WA-130 Washer Ball Bearing Thrust (Neoprene) (2)  
 WA-131 Washer Ball Bearing Thrust (Steel) (2)

C1-D-55 DOUBLE SHUTTER INTERMEDIATE SHAFT, GEARS, BALL BEARINGS & BKTS  
 C1-D-53 Double Shutter Ball Bearing and Bracket (Rear - Outer)  
 BG-9 Bearing Direct Shutter Shaft Intermediate Bracket Ball  
 BG-10 Bearing Intermediate Shutter Shaft Ball (2)  
 BR-16 Bracket Intermediate Shutter Shaft  
 CL-10 Collar Reverse Steel Gear Retain (Rear)  
 CL-35 Collar Intermediate Shutter Shaft Ball Bearing Thrust  
 CU-22 Cup Intermediate Bracket Oil  
 GR-7 Gear Intermediate Shutter Shaft Driven (Steel)  
 GR-13 Gear Double Shutter Reverse Driven (Steel)  
 GR-72 Gear Double Shutter Reverse Drive (Formica)  
 SC-81 Screw Intermediate Shutter Shaft Driven Gear Fast.  
 SC-39 Screw Intermed. Shutter Shaft Collar & Formica Gear (2)  
 SC-112 Screw Intermediate Shutter Shaft Ball Bearing Retain(3)  
 SC-131 Screw Reverse Steel Gear Collar & Ball Bearing Ret.(5)  
 SC-137 Screw Intermediate Bracket Mount (4)  
 SG-86 Spring Intermediate Shutter Shaft Ball Bearing Thrust  
 ST-765 Shaft Intermediate Shutter  
 WA-4 Washer Reverse Shutter Steel Gear Thrust (Fibre) (2)  
 WA-5 Washer Intermediate Shutter Shaft Thrust (Fibre)  
 WA-9 Washer Reverse Shutter Steel Gear Thrust (Steel) (2)  
 WA-17 Washer Intermediate Shutter Shaft Thrust (Steel) (2)

C2-D-56 REVERSE DOUBLE SHUTTER HUB ASSEMBLY (INNER)  
 HB-45 Hub Reverse Shutter (Inner) (C2-D-56)  
 SC-122 Screw Reverse Shutter Hub Clamp (2)

C1-D-58 DOUBLE SHUTTER AND FAN BLADES (OUTER)  
 BD-26 Blade Shutter Fan (2)  
 BD-37 Blade Double Shutter (In-Door) (Outer)  
 SC-94 Screw Shutter and Fan Blade Fasten. (6)

C3-D-58 DOUBLE SHUTTER AND FAN BLADES (DRIVE-IN) (INNER & OUTER)  
 BD-564 Blade Shutter Fan (2)  
 BD-568 Blade Double Shutter (Drive-In) (Inner & Outer)  
 SC-94 Screw Shutter and Fan Blade Fasten. (6)



PART NO.	DESCRIPTION	
C1-D-59	DOUBLE SHUTTER AND FAN BLADE ASSEMBLY (INNER)	
BD-26	Blade	Shutter Fan (2)
BD-38	Blade	Double Shutter (Indoor) (Inner)
SC-94	Screw	Shutter and Fan Blade Fasten (6)
C1-D-60	AUTOMATIC FIRE SHUTTER ASSEMBLY	
C1-D-64	Fire Shutter Arm and Shaft	
BG-17	Bearing	Fire Shutter Dowser Pivot (Casting)
CK-11	Crank	Fire Shutter
SC-72	Screw	Fire Shutter Weight Fasten.
SC-95	Screw	Fire Shutter Crank Fasten. (2)
SC-97	Screw	Fire Shutter Lifting Stud
SU-26	Stud	Fire Shutter Lifting (Fibre)
WT-8	Weight	Fire Shutter
SC-137	Screw	Fire Shutter Assembly Mount (2)
H1-D-70	ASBESTOS PLATES AND LIGHT SHIELD ASSEMBLY (STANDARD)	
C2-D-71	Asbestos Cooling Plates	
SC-51	Screw	Light Shield Mounting (2)
SC-82	Screw	Asbestos Cooling Plates Mounting (3)
SD-1337	Shield	Light (Standard)
H2-D-70	LIGHT SHIELD ASSEMBLY (WATER-COOL)	
SC-51	Screw	Light Shield Mount (2)
SD-1338	Shield	Light (Water-Cool)
C2-D-71	ASBESTOS COOLING PLATE ASSEMBLY	
SA-558	Spacer	Asbestos Cooling Plate (4)
SC-59	Screw	Asbestos Cooling Plate Spacer (4)
SD-969	Shield	Asbestos (Rear)
SD-970	Shield	Asbestos (Front)
C3-E-10	FILM TRAP ASSEMBLY COMPLETE (CURVED TYPE), (NON-WATER COOL)	
C3-E-11	Film Trap, Pin and Frame Plate (Non-Water Cool)	
C1-E-12	Lateral Guide Roller Assembly	
GU-172	Guide	Film Trap Shoe (Curved) (2)
PE-652	Plate	Aperture (.600 x .825)
PT-33	Pivot	Lateral Guide Roller Assembly (2)
SC-75	Screw	Film Trap Shoe and Guide Fasten. (4)
SC-134	Screw	Lateral Guide Roller Assembly Pivot Retain. (2)
SH-1257	Shoe	Film Trap (Curved) (2)
SC-137	Screw	Film Trap Mount (3)

## PART NO.

## DESCRIPTION

H1-E-10	FILM TRAP ASSEMBLY COMPLETE (CURVED TYPE) (WATER-COOL)
H1-E-11	Film Trap, Pin & Frame Plate (Water-Cool)
C1-E-12	Lateral Guide Roller Assembly
GU-172	Guide Film Trap Shoe (Curved) (2)
PT-33	Pivot Lateral Guide Roller Assembly (2)
SC-75	Screw Film Trap Shoe and Guide Fasten. (4)
SC-134	Screw Lateral Guide Roller Assembly Pivot Retain. (2)
SH-1257	Shoe Film Trap (Curved) (2)
SC-137	Screw Film Trap Mount (2)
C3-E-11	FILM TRAP, PIN AND FRAME PLATE (CURVED) (NON-WATER COOL)
PE-643	Plate Framing
PN-645	Pin Aperture Stop
SC-1266	Screw Frame Plate Fasten (2)
TP-110	Trap Film (Curved) (Non-Water Cool) (C3-E-11)
H1-E-11	FILM TRAP, PIN AND FRAME PLATE (CURVED TYPE) (WATER COOL)
PE-643	Plate Framing
PN-127	Pin Water Jacket Locate
SC-1266	Screw Framing Plate Fasten. (2)
TP-119	Trap Film (Water Cool) (H1-E-11)
C1-E-12	LATERAL GUIDE ROLLER ASSEMBLY
NU-12	Nut Lateral Guide Roller
RO-14	Roller Lateral Guide (Long) (Outer)
RO-16	Roller Lateral Guide (Short) (Inner)
SG-124	Spring Lateral Guide Roller Pressure
H1-E-40	FILM GATE ASSEMBLY COMPLETE (CURVED TYPE)
H1-E-41	Film Gate Plate & Studs (Curved)
NU-83	Nut Film Gate Pad Adjust Spring (2)
PA-642	Pad Film Gate Pressure (Curved)
PE-180	Plate Film Gate Pad Retain Spring (2)
SA-1256	Spacer Film Gate Pad Retain Spring (2)
SA-1272	Spacer Film Gate (2)
SC-709	Screw Film Gate Pad Retain Spring Fasten (4)
SC-1268	Screw Film Gate Pad Retain Spring Plate Fasten. (4)
SC-1276	Screw Film Gate Spacer Fasten. (4)
SG-685	Spring Film Gate Pad Retaining (2)
SG-1352	Spring Film Gate Pad Adjust. (2)
SU-1353	Stud Film Gate Pad Adjust. Spring (2)



## ART NO.

## DESCRIPTION

C4-E-70	WATER JACKET, TUBES AND CONNECTION BLOCK (CURVED)	
BK-188	Block	Water Tube Connection - (Bottom)
BU-178	Bushing	Water Tube
JC-12	Jacket	Water (C4-E-70)
PE-518	Plate	Aperture (.600 x .825)
PN-519	Pin	Aperture Stop
SC-1016	Screw	Aperture Retaining Spring Fast. (4)
SG-1013	Spring	Aperture Plate Retaining (2)
TU-68	Tube	Water (Short)
TU-69	Tube	Water (Long)
SC-81	Screw	Connection Block Fasten.
SC-137	Screw	Water Jacket Mounting

## APERTURE PLATES (Model H &amp; HH Mechanisms)

STANDARD (CURVED GATE)WATER-COOL (CURVED GATE)

<u>PART NO.</u>	<u>PROJECTION ASPECT RATIO</u>	<u>SIZE</u>	<u>PART NO.</u>
PE-652-E	1.375:1 Standard	.600 x .825	PE-518-E
PE-652-E-1		Blank	PE-518-E-1
PE-652-E-2		Pin Hole	PE-518-E-2
PE-652-E-3	2:1 (Wide-Screen)	.412 x .825	PE-518-E-3
PE-652-E-4	1.85:1 Standard	.445 x .825	PE-518-E-4
PE-652-E-5	1.75:1 Standard	.470 x .825	PE-518-E-5
PE-652-E-6	1.66:1 Standard	.495 x .825	PE-518-E-6
PE-652-E-7	1.375:1 Undersize	.581 x .703	PE-518-E-7
PE-652-E-8	1.85:1-1.75:1 Undersize	.420 x .800	PE-518-E-8
PE-652-E-9	1.66:1 Undersize	.470 x .800	PE-518-E-9
PE-652-E-12	Magnoptical C.S. 2.35:1	.715 x .825	PE-518-E-12
PE-652-E-13	Magnoptical C.S. 2.35:1 Under.	.675 x .800	PE-518-E-13
PE-652-E-14	Anamorphic 2:1	.715 x .715	PE-518-E-14
PE-652-E-15	Anamorphic 2:1 Undersize	.650 x .650	PE-518-E-15

C1-G-10	MAIN DRIVE SHAFT ASSEMBLY (SLEEVE TYPE) (SPECIAL)	
BG-6	Bearing	Main Drive Shaft Ball (2)
GR-8	Gear	Main Drive (Formica)
PY-6	Pulley	Main Drive Sound Pinion Retaining
SC-32	Screw	Main Drive Retaining Pulley Set (Pointed) (2)
SC-47	Screw	Main Drive Gear Fasten (2)
SC-147	Screw	Main Drive Retaining Pulley Set (Flat) (2)
SV-6	Sleeve	Main Drive Shaft
WA-4	Washer	Main Drive Gear Thrust (Fibre) (2)
WA-9	Washer	Main Drive Gear Thrust (Steel) (2)

ART NO.	DESCRIPTION	
C1-G-22	GOVERNOR WEIGHT ASSEMBLY	
HO-3	Holder	Governor Link (Lower)
HO-4	Holder	Governor Link (Upper)
L1-3	Link	Governor Weight (4)
SC-95	Screw	Upper Governor Link Holder Fastening
SC-135	Screw	Governor Weight Holder Link (Short) (4)
SC-136	Screw	Governor Weight Link (Long) (4)
SV-42	Sleeve	Governor Weight Stop
WT-6	Weight	Governor (2)
C1-G-23	VERTICAL SHAFT INTERMITTENT DRIVE BALL BEARING AND BKT, ASS'Y	
BG-6	Bearing	Intermittent Drive Ball
BR-3	Bracket	Intermittent Drive Ball Bearing
SC-127	Screw	Intermittent Drive Ball Bearing Retaining (3)
C1-G-31	VERTICAL SHAFT BALL BEARING & BRACKET ASS'Y. (UPPER & LOWER)	
BG-9	Bearing	Vertical Shaft Ball
BR-20	Bracket	Vertical Shaft Ball Bearing (Upper & Lower)
SC-127	Screw	Vertical Shaft Ball Bearing Retaining (3)
C2-G-90	VERTICAL SHAFT AND GOVERNOR ASSEMBLY COMPLETE (DOUBLE-SHUTTER)	
C2-G-100	Vertical Shaft and Governor Assembly (Regular)	
GR-71	Gear	Intermediate Shutter Drive (Formica)
SC-574	Screw	Intermediate Shutter Drive Gear Fast.
C1-G-92	INTERMITTENT DRIVE GEAR, BALL BEARING, BKT. & NUT ASSEMBLY	
C1-G-23 (267)	Vertical Shaft Intermittent Drive Ball Bearing and Bkt.	
C1-G-24	Intermittent Drive Gear Nut (Includes PG-13 & SC-63)	
GR-70	Gear	Vertical Shaft Intermittent Drive (Formica)
C2-G-100 (361)	VERTICAL SHAFT & GOVERNOR ASSEMBLY COMPLETE (SINGLE SHUTTER)	
C1-G-22	Governor Weight, Assembly	
C1-G-31	Vertical Shaft Ball Bearing and Bracket (Upper & Lower) (2)	
C1-G-44	Vertical Shaft Upper Thrust Collar (Includes PG-13 & SC-63)	
C2-G-91	Vertical Shaft and Key	
C2-G-92	Intermittent Drive Gear, Ball Bearing, Bkt. and Nut	
CL-28	Collar	Lower Ball Bearing Oil Protector
GR-4	Gear	Vertical Shaft Lower Driven (Steel)
GR-5	Gear	Vertical Shaft Sprocket Drive (Steel) (2)
GR-71	Gear	Shutter Drive (Formica)
RT-61	Retainer	Ball Bearing Thrust Washer (Upper)
SC-81	Screw	Vertical Shaft Steel Gears Fastening (3)
SC-574	Screw	Shutter Drive Formica Gear Fastening
WA-3	Washer	Vertical Shaft Thrust (Fibre) (2)
WA-10	Washer	Vertical Shaft Thrust (Steel)
WA-14	Washer	Vertical Shaft Thrust (Spring) (2)
WA-130	Washer	Ball Bearing Thrust (Neoprene) (Upper)
WA-131	Washer	Ball Bearing Thrust (Steel) (Upper)
SC-143	Screw	Vertical Shaft Assembly Mounting (4)



PART NO.

DESCRIPTION

C1-G-110	MAIN DRIVE ASSEMBLY (STANDARD)	
BG-6	Bearing	Main Drive Shaft Ball (2)
GR-8	Gear	Main Drive (Formica)
SC-743	Screw	Main Drive Gear Fastening (2)
ST-744	Shaft	Main Drive (Standard)
WA-127	Washer	Main Drive Gear Thrust (2)
RT-2	Retainer	Main Drive
SC-127	Screw	Main Drive Ball Bearing Retaining (3)
SC-143	Screw	Main Drive Retainer Holding
C2-T-12	SOUND GUIDE ROLLER ASSEMBLY (SPECIAL)	
RO-100	Roller	Pad
RT-8	Retainer	Ball Bearing
SC-127	Screw	Pad Roller Retain.
SU-53	Stud	Pad Roller
C1-T-21	LOWER PAD ROLLER ARM ASSEMBLY (SPECIAL)	
C1-C-13	Pad Roller Arm Stud, Knob and Bushing	
C1-C-21	Pad Roller Shaft and Knob	
AR-6	Arm	Lower Pad Roller (Special)
BL-18	Ball	Pad Roller Arm (2)
NU-8	Nut	Pad Roller Adjusting Screw Stop
RO-100	Roller	Pad
SC-87	Screw	Pad Roller Adjusting
SC-88	Screw	Pad Roller Shaft and Knob Fastening
SG-21	Spring	Pad Roller Arm (2)
C1-T-31	NON-OPERATING SIDE DOOR ASSEMBLY (SPECIAL)	
C1-A-15	Door Lock Spring and Button	
DO-5	Door	Non-Operating Side
KN-47	Knob	Door
L1-11	Link	Door Stop
SB-60	Stop	Door Closing (felt) (2)
SC-70	Screw	Door Hinge Fasten (6)
SC-123	Screw	Door Lock Spring and Button Fastening (2)
SC-226	Screw	Door Stop Link
SC-1058	Screw	Door Knob Fastening
C1-T-40	CONVERSION KIT (WESTERN ELECTRIC UNIVERSAL BASE REPRCDUCER)	
C2-T-12	Sound Guide Roller	
C1-T-41	Main Drive Sleeve and Coupling	
SC-119	Screw	Main Drive Gear Fasten. (Special) (2)
ST-820	Main Drive Shaft (Special)	
ST-821	Main Drive Shaft (Special)	
ST-828	Main Drive Shaft (Special)	

(Reference - Century Drawing E-1507)

## PART NO.

## DESCRIPTION

C2-T-154	WATER HOSE AND CONNECTORS (10 FEET OF HOSE)
C1-T-154	Water Hose Connector (4)
HE-63	Hose Water (10 Feet)
C3-T-154	WATER HOSE AND CONNECTORS (30 FEET OF HOSE)
C1-T-154	Water Hose Connector (6)
HE-63	Hose Water (30 Feet)
C1-T-160	LENS BUSHING AND CLAMP SCREWS (2 25/32 LENS)
BU-193	Bushing Lens (C1-T-160)
SC-574	Screw Lens Bushing Clamp (2)
C1-T-190	CONVERSION KIT (WESTERN ELECTRIC 208 REPRODUCER)
C2-T-12	Sound Guide Roller
C1-T-31	Non-Operating Side Door (Special)
CR-8	Cover Non-Operating Side (Lower) (Special)
GR-80	Gear Projector Drive (Formica) (Special)
SA-795	Spacer Projector Drive Gear
SC-796	Screw Projector Drive Gear Fasten. (6)
C1-T-200	CONVERSION KIT (WESTERN ELECTRIC 206 REPRODUCER)
C2-T-12	Sound Guide Roller
C1-T-31	Non-Operating Side Door (Special)
C1-T-111	Split Pulley and Fasten. Screws
CR-8	Cover Non-Operating Side (Lower) (Special)
GR-80	Gear Projector Drive (Formica) (Special)
SA-799	Spacer Projector Drive Gear
SC-796	Screw Projector Drive Gear Fasten. (6)
C1-T-210	CONVERSION KIT (WESTERN ELECTRIC 209/211A REPRODUCER)
C2-T-12	Sound Guide Roller
C1-T-21	Lower Pad Roller Arm Assembly (Special)
C1-T-22	Lower Sprocket Stripper (Special)
ST-309	Shaft Main Drive (Special)
C4-T-260	CONVERSION KIT (STANDARD TC WATER-COOL APERTURE)
H1-E-10	Film Trap Assembly (Curved)
C4-E-70	Water Jacket Assembly (Curved)
H2-D-70.	Light Shield Assembly (Water-Cool)
SC-81	Screw Water Tube Klock Fasten.
SC-137	Screw Film Trap and Water Cell Mount (3)



PART NO.	DESCRIPTION
C3-T-360	WATER RECIRCULATOR ASSEMBLY
C1-T-361	Motor Cover
C3-T-362	Water Drum Cover and Pump
DR-38	Drum Water (10 Gallon)
SC-812	Screw Motor Cover Fasten (2)
C1-T-154	Water Hose Connector Assembly
C1-T-155	Copper Tube Connector Assembly
C1-T-361	WATER RECIRCULATOR MOTOR COVER ASSEMBLY
CN-91	Connector Squeeze
CR-189	Cover Motor
LP-34	Lamp Pilot
LT-33	Light Socket (Jewel) <i>G/L</i>
SW-596	Switch Pilot Light & Motor
WA-138	Washer Pilot Light Socket Lock
C3-T-362	WATER RECIRCULATOR DRUM COVER & PUMP ASSEMBLY
C1-T-223	Compression Union Assembly
C3-T-363	Water Recirculator Drum Cover and Bracket
CN-132-T	Connector Compression (Female) (2)
IM-15	Impeller Water Pump
MO-26	Motor Water Recirculator Pump
NU-53	Nut Gland (2)
NU-54	Nut Gland Fasten (2)
NU-69	Nut Motor Fasten (2)
PG-206	Plug Button
PM-572	Pump Water Recirculator
SC-1138	Screw Impeller Fasten.
SV-779	Sleeve Compression (2)
TU-78	Tube Inlet Water
TU-79	Tube Water
WA-139	Washer Gland Nut (4)
C2-T-401	FRONT SUPPORT ASSEMBLY FOR CINEMASCOPE LENS (SMALL)
C2-T-402	Lens Support and Rod (Small)
BK-294	Block Lens Support and Rod Holding
NU-65	Nut Sliding Rod Mount
RD-107	Rod Sliding (Long)
SC-1019	Screw Holding Block (2)
WA-165	Washer Sliding Rod Mount Screw
C3-T-401	FRONT SUPPORT FOR CINEMASCOPE LENS (LARGE)
C3-T-402	Lens Support and Rod (Large)
BK-294	Block Lens Support and Rod Holding
NU-65	Nut Sliding Rod Mount
RD-107	Rod Sliding (Long)
SC-1019	Screw Holding Block (2)
WA-165	Washer Sliding Rod Mount Screw

PART NO.	DESCRIPTION	
Cl-T-490	LENS LOCATE RING AND STUD ASSEMBLY	
RI-69	Ring	Lens Locate
SC-574	Screw	Lens Locate Ring Clamp
SU-995	Stud	Lens Locate Ring Guide
Cl-T-500	DEMAGNETIZING KIT COMPLETE	
Cl-T-501	Demagnetizing Gun	
Cl-T-502	Magnet-O-Meter and Holder	
CQ-222	Demagnetizer Coil (Flat)	
CQ-223	Demagnetizer Coil (Round)	
Cl-T-520	CONVERSION KIT (BALLANTYNE #9 REPRODUCER)	
SA-895	Spacer	Projector Drive Gear
SC-81	Screw	Projector Drive Gear Fasten (5)
SC-896	Screw	Projector Drive Gear Spacer Fasten. (3)
WA-64	Washer	Projector Drive Gear Fasten Screw Lock (5)
WA-78	Washer	Projector Drive Gear Fasten Screw (5)
Cl-T-560	CONVERSION KIT (WENZEL WSH-3 REPRODUCER)	
Cl-T-21	Lower Sprocket	Arm Assembly (Special)
SK-745	Sprocket	Projector Drive Chain
SC-81	Screw	Projector Drive Chain Sprocket Mount (3)
ST-829	Shaft	Main Drive (Special)
WA-64	Washer	Projector Drive Chain Sprocket Mount Screw (3)
<u>LENS ADAPTERS AND ACCESSORIES</u>		
AD-13	Adapter	Ring (To Mount Extension Tube on Lens)
AD-15	Adapter	Split-Ring Reducer (Series 1 Lens)
BU-54	Bushing	Lens 1 3/8" Long 2.120" I. D.
BU-55	Bushing	Lens 1 3/8" Long 2.130" I. D.
BU-56	Bushing	Lens 5/8" Long 2.120" I. D.
BU-115	Bushing	Lens (For B & L Series 1 Lens)
BU-138	Bushing	Lens 9/16" Long 2.120" I. D.
TU-9	Tube	Lens Extension 1 1/4" Long
TU-10	Tube	Lens Extension 2" Long
TU-11	Tube	Lens Extension 3" Long
TU-12	Tube	Lens Extension 5 1/4" Long