

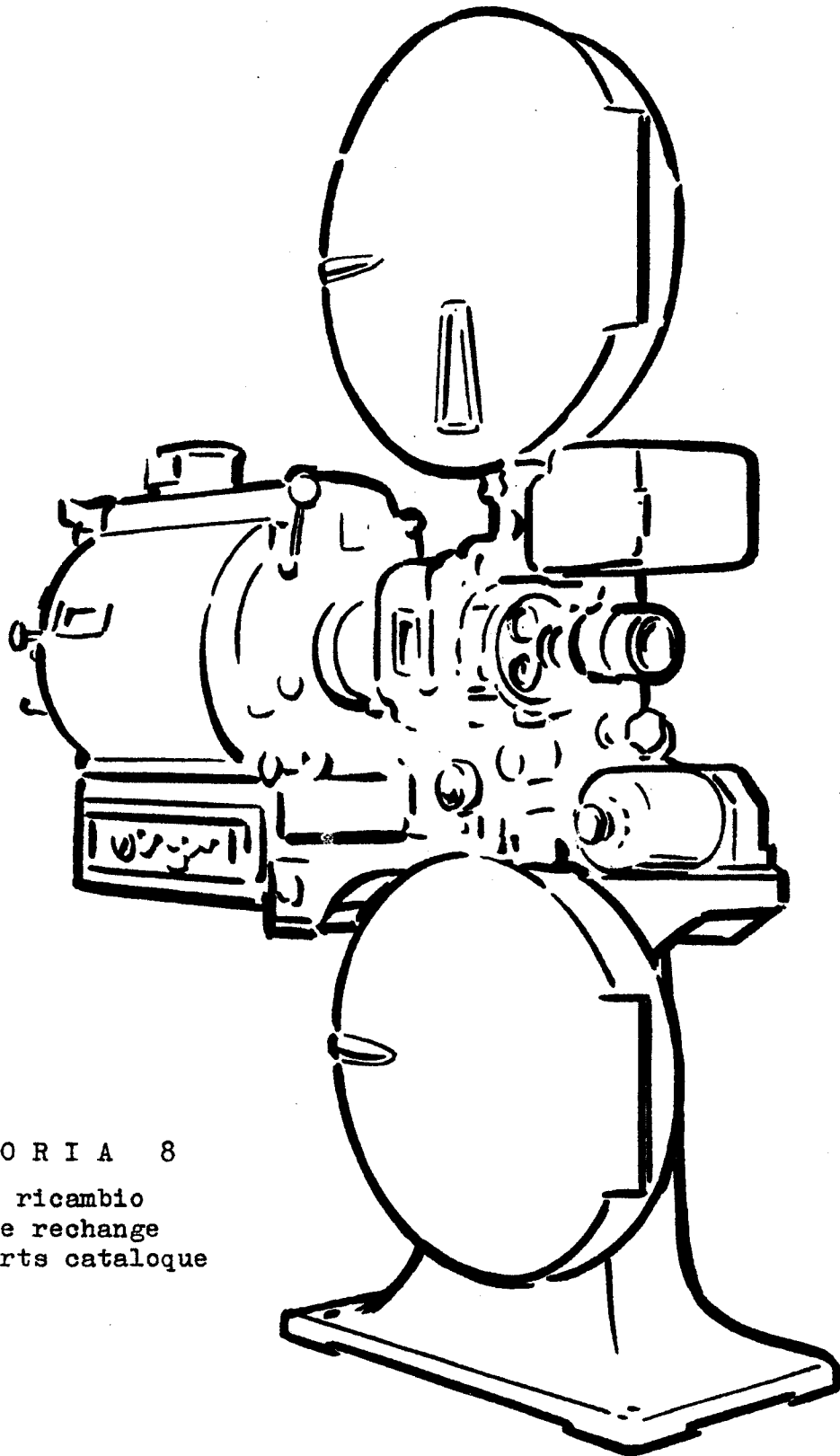
# Film-Tech

The information contained in this Adobe Acrobat pdf file is provided at your own risk and good judgment.

These manuals are designed to facilitate the exchange of information related to cinema projection and film handling, with no warranties nor obligations from the authors, for qualified field service engineers.

If you are not a qualified technician, please make no adjustments to anything you may read about in these Adobe manual downloads.

[www.film-tech.com](http://www.film-tech.com)



Listino

V I C T O R I A 8

Pezzi di ricambio

Pièces de rechange

Spare parts catalogue

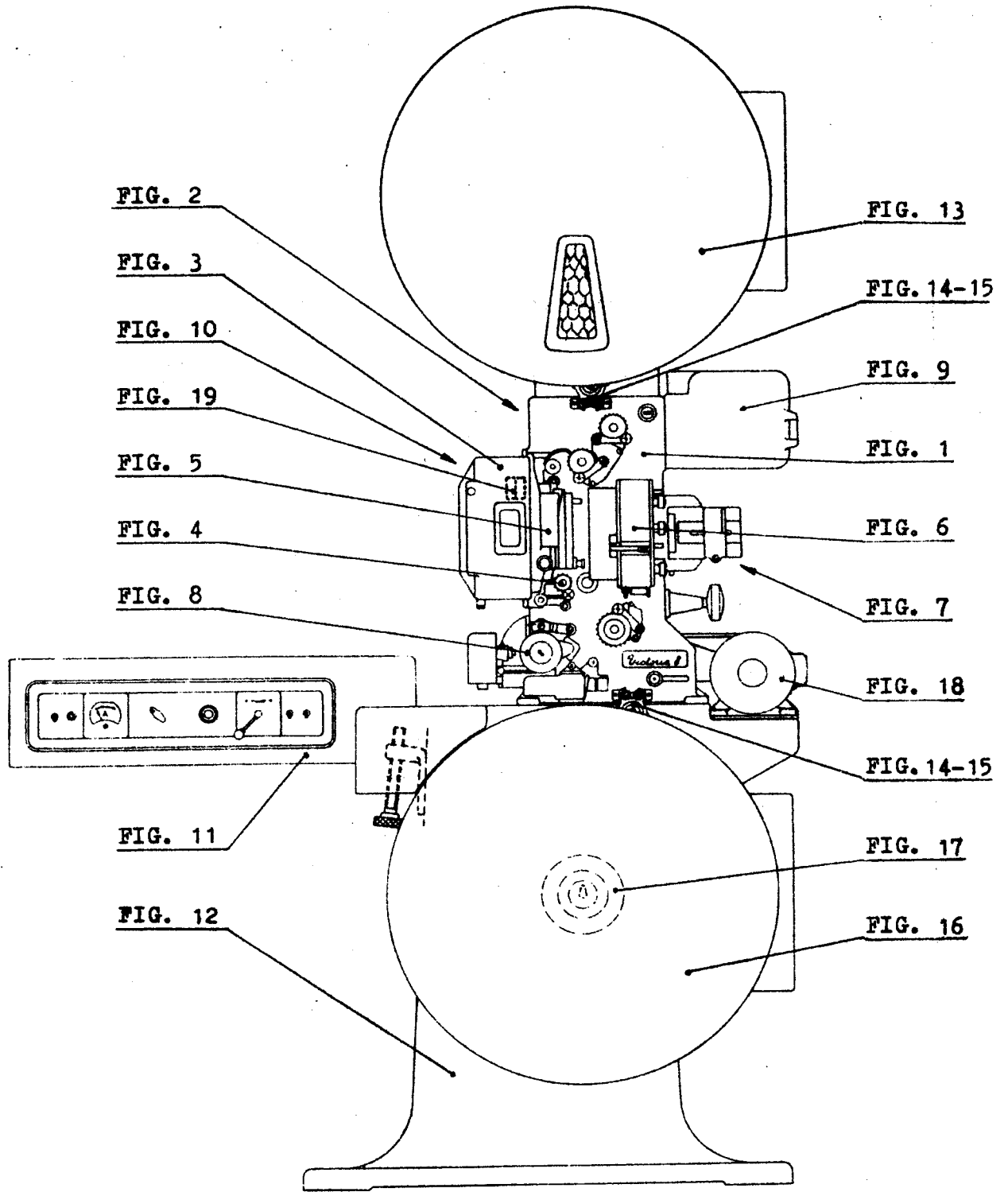
V I C T O R I A 8

- FIG. 1 - PROJECTOR (operating side)
- FIG. 2 - PROJECTOR MECHANISM
- FIG. 3 - DRUM SHUTTER AND SHUTTER HOUSING
- FIG. 4 - INTERMITTENT UNIT
- FIG. 5 - GATE BRACKET AND GATE FRAME
- FIG. 6 - LENS TURRET (3 lenses)
- FIG. 7 - 5" SINGLE LENS-HOLDER
- FIG. 8 - OPTICAL SOUNDHEAD
- FIG. 9 - MAGNETIC SOUNDHEAD
- FIG. 10 - AIR COOLING UNIT
- FIG. 11 - ARC BEAM
- FIG. 12 - STAND COLUMN
- FIG. 13 - TOP SPOOL-BOX
- FIG. 14 - TOP AND BOTTOM FIRETRAPS (up to serial N° 84500)
- FIG. 15 - TOP AND BOTTOM FIRETRAPS (from serial N° 84501)
- FIG. 16 - LOWER SPOOL-BOX
- FIG. 17 - TAKE-UP
- FIG. 18 - MOTOR
- FIG. 19 - PICTURE CHANGE OVER MECHANISM

FOR VICTORIA 8 - 70/35: see page 35 and following

The mark ° indicates 35mm parts only.  
The mark °° indicates 35/70mm parts only.  
The letter Z indicates a gear, figures show number of teeth.

PLEASE ALWAYS, WHEN ORDERING SPARES, QUOTE THE SERIAL NUMBER  
OF THE PROJECTOR



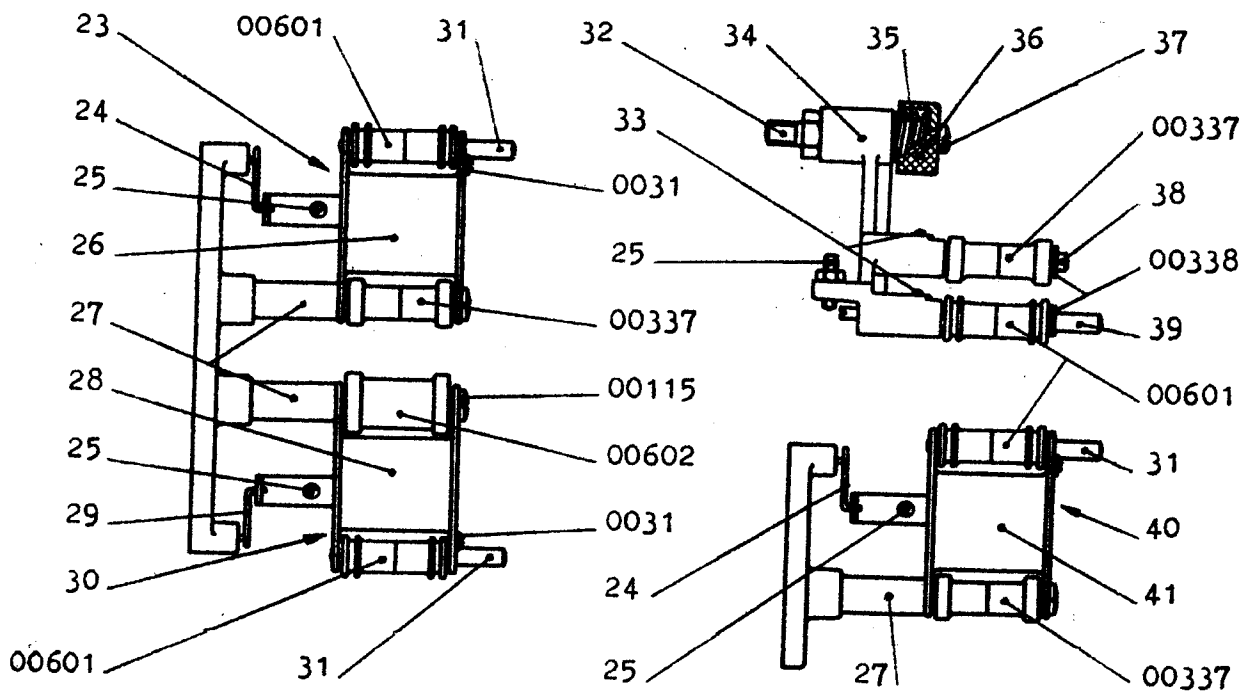
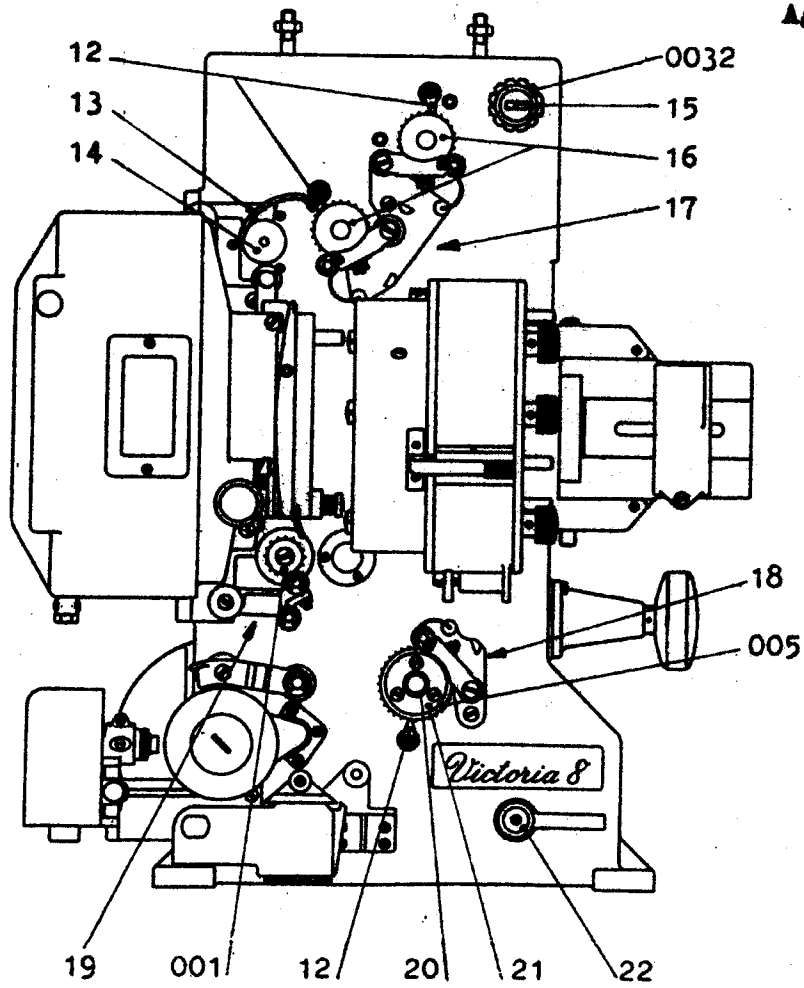


FIG. 1

FIG. 1 - PROJECTOR (Operating side)

- °001C - 16 teeth intermittent sprocket
- °005C - 32 teeth bottom sprocket
- °0031 - Roller spindle retaining washer
- 0032 - Upper oil sight window with bezel
- 00115 - Roller arm locking screw
- °00337 - Plain roller (15mm O.D.)
- °00338 - Circlip retaining rollers (6mm I.D.)
- °00601 - Grooved roller (15mm O.D.)
- °00602 - Plain roller (20mm O.D.)
- 12 - Stripper and post (top, intermediate and bottom sprockets)
- 13 - Mascarini safety lever
- 14 - Disc with shaft (Top loop trip)
- 15 - Oil filter magnet
- °16 - 24 teeth intermediate and Top sprockets (144C)
- °17 - Top and intermediate sprocket roller arm assembly complete with mounting plate
- °18 - Bottom sprocket roller arm assembly complete with mounting plate
- °19 - Intermittent sprocket roller arm assembly complete
- °20 - Boss for bottom sprocket with washer and screws
- °21 - Washer for bottom sprocket
- 22 - Lower oil sight window with bezel
- °23 - Top sprocket roller arm assembly
- 24 - Pressure spring for top and bottom sprocket roller arm assemblies
- °25 - Sprocket roller arm setting screw
- °26 - Top sprocket roller arm only
- °27 - Roller arm support spindle
- °28 - Intermediate sprocket roller arm only
- 29 - Pressure spring for intermediate sprocket roller arm
- °30 - Intermediate sprocket roller arm assembly
- °31 - Grooved roller spindle
- 32 - Intermittent sprocket roller arm assembly
- °33 - Roller spindle retaining screw
- °34 - Intermittent sprocket roller arm only
- 35 - Intermittent sprocket roller arm spring
- 36 - Spring setting bush for intermittent sprocket roller assembly
- 37 - Screw for bush
- °38 - Plain roller spindle
- °39 - Grooved roller spindle
- °40 - Bottom sprocket roller arm assembly
- °41 - Bottom sprocket roller arm only

FIG. 2 - PROJECTOR MECHANISM  
(from serial No.83879)

- 0092 - P.E.cell connector
- 00250 - Oil filler plug
- 00296 - Masking (framing) knob
- 00865 - Oil pump without pipes and rod
- 51 - Oil filter body
- 52 - Oil filter
- 53 - Intermediate sprocket gear, Z.78
- 54 - Intermediate sprocket shaft
- 56 - Spindle with screw and washer for part no.8V-126 gear
- 57 - Spindle with screw and washer for bevel gear
- 58 - Driving gear Z.90
- 59 - Spindle with screw and washer for part no.58 gear
- 60 - Intermittent unit driving gear, Z.54
- 61 - Spindle with screw and washer for part no.60 gear
- 62 - Framing shaft retaining screw
- 63 - Framing shaft gasket
- 64 - Top sprocket driving gear, Z.78
- 65 - Top sprocket shaft
- 66 - Mechanism cover gasket
- 67 - Mechanism cover
- 68 - Governor assembly
- 69 - Governor drive pinion, Z.17
- 70 - Governor spring
- 71 - Governor ball with arm
- 72 - Masking (framing) rack securing screw
- 73 - Masking (framing) rack
- 74 - Masking (framing) shaft
- 75 - Bottom sprocket driving gear, Z.104
- 76 - Ball race
- 77 - Oil seal
- 78 - Take up drive toothed belt
- 79 - Take up driving pinion, Z.17
- 80 - Oil draining tube with gasket
- 81 - Oil drain plug with gasket
- 84 - Torque assembly disc
- 85 - Torque assembly spring
- 86 - Mechanism driving gear shaft
- 87 - Torque assembly gear Z.39
- 92 - Bottom sprocket shaft
- 8V-126 - Pump gear - 89 teeth
- 8V-290 - Oil pump assembly
- 8V-292 - Oil suction pipe
- 8V-293 - Plate complete with spindle
- 8V-295 - Pump rod
- 8V-296 - Pump rod fastener
- 8V-297 - Oil delivery pipe
- 8V-7417 - Gear washer

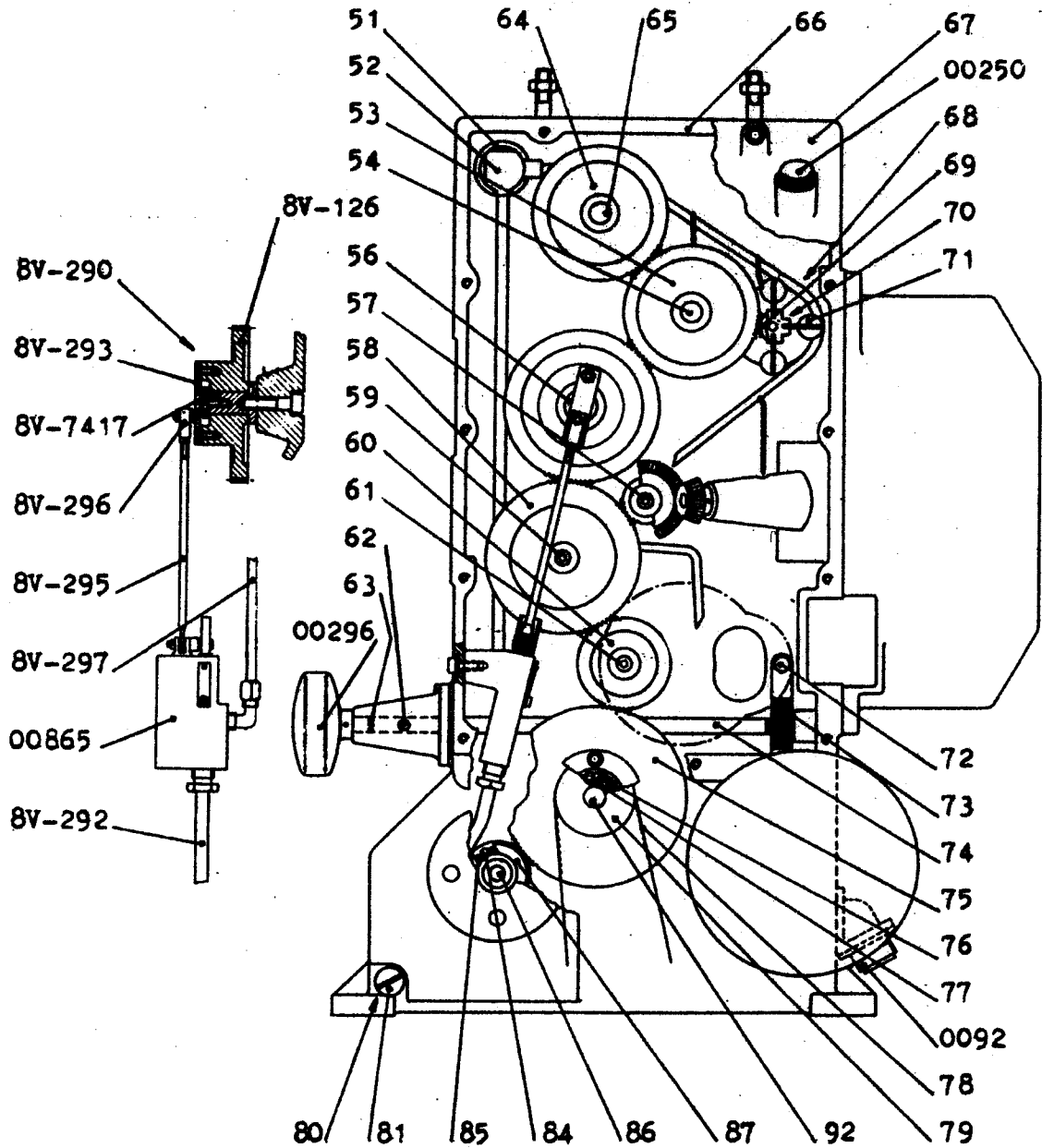


FIG. 2



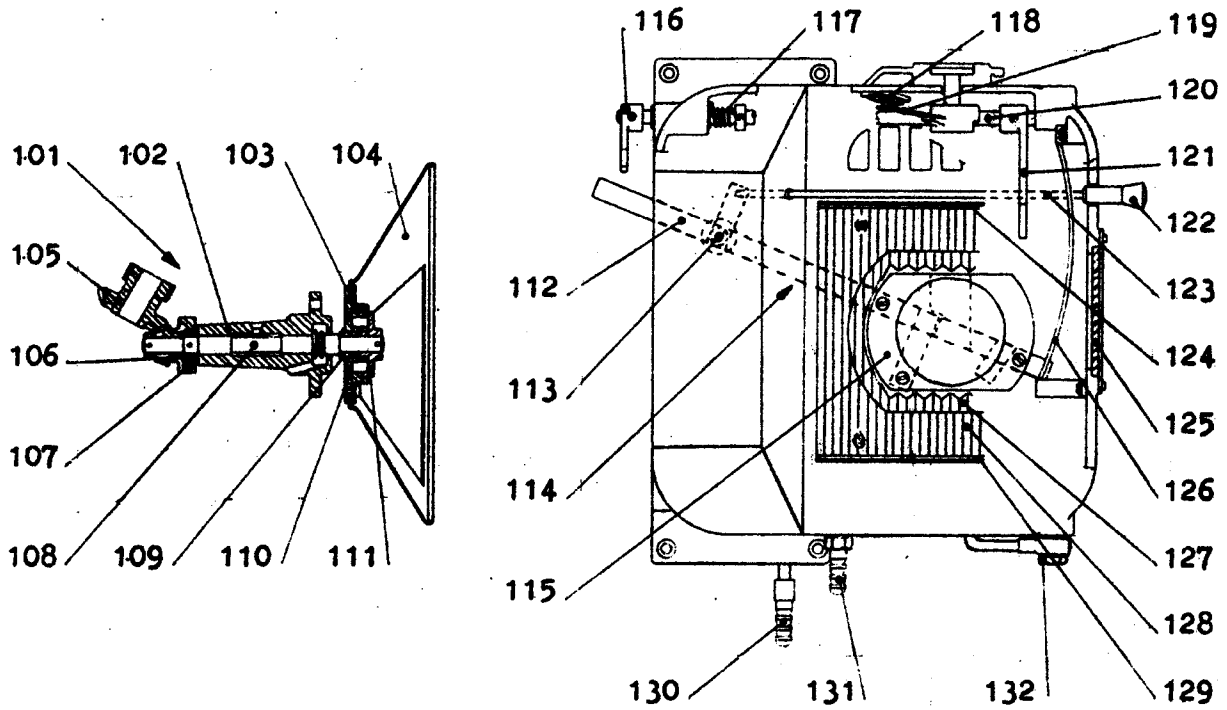


FIG. 3

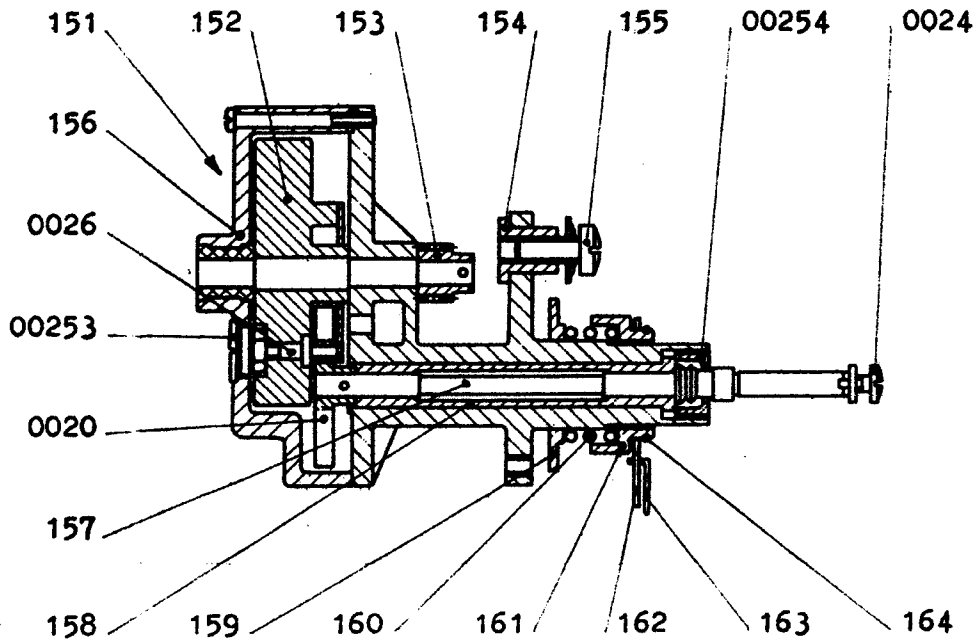


FIG. 4

FIG. 3 - DRUM SHUTTER AND SHUTTER HOUSING

- 101 - Shutter assembly complete
- 102 - Shutter bearing only
- 103 - Torque assembly spring
- 104 - Conical shutter only
- 105 - Matched bevel gears Z.38 and Z.26, pinion Z.19 and torque assembly
- 106 - Dog for shutter pinion torque assembly
- 107 - Spring for shutter pinion torque assembly
- 108 - Shutter shaft
- 109 - Circlip 16mm O.D.
- 110 - Shutter torque assembly
- 111 - Dog for shutter torque assembly
- 112 - Safety shutter lever
- 113 - Screw for safety shutter lever
- 114 - Safety shutter disc with lever
- 115 - Safety shutter disc only
- 116 - Change over lever
- 117 - Unlatching lever spring
- 118 - Mascarini contact, fixed
- 119 - Mascarini contact, moving
- 120 - Unlatching lever spindle
- 121 - Safety shutter unlatching lever
- 122 - Safety shutter knob
- 123 - Safety shutter opening shaft
- 124 - Top light shield
- 125 - Shutter case inspection window, glass only
- 126 - Safety shutter lever guide complete
- 127 - Corrugated heat shield, inside
- 128 - Corrugated heat shield, outside
- 129 - Bottom light shield
- 130 - Gate cooling water inlet pipe
- 131 - Gate cooling water outlet pipe
- 132 - Water pipe union.

FIG. 4 - INTERMITTENT UNIT

- 0020 - Maltese cross with cam pin and roller
- 0024 - Screw and washer securing intermittent sprocket
- 0026 - Cam pin and roller
- 00253 - Plug for roller setting
- 00254 - Oil seal
- 151 - Intermittent unit complete less sprocket
- 152 - Flywheel with cam, shaft and cam pinion
- 153 - Cam pinion, Z.13
- 154 - Bush for intermittent unit securing screw
- 155 - Intermittent unit movement securing screw with washer
- 156 - Intermittent unit cover
- 157 - Intermittent sprocket shaft
- 158 - Eccentric sleeve for intermittent shaft
- 159 - Clutch disc
- 160 - Clutch disc spring
- 161 - Bush for adjusting clutch disc spring
- 162 - Intermittent sprocket roller arm stop collar
- 163 - Collar spring
- 164 - Circlip for collar

FIG. 5 - GATE BRACKET AND GATE FRAME  
(from serial No. 83858 )

- °007 - Spring guide roller assembly
- 00279 - Adjusting screw for spring guide roller
- 00816 - Three-aspect ratio aperture plate (aspect ratios to be advised)
- °183 - Pressure pad for top plates
- 184 - Framing lamp, 12 Volts - 5 Watts
- °185 - Bracket for No. 007 roller complete with screw
- 186 - Spring for gate plate locking screw
- 187 - Gate plate locking screw
- °188 - Upper pressure plate retaining screw
- 189 - Spring washer for no. 188
- 191 - Spring for aperture plate latch
- °192 - Pressure pad control spring
- 193 - Air duct
- °194 - Corrugated shield
- 196 - Water pipe union
- 197 - Gate latch arm
- 198 - Gate latch lever
- °199 - Gate plate less roller 007
- °199bis - Gate plate with velvet less roller 007
- °200 - 35mm gate frame assembly
- °201 - 35mm gate frame only
- °202 - 35mm pair of pressure plates (4 pieces)
- 203 - Gate frame support spring retaining knob
- 204 - Gate frame support spring
- 205 - Gate frame support
- 206 - Gate frame opening knob spring
- °207 - Pressure pad control knob
- °208 - Pressure pad control spring
- °209 - Pressure pad for lower plates
- °210 - Spring for pressure pads
- 211 - Gate frame opening knob with retaining screw
- 212 - Gate frame closing lever spring
- 213 - Gate frame closing lever
- °214 - Gate frame cover
- °215 - Gate bracket assembly
- 215b - Gate bracket only
- 216 - Framing lamp holder assembly
- 216b - Insulating bush
- 217 - Latch for aperture plate
- °217b - Aperture plate removable guide
- 218 - Lower gate support spindle
- 218b - Upper gate support spindle
- 219 - Cooling circuit for 8V
- 220 - Cooling circuit for 8R

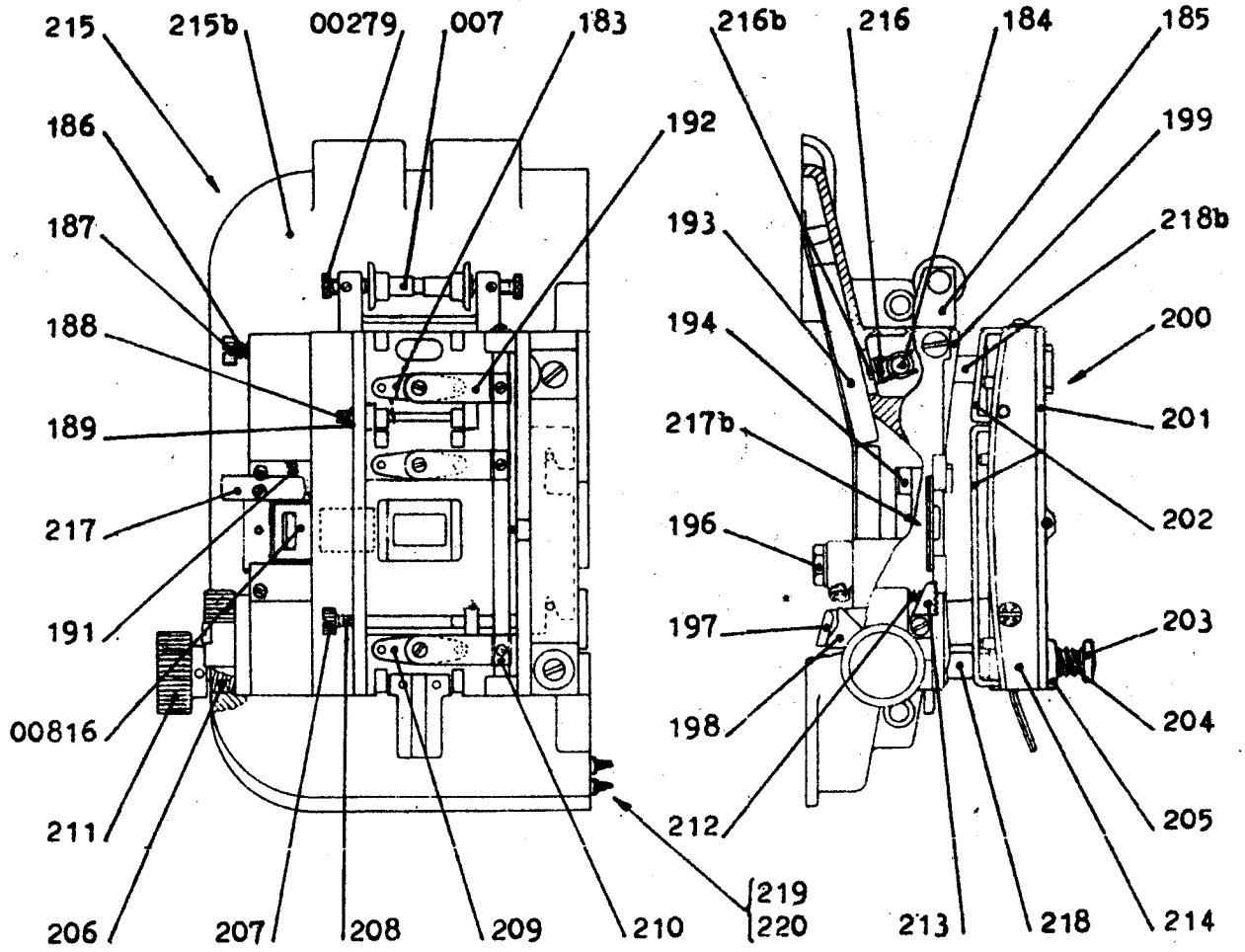


FIG. 5

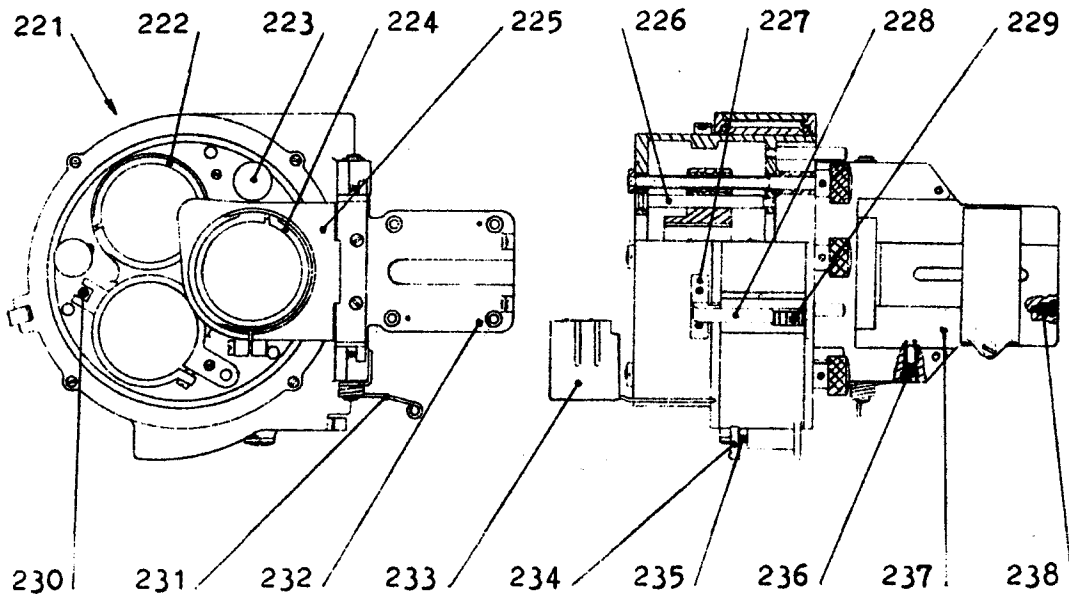


FIG. 6

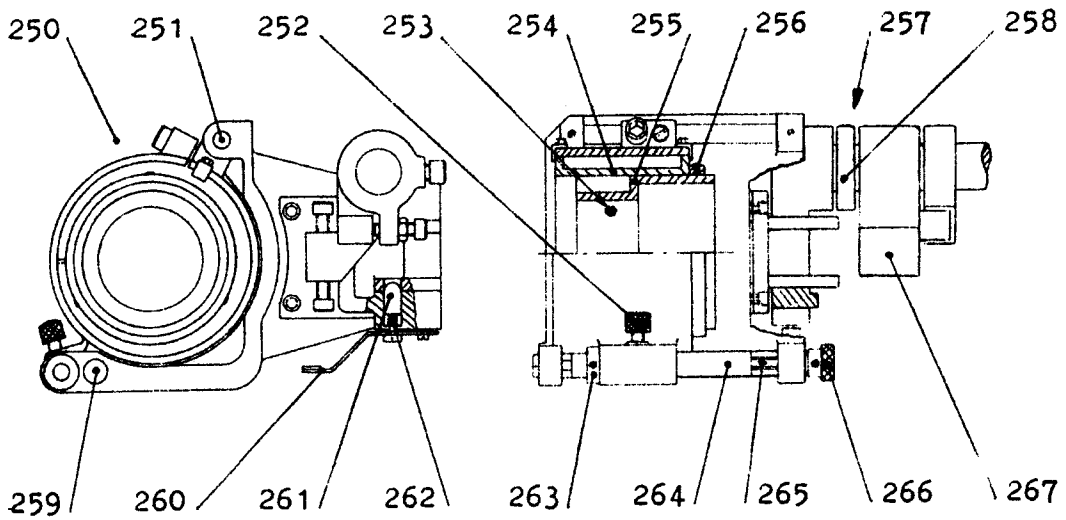


FIG. 7

FIG. 6 - LENS TURRET

- 221 - Three lens turret assembly complete
- 222 - Holding lens sleeve with focusing screw (62,5 mm)
- 222bis - Holding lens sleeve with focusing screw (70,6 mm)
- 223 - Focusing knob
- 224 - Eccentric sleeve dia. 70,6/62,5
- 224bis - Sleeve dia. 70,6/62,5
- 225 - Anamorphic lens holder - ring only
- 226 - Eccentric guide for holding lens sleeve
- 227 - Stop plate
- 228 - Stop lever
- 229 - Stop lever spring
- 230 - Stop for eccentric mount
- 231 - Spring for pivoting turret bracket
- 232 - Turret assembly support bracket
- 233 - Light shield
- 234 - Lever locking turret assembly
- 235 - Lever spring
- 236 - Spring plunger
- 237 - Bracket for anamorphic lens holder
- 238 - Spring plunger for no. 237

FIG. 7 - 5" SINGLE LENS-HOLDER

- 250 - 5" single lens holder assembly complete
- 251 - Lens sleeve guide shaft
- 252 - Knurled knob for locking lens sleeve
- 253 - Lens fixing screw
- 254 - 5" to 4" eccentric adaptor
- 255 - 4" to 70,6 adaptor
- 255/1 - 4" to 62,5 adaptor
- 255/2 - 4" to 52,5 adaptor
- 256 - Adaptor stop ring with screws
- 257 - Anamorphic lens-holder assembly
- 258 - Anamorphic lens stop ring
- 259 - Lens sleeve guide
- 260 - Spring plunger lever
- 261 - Plunger
- 262 - Plunger spring
- 263 - Lens sleeve stop ring
- 264 - Focusing screw bush
- 265 - Focusing screw
- 266 - Focusing knob
- 267 - Anamorphic lens holder only (anamorphic lens type to be specified)

FIG. 8 - OPTICAL SOUNDHEAD

- 008 - Filter roller 15mm O.D.
- 0035 - Reproducer drum with shaft and cover screw
- 0040 - Exciter lamp assembly complete
- 0040/1 - Exciter lamp housing complete
- 0040/2 - Exciter lamp housing cover
- 0040/3 - Exciter lamp holder and support bracket assembly
- 0040/4 - Exciter lamp insulating bushes and washers
- 0040/6 - Exciter lamp bottom contact spring, complete
- 0040/9 - Insulating bushes for part No. 0040/6
- 0040/10 - Exciter lamp locating spring with stud
- 0040/13 - Spring washer
- 00261 - P.E. cell housing
- 00261bis - Photojunction housing
- 00338 - Circlip securing rollers (6mm I.D.)
- 00339 - Circlip securing rollers (8mm I.D.)
- 0015 - Flanged roller (22mm O.D.)
- 00606 - Plain roller (19mm O.D.)
- 281 - Complete optical soundhead
- 282 - Lay on pressure roller arm and bracket assembly
- 283 - Lay on pressure roller arm
- 284 - Lay on pressure roller and arm complete
- 285 - Lay on pressure roller spindle
- 286 - Lay on pressure roller assembly pivot spindle
- 287 - Lay on pressure roller spring bush
- 288 - Lay on pressure roller spring
- 289 - Lay on pressure roller arm bracket
- 290 - Photocell bracket
- 291 - Flanged roller spindle
- 292 - Earth contact
- 293 - Flywheel housing cover with earth contact
- 294 - Spring washer
- 295 - Flywheel magnet
- 296 - Dash pot assembly complete
- 297 - Dash pot body
- 298 - Oil tank
- 299 - Dash pot roller spindle
- 300 - Flywheel housing
- 301 - Ball race
- 302 - Cover screw (for P.E. cell)
- 0080 - Exciter lamp
- 0082 - Objective lens

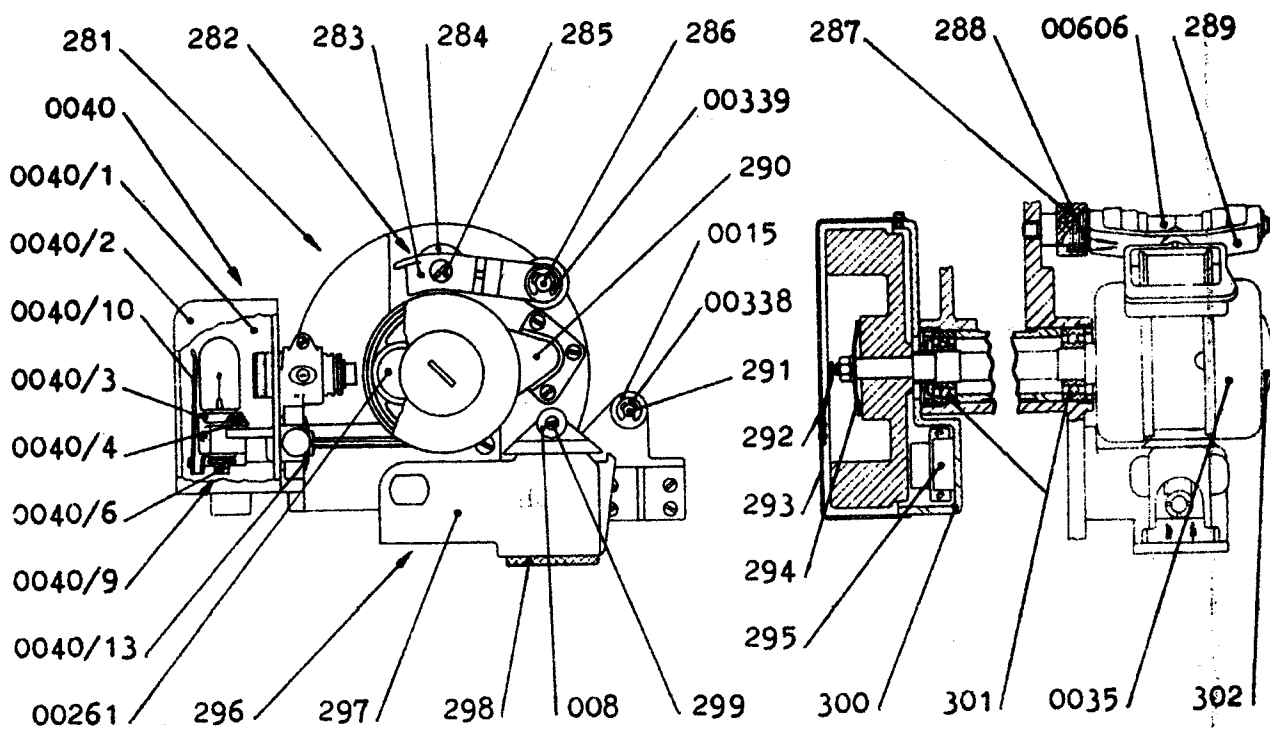


FIG. 8



dal N. 1201

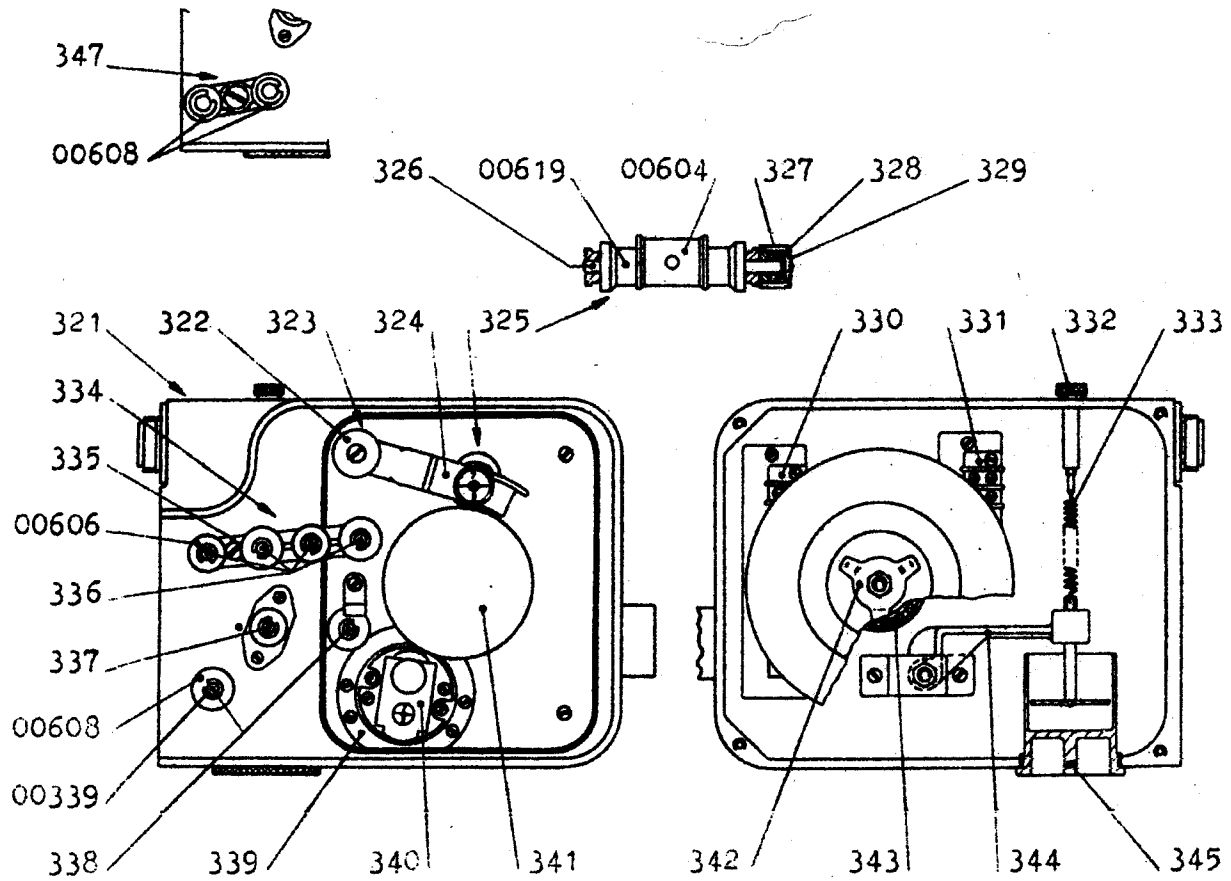


FIG. 9

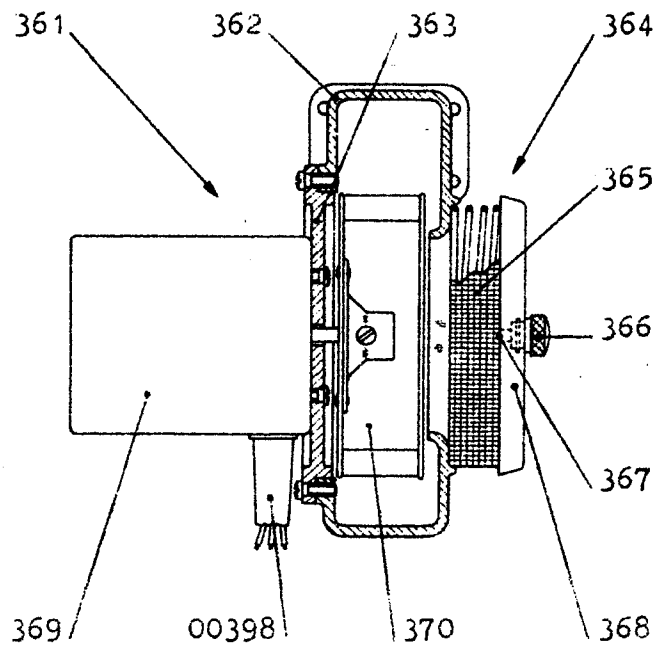


FIG. 10

FIG. 9 - MAGNETIC SOUNDHEAD

- 00339 - Circlip securing roller (8mm I.D.)
- 00604 - Lay on pressure roller for 35 mm
- 00606 - Plain roller (19mm O.D.)
- 00608 - Flanged roller (22mm O.D.)
- 00619 - Lay on pressure roller for 70 mm
- ° 321 - Complete magnetic soundhead for 70/35
- 322 - Lay on pressure roller spring housing
- 323 - Lay on pressure roller spring
- 324 - Lay on pressure roller arm
- 325 - Lay on pressure roller arm and bracket assembly
- 326 - Eccentric spindle
- 327 - Lay on pressure roller arm spring
- 328 - Lay on pressure roller arm knob
- 329 - Lay on pressure roller arm knob cover indicator
- 330 - Terminal board for 35mm sound track
- 331 - Terminal board for 70mm sound track
- 332 - Filter roller tension screw
- 333 - Filter roller spring
- 334 - Roller arm assembly complete
- 335 - Roller arm only
- 336 - Roller spindle o.d. 8mm
- 337 - Filter roller spindle
- 338 - Spindle for flanged rollers o.d. 8mm
- ° 339 - Base for 35mm cluster
- ° 339bis - Base for 70mm cluster
- ° 340 - 35mm magnetic cluster
- ° 340bis - 70mm magnetic cluster
- 341 - drum with shaft
- 342 - spring washer for flywheel
- 343 - Ball race
- 344 - Filter roller lever with ball race
- 345 - Oil container
- ° 346 - Complete magnetic soundhead for 35
- 347 - Sound synch. roller arm assembly (from No. 1201)

FIG. 10 - AIR COOLING UNIT

- 00398 - Rubber sleeve
- 361 - Complete fan assembly (mains voltage and frequency to be specified)
- 362 - Fan housing
- 363 - Motor flange
- 364 - Air filter complete with cover and stud
- 365 - Air filter (spring and fabric)
- 366 - Knob securing filter cover
- 367 - Filter stud
- 368 - Filter cover
- 369 - Fan motor (mains voltage and frequency to be specified)
- 370 - Fan

FIG. 11 - ARC BEAM

- 381 - Beam complete with control panel and Mascarini safety device
- 382 - Control panel only
- 383 - Rectifier pilot lamp
- 384 - Main motor starter with resistors (value in ohms to be specified)
- 385 - Motor starter resistor (value in ohms to be specified)
- 386 - Bolts securing lamphouse
- 387 - Rectifier control switch
- 388 - Exciter lamp ammeter
- 389 - Mascarini master switch
- 390 - Exciter lamp rheostat with knob
- 391 - Handle for main motor switch
- 392 - Exciter lamp switch
- 393 - Framing lamp switch
- 394 - Terminal board cover
- 403 - Start-Stop rectifier push button
- 404 - Change-over push button
- 405 - Turret push button

to serial number 8399

- 395 - Terminal board complete
- 396 - Arc Fuse (120 amp for Z/420 Arc - 150 amp for SZ/450 Arc)
- 397 - Porcelain 5 amp fuse
- 398 - Glass 1 amp fuse

from serial number 8400

- 399 - Terminal board complete
- 400 - Glass 5 amp fuse (for main motor and exciter lamp)
- 401 - Glass 1 amp fuse (for framing lamp)

FIG. 12 - STAND COLUMN

- 412 - Mechanism beam
- 413 - Mechanism beam securing screws
- 414 - Motor terminal board
- 415 - Magnetic preamplifier terminal board
- 416 - D.C. power supply for exciter lamp (voltage to be advised)
- 417 - Base levelling screw with nut
- 418 - Belt cover securing screw
- 419 - Belt cover
- 420 - Tilting device complete
- 421 - Tilting screw
- 422 - Tilting screw bracket
- 423 - Terminal board
- 424 - Rear cover complete
- 425 - Square head screw for setting the beam

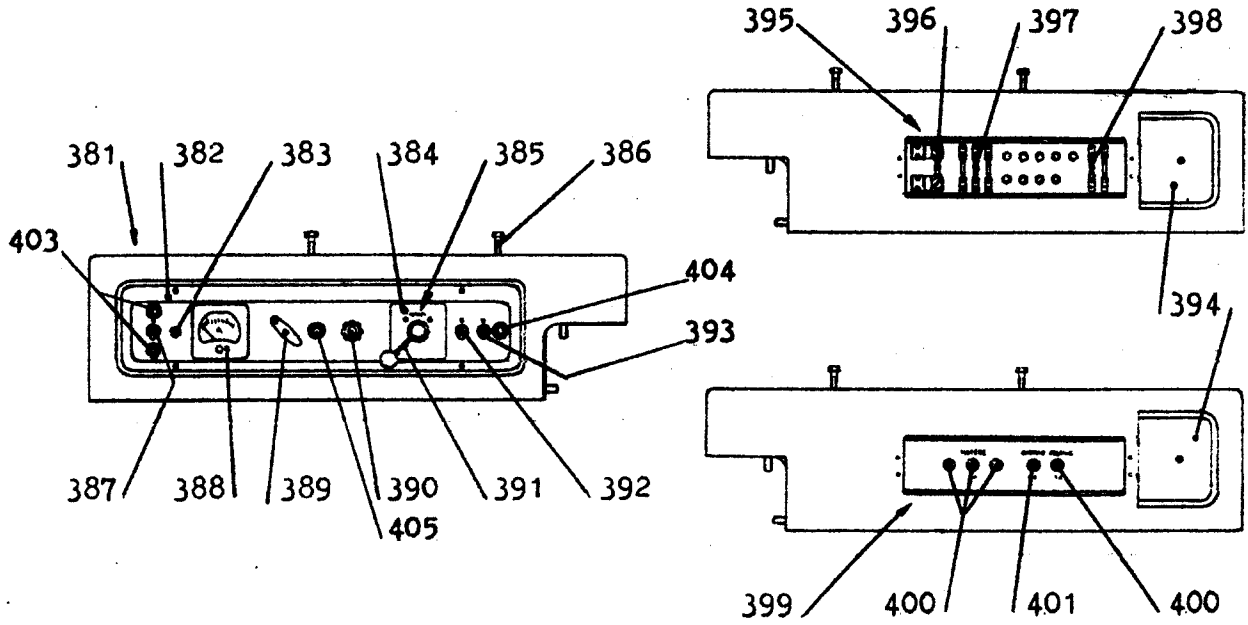


FIG. 11

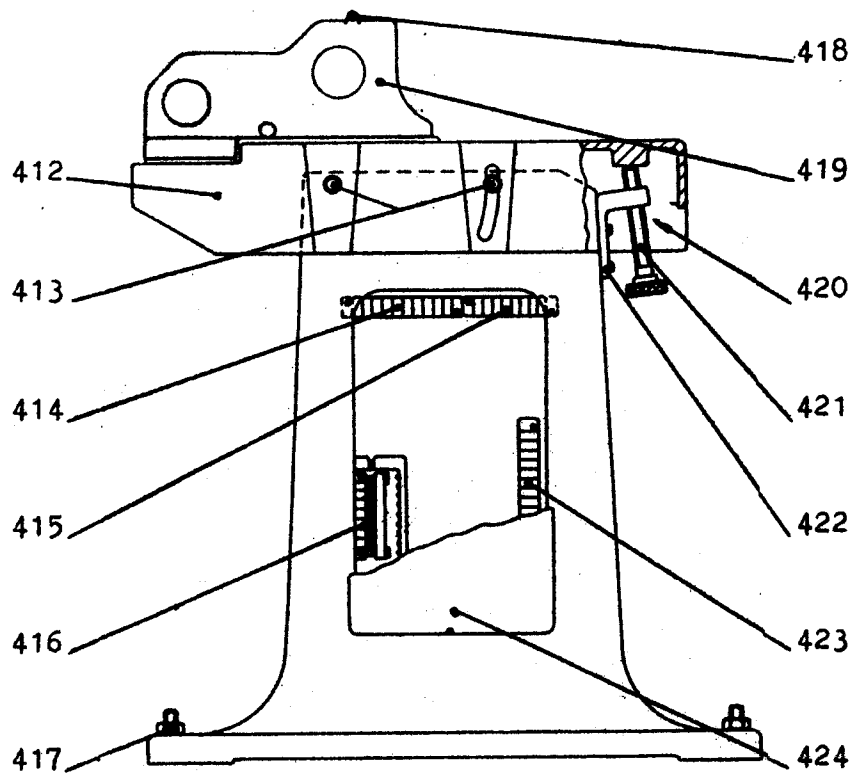


FIG. 12

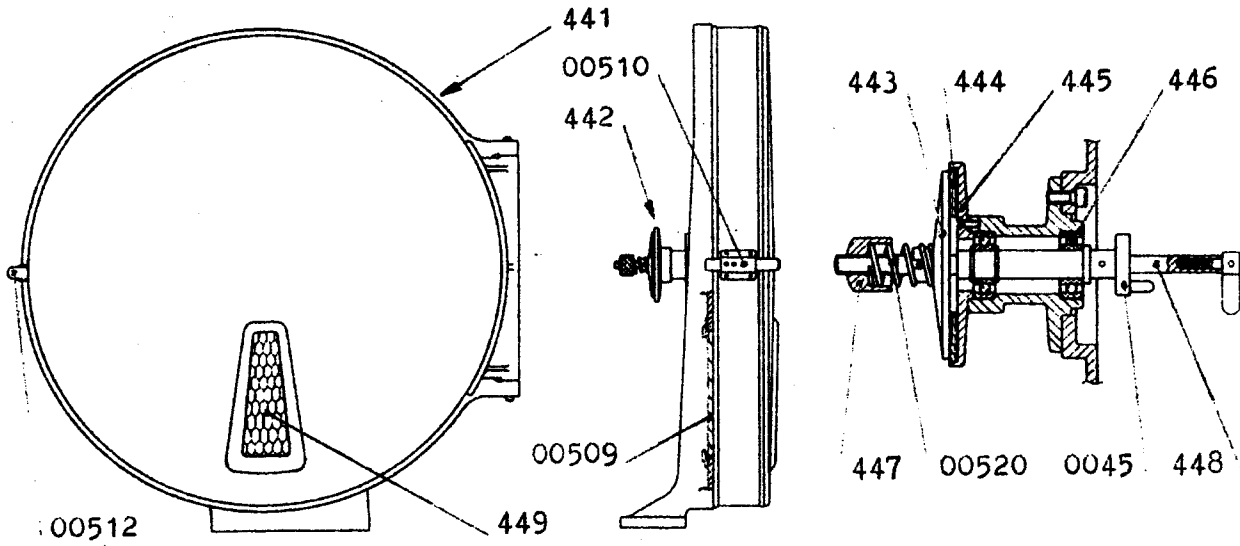


FIG. 13

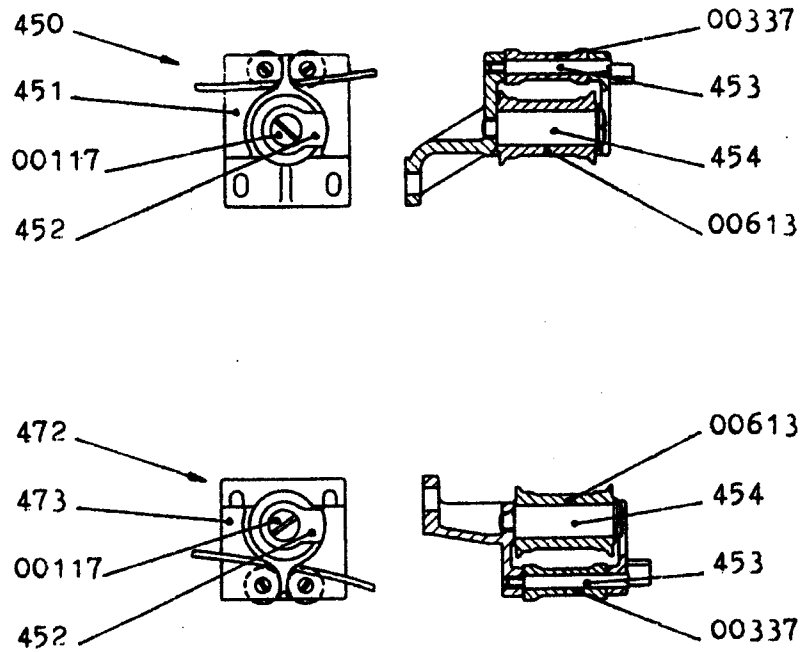


FIG. 14

FIG. 13 - TOF SPOOL-BOX

- °0045 - Spool drive collar
- °00509 - Rear inspection window
- °00510 - Latch bracket with spring
- °00512 - Spool-box latch
- °00520 - Clutch spring
- °441 - Top spool-box complete with clutch and shaft
- °442 - Clutch and shaft assembly
- 443 - Clutch pressure plate
- 444 - Clutch washer (felt)
- 445 - Clutch disc, fixed
- 446 - Ball race
- 447 - Clutch spring tension nut
- °448 - Spool spindle with driving collar, 9 mm. dia.
- 449 - Front inspection window
- °456 - Spool spindle with driving collar, 5/16" dia.
- °457 - Spool spindle with driving collar, 12.7 mm. dia.

FIG. 14 - TOP AND BOTTOM FIRETRAPS  
( up to serial No. 84500 )

- °00117 - Roller fixing screw
- °00337 - Plain roller (15 mm o.d.)
- °00613 - Flanged roller (33 mm o.d.)
- °450 - Top firetrap assembly
- °451 - Top firetrap (frame only)
- °452 - Top firetrap safety plate
- °453 - Roller spindle
- °454 - Flanged roller spindle
- °472 - Bottom firetrap assembly
- °473 - Bottom firetrap (frame only)

FIG. 15 - TOP AND BOTTOM FIRETRAPS  
(from serial No. 84501)

- °00337 - Plain roller (15 mm o.d.)
- °00613 - Flanged roller (33 mm o.d.)
- °8V-1300 - Top or bottom firetrap
- °8V-1301 - Top or bottom firetrap (frame only)
- °8V-1302 - Roller spindle
- °8V-1303 - Flanged roller spindle
- °8V-7417 - Roller fixing washer with screw

FIG. 16 - LOWER SPOOL-BOX

- 00510 - Latch bracket with spring
- °00512 - Spool-box latch
- °471 - Bottom spool-box assembly, less take-up and shaft

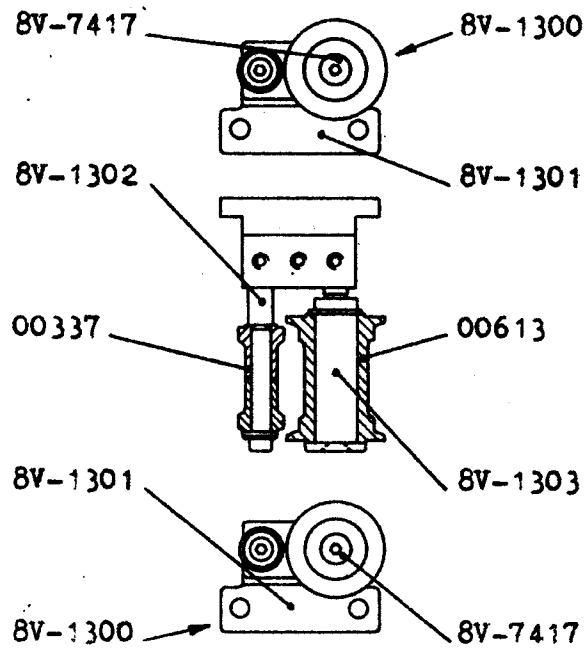


FIG. 15

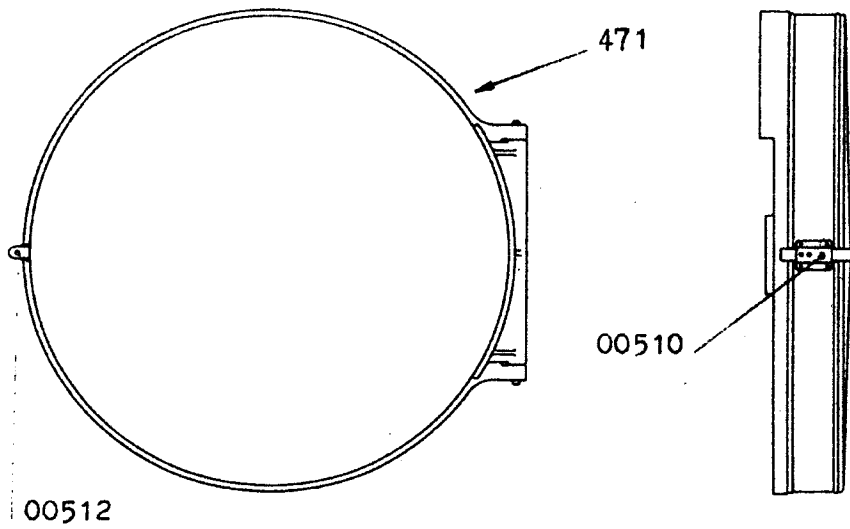


FIG. 16



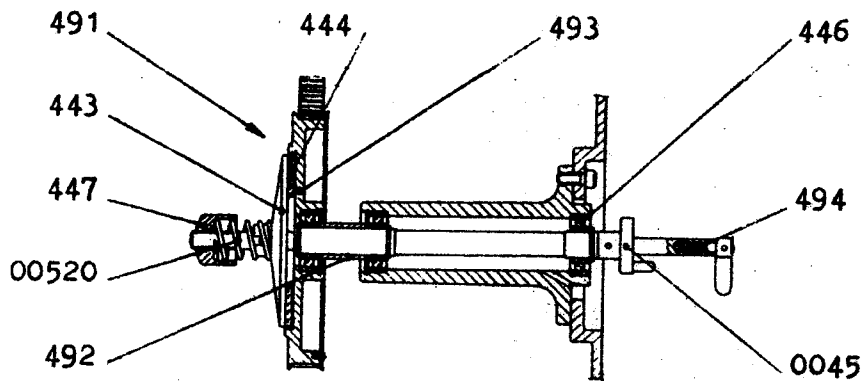


FIG. 17

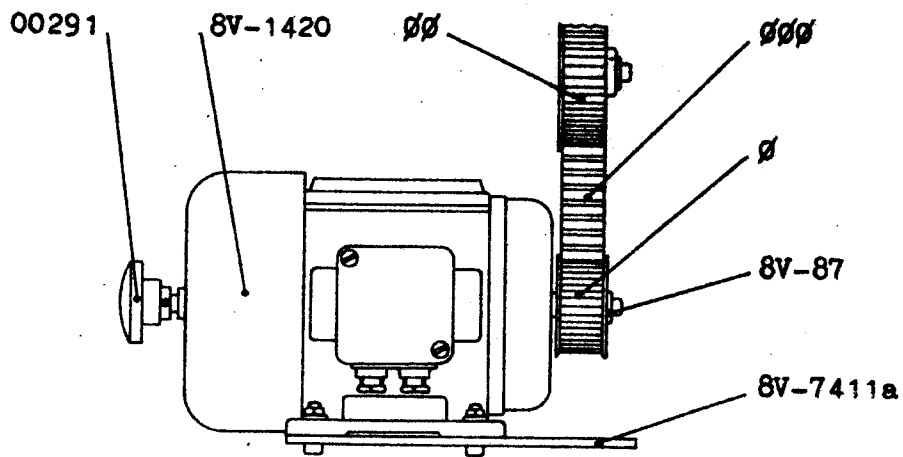


FIG. 18

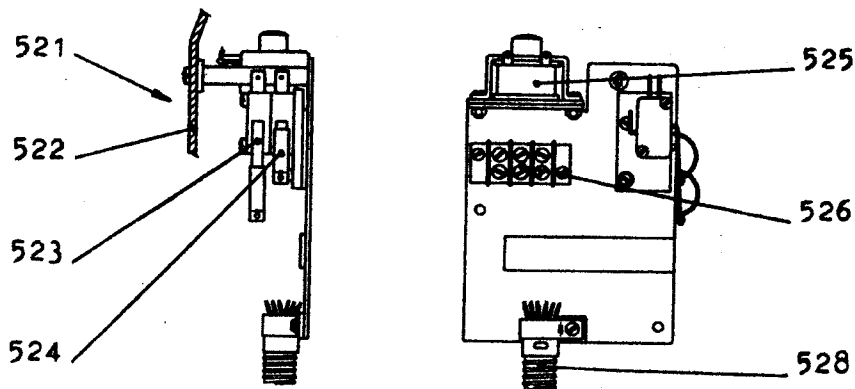


FIG. 19

FIG. 17 - TAKE-UP

- °0045 - Spool driving collar
- °00520 - Clutch spring
- 443 - Clutch pressure plate
- 444 - Clutch insert (felt)
- 446 - Ball race
- 447 - Clutch spring tension nut
- °491 - Take-up assembly
- °492 - Bush
- 493 - Take-up toothed pulley
- °494 - Spool spindle with driving collar assembly 9mm
- °495 - Spool spindle with driving collar assembly 5/16"
- °496 - Spool spindle with driving collar assembly 12.7mm

FIG. 18 - MOTOR (from serial No. 84400)

- 00291 - Knob - 50 mm dia.
- 8V-87 - Washer with screw
- 8V-1420 - 8 pole drive motor (Volts and cycles to be advised)
- 8V-7411a - Motor support plate

TABLE OF RATIOS				
FPS	Hz	Pinion $\emptyset$	Fulley $\emptyset\emptyset$	Belt $\emptyset\emptyset\emptyset$
24	50	Z.36 8V-7412	Z.55 8V-85	8V-1422
24	60	Z.30 8V-7412g	Z.55 8V-85	8V-1422
24 Sync.	50	Z.32 8V-1441	Z.50 8V-85s	8V-1422
24 Sync.	60	Z.32 8V-1441	Z.60 8V-85b	8V-1452
25 Sync.	50	Z.40 8V-1466	Z.60 8V-85b	8V-1452

FIG. 19 - PICTURE CHANGEOVER MECHANISM  
( from serial No. 83605 )

- 521 - Complete change over mechanism with no.116 lever
- 522 - Cover
- 523 - Microswitch for sound change over
- 524 - Microswitch for picture change over
- 525 - Solenoid assembly (specify voltage)
- 526 - Three way terminal board
- 528 - Cable form

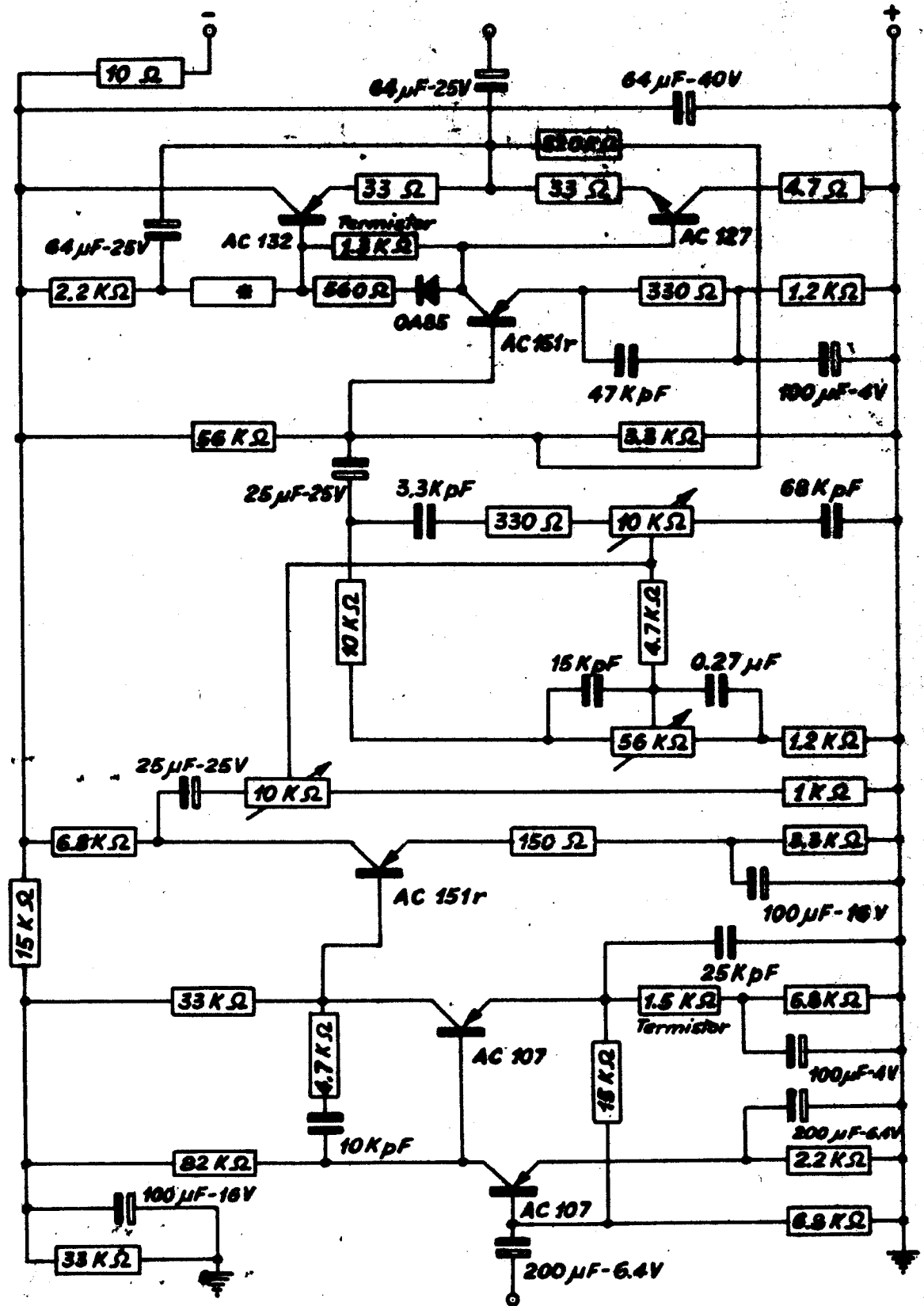
Disegnato  
da **MO**  
Controllato  
da



**ESIBITO PREAMPLIFICAZIONE MAGNETO 78/65**  
**Schéma électrique**  
**78/65 MAGNETO PREAMPLIFIER MODULE**  
**Wiring diagram**

Tabella  
5793

Data: 11-65  
 Modifiche  
 28/2/66



Tutte le resistenze sono di 1/8W  
 All resistors 1/8W  
 \* Taratura al collaudo  
 \* Calibrated during test



Disegnato da *MAU*

Controllato da .....

Data: 12-11-68

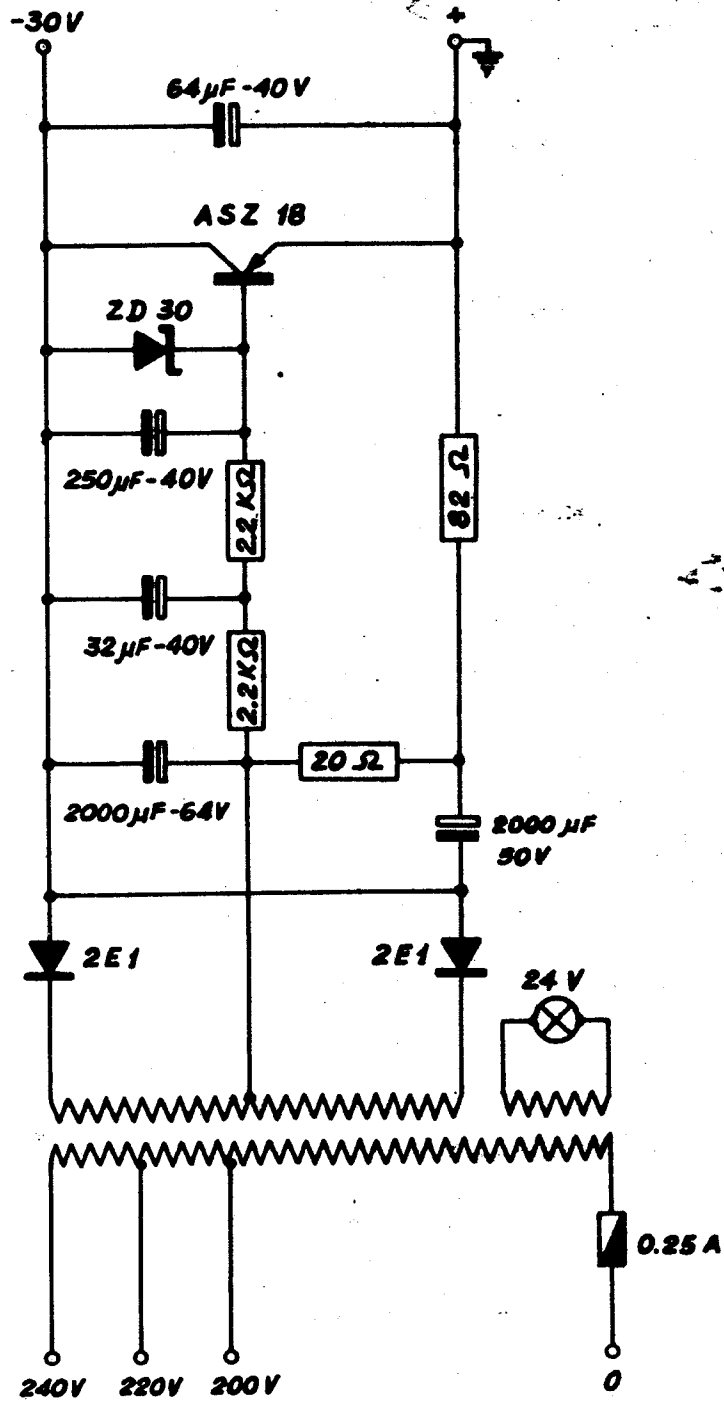
Modifiche



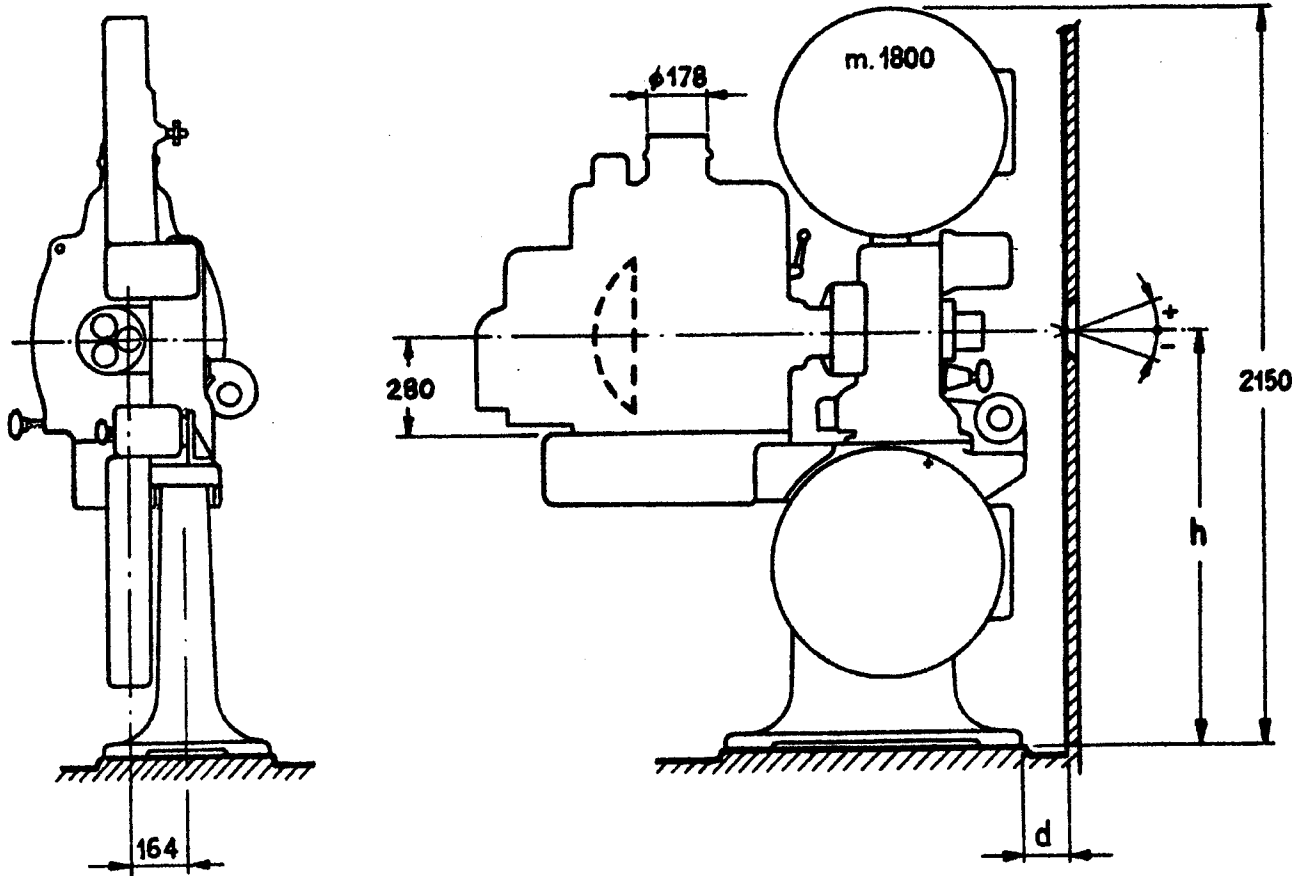
ALIMENTATORE PREAMPLIFICATORE PM/65 T.6  
Schema elettrico  
PM/65 T.6 PREAMPLIFIER POWER SUPPLY  
Wiring diagram

Tabella

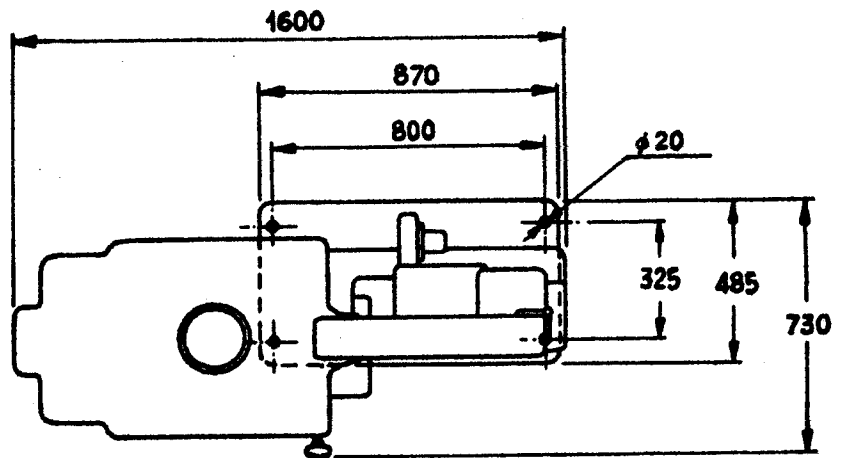
5782a

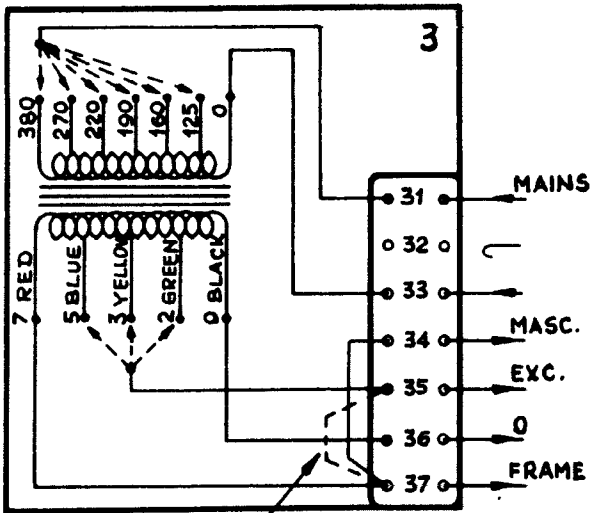
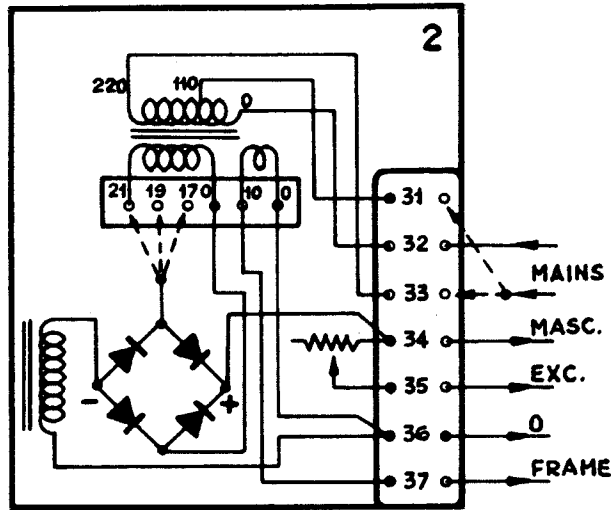
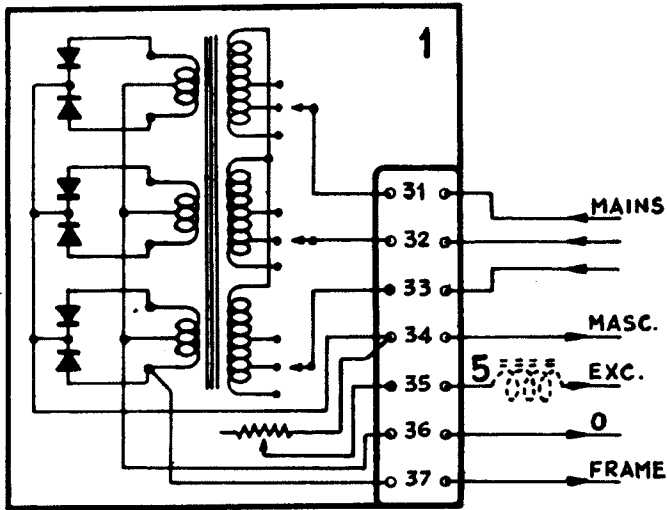


VICTORIA 8 con SUPERZENITH 450  
Misure d'ingombro



INCLIN. PROIEZ.	d	h
+ 6°	115	1240
+ 4°	115	1230
+ 2°	115	1215
0°	115	1200
- 2°	155	1185
- 4°	195	1170
- 6°	235	1150
- 8°	270	1130
- 10°	310	1105
- 12°	350	1080
- 14°	385	1050
- 16°	420	1020
- 18°	455	985
- 20°	490	945





1 - D.C. power supply for exciter and framing lamps: threephase mains

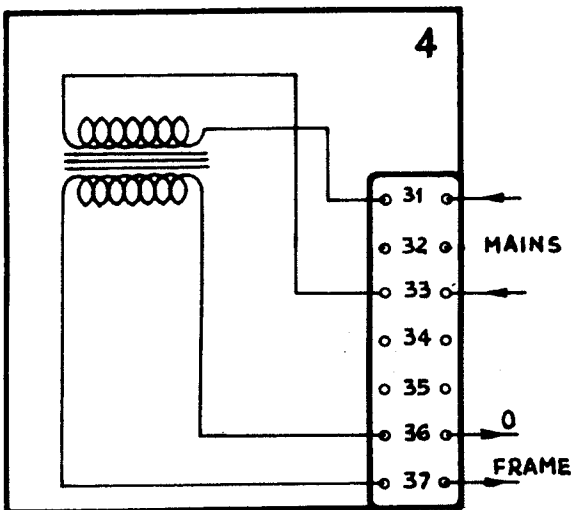
2 - D.C. power supply for exciter and framing lamps: singlephase mains

3 - A.C. power supply for exciter and framing lamps

4 - A.C. power supply for framing lamps

5 - Smoothing choke for exciter lamp current (on request)

\* - Jumper for operation with exciter lamp control rheostat



DIS. <i>M. M. M.</i>	VICTORIA 8-X-IV/E	
VISTO <i>M. M. M.</i>	Exciter and framing lamp power supplies	
DATA 24/5/65	CINEMECCANICA s.p.a.	Dis. 5524

Diodo OA210

4r<sub>e</sub> 75 220

10-2-65

### LEGGENDA - LEGENDA

R<sub>1</sub> = 220 Ω - 1 W

R<sub>2</sub> = 220 Ω - 1 W

R<sub>3</sub> = 5000 Ω - 1 W

C<sub>1</sub> = 200 μF - 50 V

C<sub>2</sub> = 200 μF - 50 V

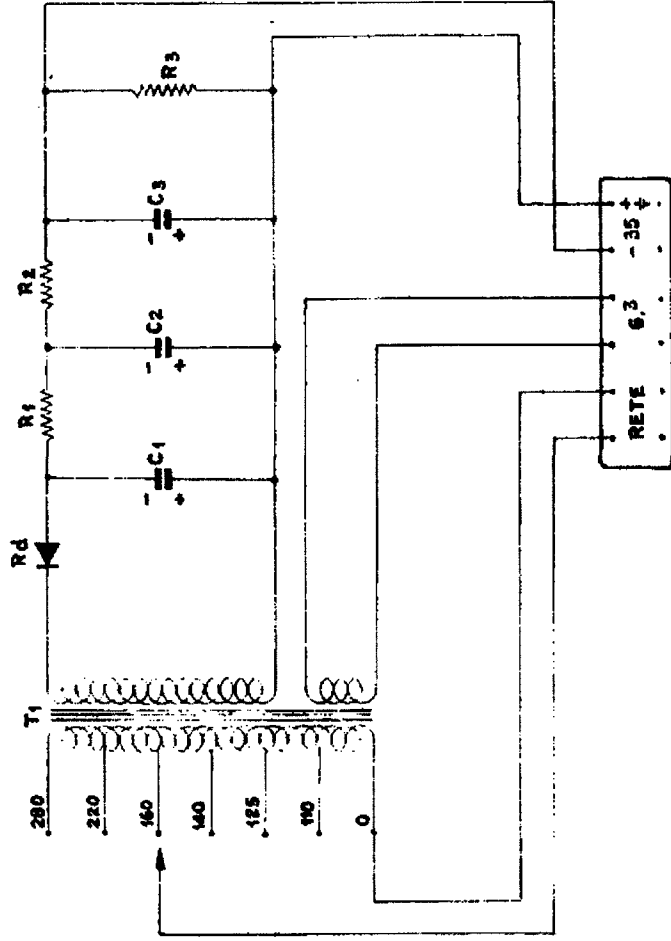
C<sub>3</sub> = 200 μF - 50 V

R<sub>d</sub> = Diode OA 210

R<sub>d</sub> = Diode

T<sub>1</sub> = Trasformatore AT 360

T<sub>1</sub> = Transformer



Dis. J. Quaglia

Wistb

Data 20/2/64

ALIMENTATORE PER PT/60

con Amplificatore a valvole

Schetha elettrico

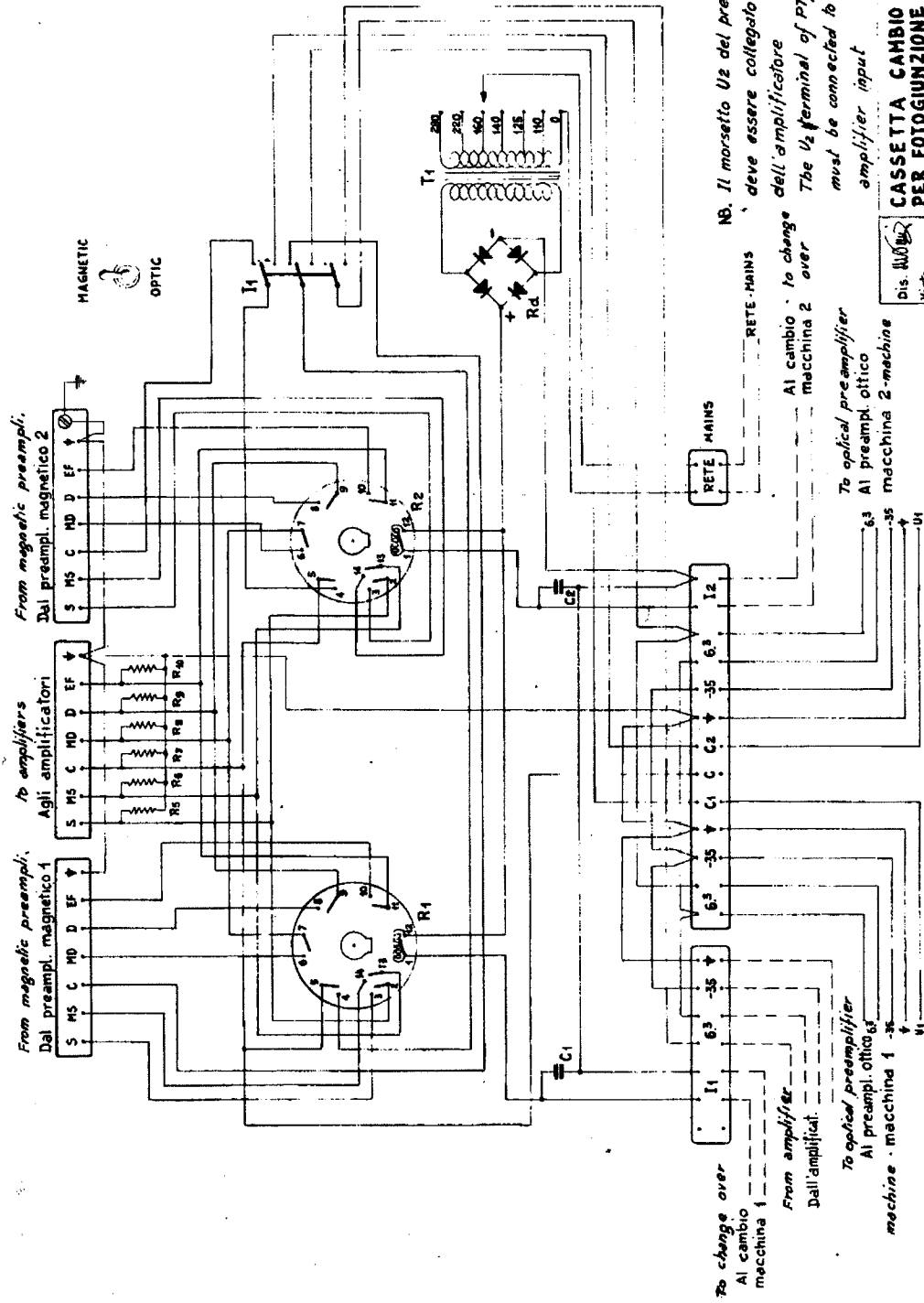
CINEMECCANICA s.p.a. Ed. 5030



Aggiunto  
Resistenza  
50000 Ω - 1/4 W  
11-11-63

**LEGGENDA**

- C1 = 0.1 μF - 250 Vt
- C2 = 0.1 μF - 250 Vt
- I1 = Three pole switch
- T1 = Supply transformer
- Rd = Selenium rectifier
- R5 = 50000 Ω - 1/4 W
- R6 = 50000 Ω - 1/4 W
- R7 = 50000 Ω - 1/4 W
- R8 = 50000 Ω - 1/4 W
- R9 = 50000 Ω - 1/4 W
- R10 = 50000 Ω - 1/4 W



**NB. Il morsetto U2 del preampl. P7/60 deve essere collegato all'ingresso dell'amplificatore**  
*The U<sub>2</sub> terminal of P7/60 preamp. must be connected to the power amplifier input*

**Al cambio - to change macchina 2 over**  
*The U<sub>2</sub> terminal of P7/60 preamp. must be connected to the power amplifier input*

**To optical preamplifier**  
 Al preampl. ottico  
 macchina 2-machine

**To change over**  
 Al cambio macchina 1

**From amplifier**  
 Dall'amplificat.

**To optical preamplifier**  
 Al preampl. ottico  
 macchina 1-machine

**CASSETTA CAMBIO MACCHINA PER FOTOGIUNZIONE**  
 CHANGE OVER FOR PHOTOIONIZATION BOX  
 Schema elettrico  
 CINEMECCANICA s.p.a. Dis. 5531

Dis. 110/63  
 Vido  
 Data 27/4/63  
 Red. 11-11-63