

# Film-Tech

The information contained in this Adobe Acrobat pdf file is provided at your own risk and good judgment.

These manuals are designed to facilitate the exchange of information related to cinema projection and film handling, with no warranties nor obligations from the authors, for qualified field service engineers.

If you are not a qualified technician, please make no adjustments to anything you may read about in these Adobe manual downloads.

[www.film-tech.com](http://www.film-tech.com)

# PARTS MANUAL



## **CINEMA FILM SYSTEMS**

779 N. Benson Ave.  
Upland, Calif. 91786  
(909) 931-9318  
Fax: 909-949-8815  
[www.cfsren.com](http://www.cfsren.com)

# INDEX

	<b>Page No.</b>
COMPLETE ASSEMBLIES, ORDERING NUMBERS	3
5 PLATTER FRAME PARTS DIAGRAM	4
Parts List	6
— — —	7
Parts List	8
3 PLATTER FRAME PARTS DIAGRAM	9
Parts List	10
— — —	11
Parts List	12
5 PLATTER ROLLER AND ARM ASSEMBLIES PARTS DIAG.	13
Parts List	14
3 PLATTER ROLLER AND ARM ASSEMBLIES PARTS DIAG.	15
Parts List	16
MOTOR DRIVE ASSEMBLY PARTS DIAGRAM	17
Parts List	18
FEED-OUT CONTROLLER PARTS DIAGRAM	19
Parts List	20
MAKE-UP TABLE PARTS DIAGRAM	21
Parts List	22
— — —	23
Parts List	24
FILM ACCUMULATOR PARTS DIAGRAM	25
Parts List	25

## **COMPLETE ASSEMBLY ORDER NUMBERS**

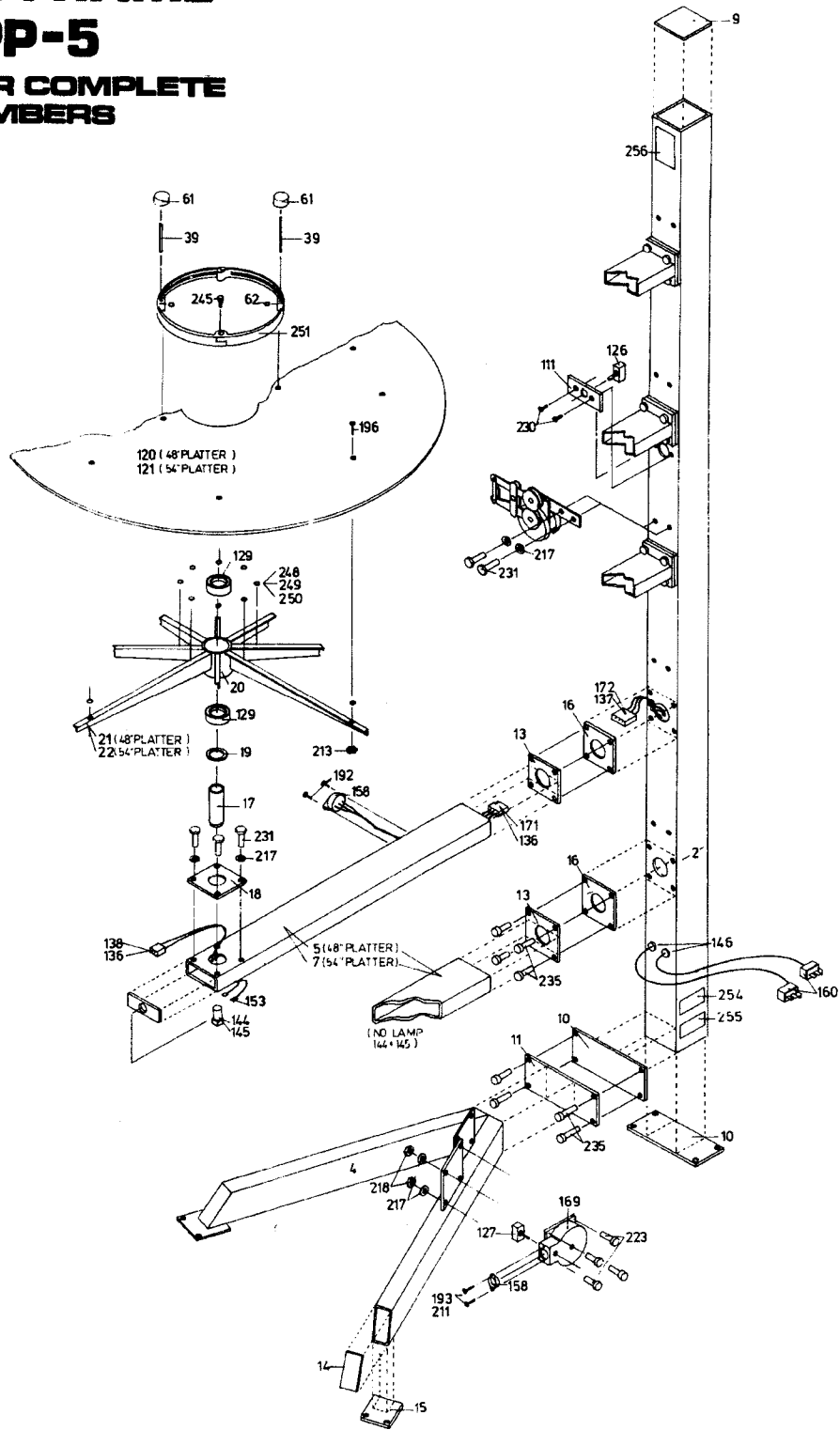
MAKE-UP TABLE DRIVEN SPINDLE ASSEMBLY	A-100
FEED-OUT CONTROLLER, COMPLETE	A-200
DRIVE MOTOR COMPLETE	A-210
3 PLATTER VARIAC ASSEMBLY	A-220
5 PLATTER VARIAC ASSEMBLY*	A-230
MOTOR LOCK-OUT ARM ASSEMBLY	A-300
MOTOR DRIVE WHEEL ASSEMBLY	A-400
MAKE-UP RING ASSEMBLY	A-500
3" ROLLER ASSEMBLY	A-600
REMOTE ROLLER ARM ASSEMBLY	A-700
FILM ACCUMULATOR	A-800
MAKE-UP TABLE TOP SWIVEL ASSEMBLY WITH ROLLERS	A-900
MAKE-UP TABLE BOTTOM SWIVEL ASSEMBLY WITH ROLLERS	A-1000

\*SPECIFY FRONT OR REAR

# PARTS

## 5 PLATTER FRAME MODEL SPP-5

SEE PAGE 3 FOR COMPLETE  
ASSEMBLY NUMBERS



## PARTS 5 PLATTER FRAME MODEL SPP-5

No.	Part No.	Description
2	M-08-101	Main frame post
4	M-08-103	Legs/variac mount
5	M-08-104	48" arm
7	M-08-106	54" arm
9	M-08-108	Main frame top cap
10	M-08-109	Main frame bottom mounting plate
11	M-08-110	Main frame leg mounting plate
12	M-08-111	Arm, end cap
13	M-08-112	Arm mounting plate
14	M-08-113	Leg, end cap
15	M-08-114	Leg bottom mounting plate
16	M-08-115	Main frame, end mounting plate
17	M-08-116	Platter spindle shaft
18	M-08-117	Platter spindle mounting plate
19	M-03-109	Platter spindle spacer
20	M-08-118	Spoke hub
21	M-08-119	48" platter spoke
22	M-08-120	54" platter spoke
23	M-08-121	Variac mounting plate
39	VM-17-101	Push pin shaft
61	M-10-111	Push pin knob
62	M-10-112	Push pin bushing
111	M-06-101	Switch plate
120	M-07-105	48" platter top
121	M-07-106	54" platter top
126	V-01-103	Toggle switch
127	V-01-104	Momentary switch
129	V-01-106	Bearing
153	V-02-119	Spade terminal
136	V-02-102	Connector female
137	V-02-103	Connector male
138	V-02-104	Receptical
142	V-02-108	Cable tie
144	V-02-143*	Light holder
145	V-02-144*	Lamp
146	V-02-112	Post cord clamp
158	V-02-124	Jones socket
160	V-02-126	Jones plug
169	V-02-135	Variac
171	V-02-137	Receptical
172	V-02-138	Plug
192	V-07-101	Round head machine screw
193	V-07-102	Round head machine screw
196	V-07-105	Flat head phillips screw
211	V-07-120	Nut
213	V-07-122	Nylon nut
217	V-07-126	Flat washer
218	V-07-127	Nut
223	V-07-132	Capscrew
230	V-07-139	Flat head machine screw
231	V-07-140	Hex head bolt
235	V-07-144	Capscrew
245	V-07-154	Shoulder bolt
248	VM-11-100	Rubber leveling washer
249	VM-11-101	Rubber leveling washer
cont.		

250	VM-10-100	Plastic washer
251	VM-12-100	Make-up ring
254	V-13-102	Label-serial no.
255	V-13-103	Label-company name
256	V-13-104	Label "super platter"

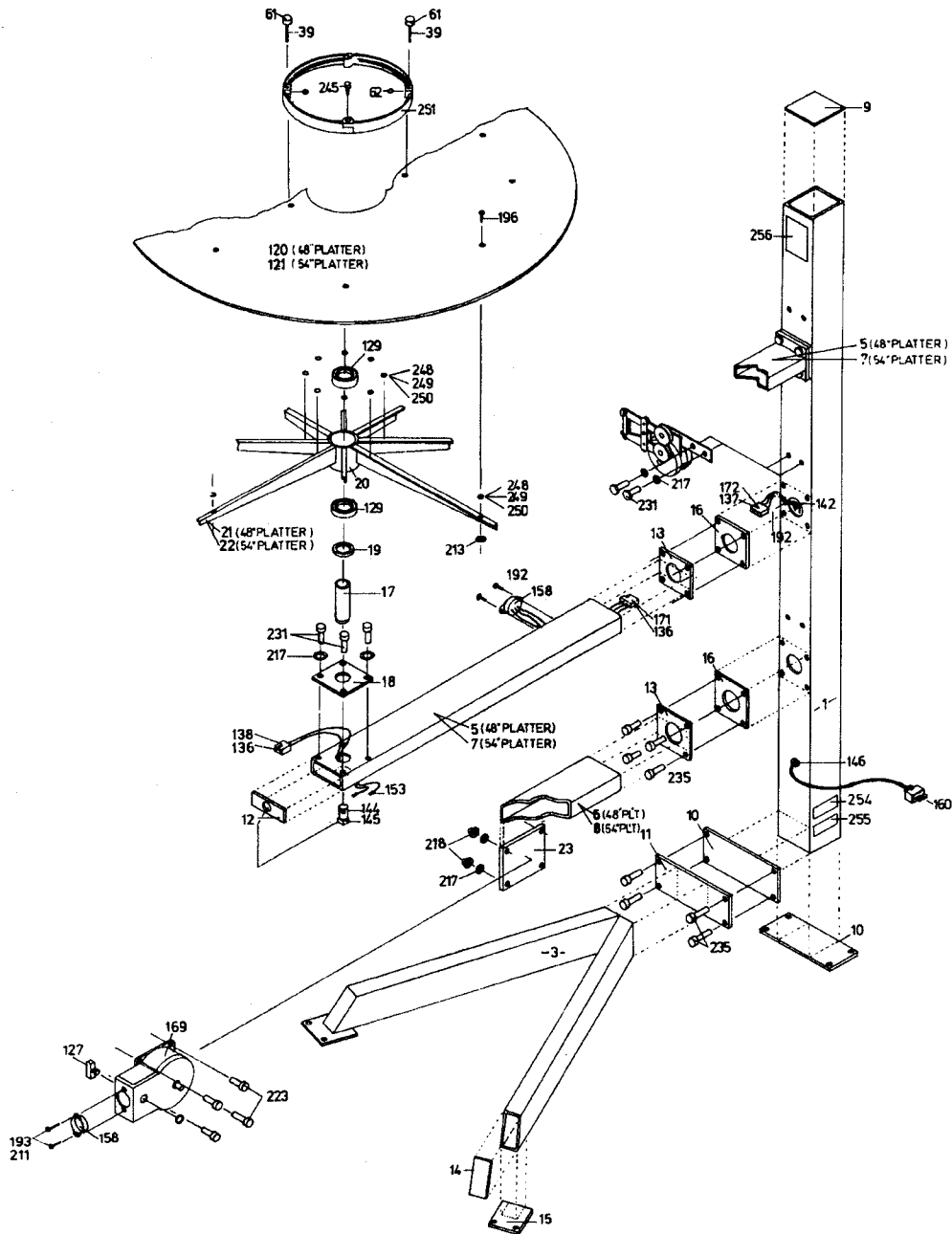
\*Replacement No. for models with plastic lamp holder use no. V-02-110 for lamp holder and V-02-111 for lamp.

# PARTS

## 3 PLATTER FRAME

### MODEL SPP-3

SEE PAGE 3 FOR COMPLETE  
ASSEMBLY NUMBERS





### 3 PLATTER FRAME MODEL SPP-3

No.	Part No.	Description
1	M-08-100	Main frame post
3	M-08-102	Legs
5	M-08-104	48" platter arm
6	M-08-105	48" platter arm with variac mount
7	M-08-106	54" platter arm
8	M-08-107	54" platter arm with variac mount
9	M-08-108	Main frame top cap
10	M-08-109	Main frame bottom plate
11	M-08-110	Main frame leg, mounting plate
12	M-08-111	Arm, end cap
13	M-08-112	Arm, end mounting plate
14	M-08-113	Leg, end cap
15	M-08-114	Leg, end bottom plate
16	M-08-115	Main frame arm mounting plate
17	M-08-116	Platter spindle shaft
18	M-08-117	Platter, spindle mounting plate
19	M-03-109	Platter spindle spacer
20	M-08-118	Spoke hub
21	M-08-119	48" platter spoke
22	M-08-120	54" platter spoke
23	M-08-121	Variac mounting plate
39	VM-17-101	Push pin shaft
61	M-10-111	Push pin knob
62	M-10-112	Push pin bushing
120	M-07-105	48" platter top
121	M-07-106	54" platter top
127	V-01-104	Momentary switch
129	V-01-106	Bearing
153	V-02-119	Spade terminal
136	V-02-102	Connector female
137	V-02-103	Connector male
138	V-02-104	Receptical
142	V-02-108	Cable tie
144	V-02-143 *	Light holder
145	V-02-144 *	Lamp
146	V-02-112	Cord clamp
158	V-02-124	Jones socket
160	V-02-126	Jones plug
169	V-02-135	Variac
171	V-02-137	Receptical
172	V-02-138	Plug
192	V-07-101	Round head machine screw
193	V-07-102	Round head machine screw
196	V-07-105	Flat head phillips
211	V-07-120	Nut
213	V-07-122	Nylon stop nut
217	V-07-126	Flat washer
218	V-07-127	Nut
223	V-07-132	Capscrew
231	V-07-140	Hex head bolt
235	V-07-144	Capscrew
245	V-07-154	Shoulder bolt
248	VM-11-100	Rubber leveling washer
249	VM-11-101	Rubber leveling washer
250	VM-10-100	Plastic leveling washer
251	VM-12-100	Make-up ring
cont.		

254 255 256	V-13-102 V-13-103 V-13-104	Label-serial number Label-company name Label-"super platter"
-------------------	----------------------------------	--

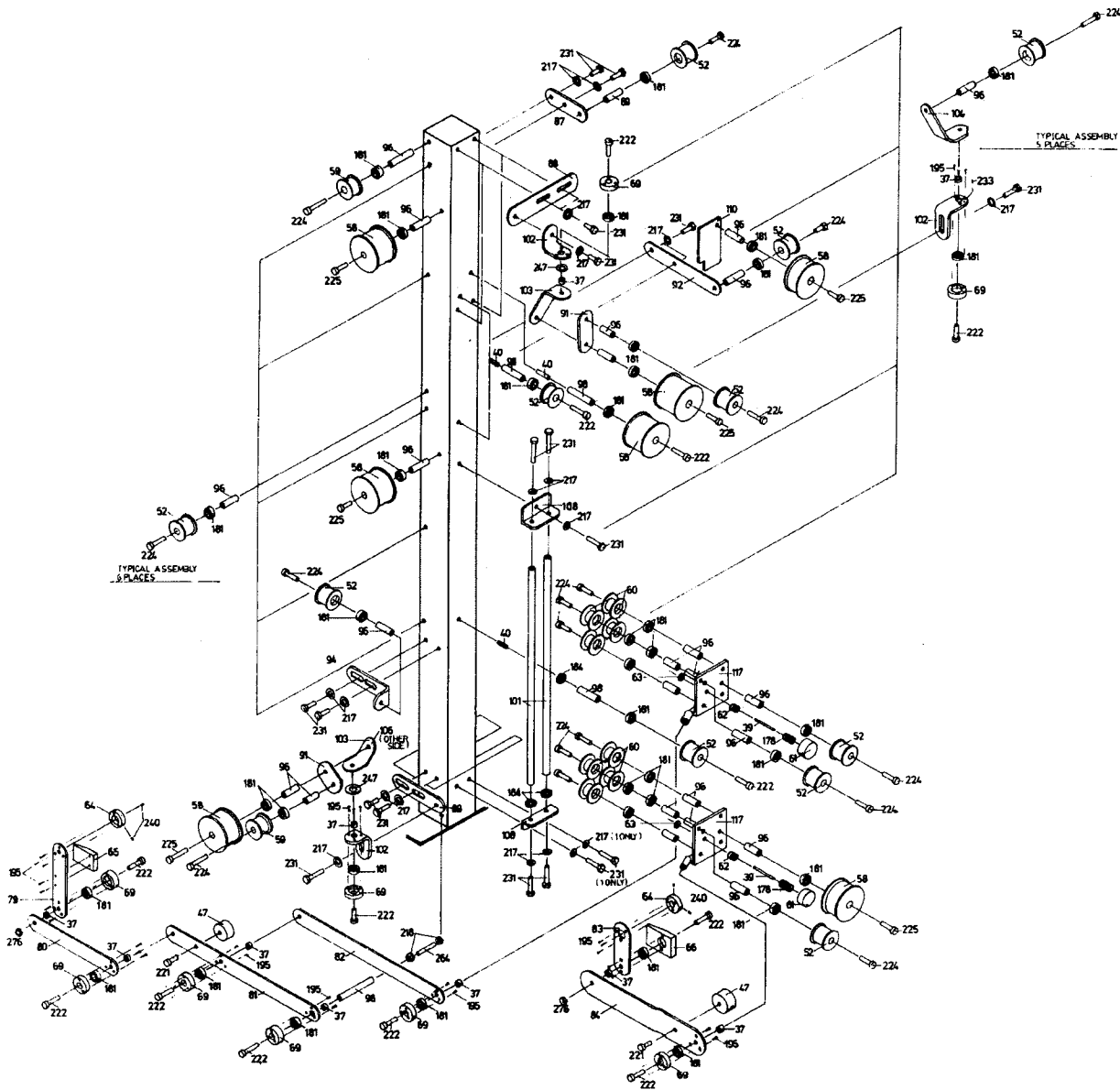
\*Replacement No. for models with plastic lamp holder use No. V-02-110 for lamp holder and V-02-111 for lamp.

# PARTS

## ROLLER & ARM ASSEMBLY

### MODEL SPP-5

SEE PAGE 3 FOR COMPLETE  
ASSEMBLY NUMBERS



## PARTS ROLLER & ARM ASSEMBLY MODEL SPP-5

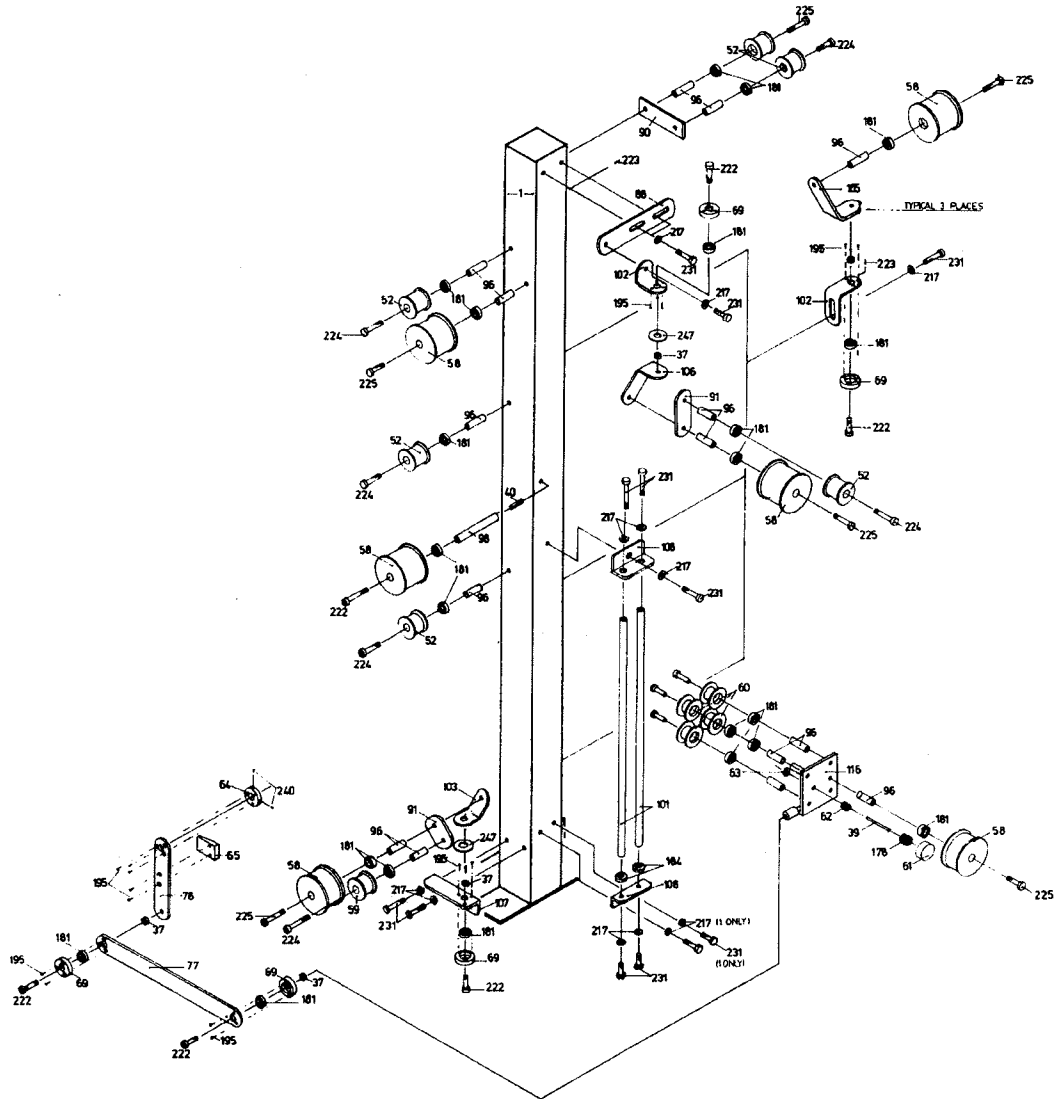
No.	Part No.	Description
37	VM-17-105	Spacer
39	VM-17-101	Push pin shaft
40	VM-05-100	Stud
47	M-07-103	Variac counter weights
52	M-10-102	1.50" roller guide
64	M-10-114	Variac attachment block
58	M-10-108	3.00" roller
59	M-10-109	Film keeper roller
60	M-10-110A	Speed control carriage roller
61	M-10-111	Push pin knob
62	M-10-112	Push pin bushing
63	M-10-113	Push pin retainer
65	M-10-115	Variac shut-off block
66	M-10-116	Variac shut-off block with bearing
69	M-10-120	Bearing block
79	M-01-106	Variac linkage arm
80	M-01-107	Variac linkage arm
81	M-01-108	Variac linkage arm
82	M-01-109	Variac linkage arm
83	M-01-110	Variac linkage arm
84	M-01-111	Variac linkage arm
87	M-01-114	Roller mounting arm
88	M-01-115	Swivel mounting arm
89	M-01-116	Swivel mounting arm
91	M-01-118	Keeper roller mounting arm
92	M-01-119	Welded bracket arm
94	M-02-102	Roller arm
96	VM-17-104	Spacer
98	VM-17-106	Spacer
101	M-04-102	Speed control guide rod
102	M-05-100	Adjustable bearing bracket
103	M-05-101	Full swing bracket
104	M-05-102	Limited swing bracket
106	M-05-104	Full swing bracket (notched)
108	M-05-106	Carriage rod mounting angle
110	M-05-108	Welded bracket assembly
117	M-06-107	Speed control carriage plate
178	V-05-100	Spring
181	V-05-103	Bearing
184	V-05-106	Rubber grommet
195	V-07-104	Flat head phillips
217	V-07-126	Flat washer
221	V-07-130	Capscrew
222	V-07-131	Capscrew
223	V-07-132	Capscrew
224	V-07-133	Capscrew
225	V-07-134	Capscrew
231	V-07-140	Hex head bolt
240	V-07-149	Set screw
247	VM-09-100	Friction washer
264	VM-07-106	All thread stud
276	V-07-156	Acorn nut



# PARTS

## ROLLER & ARM ASSEMBLY MODEL SPP-3

SEE PAGE 3 FOR COMPLETE  
ASSEMBLY NUMBERS



## PARTS ROLLER ARM & ARM ASSEMBLY MODEL SPP-3

No.	Part No.	Description
37	VM-17-105	Spacer
39	VM-17-101	Push pin shaft
40	VM-05-100	Stud
52	M-10-102	1.50" film guide roller
64	M-10-114	Variac attachment block
58	M-10-108	3" film guide roller
60	M-10-110A	Speed control carriage roller
61	M-10-111	Push pin knob
62	M-10-112	Push pin bushing
63	M-10-113	Push pin retainer
65	M-10-115	Variac shut-off block
69	M-10-120	Bearing block
77	M-01-104	Variac linkage arm
78	M-01-105	Variac linkage arm
88	M-01-115	Full swivel arm
90	M-01-117	Double roller arm
91	M-01-118	Keeper roller arm
96	VM-17-104	Spacer
98	VM-17-106	Spacer
101	M-04-102	Speed control guide rod
102	M-05-100	Adjustable bearing bracket
103	M-05-101	Full swing bracket
105	M-05-103	Limited swing bracket
106	M-05-104	Full swing bracket (notched)
107	M-05-105	Roller mounting angle
108	M-05-106	Carriage rod mounting angle
116	M-06-106	Speed control carriage plate
178	V-05-100	Spring
181	V-05-103	Bearing
184	V-05-106	Rubber grommet
195	V-07-104	Flat head phillips
217	V-07-126	Flat washer
222	V-07-131	Capscrew
223	V-07-132	Capscrew
224	V-07-133	Capscrew
225	V-07-134	Capscrew
231	V-07-140	Hex head bolt
240	V-07-149	Set screw
247	VM-09-100	Friction washer

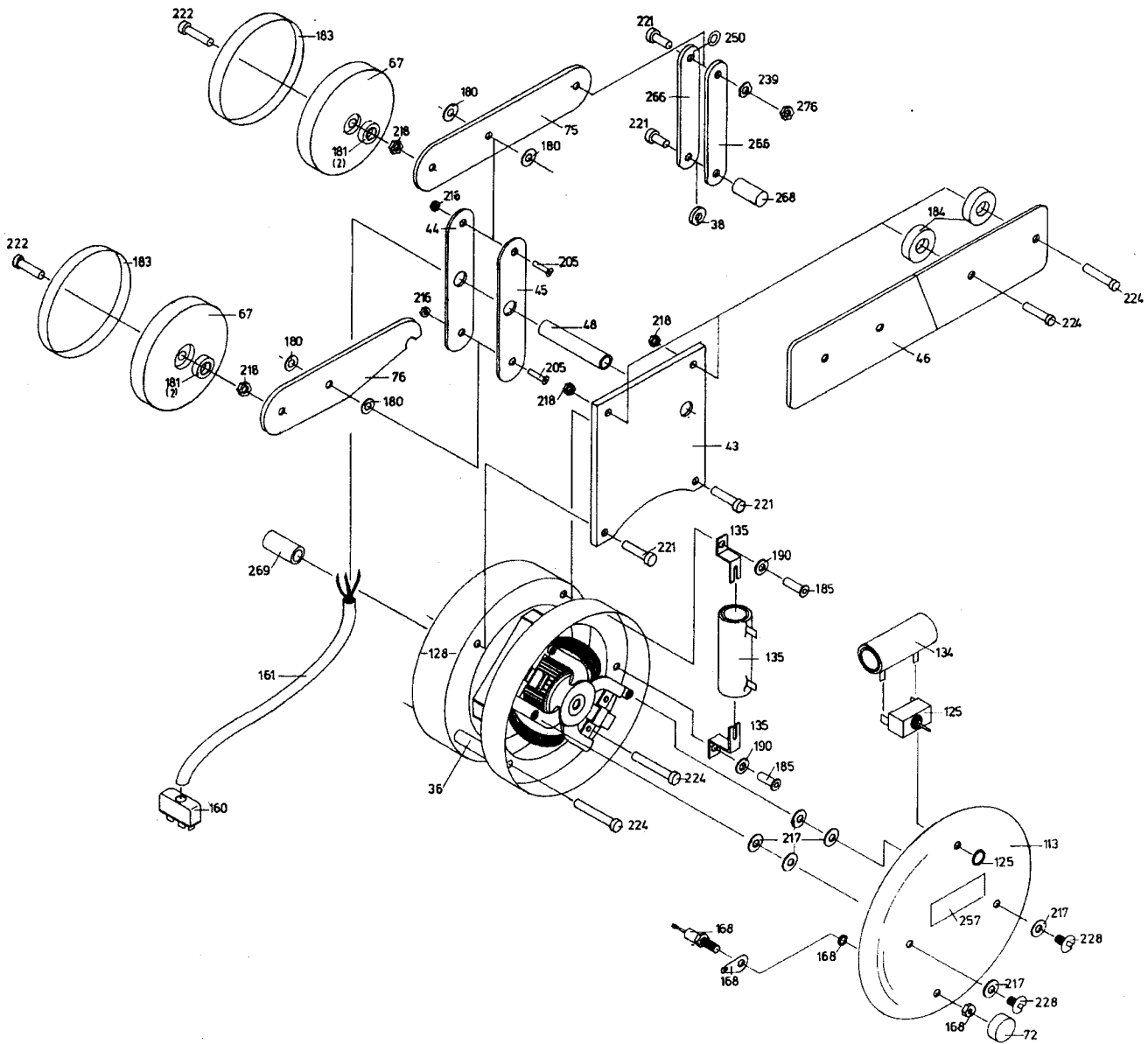
# PARTS

## MOTOR DRIVE ASSEMBLY

### ALL MODELS

COMPLETE ASSEMBLY A - 210

SEE PAGE 3 FOR OTHER ASSEMBLIES





## PARTS MOTOR DRIVE ASSEMBLY ALL MODELS

No.	Part No.	Description
36	M-03-105	Motor shroud spacer
38	VM-17-103	Motor drive lock-out arm spacer
43	M-06-108	Platter drive motor bracket
44	M-06-109	Platter drive roller arm mounting plate (clear)
45	M-06-110	Platter drive roller arm mounting plate (tap 8-32)
46	M-06-111	Motor hanger
48	M-07-104	Platter drive roller arm mounting tube
67	M-10-118	Platter drive wheel
72	M-10-123	Diode cover
75	M-01-102	Motor drive top arm
76	M-01-103	Motor drive bottom arm
113	M-06-103	Motor cover
125	V-01-102	Toggle switch
128	V-01-105	Motor
134	V-02-100	Resistor
135	V-02-101	Resistor
160	V-02-126	Plug
161	V-02-127	Wire
168	V-02-134	Complete diode
180	V-05-102	Flat washer
181	V-05-103	Bearing
183	V-05-105	Belt
184	V-05-106	Rubber grommet
185	V-06-100	Pop rivet
190	V-06-105	Backing washer
205	V-07-114	Pan head machine screw
216	V-07-125	Nut
217	V-07-126	Flat washer
218	V-07-127	Nut
221	V-07-130	Capscrew
222	V-07-131	Capscrew
224	V-07-133	Capscrew
228	V-07-137	Pan head machine screw
239	V-07-148	Spring washer
250	VM-10-100	Plastic washer
257	V-13-105	Motor label
266	M-01-120	Lock-out arm plate
268	M-03-111	Lock-out knob
269	VM-17-102	Motor drive shaft
276	V-07-156	Acorn nut

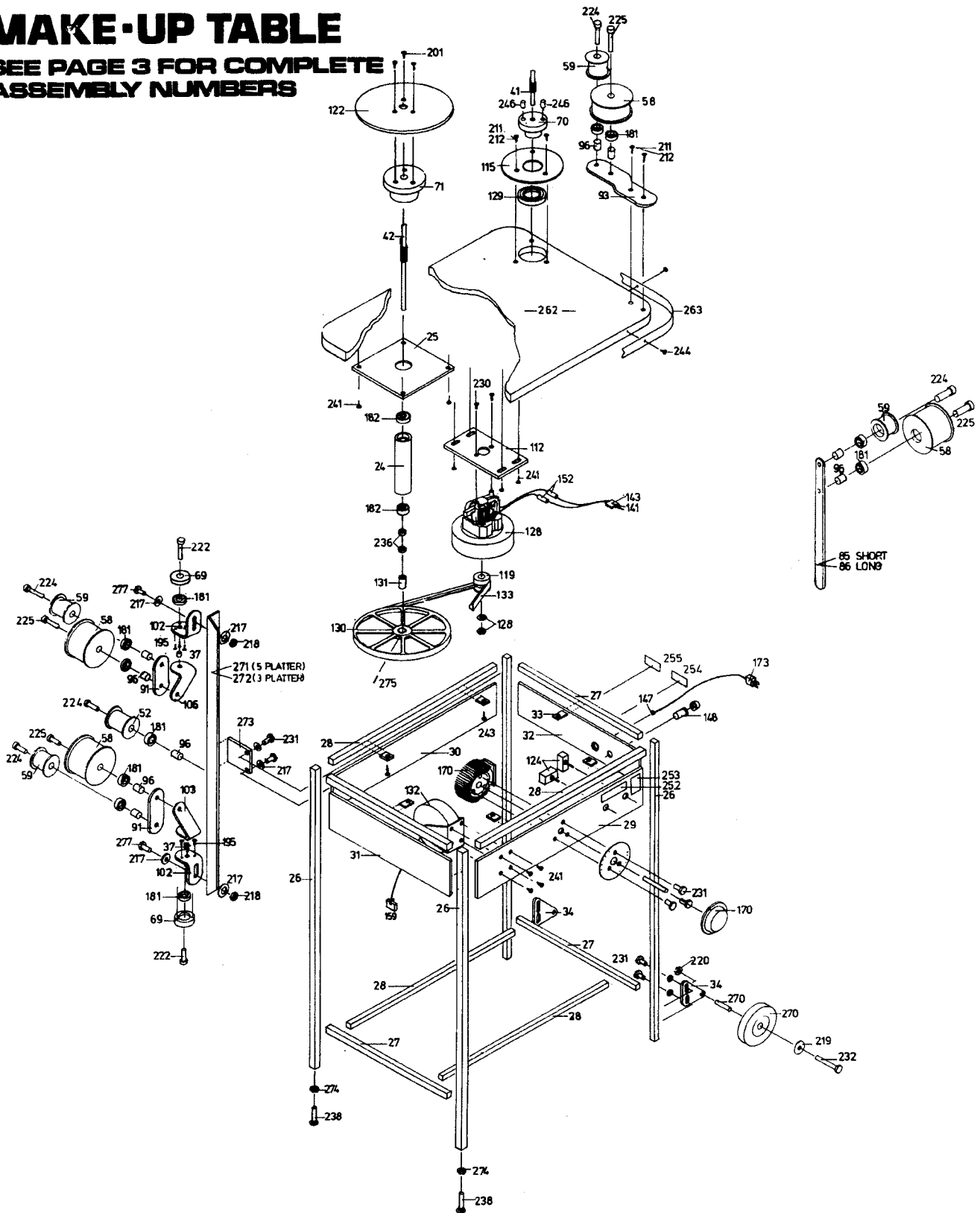


## PARTS FEED-OUT CONTROLLER ALL MODELS 35mm

No.	Parts No.	Description
37	VM-17-105	Spacer
49	VM-17-100	Speed control eccentric cam
51	M-10-101	Film guide roller
52	M-10-102	1.50" film guide roller
53	M-10-103	.750" film guide roller
54	M-10-104	1.50" film guide roller
55	M-10-105	Feed out control point mounting block
56	M-10-106	Feed out control point cover
57	M-10-107	Guide roller mounting block
73	M-10-124	Guide roller spacer
74	M-01-101	Guide arm lever
95	M-03-101	Angled spacer
99	M-03-107	Spacer
114	M-06-104	Base plate
137	V-02-103	Male pin connector
139	V-02-105	Plug
151	V-02-117	Spade terminal
165	V-02-131	Wire
167	V-02-133	Spacer
175	V-02-141	Spacer
179	V-05-101	Point set
181	V-05-103	Bearing
182	V-05-104	Bearing
197	V-07-106	Flat head machine screw
198	V-07-107	Binder screw
199	V-07-108	Pan head machine screw
201	V-07-110	Flat head phillips
202	V-07-111	Pan head phillips
203	V-07-112	Flat head machine screw
204	V-07-113	Flat head phillips
207	V-07-116	Flat head machine screw
210	V-07-119	Pan head machine screw
217	V-07-126	Flat washer
221	V-07-130	Capscrew
224	V-07-133	Capscrew
239	V-07-148	Spring washer
265	V-06-106	Nylon pan head screw

# PARTS MAKE-UP TABLE

SEE PAGE 3 FOR COMPLETE  
ASSEMBLY NUMBERS



## PARTS MAKE-UP TABLE

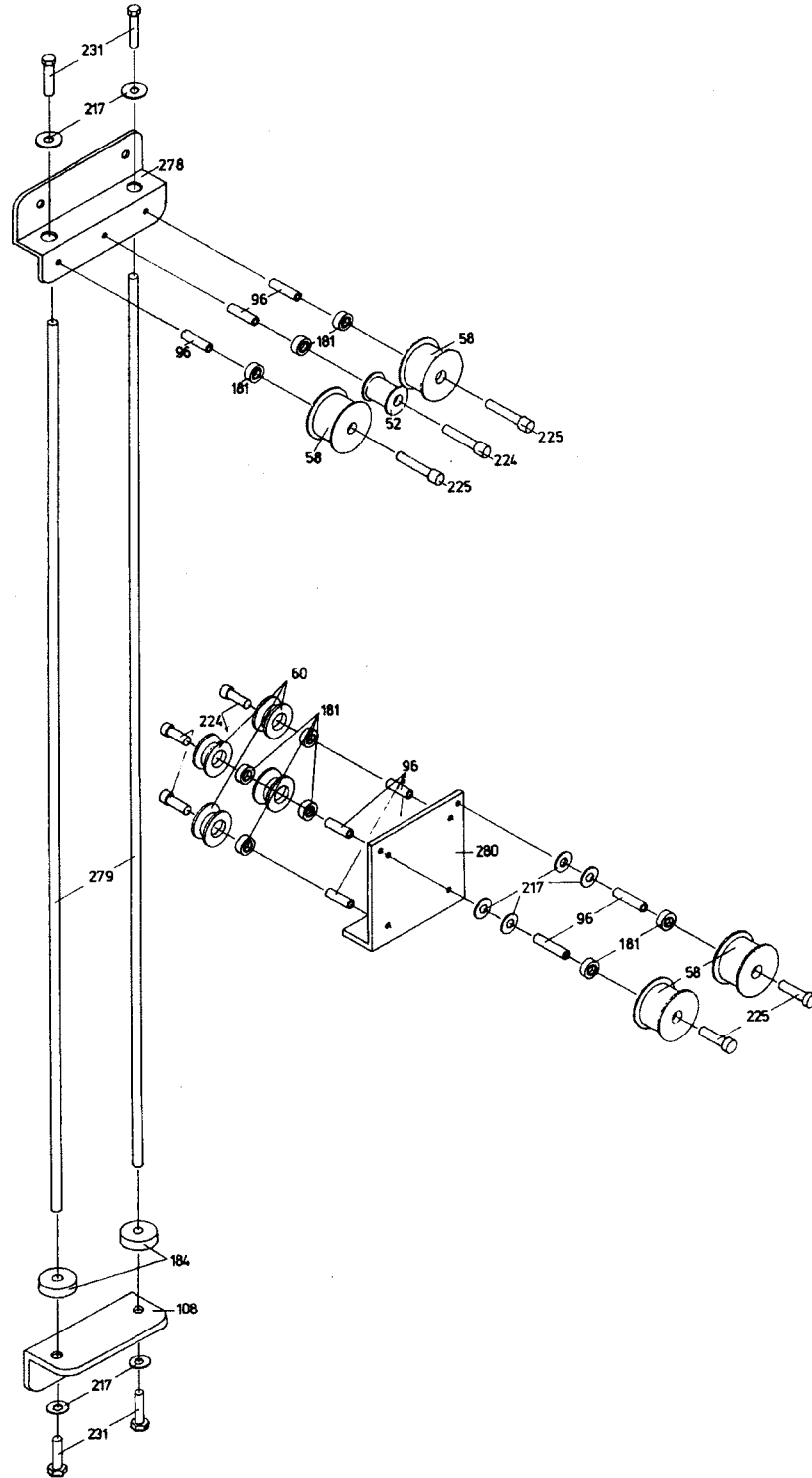
No.	Parts No.	Description
24	M-08-122	Spindle tube
25	M-08-123	Spindle mounting plate
26	M-08-124	Legs
27	M-08-125	Cross brace
28	M-08-126	Cross brace
29	M-08-127	Front plate
30	M-08-128	Back plate
31	M-08-129	Side plate
32	M-08-130	Side plate
33	M-08-131	Mounting tabs
34	M-08-132	Caster brackets
236	V-07-145	Pully spacer
37	VM-17-105	Spacer
41	M-04-103	Free-spin shaft
42	M-04-104	Driven shaft
58	M-10-108	3" film guide roller
59	M-10-109	Film keeper roller
69	M-10-120	Bearing block
70	M-10-121	Free-spin hub
71	M-10-122	Driven hub
85	M-01-112*	Remote mounting arm (short)
86	M-01-113*	Remote mounting arm (long)
91	M-01-118	Keeper roller mounting arm
93	M-02-101	Guide roller arm
96	VM-17-104	Spacer
102	M-05-100	Adjustable bearing bracket
103	M-05-101	Full swing bracket
106	M-05-104	Full swing bracket
112	M-06-102	Motor mount plate
115	M-06-105	Feed out mounting plate
119	M-07-102	Motor drive pulley
122	M-07-107	Table platter
124	V-01-101	Toggle switch
128	V-01-105	Motor
129	V-01-106	Bearing
130	V-01-107	Pulley
131	V-01-108	Brass bushing
132	V-01-109	Cord reel
133	V-01-110	V-belt
141	V-02-107	Cable tie
143	V-02-109	Adhesive tie mount
147	V-02-113	Cord clamp
148	V-02-114	Fuse holder & V-02-115 8 AMP fuse
152	V-02-118	Butt splice
159	V-02-125	Jones socket
170	V-02-136	Variac
173	V-02-139	Cord set
181	V-05-103	Bearing
182	V-05-104	Bearing
195	V-07-104	Flat head phillips
201	V-07-110	Flat head phillips
211	V-07-120	Nut
212	V-07-121	Washer
217	V-07-126	Flat washer
cont.		

218	V-07-127	Nut
219	V-07-128	Washer
220	V-07-129	Nut
222	V-07-131	Capscrew
224	V-07-133	Capscrew
225	V-07-134	Capscrew
230	V-07-139	Flat head machine screw
231	V-07-140	Hex head bolt
232	V-07-141	Hex head bolt
238	V-07-147	Carriage bolt
241	V-07-150	Pan head phillips sheet metal screw
244	V-07-153	Trim screw
246	V-08-100	Nylon set screw
252	V-13-100	Label, on/off
253	V-13-101	Label, "super platter" (small)
254	V-13-102	Label, serial no.
255	V-13-103	Label, company name
262	V-15-100	Formica table top
263	V-16-100	Trim
270	V-05-107	Plastic caster
271	M-08-134	Stand off angle (5 platter)
272	M-08-135	Stand off angle (3 platter)
273	M-08-136	Stand off plate
274	V-07-155	Hex nut
275	V-07-157	Roll pin
277	V-07-158	Hex head bolt
*Optional		

# PARTS

## FILM ACCUMULATOR

COMPLETE ASSEMBLY A-800



## FILM ACCUMULATOR (OPTIONAL)

No.	Parts No.	Description
52	M-10-102	1.50" film guide roller
58	M-10-108	3.00" film guide roller
60	M-10-110A	Speed control carriage roller
96	VM-17-104	Spacer
108	M-05-106	Carriage rod mounting angle
181	V-05-103	Bearing
184	V-05-106	Rubber grommet
217	V-07-126	Flat washer
224	V-07-133	Capscrew
225	V-07-134	Capscrew
231	V-07-140	Hex head bolt
278	M-05-109	Carriage rod and roller mounting angle
279	M-04-105	6 ft. speed controller rod
280	M-06-113	Speed controller carriage plate (clear)

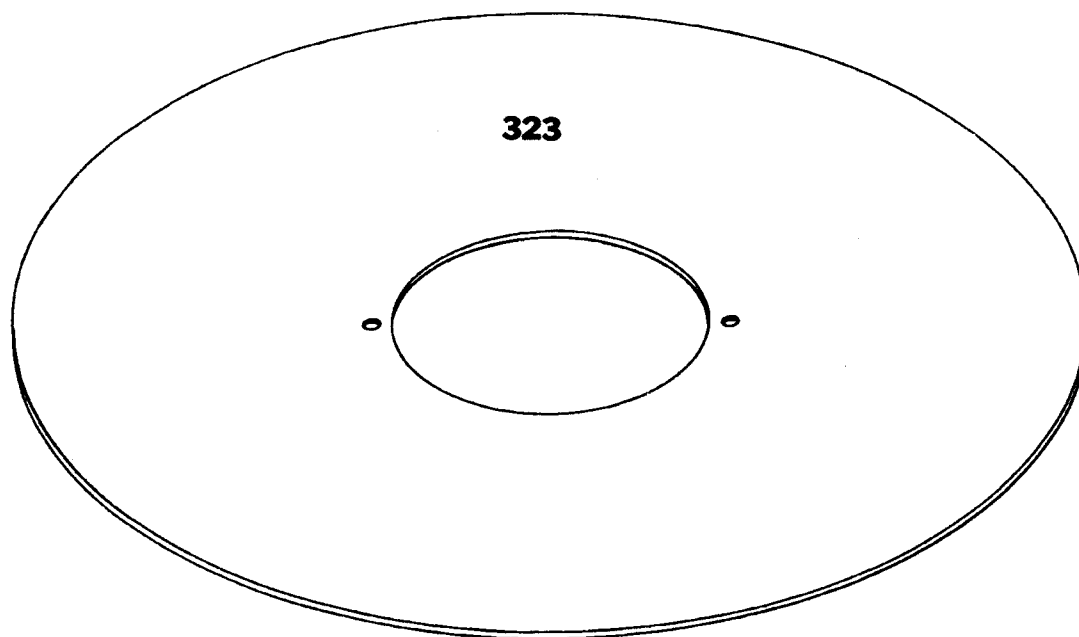


# **36" TRANSFER PLATTER**

## **OPTIONAL**

**ASSEMBLY N° A-4000**

**SPECIAL FEATURE: FITS OVER FEED OUT CONTROLLER, FOR TRANSFERRING STANDARD FEATURE MOVIE FROM ONE PLATTER, OR MACHINE, TO ANOTHER.**



<b>N°</b>	<b>PART N°</b>	<b>DESCRIPTION</b>
<b>323</b>	<b>M - 07 - 109</b>	<b>36" TRANSFER PLATTER</b>