

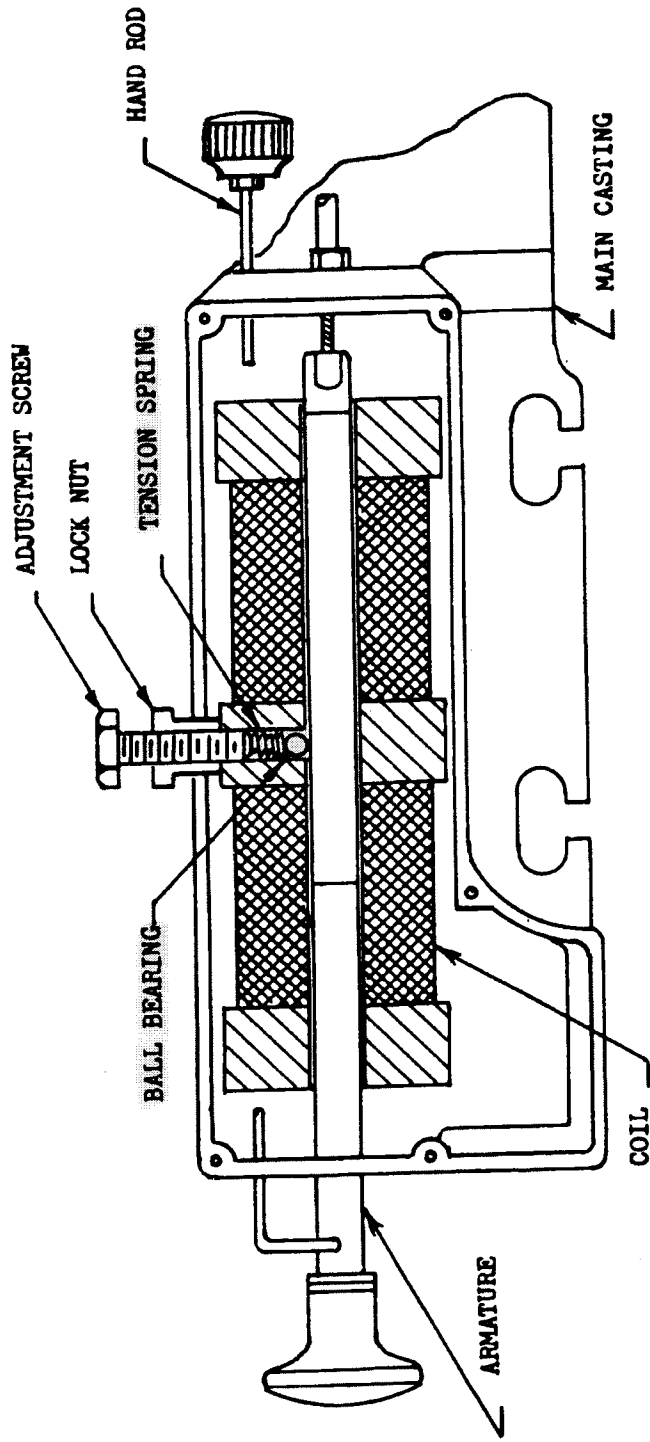
# Film-Tech

The information contained in this Adobe Acrobat pdf file is provided at your own risk and good judgment.

These manuals are designed to facilitate the exchange of information related to cinema projection and film handling, with no warranties nor obligations from the authors, for qualified field service engineers.

If you are not a qualified technician, please make no adjustments to anything you may read about in these Adobe manual downloads.

[www.film-tech.com](http://www.film-tech.com)



**INSTRUCTIONS FOR ADJUSTING CHANGEOVERS**

After changeover is installed on projector and you find it necessary to adjust armature speed or reduce shutter bounce, loosen locknut and turn adjustment screw to desired tension, work armature back and forth while making adjustment so that if any binding or sticking of armature or shutter occurs it can be readily detected. After adjustment is made tighten the locknut.

**CAUTION:** Never tighten the adjustment screw so tight that it will bind the armature. Never oil any parts of changeover. If at any time you find it necessary to remove the armature rod that extends thru the center of the coil, care should be taken to remove the spring and ball bearing first.

ESSANNAY ELECTRIC MFG. CO.  
 851 West Grand Avenue  
 Chicago, Illinois 60622  
 312 - 733-5050