

Film-Tech

The information contained in this Adobe Acrobat pdf file is provided at your own risk and good judgment.

These manuals are designed to facilitate the exchange of information related to cinema projection and film handling, with no warranties nor obligations from the authors, for qualified field service engineers.

If you are not a qualified technician, please make no adjustments to anything you may read about in these Adobe manual downloads

www.film-tech.com

Listino

Z E N I T H X 6500 H

Pezzi di ricambio

Pièces de rechange

Spare parts catalogue

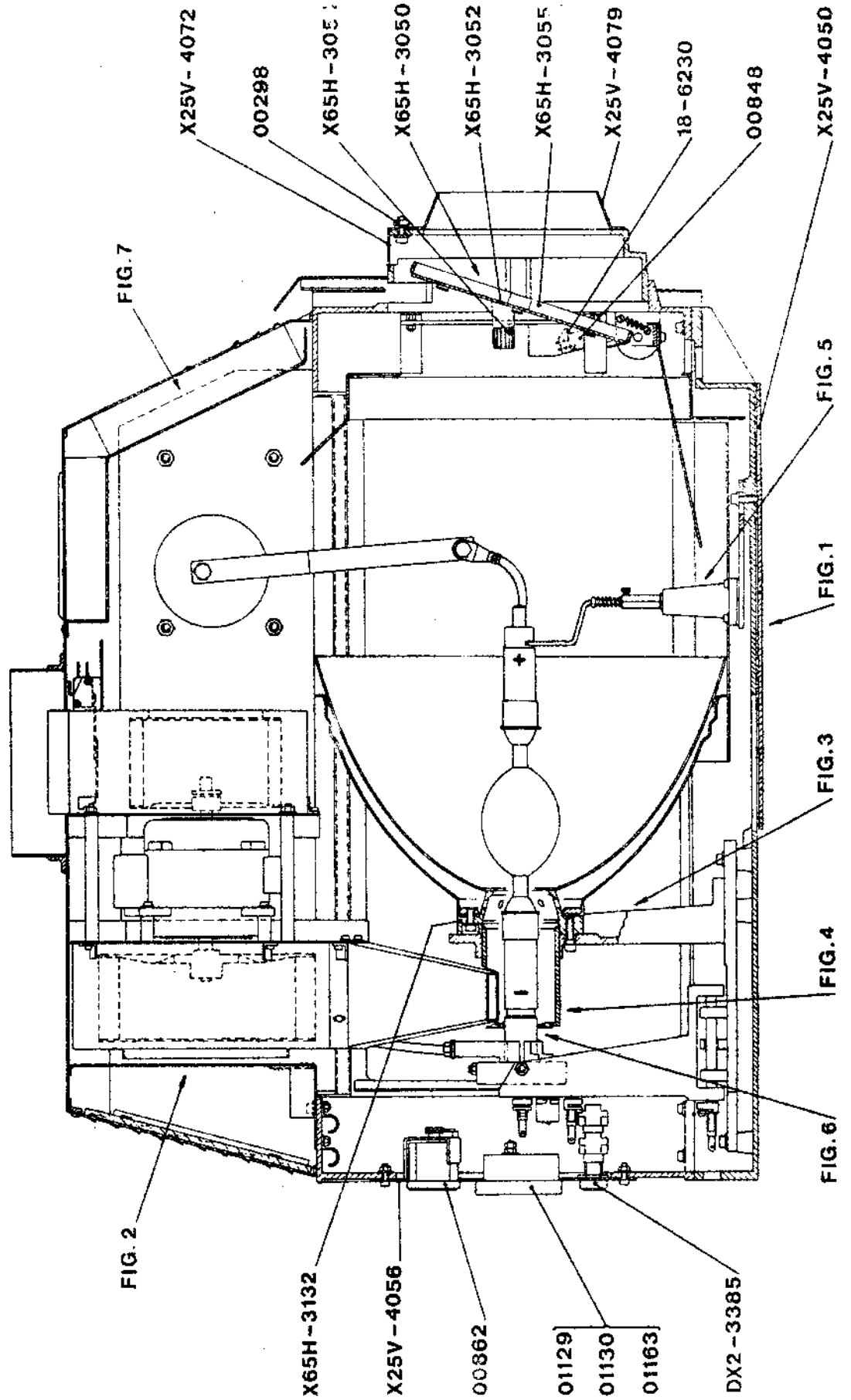
ZENITH X 6500 H

- FIG. 1 - LAMPHOUSE
 FIG. 2 - AIR FLOW SYSTEM
 FIG. 3 - MIRROR/BULB HOLDER AND CONTROLS
 FIG. 4 - AIR CHAMBER - AIR CHAMBER WITH ANODE COOLING SYSTEM
 FIG. 5 - ANODE SUPPORT
 FIG. 6 - BULB ADAPTORS
 FIG. 7 - DX/4 STARTER

- 00298 - Fastening knob
 00848 - Microswitch
 00862 - Hour meter
 01129 - 0-100A ammeter
 01130 - 50-150A ammeter
 01163 - 50-200A ammeter
 X65H-3050 - Mount with heat filter glasses
 X65H-3052 - Heat filter mount
 X65H-3054 - Knob
 X65H-3055 - Heat filter
 X65H-3132 - Mirror mounting spacer
 X25V-4050 - Bottom rail
 X25V-4056 - Meters panel
 X25V-4072 - Beam spreader slot cover
 X25V-4079 - Cone (projector type to be advised)
 DX2 -3385 - Starter push button
 18 -6230 - Insulating plate

The zeros (00) in front of numbers mean the piece is standard.

WHEN ORDERING SPARES, PLEASE ALWAYS QUOTE THE SERIAL NUMBER OF THE PROJECTOR.



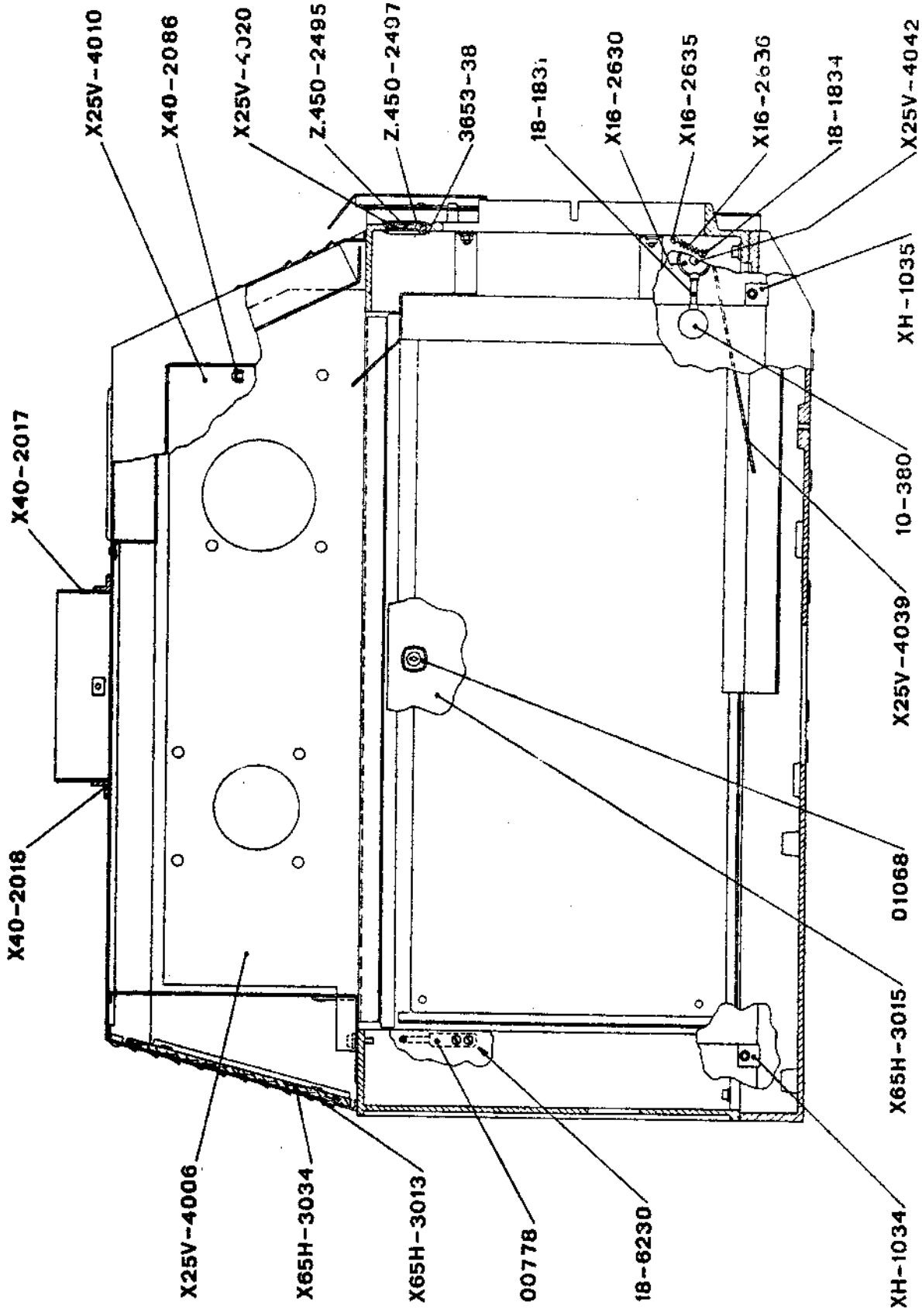


FIG. 1

ZENITH X 6500 HFIG. 1 - LAMPHOUSE

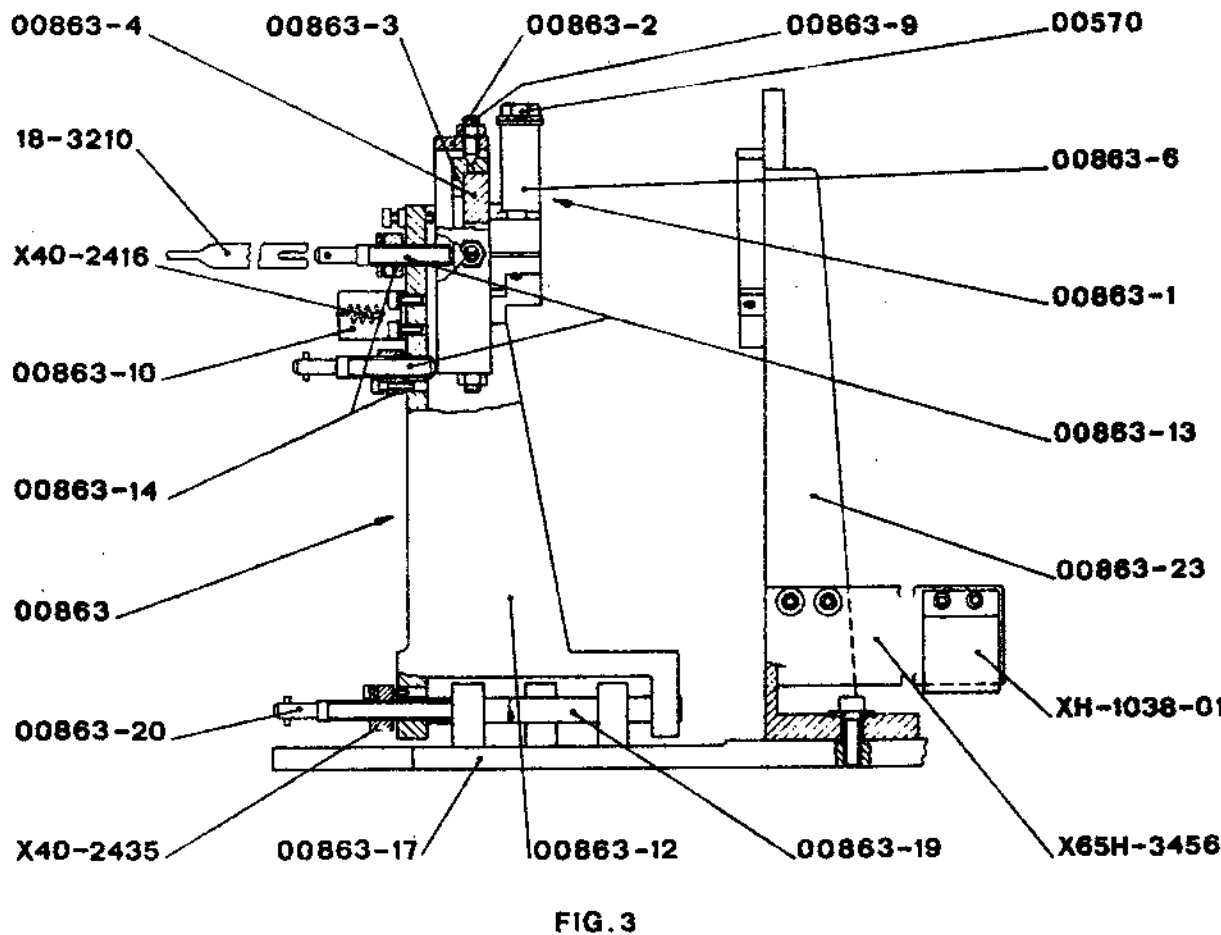
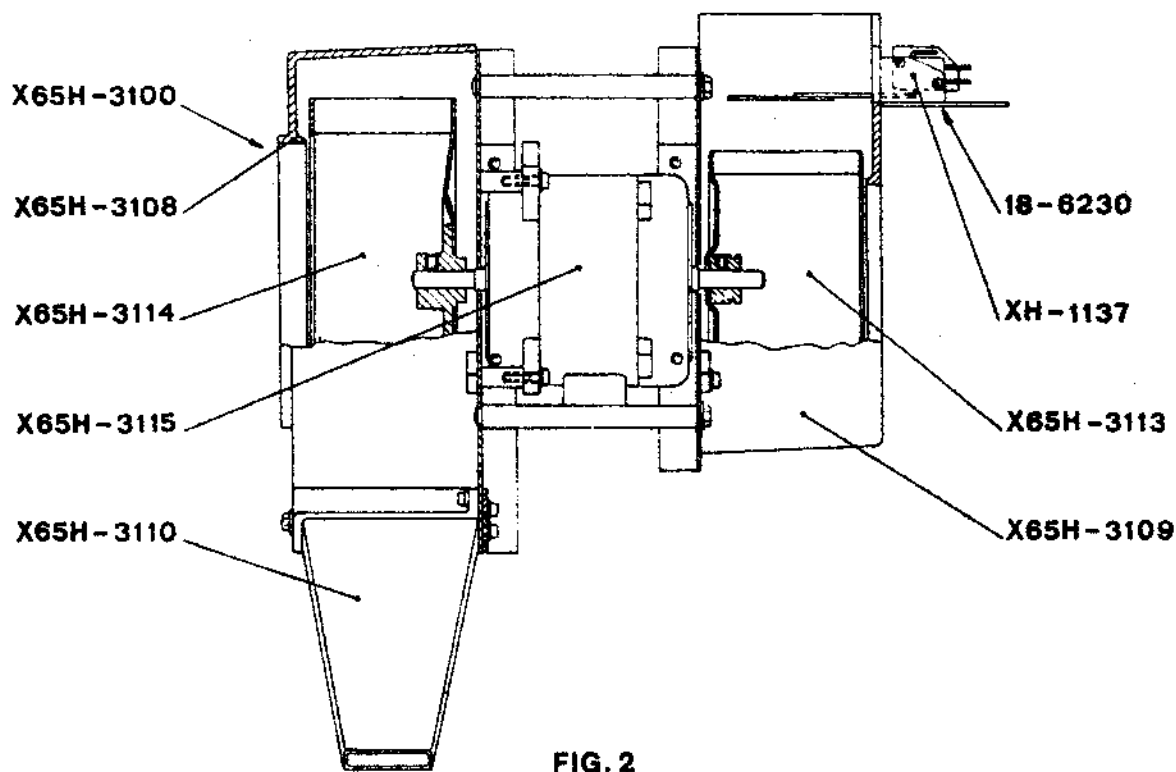
00778	-	Microswitch
01068	-	Lock
X65H-3013	-	Air intake plate
X65H-3015	-	Door complete with key lock
X65H-3034	-	Air filter
X25V-4006	-	Starter mounting plate
X25V-4010	-	Starter door
X25V-4020	-	Sight glass frame
X25V-4039	-	Dowser
X25V-4042	-	Dowser spindle
X40-2017	-	Exhaust duct
X40-2018	-	Exhaust duct clamp ring
X40-2086	-	Starter door screw with ring
X16-2630	-	Hub
X16-2635	-	Dowser spring screw
X16-2636	-	Spring
XH-1034	-	Left hinge block
XH-1035	-	Right hinge block
18-1831	-	Knob handle
18-1834	-	Dowser spring screw
18-6230	-	Insulating plate
Z. 450-2495	-	Sight glass
Z. 450-2497	-	Sight glass spring
10-380	-	Knob
3653-38	-	Circlip - 38mm dia.

ZENITH X 6500 HFIG. 2 - AIR FLOW SYSTEM

X65H-3100	-	Complete air flow system
X65H-3108	-	Back impeller housing
X65H-3109	-	Front impeller housing
X65H-3110	-	Blowing duct
X65H-3113	-	Front impeller
X65H-3114	-	Back impeller
X65H-3115	-	Three phase motor
XH-1137	-	Microswitch with dowser
18-6230	-	Insulating plate

FIG. 3 - MIRROR/BULB HOLDER AND CONTROLS

00570	-	Clamp screw
00863	-	Mirror/bulb holder and controls
00863-1	-	Adjustable bulb holder
00863-2	-	Outside bulb holder (machined casting)
00863-3	-	Inside bulb holder (machined casting)
00863-4	-	Clamp holder disc
00863-6	-	Bulb clamp
00863-9	-	Point screw
00863-10	-	Spring fastening bracket
00863-12	-	Bulb holder support bracket (machined casting)
00863-13	-	Vertical and horizontal adjustment screw
00863-14	-	V. & H. adjustment screws clutch
00863-17	-	Base plate (machined casting)
00863-19	-	Carriage guide rod
00863-20	-	Carriage focusing screw
00863-23	-	Mirror holder (machined casting)
XH-1038-01	-	Band
X40-2416	-	Spring
X40-2435	-	Focusing screw clutch
X65H-3456	-	Pipe fixing plate
18-3210	-	Adjustment rod



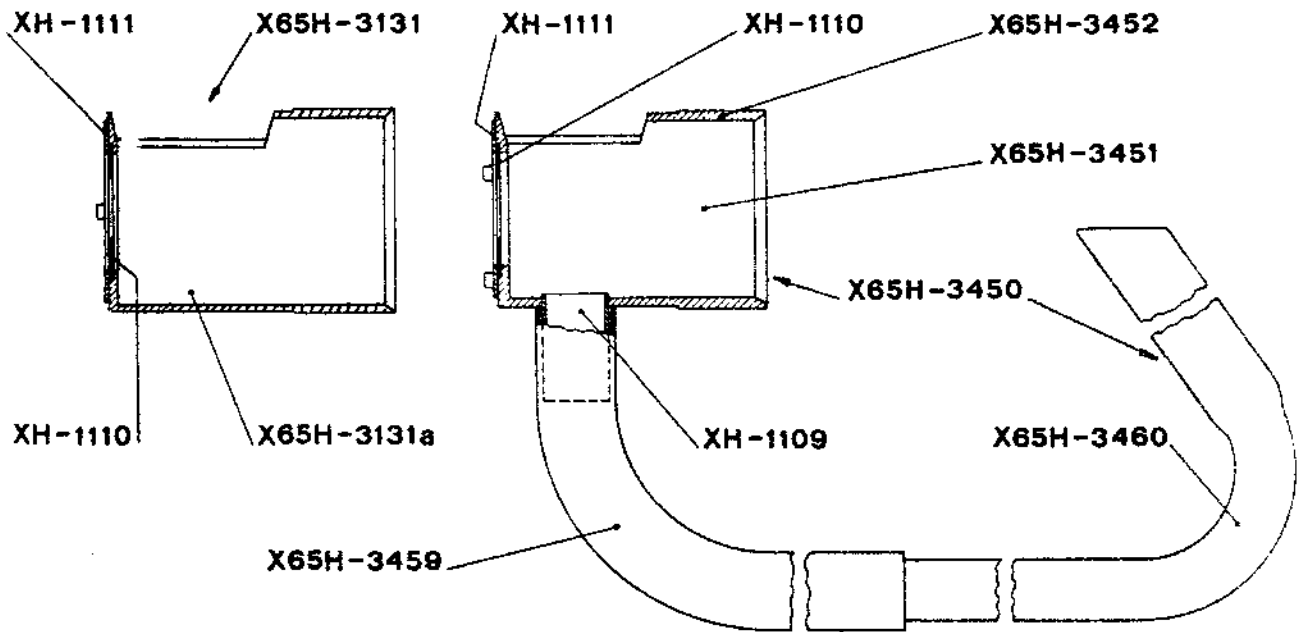


FIG. 4

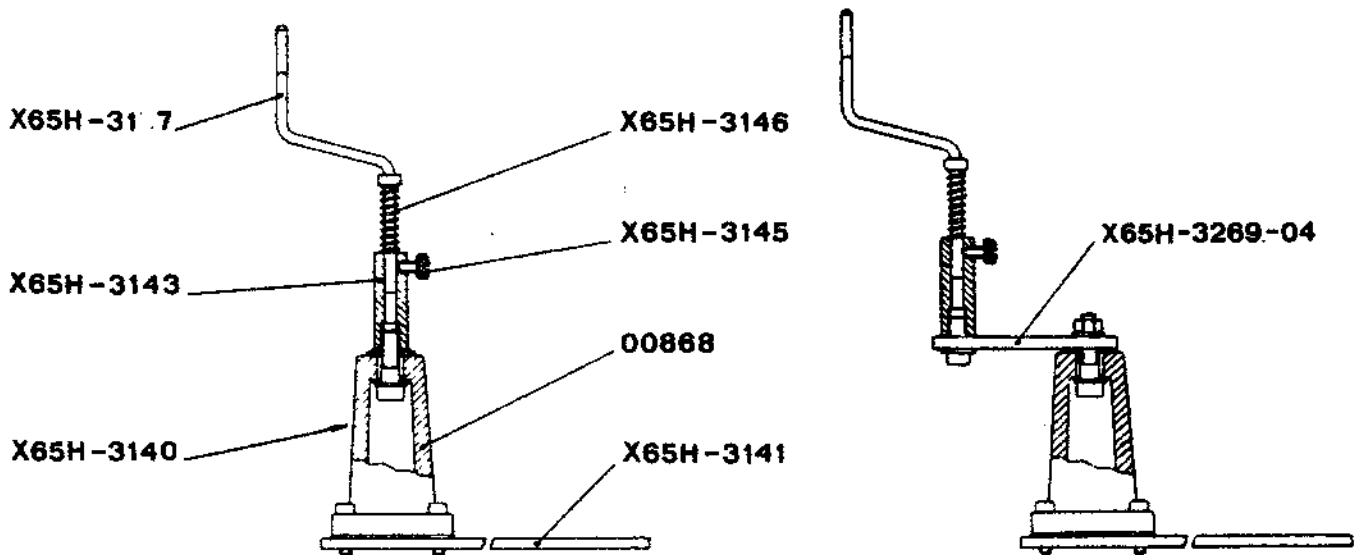


FIG. 5

ZENITH X 6500 H

FIG. 4 - AIR CHAMBER - AIR CHAMBER WITH ANODE
COOLING SYSTEM

X65H-3131	- Complete air chamber
X65H-3131a	- Air chamber (machined casting)
X65H-3450	- Air chamber with anode cooling system
X65H-3451	- Air chamber with outlet pipe
X65H-3452	- Air chamber for anode cooling system (machined casting)
X65H-3459	- Plastic pipe
X65H-3460	- Pyrex pipe
XH-1109	- Outlet pipe
XH-1110	- Air seal disc
XH-1111	- Disc locking ring

FIG. 5 - ANODE SUPPORT

00868	- Insulating post
X65H-3140	- Complete anode support
X65H-3141	- Plate
X65H-3143	- Fork sleeve
X65H-3145	- Knurled screw
X65H-3146	- Spring
X65H-3147	- Support fork
X65H-3259-04	- Fork plate for 2500W bulb

ZENITH X 6500 HFIG. 6 - BULB ADAPTOES

X65H-3212	- 4000W bulb adaptor
X65H-3243	- 3000W-3600W Ushio bulb adaptor
X65H-3261	- 2500W bulb adaptor
X65H-3272	- 2003W bulb adaptor
X65H-3282	- 1600W bulb adaptor
X65H-3302	- 3000W Osram bulb adaptor

FIG. 7 - DX/4 STARTER

00163	- Ground terminal
00570	- Shunt screw
00572	- Ground screw washer
01062	- Rubber sleeve
01149	- Rubber sleeve
DX4-3202	- Complete starter
DX4-3221	- Blank starter plate
DX4-3260	- Complete coil
DX4-3262	- Coil retaining sleeve
DX4-3330	- Capacitor - 1000 μ F - 20KV
DX4-3332	- Capacitor - 0.1 μ F - 1000V1
DX4-3336a	- Board with capacitors
DX4-3344	- 10-terminal board
DX4-3396	- Cable screw
DX3-3263	- Sleeve
DX3-3264	- Washer
DX3-3303	- Complete spark gap
DX3-3350	- Complete transformer
DX-2534	- Negative cable
XH-1156	- Positive cable for 1600W bulb
XH-1190	- Auto start unit for starter (optional)
XH-1192	- Auto start relay
XH-1202	- Positive cable for 2000W bulb
X90-3336	- Blank capacitor board
X65H-3214	- Positive cable
X65H-3246	- Positive cable for 3000W and 3600W bulbs
X40-2855d	- 150A shunt
X40-2855e	- 200A shunt

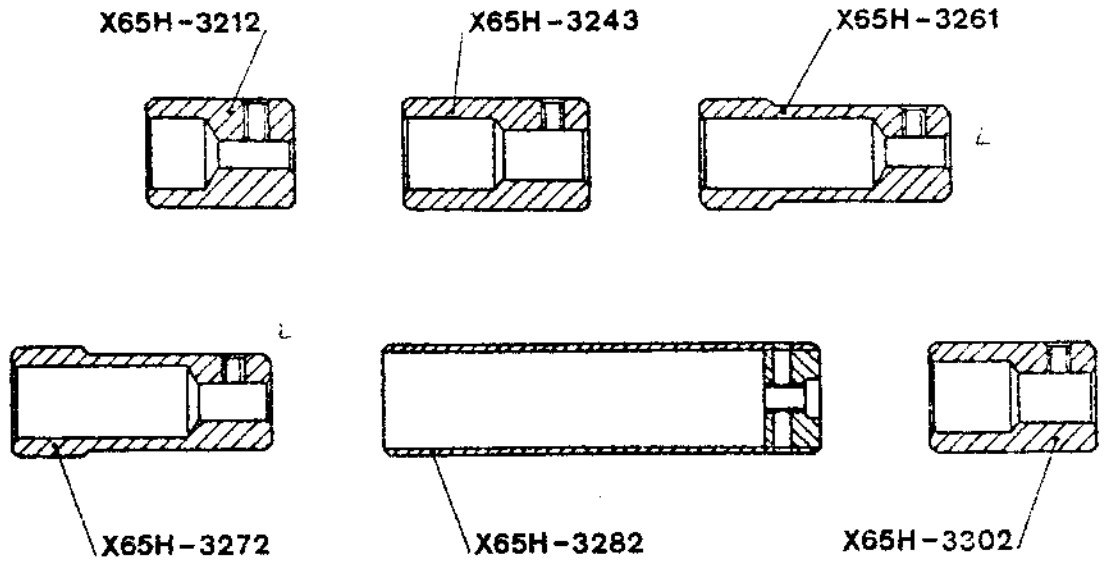


FIG. 6

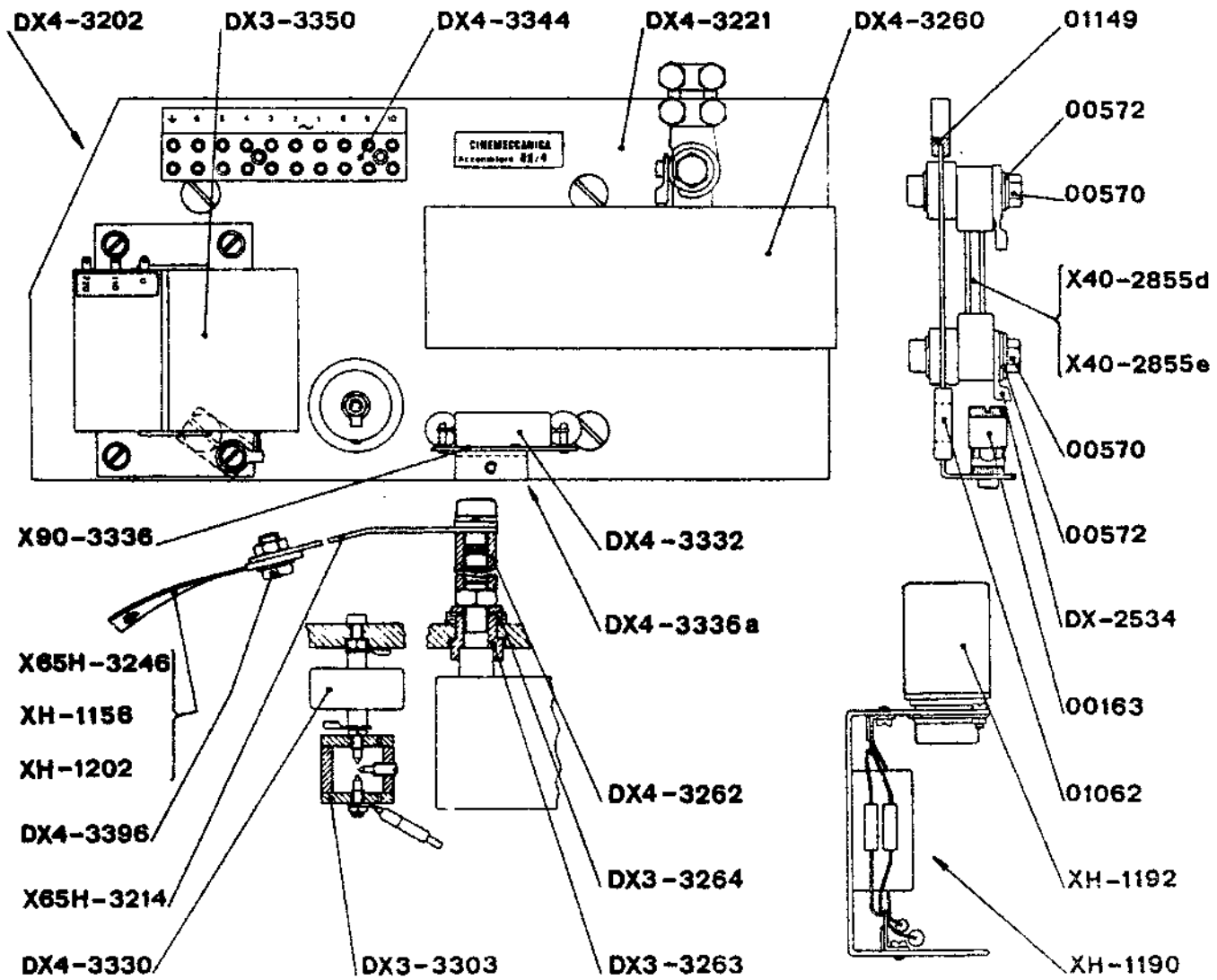


FIG. 7

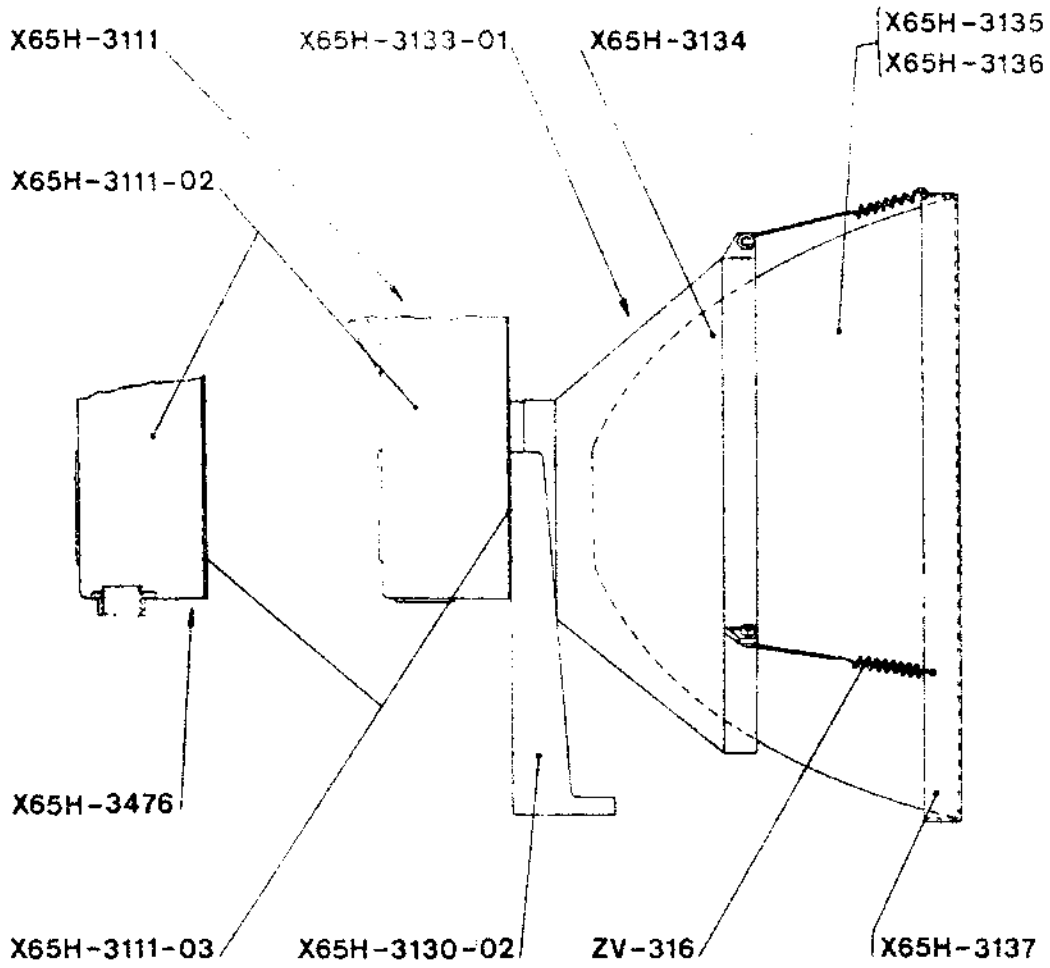


FIG. 8

H

a

1110

FIG.8 - VARIANTE PORTA SPECCHIO E RAFFREDDAMENTO DAL N° 65198

X65H-3111	- Convogliatore d'aria completo
X65H-3133-01	- Porta specchio completo
X65H-3476	- Convogliatore d'aria con raffreddamento completo
X65H-3111-02	- Convogliatore (fus. lav.)
X65H-3111-03	- Chiusura convogliatore
X65H-3130-02	- apporto specchio (fus. lav.)
X65H-3134	- Tazza porta specchio (fus. lav.)
X65H-3135	- Specchio caldo
X65H-3136	- Specchio freddo
X65H-3137	- Anello tenuta specchio
ZV-316	- Molla attacco anello

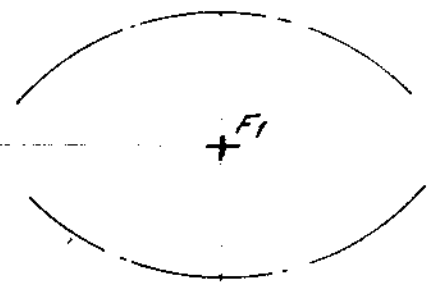
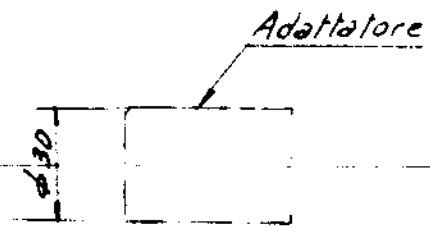
FIG.8 - VARIANTE PORTE-MIROIR ET REFROIDISSEMENT DU No.65198

X65H-3111	- Dispositif de ventilation complet
X65H-3133-01	- Porte-miroir complet
X65H-3476	- Conduit d'air avec refroidissement complet
X65H-3111-02	- Buse de ventilation (fonderie seule)
X65H-3111-03	- Fermeture du conduit
X65H-3130-02	- Support du miroir (fonderie seule)
X65H-3134	- Tasse porte-miroir (fonderie seule)
X65H-3135	- Miroir chaud
X65H-3136	- Miroir froid
X65H-3137	- Rondelle de fixation du miroir
ZV-316	- Ressort de fixation rondelle

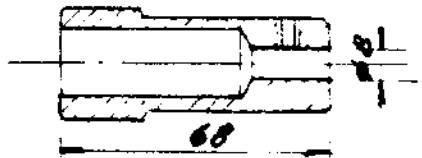
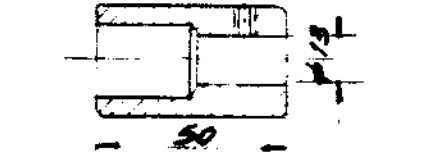
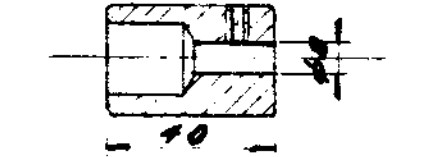
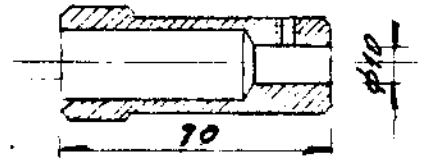
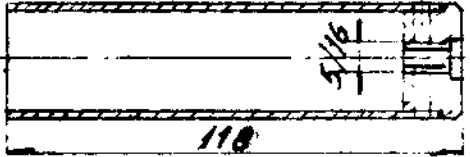
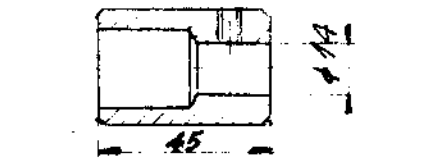
FIG.8 - MODIFICATION OF MIRROR HOLDER AND ANODE COOLING FROM N.65198

X65H-3111	- Air duct assembly
X65H-3133-01	- Mirror holder assembly
X65H-3476	- Air duct with anode cooling system
X65H-3111-02	- Air duct (machined casting)
X65H-3111-03	- Air duct fastener
X65H-3130-02	- Mirror holder bracket (machined casting)
X65H-3134	- Mirror holder cup (machined casting)
X65H-3135	- Hot light mirror
X65H-3136	- Cold light mirror
X65H-3137	- Mirror seal ring
ZV-316	- Ring mounting spring

Data 20-7-74
 Modifiche



215

Schizzo	N° Disegno	Tipo ampolla
	X65H-3261	Ampolla XBO 2500 W/hsc (OSRAM) Ampolla KXO 2500 HSF-7D Ampolla UXL 2500 25 SC (USHIO)
	X65H-3243	Ampolla ZXL3000HK-0 (USHIO EL. INC) Ampolla ZXL3601HK-0 (USHIO EL. INC)
	X65H-3212	Ampolla XBO 4000 W/hs (OSRAM) Ampolla KXO 4000 HSF-7D
	X65H-3272	Ampolla ZXL2003 HK-0 (USHIO EL. INC.)
	X65H-3282	Ampolla XBO 1600 W/hs (OSRAM)
	X65H-3302	Ampolla XBC 3000W/hs (OSRAM)