

Film-Tech

The information contained in this Adobe Acrobat pdf file is provided at your own risk and good judgment.

These manuals are designed to facilitate the exchange of information related to cinema projection and film handling, with no warranties nor obligations from the authors, for qualified field service engineers.

If you are not a qualified technician, please make no adjustments to anything you may read about in these Adobe manual downloads

www.film-tech.com

Listino

Z E N I T H X 3 0 0 0 H

Pezzi di ricambio
Pièces de rechange
Spare parts catalogue

Z E N I T H X 3 0 0 0 H

- FIG. 1 - LANTERNA
- FIG. 2 - PANNELLO STRUMENTI
- FIG. 3 - DISPOSITIVO AMPOLLA ORIZZONTALE
- FIG. 4 - CONVOGLIATORE D'ARIA
- FIG. 5 - SOFFIATORE
- FIG. 6 - ACCENDITORE DX/5

- FIG. 1 - LANTERNE
- FIG. 2 - PANNEAU
- FIG. 3 - DISPOSITIF LAMPE HORIZONTALE
- FIG. 4 - CONDUIT D'AIR
- FIG. 5 - SOUFFLERIE
- FIG. 6 - DISPOSITIF D'AMORCAGE DX/5

- FIG. 1 - LAMPHOUSE
- FIG. 2 - METERS PANEL
- FIG. 3 - MIRROR/BULB HOLDER AND CONTROLS
- FIG. 4 - AIR DUCT
- FIG. 5 - BLOWER
- FIG. 6 - DX/5 STRIKING UNIT

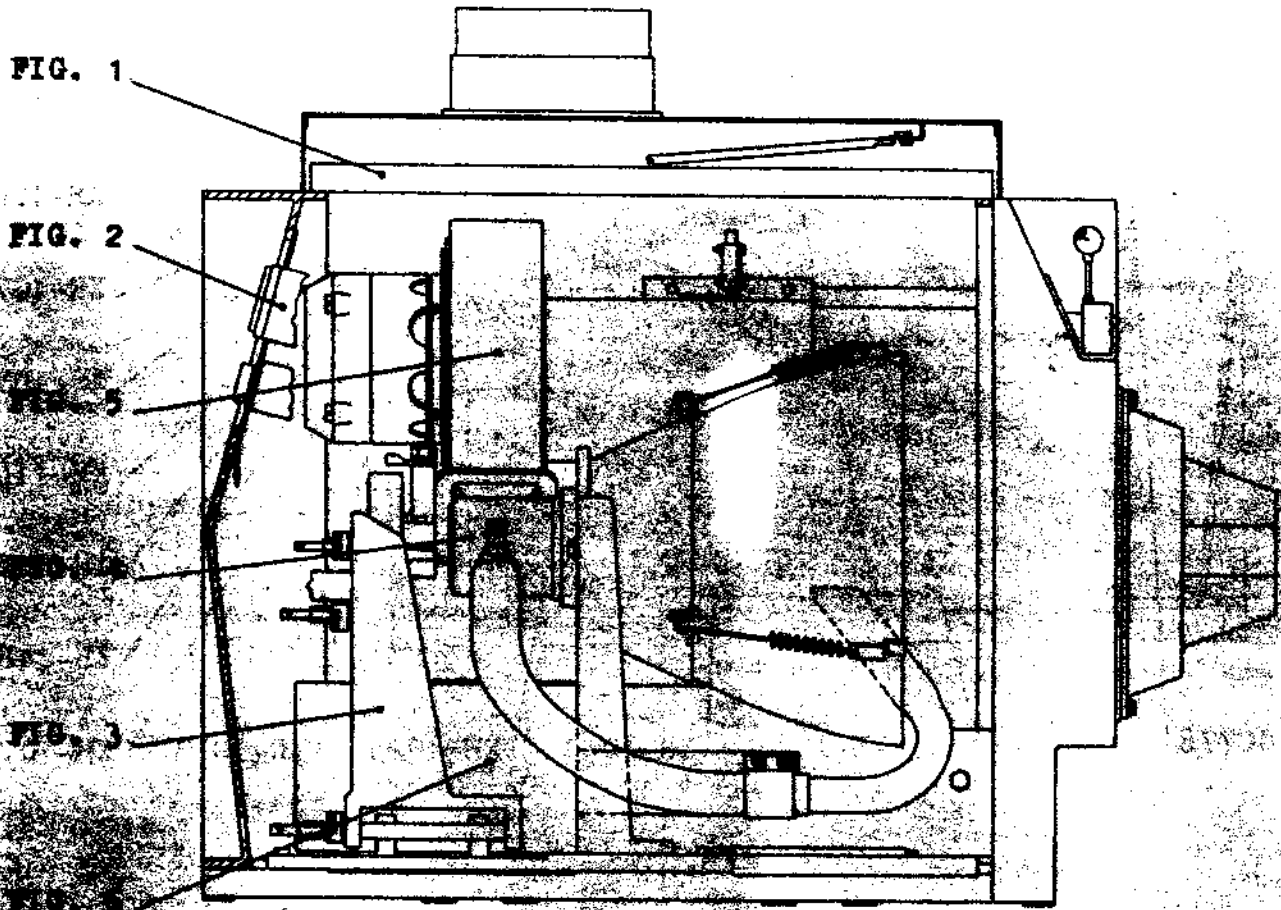
Gli zeri (00) davanti ai numeri hanno valore di contrassegno.
Les zéros (00) devant les numéros ont une valeur de contremarque.
The zeros (00) in front of numbers mean the piece is standard.

NELLE RICHIESTE INDICARE SEMPRE IL NUMERO DELL'APPARECCHIO

SUR LES COMMANDES INDIQUER TOUJOURS LE NUMERO DE L'APPAREIL

PLEASE ALWAYS, WHEN ORDERING SPARES, QUOTE THE SERIAL NUMBER
OF THE PROJECTOR

ZENITH X 3000 H



ZENITH X 3000 H

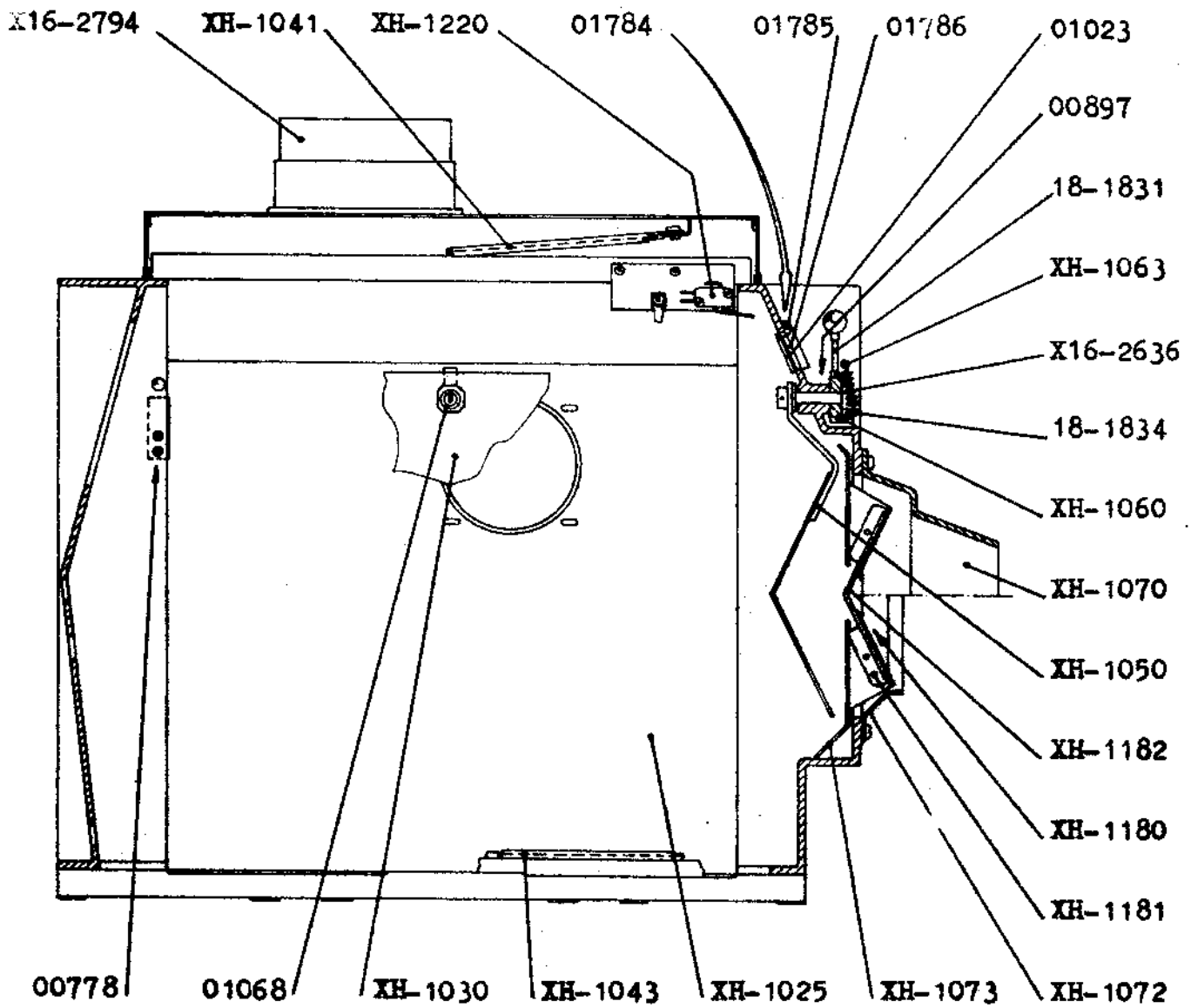


FIG. 1

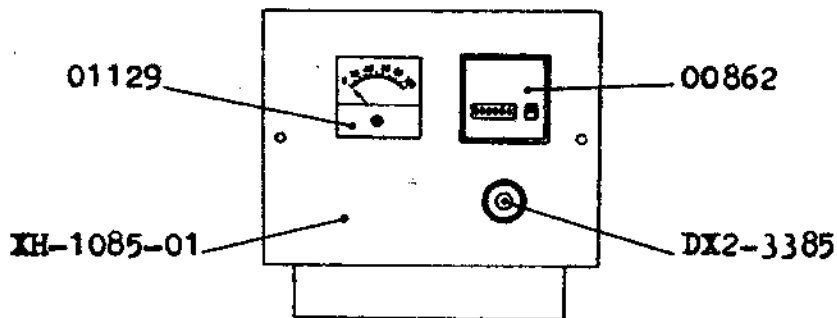


FIG. 2

ZENITH X 3000 HFIG. 1 - LAMPHOUSE

| | |
|----------|---|
| 00778 | - Microswitch |
| 00897 | - Needle bearing bush |
| 01023 | - Spacing ring 32mm dia |
| 01068 | - Lock |
| 01784 | - Complete sight window |
| 01785 | - Sight frame |
| 01786 | - Sight glass |
| 18-1831 | - Knob spindle |
| 18-1834 | - Dowser spring screw |
| X16-2636 | - Spring |
| X16-2794 | - Chimney |
| XH-1025 | - Exhaust side door |
| XH-1030 | - Complete door |
| XH-1041 | - Upper heat shield |
| XH-1043 | - Lower heat shield |
| XH-1050 | - Dowser complete with spindle |
| XH-1060 | - Hub |
| XH-1063 | - Spring screw |
| XH-1070 | - Cone for V.5 - V.8 - W/E |
| XH-1072 | - Cone for V.8 |
| XH-1073 | - Heat filter frame |
| XH-1180 | - Complete heat filter |
| XH-1181 | - Heat filter holder |
| XH-1182 | - Heat filter (glass) |
| XH-1220 | - Mascarini microswitch for automatic start |

FIG. 2 - METERS PANEL

| | |
|------------|-------------------------|
| 00862 | - Hour meter |
| 01129 | - Ammeter with gasket |
| DX2-3385 | - Starter push button |
| XH-1085-01 | - Complete meters panel |

ZENITH X 3000 HFIG. 3 - MIRROR/BULB HOLDER AND CONTROLS

| | |
|------------|--|
| 00570 | - Clamp screw |
| 00863 | - Mirror/bulb holder and controls |
| 00863/1 | - Adjustable bulb holder |
| 00863/2 | - Outside bulb holder (machined casting) |
| 00863/3 | - Inside bulb holder (machined casting) |
| 00863/4 | - Clamp holder disc |
| 00863/6 | - Bulb clamp |
| 00863/9 | - Point screw |
| 00863/10 | - Spring fastening bracket |
| 00863/12 | - Bulb holder support bracket (machined casting) |
| 00863/13 | - Vertical and horizontal adjustment screw |
| 00863/14 | - V. & H. adjustment screws clutch |
| 00863/17 | - Base plate (machined casting) |
| 00863/19 | - Carriage guide rod |
| 00863/20 | - Carriage focusing screw |
| 00863/23 | - Mirror holder (machined casting) |
| XH-1038 | - Pipe fixing plate |
| XH-1038-01 | - Band |
| X40-2416 | - Spring |
| X40-2435 | - Focusing screw clutch |
| 18-3210 | - Adjustment rod |

FIG. 4. - AIR DUCT

| | |
|------------|-------------------------------|
| XH-1038-03 | - Plastic pipe |
| XH-1038-04 | - Air pipe |
| XH-1107 | - Complete air duct |
| XH-1108 | - Air duct (machined casting) |
| XH-1109 | - Pipe joint |
| XH-1110 | - Air seal disc |
| XH-1111 | - Disc locking ring |
| XH-1173 | - Mirror holder cup only |
| XH-1173a | - Complete mirror holder cup |
| XH-1174 | - Mirror fastening bracket |
| XH-1175 | - Mirror fastening spring |

ZENITH X 3000 H

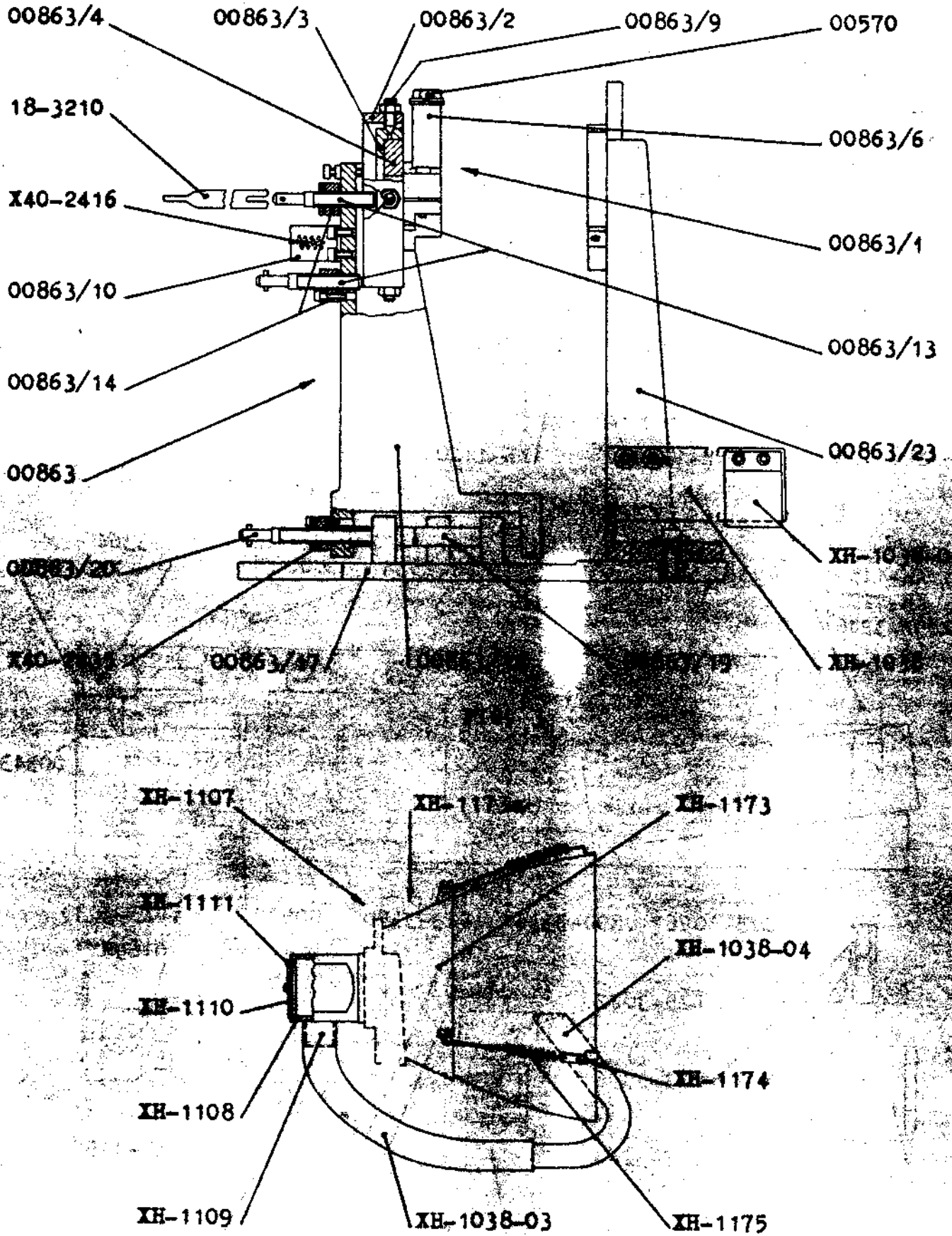


FIG. 4

ZENITH X 3000 H

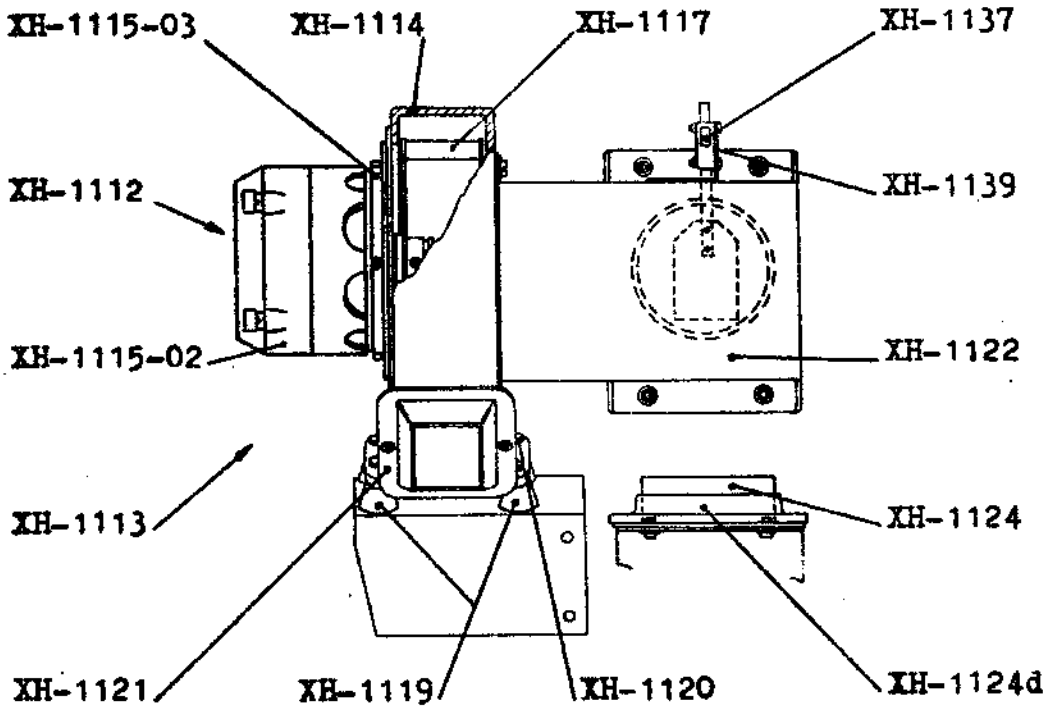


FIG. 5

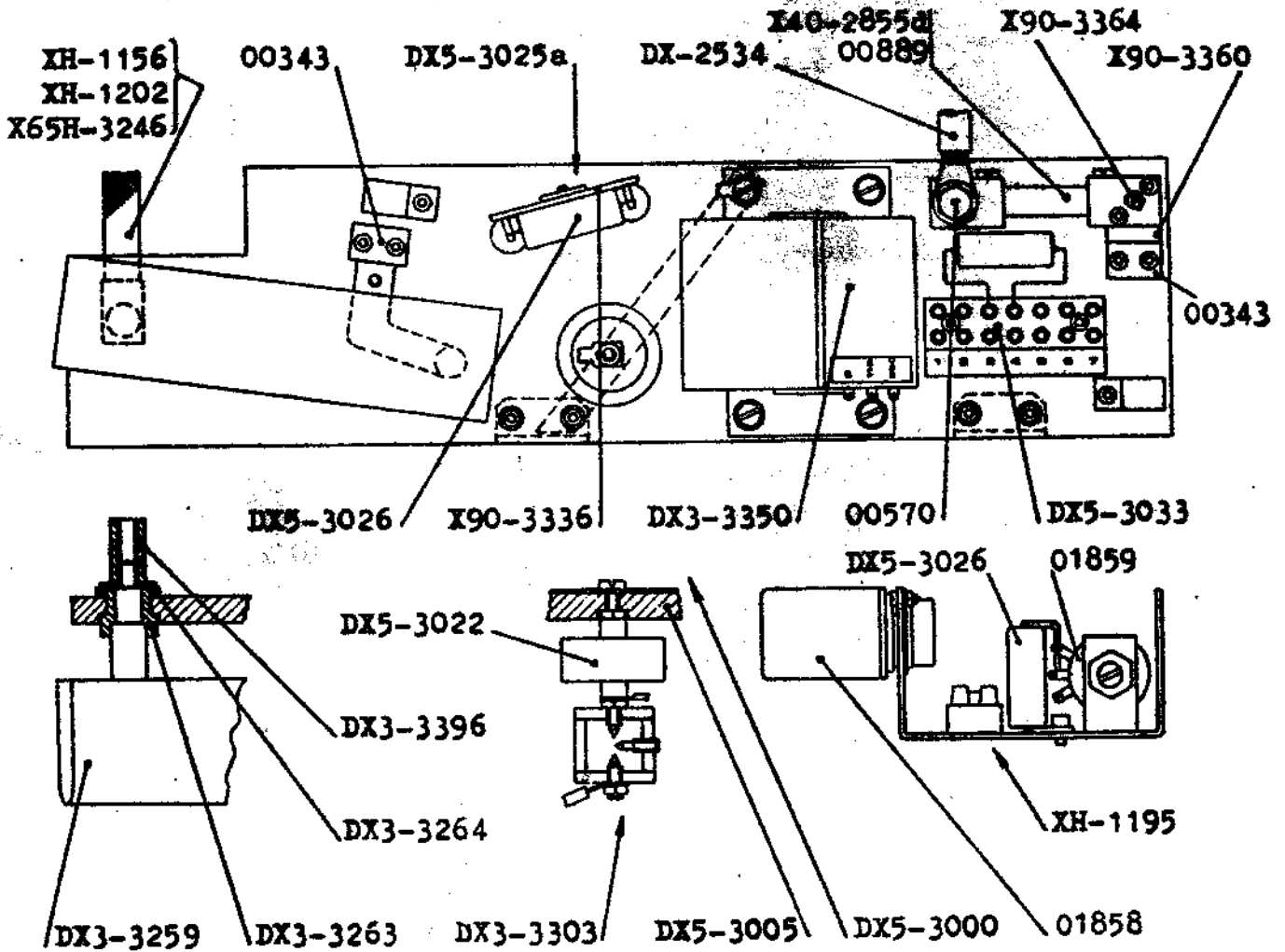


FIG. 6

ZENITH X 3000 HFIG. 5 - BLOWER

- XH-1112 - Blower with motor and exhaust duct
- XH-1113 - Blower with motor
- XH-1114 - Blower (machined casting only)
- XH-1115-02 - Single-phase motor (please specify voltage and Hz)
- XH-1115-03 - Motor flange
- XH-1117 - Blower fan
- XH-1119 - Shock absorbers
- XH-1120 - Special nut
- XH-1121 - Air duct
- XH-1122 - Complete exhaust duct
- XH-1124 - Intake duct flange
- XH-1124d - Rubber gasket
- XH-1137 - Microswitch with dowser
- XH-1139 - Microswitch bracket

FIG. 6 - DX/5 STRIKING UNIT

- 00543 - Cable clamp
- 00570 - Shunt screw
- 00579 - Ammeter shunt 0-150 A
- 01058 - Auto strike relay
- 01059 - Auto strike potentiometer
- DX-2534 - Negative lead
- DX3-3259 - Complete coil
- DX3-3263 - Bushing
- DX3-3264 - Lock washer
- DX3-3303 - Complete spark gap
- DX3-3350 - Complete transformer
- DX3-3355 - Coil retaining sleeve
- DX3-3360 - Complete striking unit
- DX3-3005 - Blank striking unit plate
- DX5-3022 - Condenser 1000 pF - 20 kV
- DX5-3025a - Board complete with condensers
- DX5-3026 - Condenser 0.1 μ F - 1000 V
- DX5-3033 - 7 - terminal board
- XH-1156 - Positive lead for 1600 W bulb
- XH-1195 - Auto strike for striking unit (optional)
- XH-1202 - Positive lead for 2000 W bulb
- X90-3336 - Blank plate for condensers
- X90-3360 - Complete clamp
- X90-3364 - Shunt fastening screw
- X40-2855d - Ammeter shunt 50-150 A
- X65H-3246 - Positive cable for 3000 W bulb

Disegnato
da Giuseppe
Controllato
da

Data 18-1-74

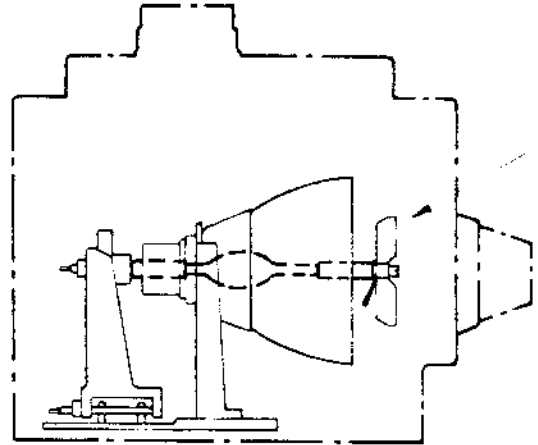
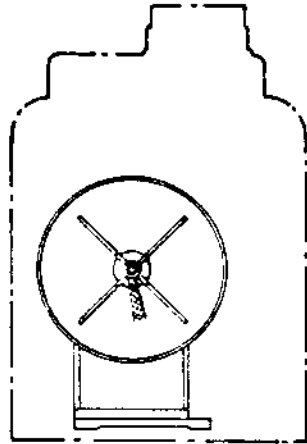
Modifiche



LANTERNA ZENITH X 3000 H

ZENITH X 3000 H LAMPHOUSE

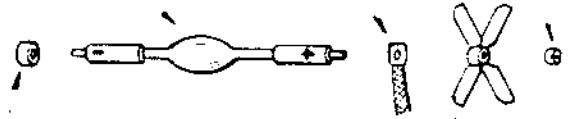
*Montaggio dissipatore su ampolla 2000 W -
Installation of anode cooler for 2000 W bulb -*



XH-1209

XH-1202

XH-1208



XH-1201

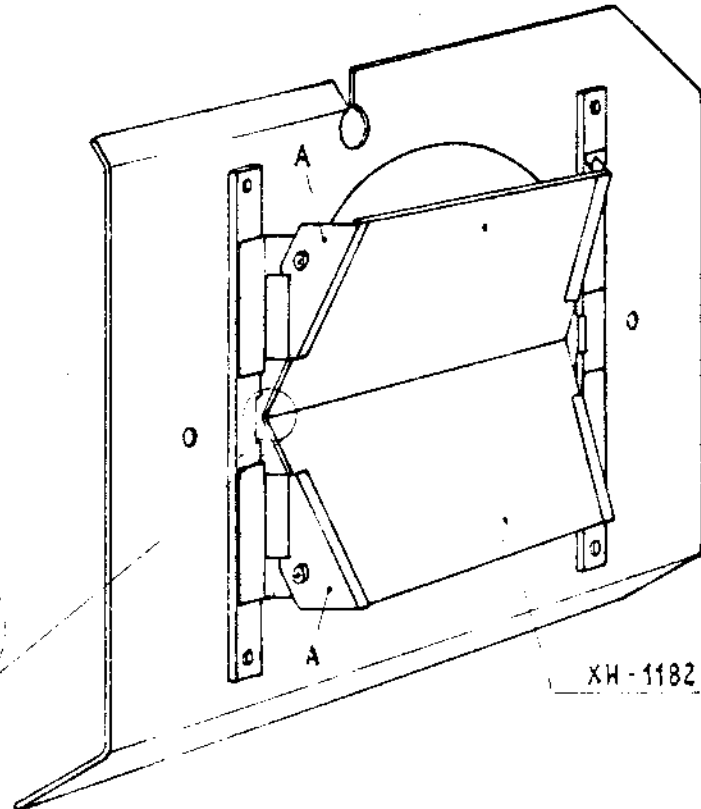
XH-1205

MONTAGGIO FILTRI CALORE

*Per cambio filtri smontare solo
le squadrette contrassegnate con
lettera "A". -*

*To replace filters take out
brackets "A". only -*

XH-1182



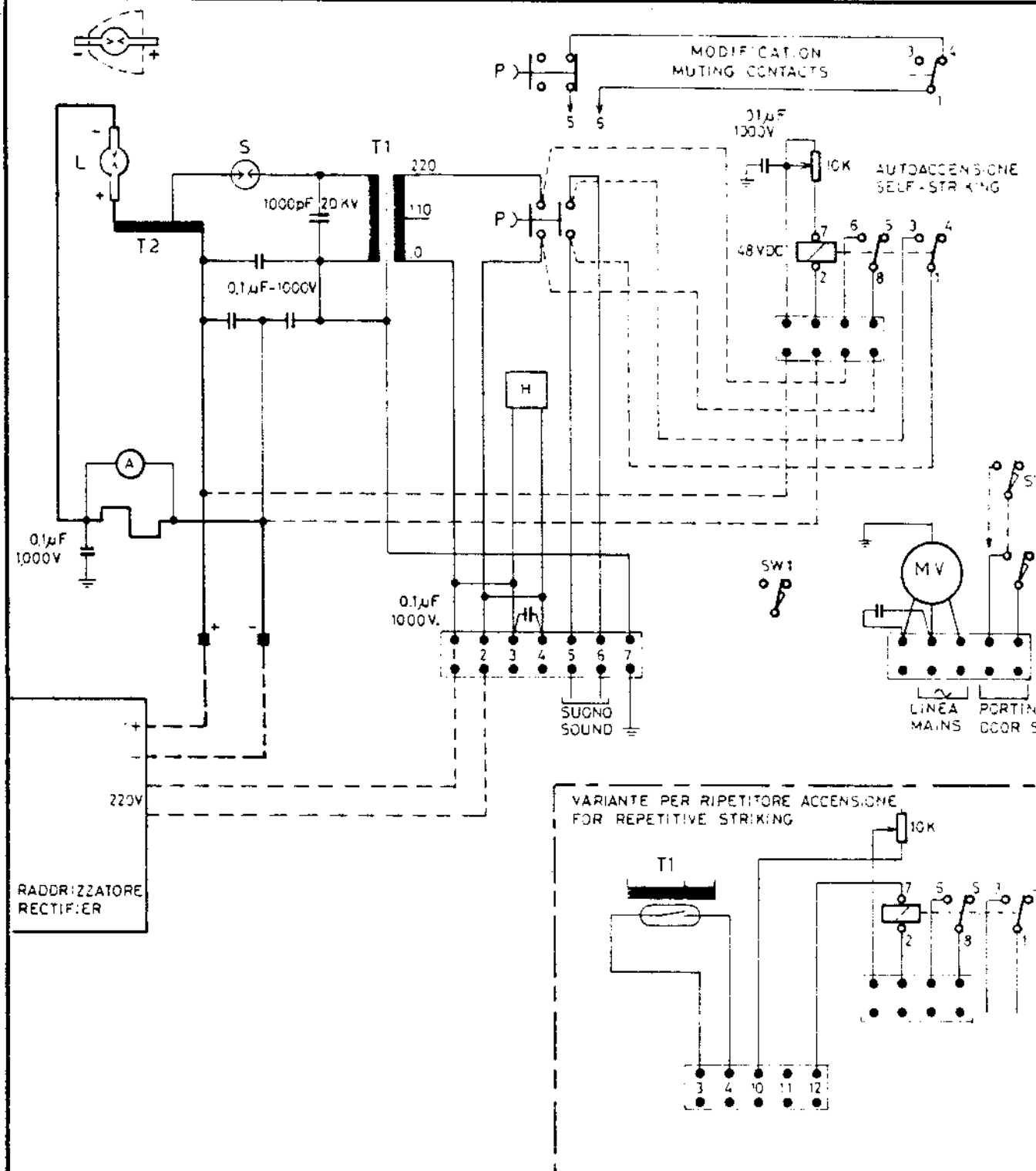
*Superficie trattata
coated side*

XH-1182

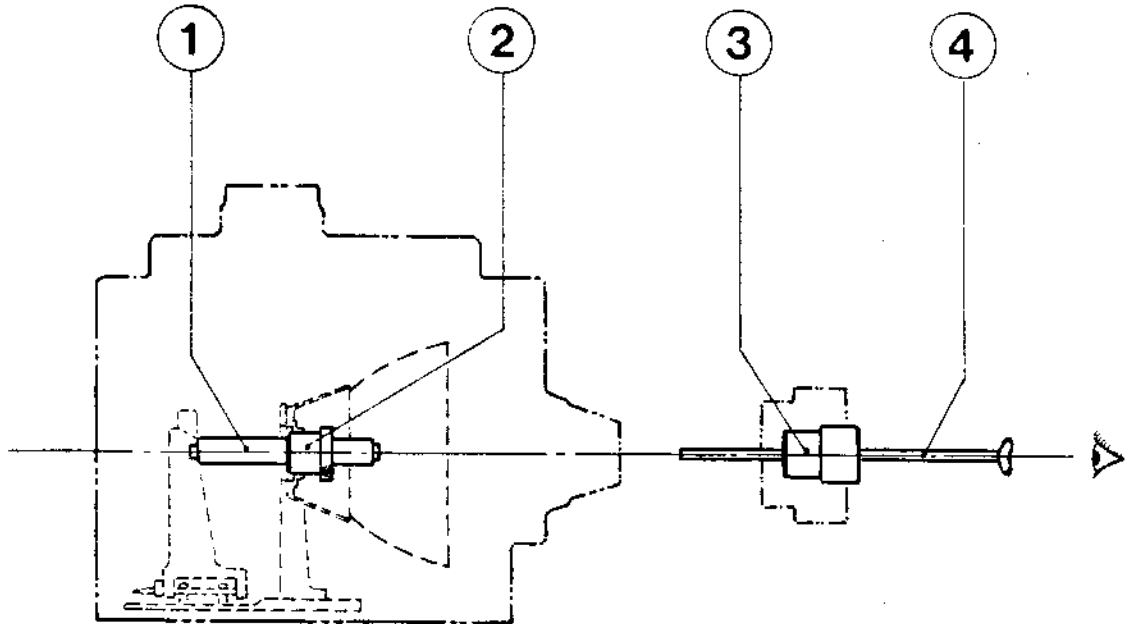


CX-1600
Accenditore DX 3
Striking unit DX 3

ZENITH X 3000 H
Accenditore DX 5
Striking unit DX 5



- | | | |
|-----|---|-------------------------------|
| SW3 | - | - Fan Motor SW (Zenith 3000H) |
| A | - | - Amperometro |
| H | - | - Contatore |
| P | - | - Pulsante accensione |
| S | - | - Scintillatore |
| T1 | - | - Trasformatore |
| T2 | - | - Trasformatore AT |
| L | - | - Ampolla |
| MV | - | - Ventilatore |
| SW1 | - | - Micro serranda |
| | | - Ammeter |
| | | - Hour meter |
| | | - Starting push button |
| | | - Spark gap |
| | | - Transformer |
| | | - HT Transformer |
| | | - Bulb |
| | | - Fan motor |
| | | - Bowser sw |



ALLINEAMENTO OTTICO

- I) Montare il traguardo (1) nel dispositivo porta ampolla
- II) Inserire la ghiera (2) nel centro della tazza
- III) Inserire l'adattatore (3) nel porta obbiettivo
- IV) Effettuare l'allineamento attraverso il cannocchiale (4) affinché i riferimenti risultino perfettamente coassiali.

OPTICAL ALIGNMENT

- I) Insert (1) dummy bulb into bulb clamp
- II) Push (2) ring into center of mirror holder
- III) Fit (3) dummy lens into lens holder
- IV) Then align the three crosses through (4) eye piece.

ALIGNEMENT OPTIQUE

- I) Monter le tube (1) sur le dispositif porte-lampe
- II) Pousser la bague (2) sur le centre du dispositif porte-miroir
- III) Mettre l'adaptateur (3) dans le porte-objectif
- IV) Effectuer l'alignement à travers la lorgnette (4) de façon que les trois références résultent alignées.

Disegno
da *un disegno*
Controllato
da



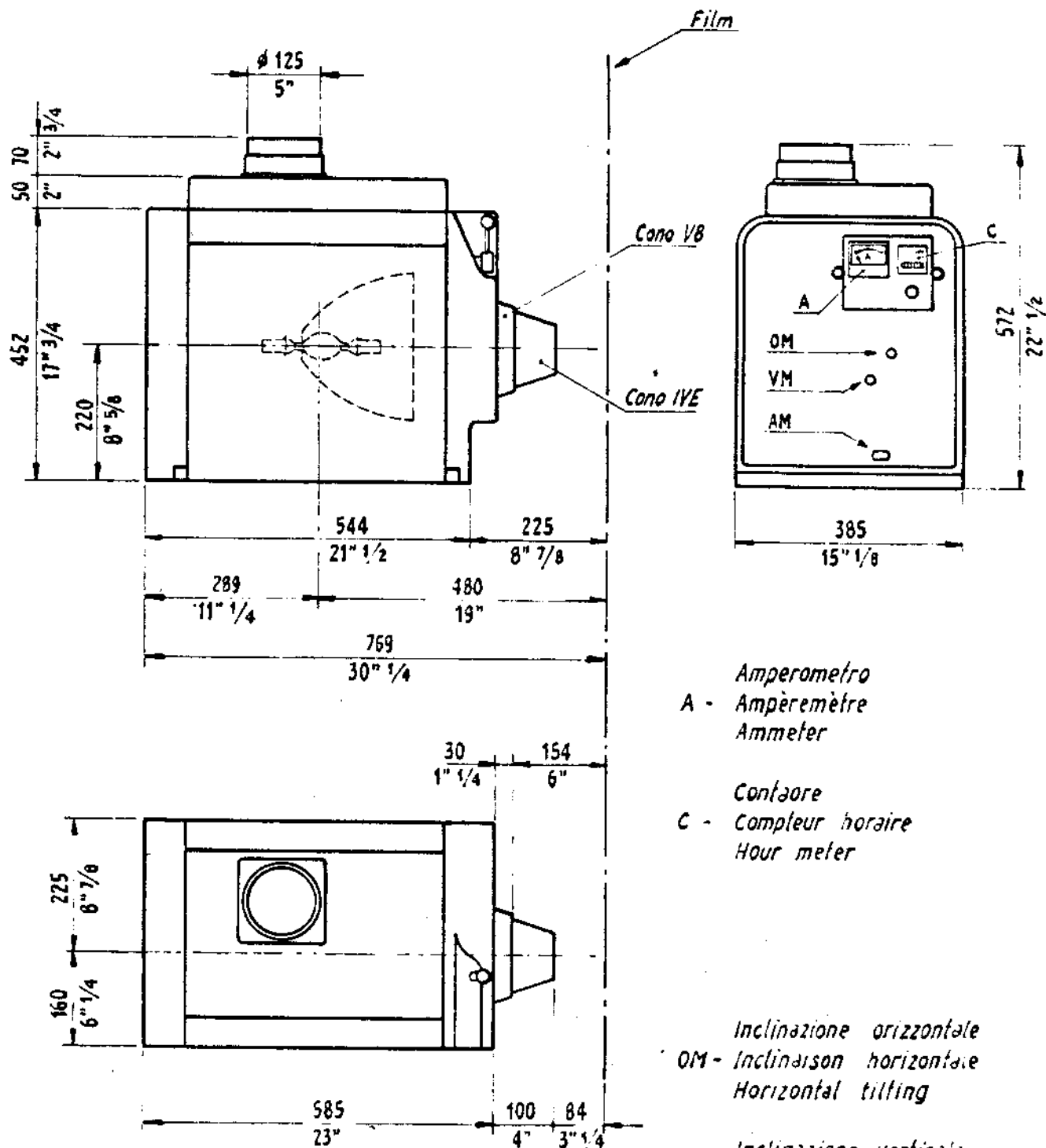
LANTERNA - X 3000 H

Misure d'ingombro - Overall dimensions

7256

Data 26/10/72

Modifiche
3) 280 en 228;
452 en 460;
572 en 580;
15-11-73 Ca.



Amperometro
A - Ampèremètre
Ammeter

Contaore
C - Compteur horaire
Hour meter

Inclinazione orizzontale
OM - Inclinaison horizontale
Horizontal tilting

Inclinazione verticale
VM - Inclinaison verticale
Vertical tilting

Spostamento orizzontale
AM - Déplacement horizontal
Horizontal displacement

Peso netto Kg 30 circa
Poids net Kg 30 environ
Weight 30 kgs about

Disegnato
da *S. S.*
Controllato
da



LANTERNA X 3000 H
X3000H LAMPHOUSE

7307

Montaggio ampolla - How to fit the bulb

Data 13-4-73

Modifiche

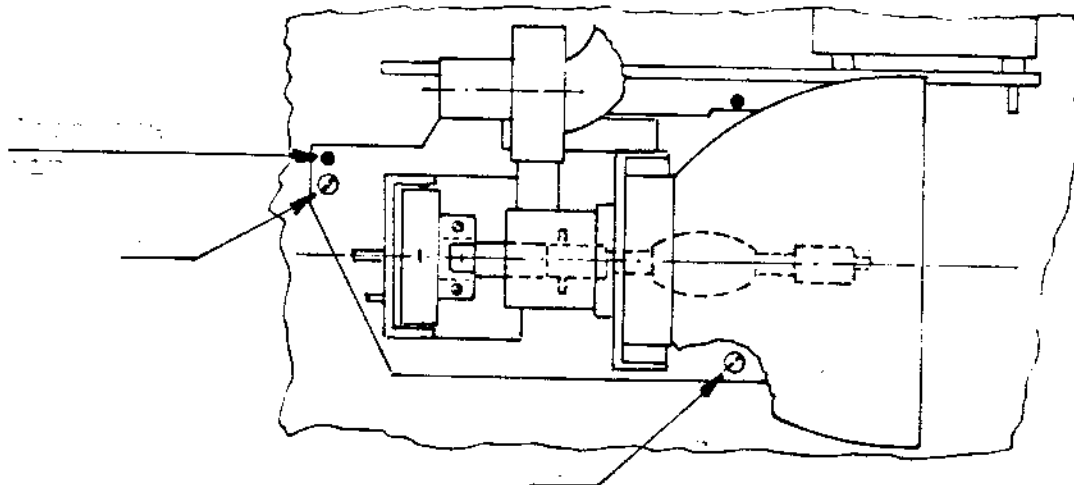


Fig. 1

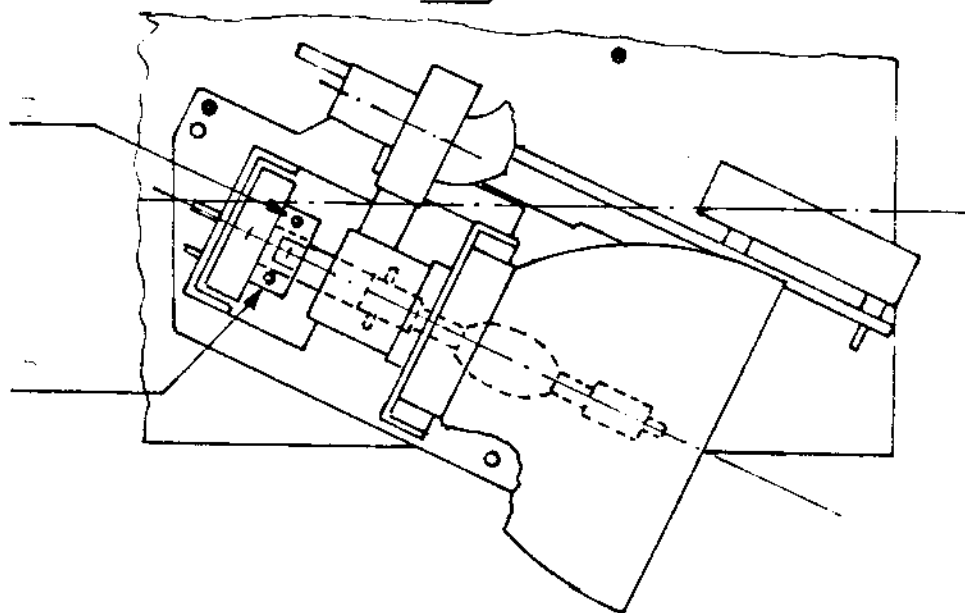


Fig. 2

Per montare l'ampolla occorre togliere le viti A (fig. 1). Ruotare il dispositivo verso l'esterno, inserire l'ampolla nel morsetto e bloccare le viti B (fig. 2) indi riportare il dispositivo nella posizione fig. 1.

To fit the bulb, remove screws A (fig. 1). Rotate the holder outside and insert the bulb into the clamp. Lock screws B (fig. 2) and reposition the holder as in fig. 1.

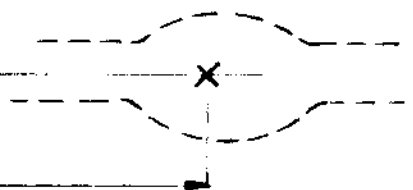
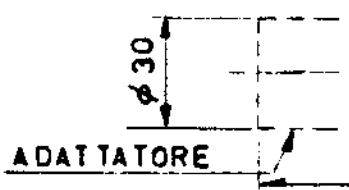
Controllato da



ADATTATORI AMPOLLA PER LANTERNA X 3000 H

7474

Data 29-4-88
Modifiche



| Schizzo | N° Disegno | Tipo ampolla |
|---------|------------|---|
| | XH-1166 | Ampolla XBO 1600 W/HSC) OSRAM e Ampolla XBO 700 W/HSC (USHIO Ampolla XBO 1000 W/HSC) corta |
| | XH-1201 | Ampolla ZXL 2003 HKL-0 (USHIO) |
| | XH-1262 | Ampolla CSX 2000 W-H (PHILIPS) |
| | XH-1282 | Ampolla ZXL 1000 HK-0 (USHIO) |
| | XH-1295 | Ampolla XBO 2500 W/hsc (OSRAM) Ampolla XBO 2500 HSP-7D (OSRAM) Ampolla XBO 2000 W/hsc (corta) (OSRAM) Ampolla XBO 3000 W/hsc OFR (OSRAM) |
| | XH-1361 | Ampolla UXL 3000 HKO (USHIO) |
| | XH-1309 | Ampolla XBO 1600 W/hs (OSRAM) con specchio freddo in vetro |
| | XH-1307 | Ampolla XBO 2500 W/hsc (OSRAM) con specchio freddo in vetro Ampolla UXL-25 SC (USHIO) con specchio in metallo |
| | XH-1312 | Ampolla ZXL 2003 HKL-0 (USHIO) con specchio freddo in vetro |
| | XH-1397 | Ampolla CL-2000W/H (TOSHIBA) Ampolla XBO-2000W/H (lungha) (OSRAM) |