

Film-Tech

The information contained in this Adobe Acrobat pdf file is provided at your own risk and good judgment.

These manuals are designed to facilitate the exchange of information related to cinema projection and film handling, with no warranties nor obligations from the authors, for qualified field service engineers.

If you are not a qualified technician, please make no adjustments to anything you may read about in these Adobe manual downloads

www.film-tech.com

Listino

Z E N I T H X 2 0 0 0 H

Pezzi di ricambio
Pièces de rechange
Spare parts catalogue

Z E N I T H X 2 0 0 0 H

- FIG. 1 - LANTERNA
- FIG. 2 - PANNELLO STRUMENTI
- FIG. 3 - DISPOSITIVO AMPOLLA ORIZZONTALE
- FIG. 4 - CONVOGLIATORE D'ARIA
- FIG. 5 - SOFFIATORE
- FIG. 6 - ACCENDITORE DX/5

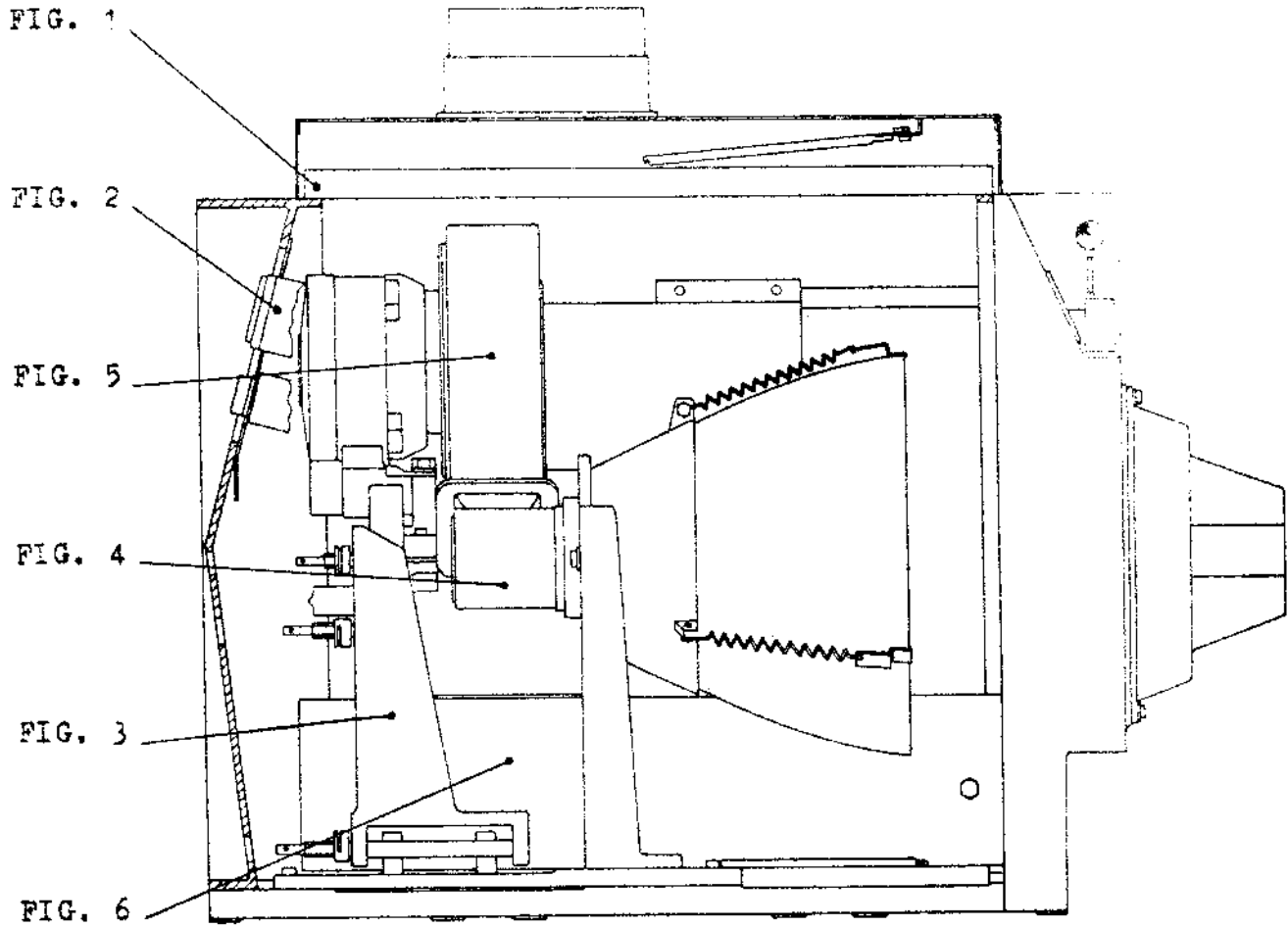
- FIG. 1 - LANTERNE
- FIG. 2 - PANNEAU
- FIG. 3 - DISPOSITIF LAMPE HORIZONTALE
- FIG. 4 - CONDUIT D'AIR
- FIG. 5 - SOUFFLERIE
- FIG. 6 - DISPOSITIF D'AMORCAGE DX/5

- FIG. 1 - LAMPHOUSE
- FIG. 2 - METERS PANEL
- FIG. 3 - MIRROR/BULB HOLDER AND CONTROLS
- FIG. 4 - AIR DUCT
- FIG. 5 - BLOWER
- FIG. 6 - DX/5 STRIKING UNIT

Gli zeri (00) davanti ai numeri hanno valore di contrassegno.
Les zéros (00) devant les numéros ont une valeur de contremarque.
The zeros (00) in front of numbers mean the piece is standard.

NELLE RICHIESTE INDICARE SEMPRE IL NUMERO DELL'APPARECCHIO
SUR LES COMMANDES INDIQUER TOUJOURS LE NUMERO DE L'APPAREIL
PLEASE ALWAYS, WHEN ORDERING SPARES, QUOTE THE SERIAL NUMBER
OF THE PROJECTOR

ZENITH 7 2000 H



ZENITH X 2000 H

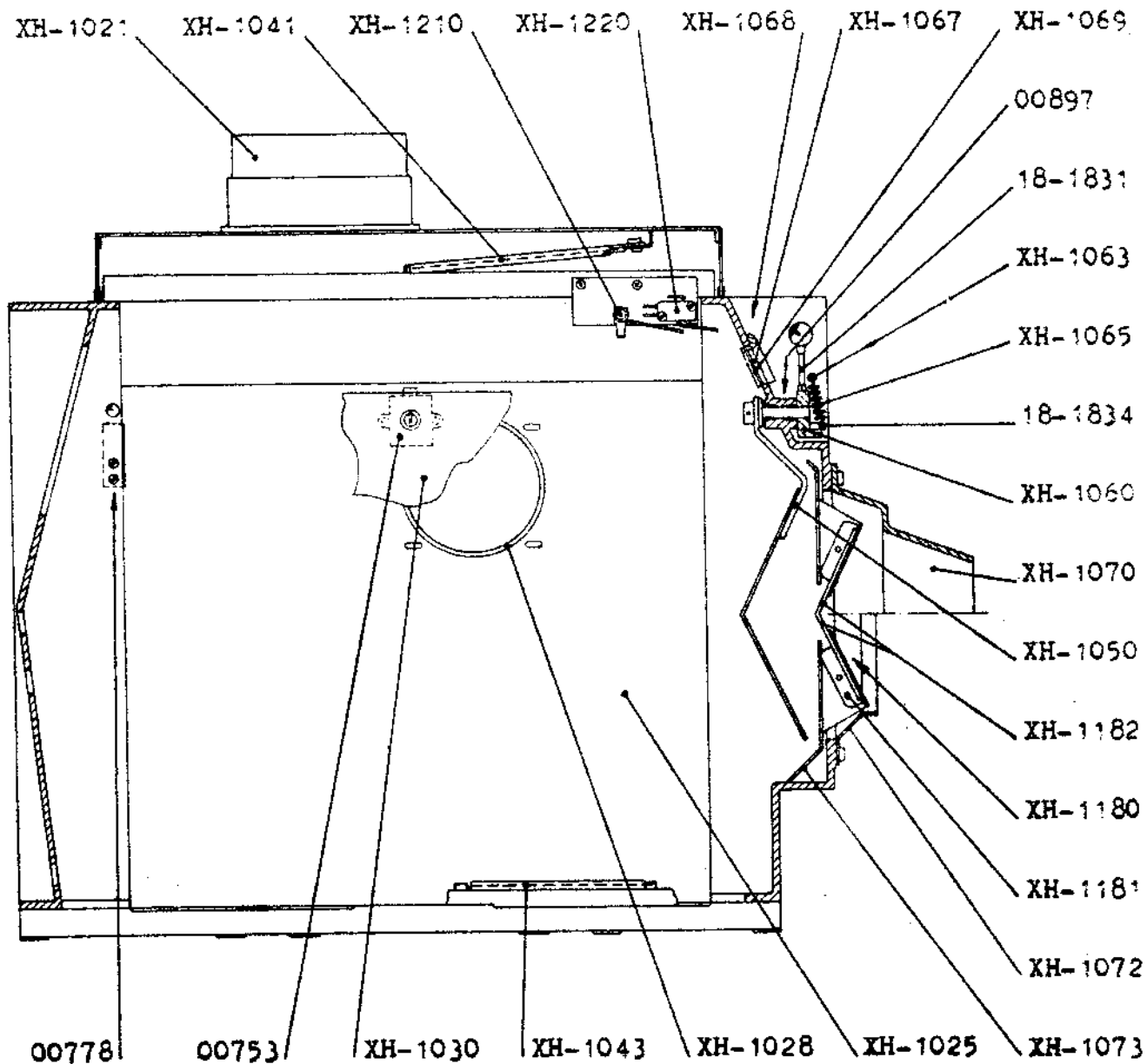


FIG. 1

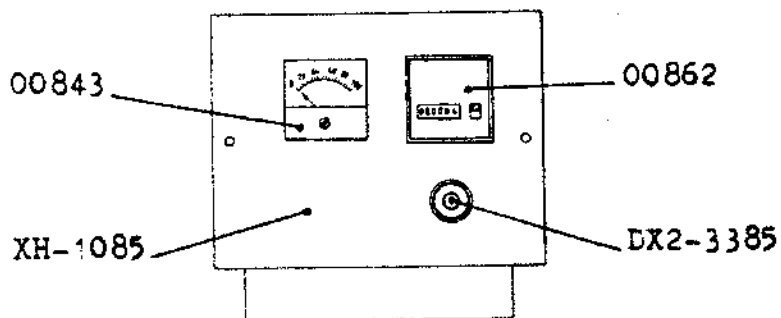


FIG. 2

ZENITH X 2000 HFIG. 1 - LAMPHOUSE

00753 - Lock
00778 - Microswitch
00897 - Needle bearing bush
18-1831 - Knob spindle
18-1834 - Dowser spring screw
XH-1021 - Chimney
XH-1025 - Exhaust side door
XH-1028 - Gasket
XH-1030 - Complete door
XH-1041 - Upper heat shield
XH-1043 - Lower heat shield
XH-1050 - Dowser complete with spindle
XH-1060 - Hub
XH-1063 - Spring screw
XH-1065 - Spring
XH-1067 - Sight glass
XH-1068 - Sight frame
XH-1069 - Sight glass spring
XH-1070 - Cone for V9 - IV/E
XH-1072 - Cone for V8
XH-1073 - Heat filter frame
XH-1180 - Complete heat filter
XH-1181 - Heat filter holder
XH-1182 - Heat filter (glass)
XH-1210 - Manual Mascarini
XH-1220 - Mascarini microswitch for automatic start

FIG. 2 - METERS PANEL

00843 - Ammeter with gasket
00862 - Hour meter
DX2-3385 - Starter push button
XH-1085 - Complete meters panel

ZENITH X 2000 HFIG. 3 - MIRROR/BULB HOLDER AND CONTROLS

00570 - Clamp screw
00863 - Mirror/bulb holder and controls
00863/1 - Adjustable bulb holder
00863/2 - Outside bulb holder (machined casting)
00863/3 - Inside bulb holder (machined casting)
00863/4 - Clamp holder disc
00863/6 - Bulb clamp
00863/9 - Point screw
00863/10 - Spring fastening bracket
00863/12 - Bulb holder support bracket (machined casting)
00863/13 - Vertical and horizontal adjustment screw
00863/14 - V. & H. adjustment screws clutch
00863/17 - Base plate (machined casting)
00863/19 - Carriage guide rod
00863/20 - Carriage focusing screw
00863/23 - Mirror holder (machined casting)
X40-2416 - Spring
X40-2435 - Focusing screw clutch
18-3210 - Adjustment rod

FIG. 4 - AIR DUCT

XH-1107 - Complete air duct
XH-1108 - Air duct (machined casting)
XH-1110 - Air seal disc
XH-1111 - Disc locking ring
XH-1173 - Mirror holder cup only
XH-1173a - Complete mirror holder cup
XH-1175 - Mirror fastening spring

ZENITH X 2000 H

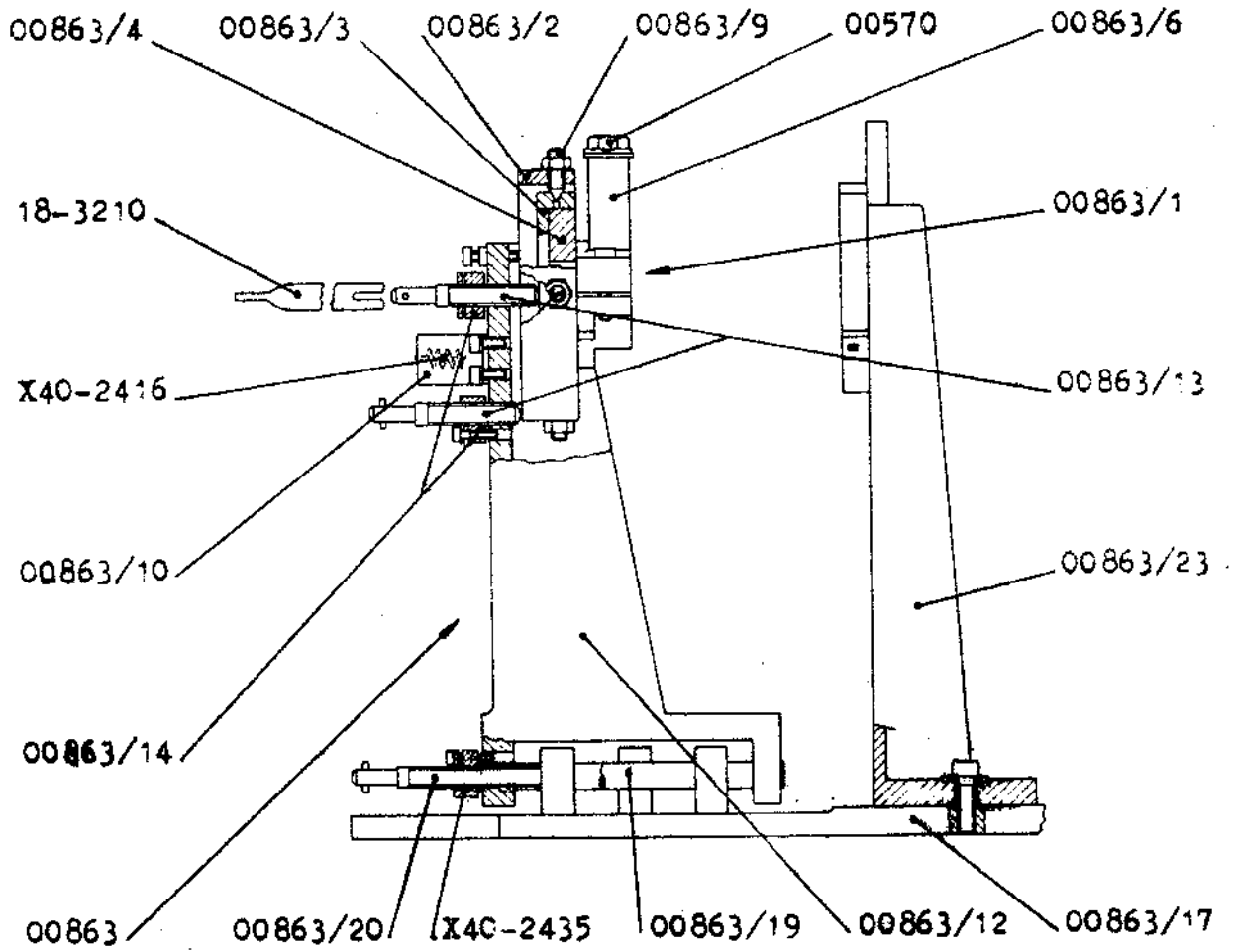


FIG. 3

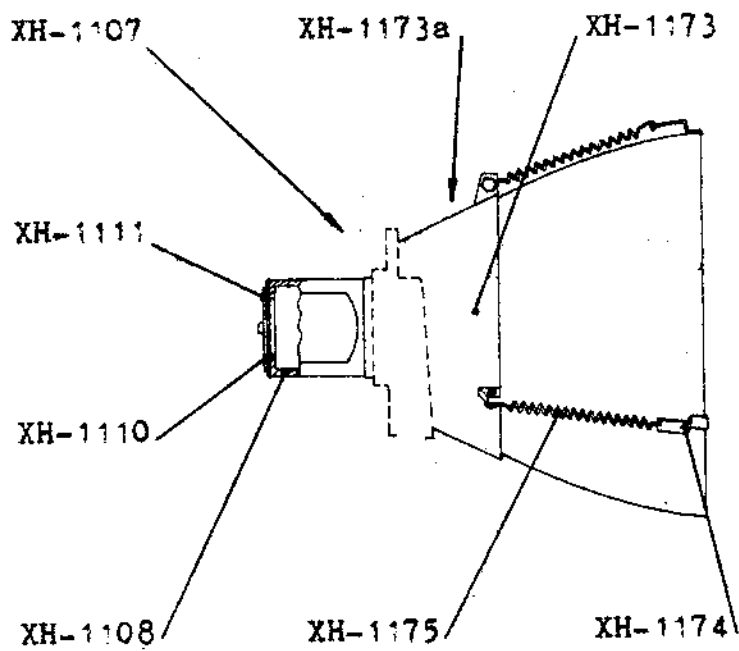


FIG. 4

ZENITH X 2000 H

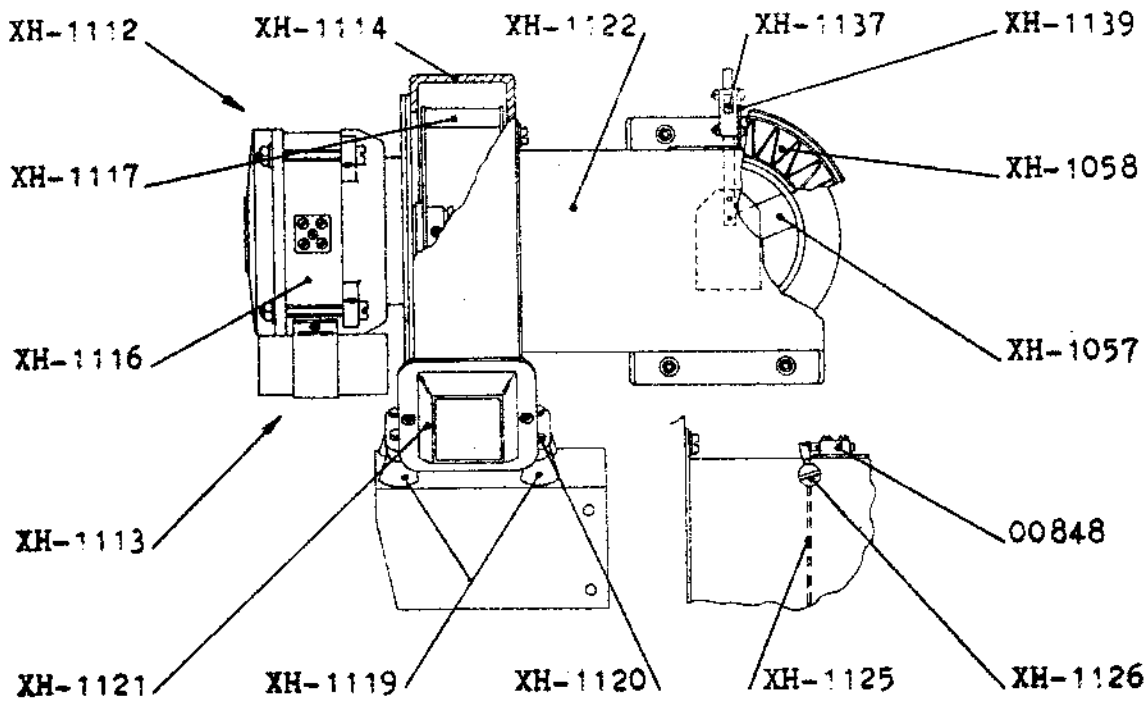


FIG. 5

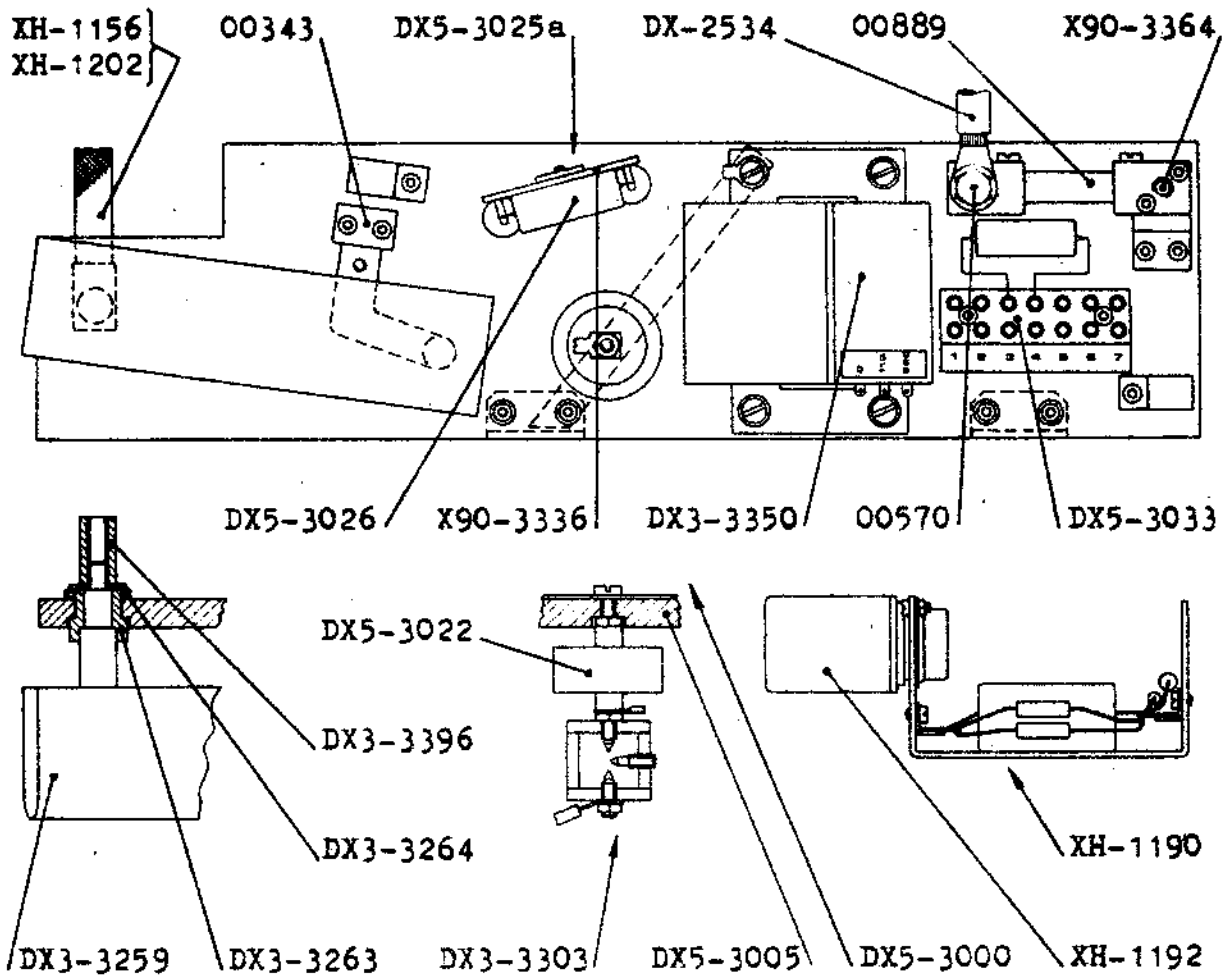


FIG. 6

ZENITH X 2000 HFIG. 5 - BLOWER

00848	- Microswitch
XH-1057	- Air filter fixing plate
XH-1058	- Air filter
XH-1112	- Blower with motor and exhaust duct
XH-1113	- Blower with motor
XH-1114	- Blower (machined casting only)
XH-1116	- Single-phase motor (please specify voltage and Hz)
XH-1117	- Blower fan
XH-1119	- Shock absorbers
XH-1120	- Special nut
XH-1121	- Air duct
XH-1122	- Complete exhaust duct
XH-1125	- Exhaust duct dowser
XH-1126	- Dowser spindle
XH-1137	- Microswitch with dowser
XH-1139	- Microswitch bracket

FIG. 6 - DX/5 STRIKING UNIT

00343	- Cable clamp
00570	- Shunt screw
00889	- Ammeter shunt
DX-2534	- Negative lead
DX3-3259	- Complete coil
DX3-3263	- Bushing
DX3-3264	- Lock washer
DX3-3303	- Complete spark gap
DX3-3350	- Complete transformer
DX3-3396	- Coil retaining sleeve
DX5-3000	- Complete striking unit
DX5-3005	- Blank striking unit plate
DX5-3022	- Condenser 1000 pF - 20 kV
DX5-3025a	- Board complete with condensers
DX5-3026	- Condenser 0.1 μ F - 1000 V1
DX5-3033	- 7-terminal board
XH-1156	- Positive lead for 1600 W bulb
XH-1190	- Auto strike for striking unit (optional)
XH-1192	- Auto strike relay
XH-1202	- Positive lead for 2000 W bulb
X90-3336	- Blank plate for condensers
X90-3364	- Shunt fastening screw

Dispositivo
Cinescopio
da

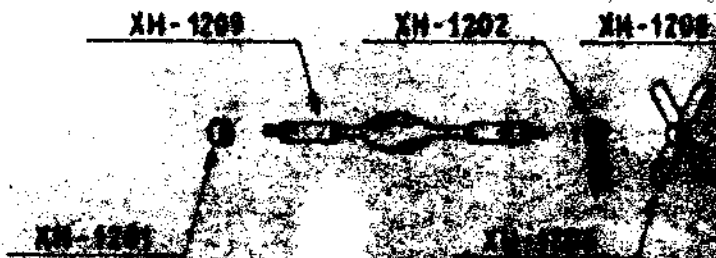
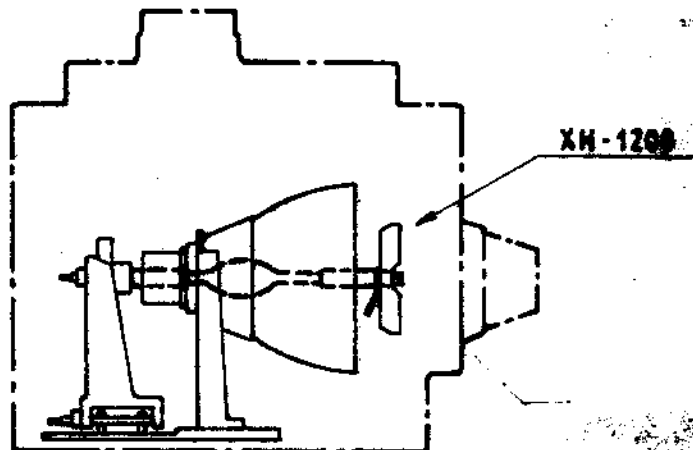
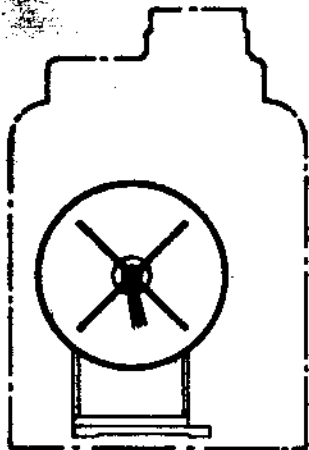


LAMPONA ZENITH X 2000 H
ZENITH X 2000 H LAMPHOUSE

7374

Data 12-1-74
Pagine

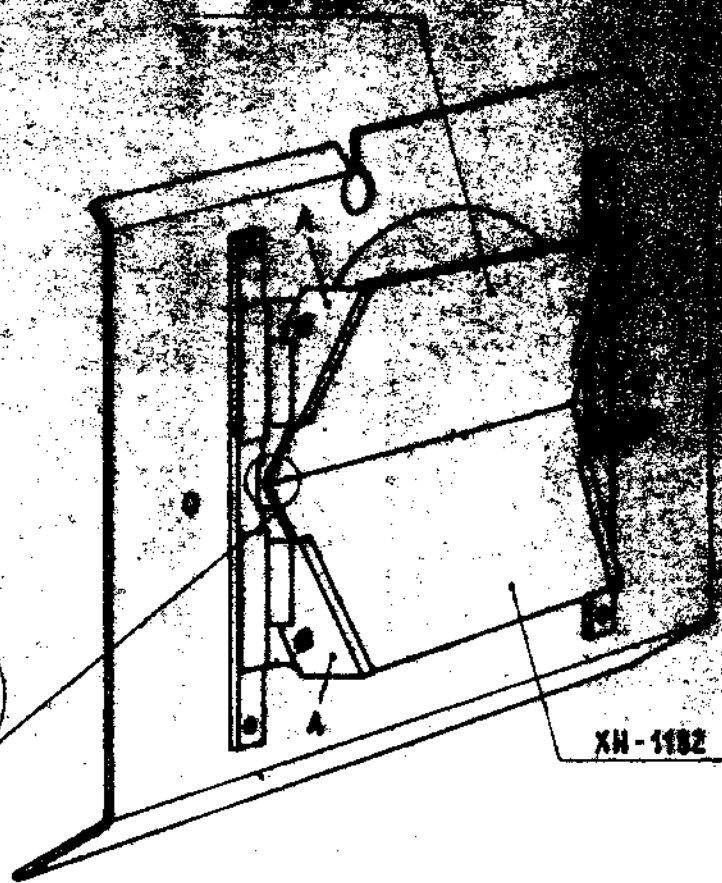
*Montaggio dissipatore su ampolla 2000 W con specchio caldo -
Installation of anode cooler for 2000 W bulb -*



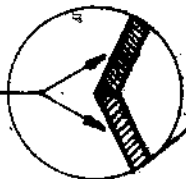
FILTRI CALORE

*Per i filtri smontare solo
il coperchio contrassegnato con*

il simbolo

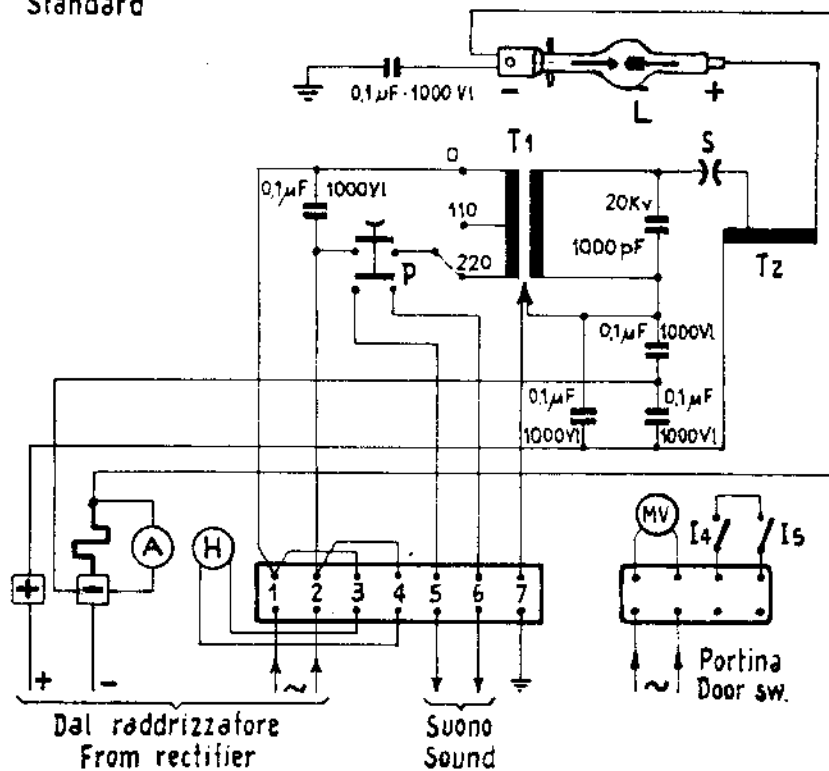


*Superficie trattata
Coated side*

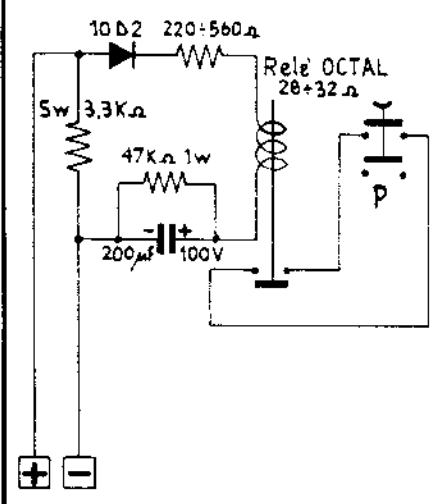


Data 12.4.73
 Modifiche
 Aggiornato
 4/6/73

Standard



Auto - accensione
 Self - striking

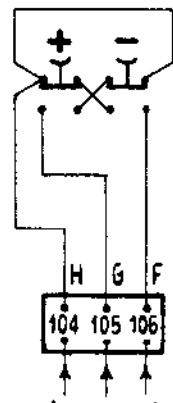


- | | |
|-----------------------|------------------------|
| A - Ampèrometro | - Ammeter |
| H - Contatore | - Hour meter |
| P - Pulsante ampolla | - Starting push button |
| S - Scintillatore | - Spark gap |
| T1 - Trasformatore | - Transformer |
| T2 - Trasformatore AT | - HT Transformer |
| L - Ampolla | - Bulb |

- | |
|-------------------------------|
| MV - Motore ventilatore |
| MV - Fan motor |
| I4 - Interruttore portina |
| I4 - Door switch |
| I5 - Interruttore ventilatore |
| I5 - Switch fan motor |

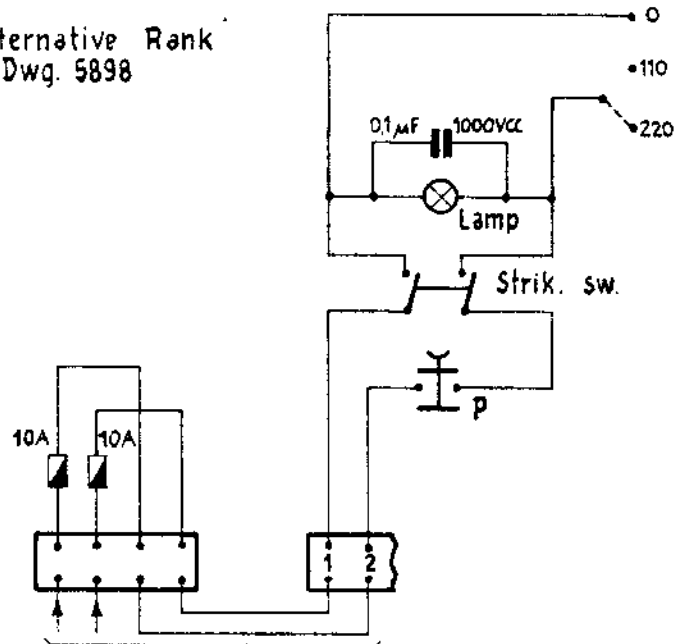
NB - COLLEGARE I FILI DEL TRASFORMATORE T1 SECONDO LA RETE -
 NB - CONNECTED T1 TRANSFORMER LEADS ACCORDING TO MAINS VOLTAGE -

Comando a distanza corrente
 ampolla
 Bulb current remote control



Dal raddrizzatore = From Rectifier = Dal raddrizzatore

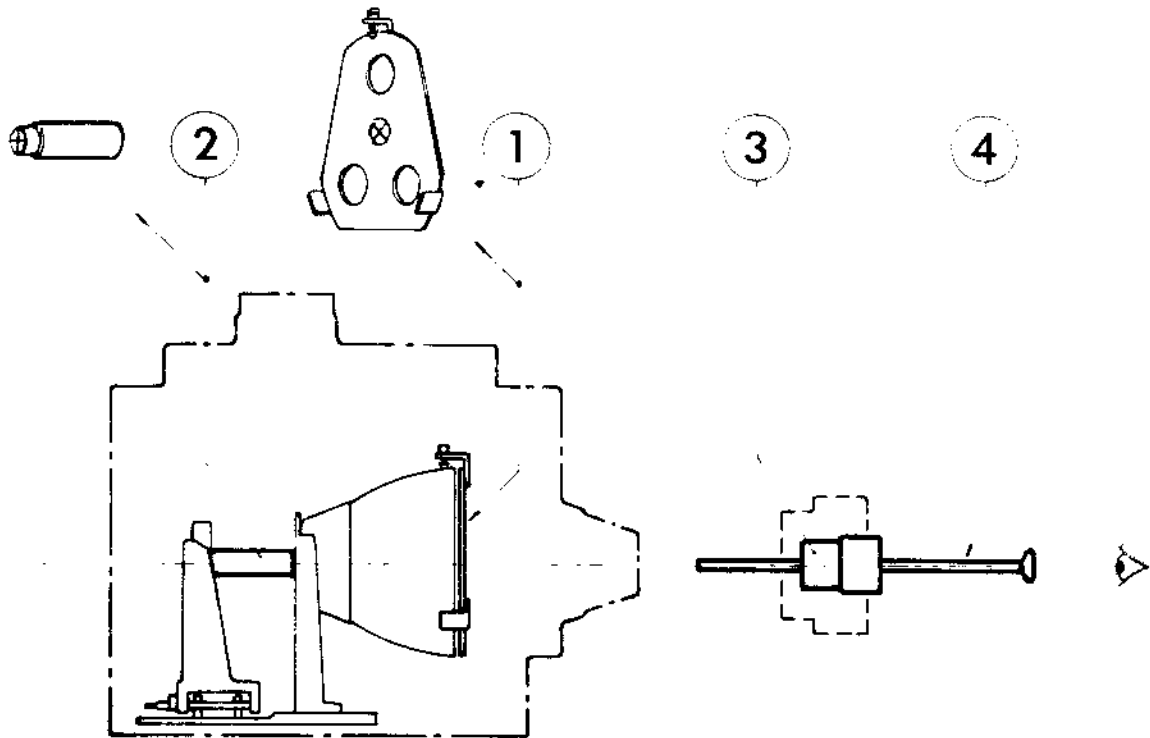
Alternative Rank
 Dwg. 5898



Dal raddrizzatore = From Rectifier = Dal raddrizzatore

Data 1-9-76

fiche



ALLINEAMENTO OTTICO

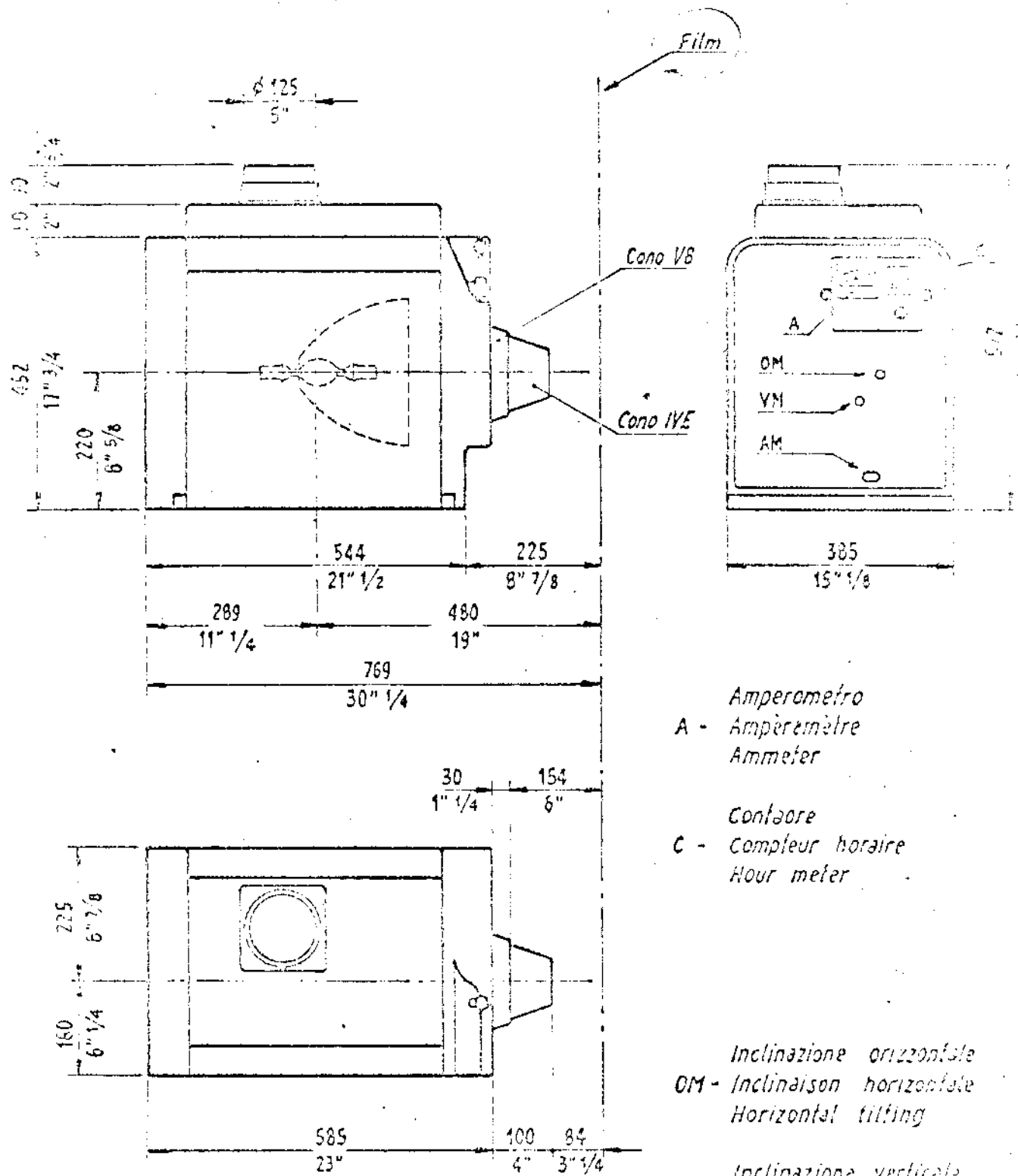
Montare il traguardo anteriore (1) sullo specchio, il traguardo posteriore (2) nel dispositivo porta ampolla e l'adattatore (3) nel porta obbiettivo, quindi effettuare l'allineamento attraverso il cannocchiale (4) in modo che i riferimenti risultino allineati.

OPTICAL ALIGNMENT

Fit plate (1) on reflector, dummy bulb (2) into bulb clamp, and my lens (3) into lens holder. Then align through eyepiece (4) the three crosses.

ALIGNEMENT OPTIQUE

Monter la plaque antérieure (1) sur le miroir, le tube postérieur (2) sur le dispositif porte-ampoule et l'adaptateur (3) sur le porte-objectif, ensuite effectuer l'alignement à travers la lunette (4) de façon que les références résultent alignées.

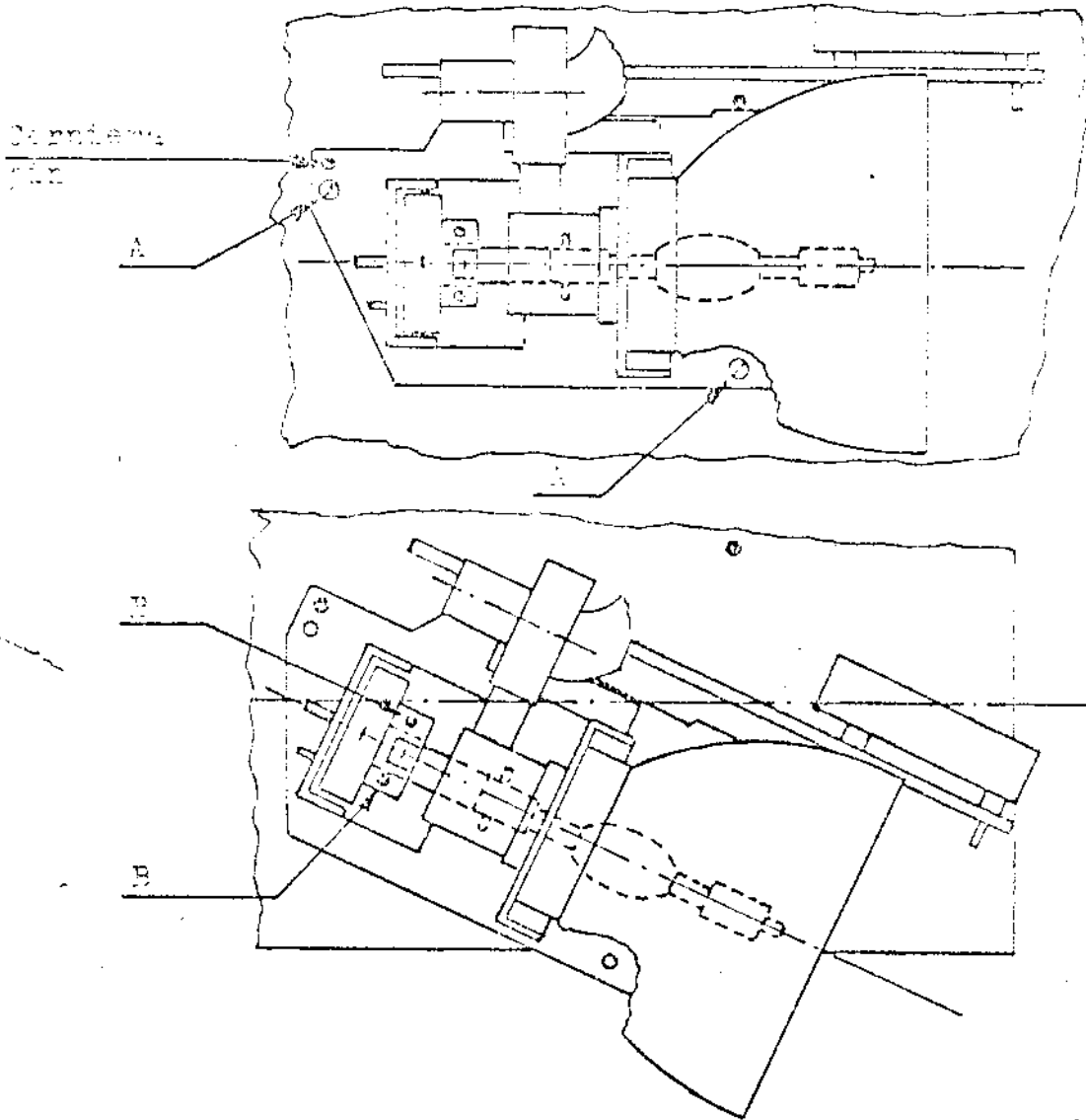


Peso netto Kg. 30 circa

Spostamento orizzontale



Montaggio ampolla - How to fit the bulb



Per montare l'ampolla occorre togliere le viti A (fig. 1), girare il dispositivo verso l'esterno, inserire l'ampolla nel clamp, bloccare le viti B (fig. 2) indi riportare il dispositivo nella posizione fig. 1.

To fit the bulb, remove screws A (fig. 1), Rotate the holder card and insert the bulb into the clamp. Lock screws B (fig. 2) and reposition the holder as in fig. 1.

Disegnato
da *Cantoni*
Controllato
da



ADATTATORI AMPIOLLA PER LANTERNA X 1000 H

7471

Data 2-9-75
modifiche

Adattatore

φ30

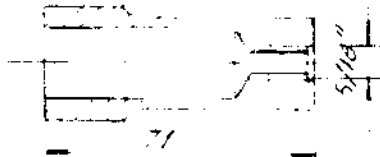
165

F₁

Schizzo

N° Disegno

Tipo ampolla



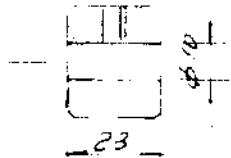
XH-1166

Ampolla XBO 1650 W/hs

Ampolla XBO 700 W/hs

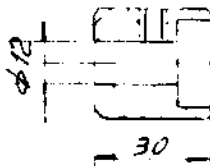
Ampolla XBO 1000 W/hs

(OSRAM)



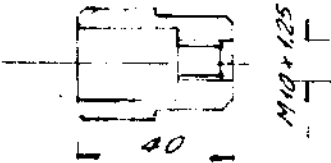
XH-1201

Ampolla ZXL2003HK (USHIO EL. INC)



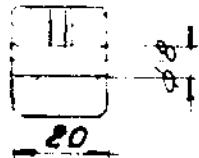
XH-1262

Ampolla CSX 2000 W-H (PHILIPS)



XH-1282

Ampolla ZXL1003HK (USHIO EL. INC)



XH-1295

Ampolla XBO 2500 W/hs (OSRAM)

Disegnato
da *Fugiero*
Controllato
da



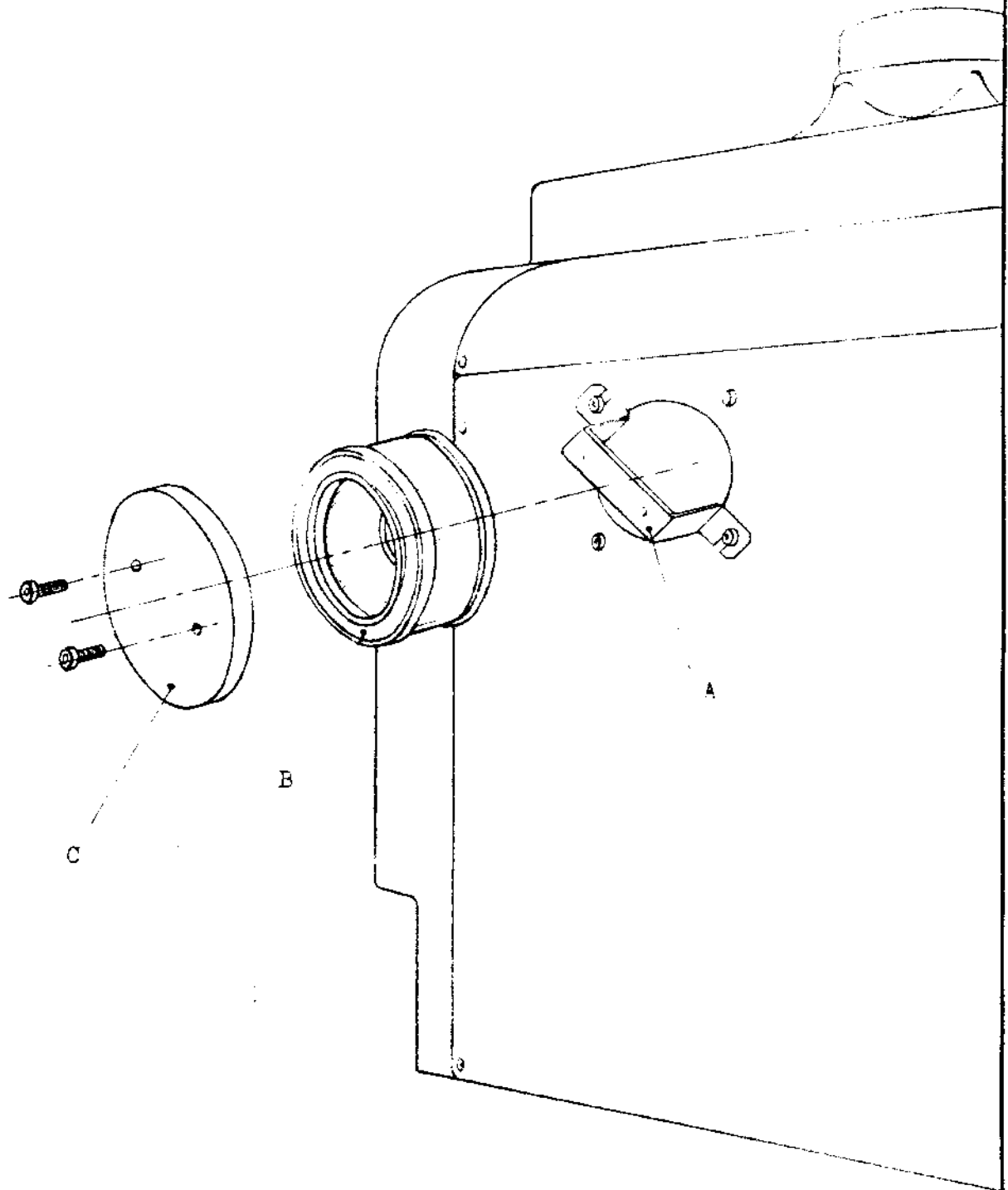
LISTA PARTI - PARTS LIST
ZENITH X 2000 H CAMERAS

7395

Montaggio filtro aria - air filter mounting

Data 29-4-74

• fiche



- A - Supporto filtro - Filter bracket
- B - Filtro aria - Air filter
- C - Coperchio filtro - Filter cover