

# Film-Tech

The information contained in this Adobe Acrobat pdf file is provided at your own risk and good judgment.

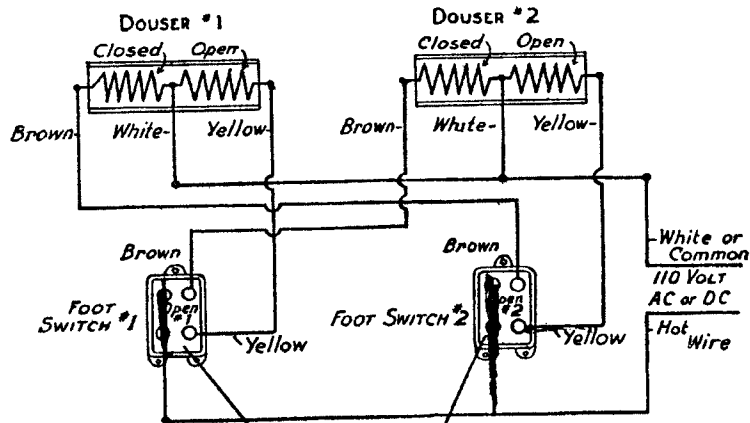
These manuals are designed to facilitate the exchange of information related to cinema projection and film handling, with no warranties nor obligations from the authors, for qualified field service engineers.

If you are not a qualified technician, please make no adjustments to anything you may read about in these Adobe manual downloads.

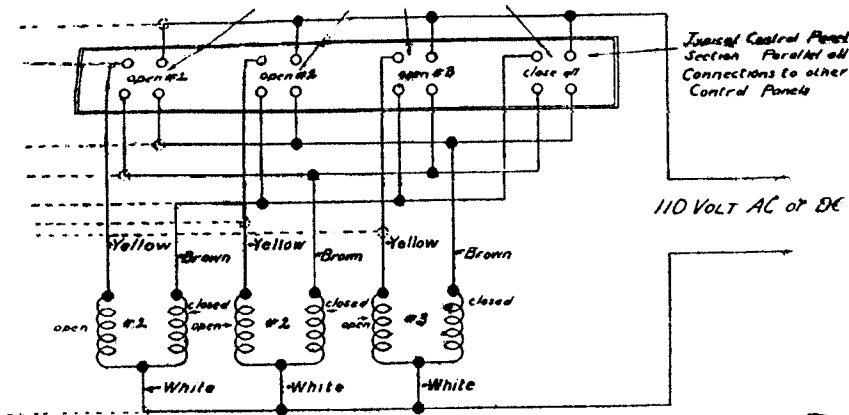
[www.film-tech.com](http://www.film-tech.com)



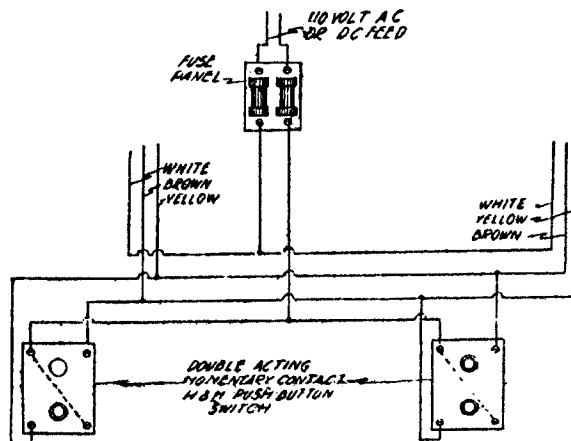
# WIRING DIAGRAMS



Special 4 Point Tumbler Momentary Contact  
H and H Switch No. 21585A  
WIRING PLAN—TWO DOUSERS—TWO FOOT SWITCHES  
Special 4 Point Tumbler Momentary Contact Switch



WEAVER ELECTRIC DOUSER  
Patented Feb. 1, 1931



WIRING PLAN—TWO DOUSERS—TWO SWITCHES  
WEAVER AUTO DOUSER  
PATENTED FEB. 1, 1931

(NOTE: Black Wire replaces Brown in Diagram)

Do Not Fuse Over 2.2 Ampere Buss Fusetat

**NOTICE**

**NOTICE**

Do Not Fuse Over 2.2 Ampere Buss Fusetat

Apr 0664