

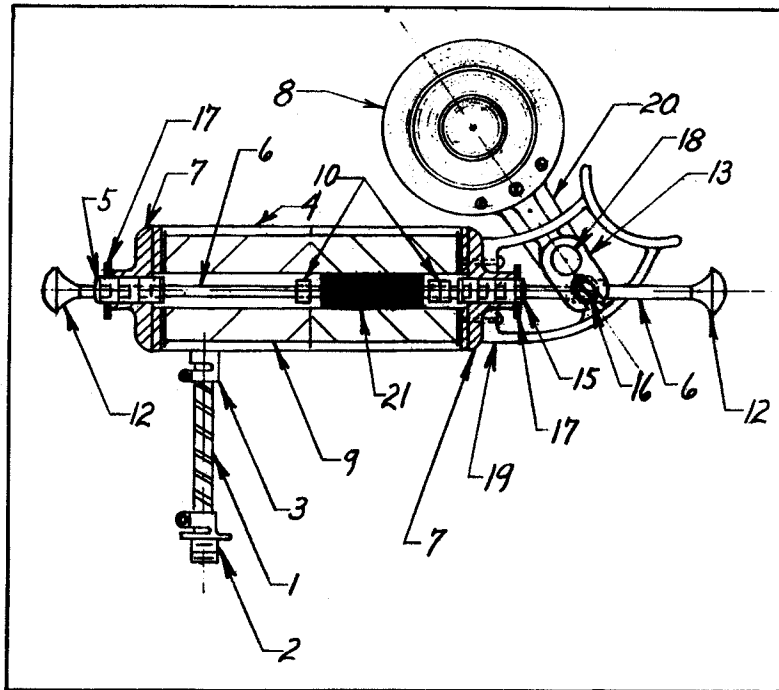
Film-Tech

The information contained in this Adobe Acrobat pdf file is provided at your own risk and good judgment.

These manuals are designed to facilitate the exchange of information related to cinema projection and film handling, with no warranties nor obligations from the authors, for qualified field service engineers.

If you are not a qualified technician, please make no adjustments to anything you may read about in these Adobe manual downloads.

www.film-tech.com



MODEL HL

WEAVER Lamp Cone Type DOUSER

Model HL Douser, Complete. \$25.00—Pair \$50.00

PARTS	PRICE
HL- 1—Flex Steel Cable, per ft.	\$.10
HL- 2—Connector for ½" K. O.25
HL- 4—Coil Box	5.00
HL- 5—Back Bumper and Adj. Plug75
HL- 6—Piston Rod	1.00
HL- 7—Coil Box End	3.00
HL- 8—Douser Blade, 4"-5" or 5½"70
HL- 9—Double Coil or Core	5.00
HL-10—Leather Bumper05
HL-12—Handle for Hand Operation (Alum.)80
HL-13—Slot Fork	1.00
HL-14—Head Assembly	10.00
HL-15—Front Bumper and Adj. Plug75
HL-16—Plunger Spool40
HL-17—Lock Nut10
HL-18—Tension Spring05
HL-19—Head Casting	5.00
HL-20—Douser Blade Casting	2.50
HL-21—Piston	1.00

ORDER BY NUMBER