

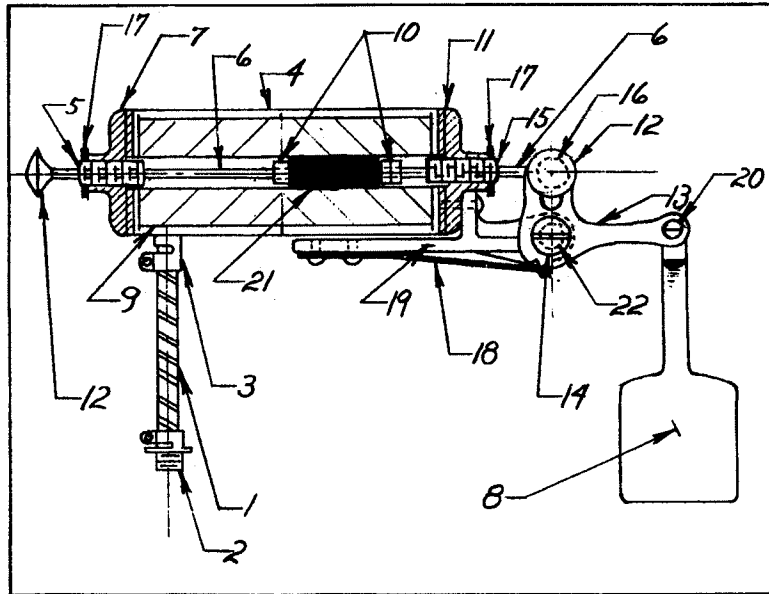
# Film-Tech

The information contained in this Adobe Acrobat pdf file is provided at your own risk and good judgment.

These manuals are designed to facilitate the exchange of information related to cinema projection and film handling, with no warranties nor obligations from the authors, for qualified field service engineers.

If you are not a qualified technician, please make no adjustments to anything you may read about in these Adobe manual downloads.

[www.film-tech.com](http://www.film-tech.com)



## MODEL E7 WEAVER Simplex DOUSER

**Model E7 Douser, Complete. \$25.00—Pair \$50.00**

PARTS	PRICE
E7- 1—Flex Steel Cable, per ft. ....	\$ .10
E7- 2—Connector ½" K. O. ....	.25
E7- 4—Coil Box ....	5.00
E7- 5—Back Bumper and Adj. Plug ....	.75
E7- 6—Piston Rod ....	1.00
E7- 7—Coil Box End (Back) ....	3.00
E7- 8—Douser Blade ....	.80
E7- 9—Double Coil or Core ....	5.00
E7-10—Leather Bumper ....	.05
E7-11—Coil Box End (Front) ....	3.50
E7-12—Handle for Hand Operation (Alum.) ....	.80
E7-13—Fork ....	4.00
E7-14—Bearing Screw ....	.70
E7-15—Front Bumpers and Adj. Plug ....	.75
E7-16—Plunger Spool ....	.40
E7-17—Lock Nut ....	.10
E7-18—Spring ....	.70
E7-19—Head Casting ....	6.00
E7-20—Blade Adjustment Screw ....	.50
E7-21—Piston ....	1.00
E7-22—Fork Bushing ....	.30
E7-24—Mounting Screw Standard ....	.20
E7-25—Complete Head Assembly ....	12.50
E7-26—Mounting Screw ....	.20

**ORDER BY NUMBER**