

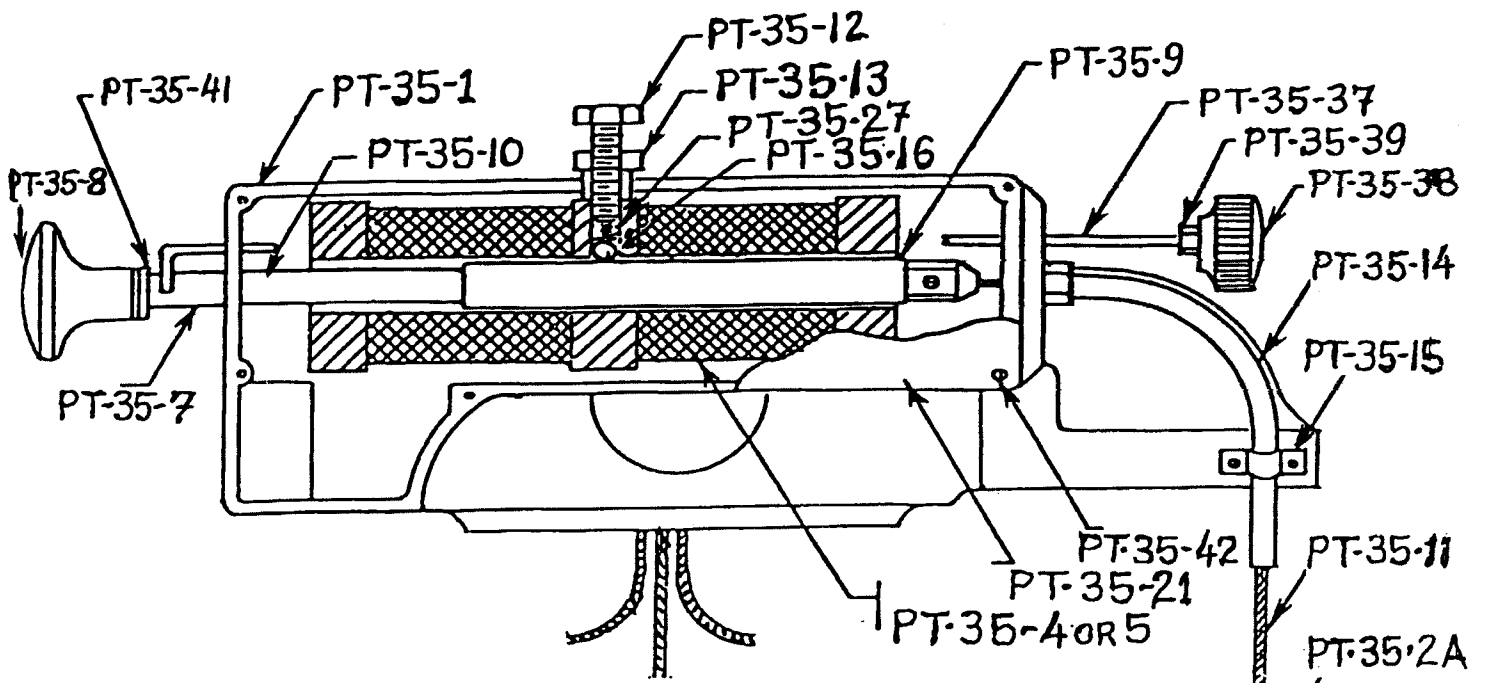
Film-Tech

The information contained in this Adobe Acrobat pdf file is provided at your own risk and good judgment.

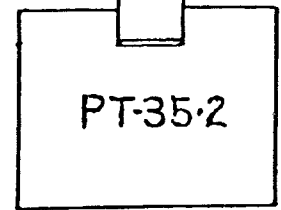
These manuals are designed to facilitate the exchange of information related to cinema projection and film handling, with no warranties nor obligations from the authors, for qualified field service engineers.

If you are not a qualified technician, please make no adjustments to anything you may read about in these Adobe manual downloads.

www.film-tech.com



UNIVERSAL PROJECTOR PT-35JR



PART NO.	DESCRIPTION	PRICE
PT-35 - 1	Main Casting	\$56.09
PT-35 - 2	Shutter	7.71
PT-35 - 2A	Shutter Set Screws97
PT-35 - 3	Shutter Slide Casting	18.21
PT-35 - 4	A. G. Coil	55.25
PT-35 - 5	D. C. Coil	60.10
PT-35 - 7	Armature Assembly Complete with Flexible Shaft & Knob	25.96
PT-35 - 8	Armature Knob	2.89
PT-35 - 9	Steel Armature Section	7.71
PT-35 - 10	Brass Armature Section	9.57
PT-35 - 11	Flexible Shaft and Connector	9.57
PT-35 - 12	Adjustment Screw	1.91
PT-35 - 13	Adjustment Screw Locknut	1.91
PT-35 - 14	Flexible Shaft Tube	7.71
PT-35 - 15	Flexible Shaft Tube Clamp97
PT-35 - 16	Ball Bearing97
PT-35 - 21	Name Plate	7.71
PT-35 - 27	Tension Spring97
PT-35 - 37	Hand Rod	6.42
PT-35 - 38	Hand Rod Knob	2.89
PT-35 - 39	Hand Rod Knob Locknut52
PT-35 - 41	Lockwasher52
PT-35 - 42	Drive Screws 7 Pcs.	1.07
PT-35 - 44	Coil Mounting Screw and Washers	1.33