

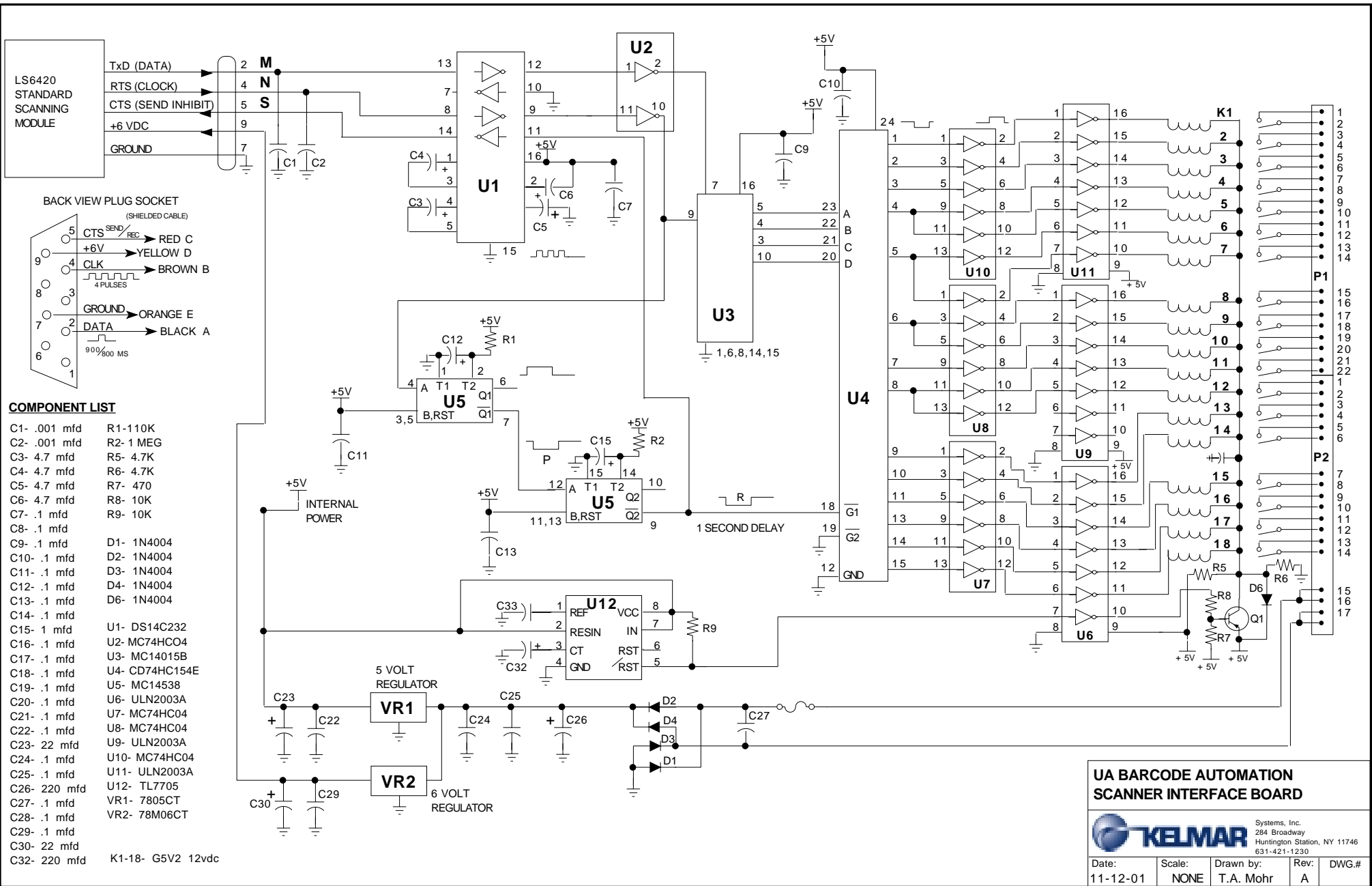
FILM-TECH

THE INFORMATION CONTAINED IN THIS ADOBE ACROBAT PDF FILE IS PROVIDED AT YOUR OWN RISK AND GOOD JUDGMENT.

THESE MANUALS ARE DESIGNED TO FACILITATE THE EXCHANGE OF INFORMATION RELATED TO CINEMA PROJECTION AND FILM HANDLING, WITH NO WARRANTIES NOR OBLIGATIONS FROM THE AUTHORS, FOR QUALIFIED FIELD SERVICE ENGINEERS.

IF YOU ARE NOT A QUALIFIED TECHNICIAN, PLEASE MAKE NO ADJUSTMENTS TO ANYTHING YOU MAY READ ABOUT IN THESE ADOBE MANUAL DOWNLOADS.

WWW.FILM-TECH.COM




COMPONENT LIST

- C1- .001 mfd R1-110K
- C2- .001 mfd R2-1 MEG
- C3- 4.7 mfd R5- 4.7K
- C4- 4.7 mfd R6- 4.7K
- C5- 4.7 mfd R7- 470
- C6- 4.7 mfd R8- 10K
- C7- 1 mfd R9- 10K
- C8- .1 mfd
- C9- .1 mfd D1- 1N4004
- C10- .1 mfd D2- 1N4004
- C11- .1 mfd D3- 1N4004
- C12- .1 mfd D4- 1N4004
- C13- .1 mfd D6- 1N4004
- C14- .1 mfd
- C15- 1 mfd U1- DS14C232
- C16- .1 mfd U2- MC74HC04
- C17- .1 mfd U3- MC14015B
- C18- .1 mfd U4- CD74HC154E
- C19- .1 mfd U5- MC14538
- C20- .1 mfd U6- ULN2003A
- C21- .1 mfd U7- MC74HC04
- C22- .1 mfd U8- MC74HC04
- C23- 22 mfd U9- ULN2003A
- C24- .1 mfd U10- MC74HC04
- C25- .1 mfd U11- ULN2003A
- C26- 220 mfd U12- TL7705
- C27- .1 mfd VR1- 7805CT
- C28- .1 mfd VR2- 78M06CT
- C29- .1 mfd
- C30- 22 mfd
- C32- 220 mfd

K1-18- G5V2 12vdc

**UA BARCODE AUTOMATION
SCANNER INTERFACE BOARD**



Systems, Inc.
284 Broadway
Huntington Station, NY 11746
631-421-1230

Date: 11-12-01	Scale: NONE	Drawn by: T.A. Mohr	Rev: A
			DWG.#