

# FILM-TECH

**THE INFORMATION CONTAINED IN THIS ADOBE ACROBAT PDF FILE IS PROVIDED AT YOUR OWN RISK AND GOOD JUDGMENT.**

**THESE MANUALS ARE DESIGNED TO FACILITATE THE EXCHANGE OF INFORMATION RELATED TO CINEMA PROJECTION AND FILM HANDLING, WITH NO WARRANTIES NOR OBLIGATIONS FROM THE AUTHORS, FOR QUALIFIED FIELD SERVICE ENGINEERS.**

**IF YOU ARE NOT A QUALIFIED TECHNICIAN, PLEASE MAKE NO ADJUSTMENTS TO ANYTHING YOU MAY READ ABOUT IN THESE ADOBE MANUAL DOWNLOADS.**

**[WWW.FILM-TECH.COM](http://WWW.FILM-TECH.COM)**

P1

- 1 ○
- 2 ○
- 3 ○
- 4 ○
- 5 ○
- 6 ○
- 7 ○
- 8 ○
- 9 ○
- 10 ○
- 11 ○
- 12 ○
- 13 ○
- 14 ○
- 15 ○
- 16 ○
- 17 ○
- 18 ○
- 19 ○
- 20 ○
- 21 ○
- 22 ○

P2

- 1 ○
- 2 ○
- 3 ○
- 4 ○
- 5 ○
- 6 ○
- 7 ○
- 8 ○
- 9 ○
- 10 ○
- 11 ○
- 12 ○
- 13 ○
- 14 ○
- 15 ○
- 16 ○
- 17 ○
- 18 ○

GROUND

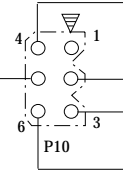
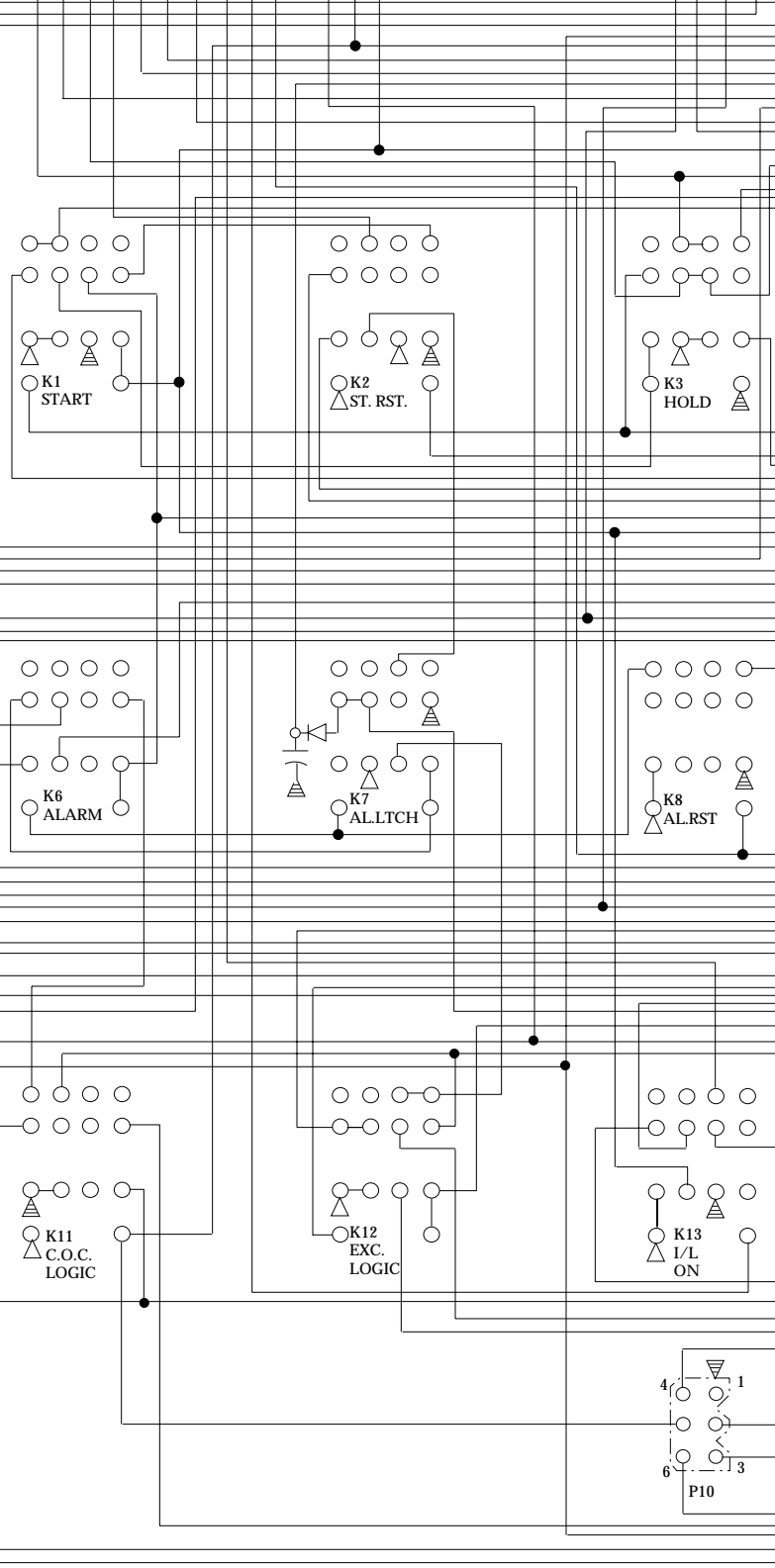
12 VAC

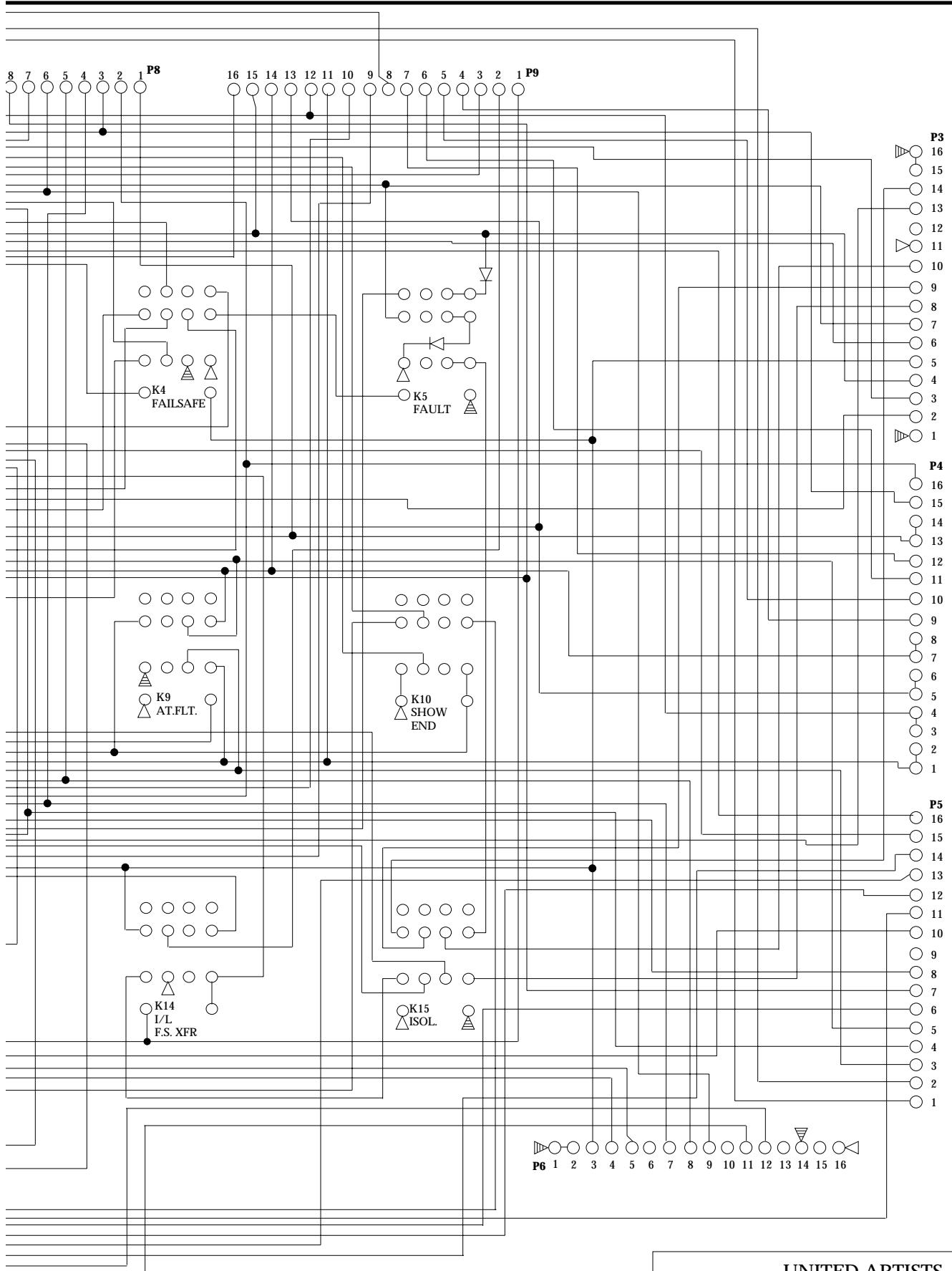
- 4 ○ 3 ○ 2 ○ 1 ○ N.C.
- 8 ○ 7 ○ 6 ○ 5 ○ N.O.
- 12 ○ 11 ○ 10 ○ 9 ○ COM
- COIL ○
- 14 ○ 13 ○

**RELAY KEY**

P7

16 15 14 13 12 11 10 9

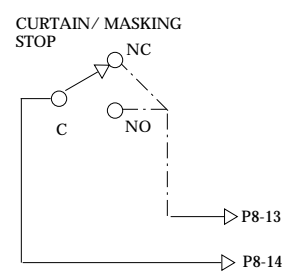
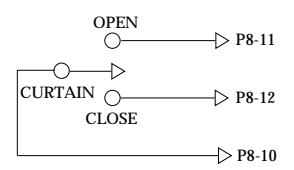
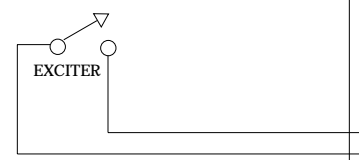
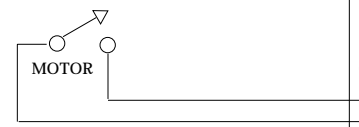
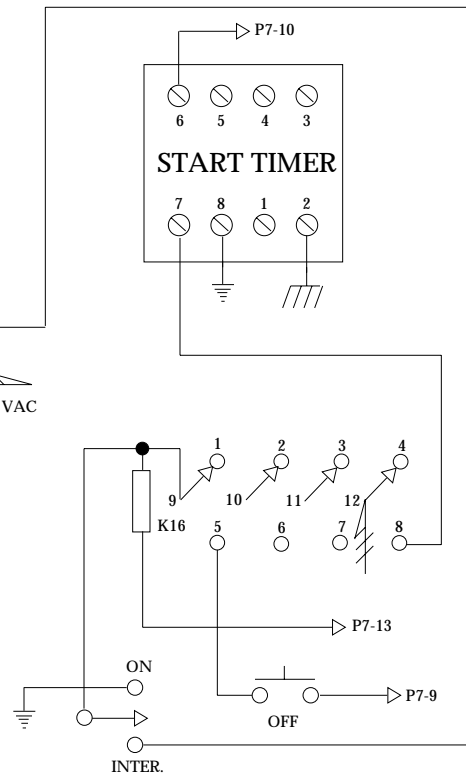
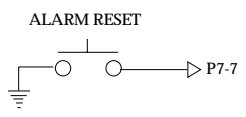
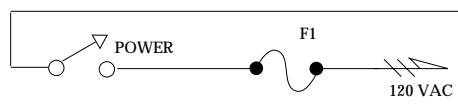
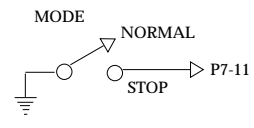
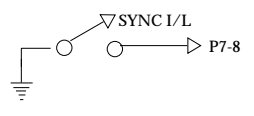
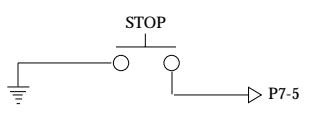
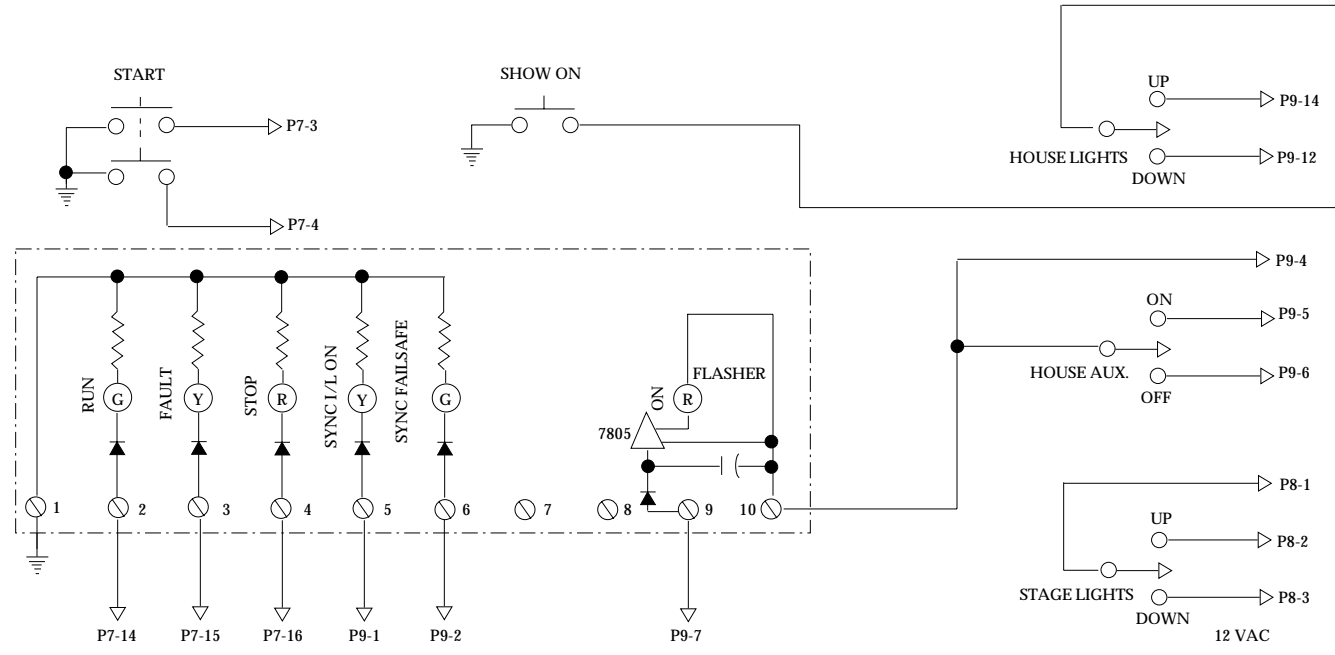




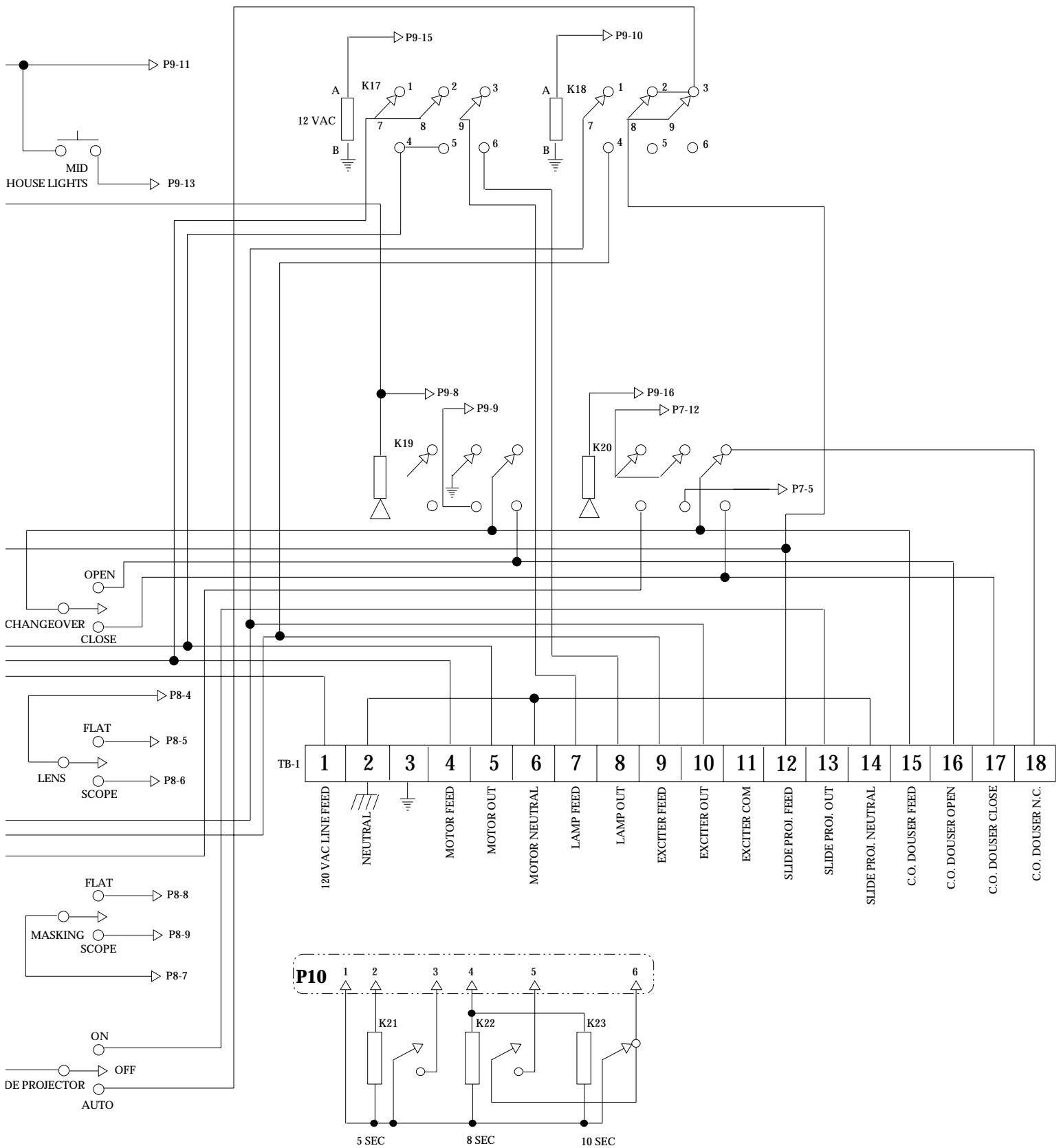
**UNITED ARTISTS  
 LASER SCANNER AUTOMATION  
 MAIN LOGIC BOARD P/N 7917  
 AS MANUFACTURED BY  
 KELMAR SYSTEMS INC.**

DATE: 5-9-94

DRAWN BY:  
GWE / TAM



SLI



UNITED ARTISTS  
 LASER SCANNER AUTOMATION  
 CHASSIS SCHEMATIC  
 AS MANUFACTURED BY  
 KELMAR SYSTEMS INC.

DATE: 5-13-94

DRAWN BY:  
 GWE / TAM