

# Film-Tech

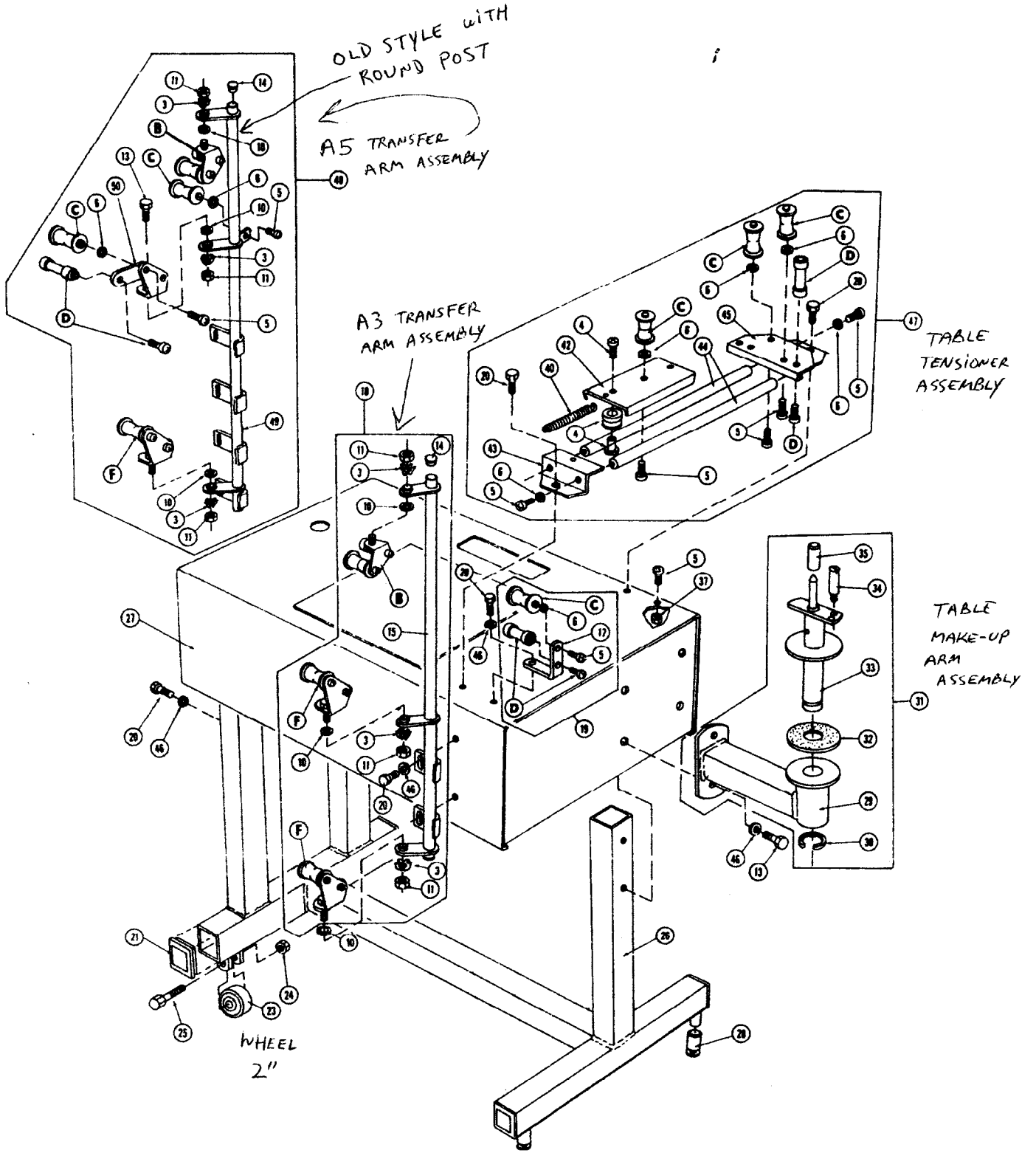
The information contained in this Adobe Acrobat pdf file is provided at your own risk and good judgment.

These manuals are designed to facilitate the exchange of information related to cinema projection and film handling, with no warranties nor obligations from the authors, for qualified field service engineers.

If you are not a qualified technician, please make no adjustments to anything you may read about in these Adobe manual downloads.

[www.film-tech.com](http://www.film-tech.com)

MAKE-UP TABLE (TOP VIEW) & ARMS

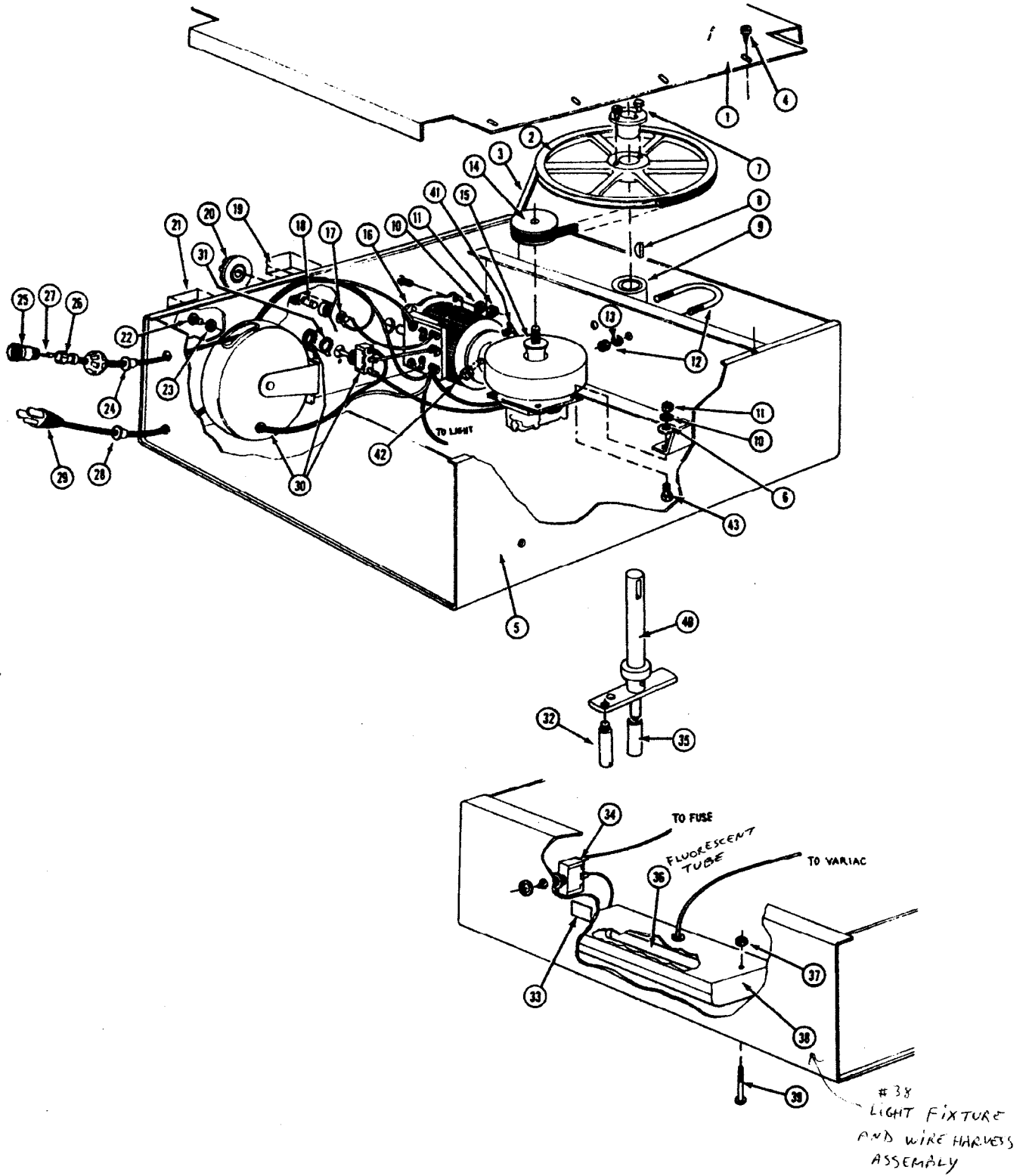


# TABLE TOP

## A3 & A5 TRANSFER ARM

ITEM	PART NO.	DESCRIPTION
B	1528-05-03	Castor Swivel Brkt & Pulley Ass'y Left (See Page No.'s 2 & 3)
C	1447-05-03	Pulley Shaft - Castor .125 & Pulley Ass'y (See Page No.'s 2 & 3)
D	2602-05-03	Keeper Shaft Tapered & Spool Ass'y (See Page No.'s 2 & 3)
F	1530-05-03	Castor Swivel Brkt & Pulley Ass'y Right (See Page No.'s 2 & 3)
3	2046-03-01	Washer Finger Spring .340 ID
4	2629-04-03	Take-Up Slide Shaft & Roller Ass'y
5	1071-03-01	Screw PTH 10-32 x 3/8
6	1078-03-01	Lockwasher No. 10 - Internal Tooth
10	1079-03-01	Lockwasher 1/4 - Split Ring
11	1087-03-01	Nut Hex 1/4-28
13	1056-03-01	HHCS 1/4-28 x 3/4
14	1296-05-01	Hole Plug 7/8
15	2623-19-04	Transfer Arm & Bearing Sub-Ass'y A3, <i>ROUND POST, OLD STYLE</i>
17	1302-12-00	Table Pulley Brkt
18	1525-19-11	Transfer Arm Ass'y A3
19	1974-12-03	Table Pulley Brkt Ass'y
20	1055-03-01	HHCS 1/4-28 x 1/2
21	1286-12-01	Table Leg End Cap 2 x 2
23	1285-12-01	Table Wheel 2"
24	1088-03-01	Nut Two Way Self Locking 1/4-28
25	1057-03-01	HHCS 1/4-28 x 1 3/4
26	1481-12-08	Table Base Weldment
27	1484-12-08	Table Shell Weldment
28	1284-12-01	Table Glide
29	1485-12-08	Table Make-Up Arm Weldment
30	1316-03-01	Snap Ring Outside 3/4
31	1540-12-03	Table Make-Up Arm Ass'y
32	1315-12-01	Table Felt Clutch Pad
33	1486-12-08	Table Make-Up Spindle Weldment
34	1311-12-00	Table Reel Drive Pin
35	1312-12-00	Table Spindle Pin Adapter $\frac{1}{2}$ "
37	1086-03-01	Nut Hex 10-32
40	1300-05-01	Spring Extension 7/16 x 4
42	1299-12-00	Table Tensioner Carrier Plt
43	1301-12-00	Table Tensioner Lower Brkt
44	1298-12-00	Table Tensioner Rail
45	1297-12-00	Table Tensioner Upper Brkt
46	1076-03-01	Flatwasher 1/4
47	1557-12-03	Table Tensioner Ass'y
48	1532-19-11	Transfer Arm Ass'y A5
49	2624-19-04	Transfer Arm & Bearing Sub-Ass'y A5, <i>ROUND POST, OLD STYLE</i>
50	1334-19-08	Transfer Arm Castor Swivel Weldment A5

MAKE-UP TABLE (BOTTOM VIEW)



## MAKE-UP TABLE

## TABLE BOTTOM

ITEM	PART NO.	DESCRIPTION
1	2328-12-00	Table Bottom Cover
2	1321-12-01	Table Sheave 12"
→ 3	1320-12-01	Table Drive Belt
4	1091-03-01	Screw PPH 10-24 x 3/8" Type F
5	1484-12-08	Table Shell Weldment
6	1076-03-01	Flatwasher 1/4
7	1322-12-01	Table Sheave Bushing
8	1054-03-01	Key Woodriff No. 9
9	1490-12-03	Table Drive Hub Ass'y
10	1079-03-01	Lockwasher 1/4 - Split Ring
11	1087-03-01	Nut Hex 1/4-28
12	1273-12-01	Table Muffler Clamp
13	1080-03-01	Lockwasher 5/16 - Split Ring
14	1319-12-00	Table Drive Pulley 1 1/2
— 15	1337-12-03	Table Motor & Mnt Ass'y MOTOR: AMETEC # 115750
— 16	1006-01-01	Transformer Type 1010 115 Volt STACO # 1010
17	1568-12-09	Table Power Fuse Wire Harness
18	1010-01-01	Fuse 10 A. 32 Volt
19	1292-12-01	Table Variac Decal
20	1289-12-01	Table Variac Knob
21	1290-12-01	Table Motor Decal
22	1071-03-01	Screw PTH 10-32 x 3/8
23	1078-03-01	Lockwasher No. 10 - Internal Tooth
24	1176-05-01	Bushing Plastic 5/8
25	2069-01-01	Plug 4 Pin Amp No. 206429-1
26	2070-01-01	Clamp Cable No. 11 Amp No. 206358-1
27	2064-01-01	Pin Male Amp No. 66589-1
28	1127-05-01	Strain Relief 5/8 x 14 GA.
29	1503-12-09	Table Power Cord Wire Harness
30	1570-12-03	Table Cable Reel & Wire Harness Ass'y A. DAYTON # 1W942
31	1081-03-01	Washer Switch Keyed
32	1311-12-00	Table Reel Drive Pin
33	1291-12-01	Table Light Decal
34	1024-01-01	Toggle Switch SPST On-Off
35	1312-12-00	Table Spindle Pin Adapter
— 36	1023-01-01	Bulb Fluorescent 115 Volt
37	1083-03-01	Nut Hex 6-32
— 38	1502-12-03	Table Light & Wire Harness Ass'y
39	1068-03-01	Screw PPH 6-32 x 1 1/2
40	1488-12-08	Table Drive Spindle Weldment
41	1005-01-01	Brush Variac 115 Volt
42	2103-01-01	Contact Ass'y Variac
43	1056-03-01	HHCS 1/4-28 x 3/4

SOME VERSIONS MAY USE INCANDESCENT LAMP FIXTURE INSTEAD OF THE FLOURESCENT LAMP FIXTURE.