

FILM-TECH

THE INFORMATION CONTAINED IN THIS ADOBE ACROBAT PDF FILE IS PROVIDED AT YOUR OWN RISK AND GOOD JUDGMENT.

THESE MANUALS ARE DESIGNED TO FACILITATE THE EXCHANGE OF INFORMATION RELATED TO CINEMA PROJECTION AND FILM HANDLING, WITH NO WARRANTIES NOR OBLIGATIONS FROM THE AUTHORS, FOR QUALIFIED FIELD SERVICE ENGINEERS.

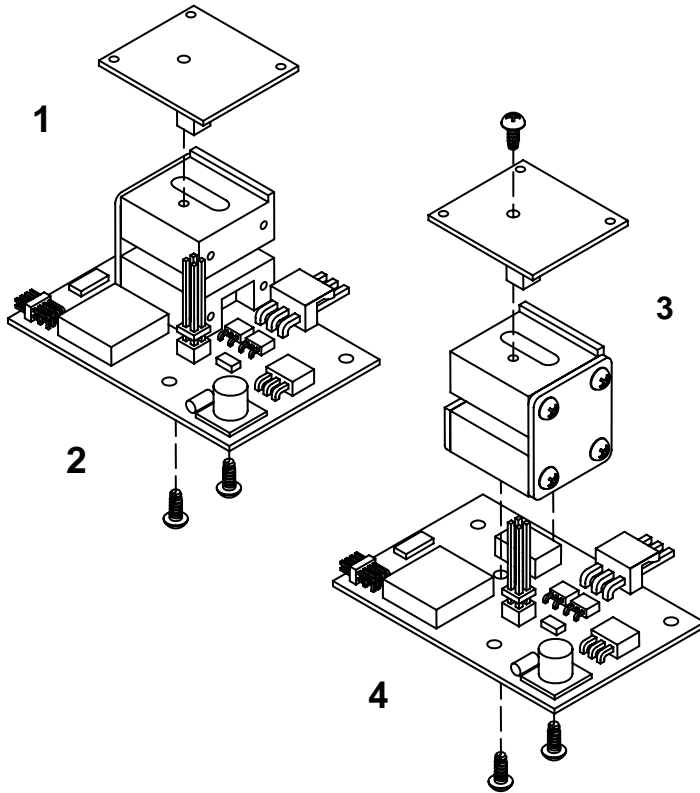
IF YOU ARE NOT A QUALIFIED TECHNICIAN, PLEASE MAKE NO ADJUSTMENTS TO ANYTHING YOU MAY READ ABOUT IN THESE ADOBE MANUAL DOWNLOADS.

WWW.FILM-TECH.COM

SCDC PAY-OUT & REWIND BOARD CONVERSION

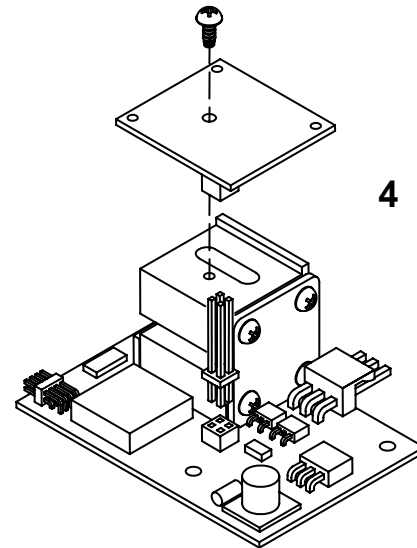
PRODUCT INFORMATION BULLETIN #7194

The pay-out and rewind boards used in SCDC platter systems are identical except for the configuration of the house assembly. If a rewind board fails and a replacement board is not available, the pay-out board can be converted by following the steps shown below. The rewind board can also be converted into a pay-out board by reversing the procedure.



1. Remove the screw securing the pay-out cover and remove the cover. **Carefully** pull the cap straight up off of the contacts.

2. Remove the two screws securing the house assembly to the pay-out board and remove the assembly.



3. Remove the screw securing the cap on the rewind board cap and **carefully** pull the cap straight up off of the contacts.

4. Remove the two screws securing the house assembly on the rewind board and remove the assembly. Replace with the house assembly from the pay-out board.

5. **Carefully** install the cap on the house assembly as the contacts are guided into the socket. Secure the cap with the original screw. Slide the contacts up or down until there is a gap of approximately 1/16" between the collar on the contacts and the board socket as shown.

