

Film-Tech

The information contained in this Adobe Acrobat pdf file is provided at your own risk and good judgment.

These manuals are designed to facilitate the exchange of information related to cinema projection and film handling, with no warranties nor obligations from the authors, for qualified field service engineers.

If you are not a qualified technician, please make no adjustments to anything you may read about in these Adobe manual downloads.

www.film-tech.com

DMC PARAMETER SOFTWARE

PRODUCT INFORMATION BULLETIN #4386
DMC PARAMETER SOFTWARE

Table of Contents

Film.Exe	1
2_0287i.Exe (options 4, 5, 6, 7, 8)	2
2_0287i.Exe (option 3)	3
Special Parameters	4

Film.exe Operation

Film.exe will display the arm position, motor speed, and raw light data. This data is displayed with the DMC Card in the normal run mode. (Ver 3 thru. 7)

1. Power up the DMC card in the normal run mode.
2. Insert the 4 pin plug as shown.
3. Start the **film.exe** program.
4. Select the correct serial port.
5. The arm position, motor speed, and raw light data will be displayed as a vertical scroll. As the arm position is moved the data will change in accordance with the charts shown below.

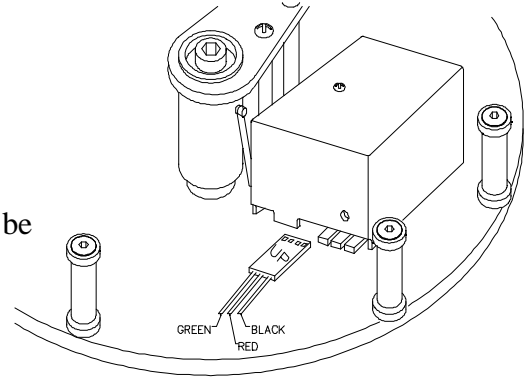


Figure 1

PAYOUT

	ARM POSITION	MOTOR	RAW POSITION
OFF	-128	-128	2000
CENTER	0	STEADY	1000
FULL ON	128	128	160

REWIND

	ARM POSITION	MOTOR	RAW POSITION
OFF	-128	-128	2000
CENTER	0	STEADY	1000
FULL ON	128	128 70 AFTER 10 SEC	160

As long as the arm position reads -2, -1, 0, 1, 2, the motor speed will not change, however an arm position greater than a +2 or less than a -2 will cause the motor speed to increase or decrease respectively.

2_0287i.exe Operation

2_0287i.exe will read or rewrite system parameters with the DMC Card in the calibrate mode. (Ver 3 thru. 7)

WILL YOU BE TESTING OR TROUBLESHOOTING

1 -- FACTORY TESTING ONLY
 2 -- FACTORY TROUBLESHOOTING
 3 -- CHANGE UNIT TYPE
 4 -- CHANGE COM PORT, CURRENTLY COM [1]
 5 -- CHANGE 'P' 'I' 'D' GAIN VALUES
 6 -- RELOAD UNIT VALUES
 7 -- READ 'P' 'I' 'D' GAIN VALUES
 8 -- QUIT

TYPE IN NUMBER OF SELECTION

1. Power up the DMC card in the calibration mode.
2. Insert the 4 pin plug as shown. (Fig. 1, page 1)
3. Start the 2_0287i.exe program.
4. Select the correct serial port, use option #4 (CHANGE COM PORT CURRENTLY COM [1])
5. Select option #7 (READ 'P' 'I' 'D' GAIN VALUES)
6. Compare these values to the chart below. If the DMC card values do not match the chart below it will be necessary to rewrite the parameters.
7. If you have a DMC card Ver 3 thru 5, use option #5 to (CHANGE 'P' 'I' 'D' GAIN VALUES)
 If you have a DMC card Ver 6 or 7, use option #3 to (CHANGE UNIT TYPE) page 3.
Note: Hitting enter when it asks you which value you want will enter the current value.
 To change a value you must type in the value and then enter. After the last value has been entered, the corrected values will be displayed. You may also re select option #7 to verify that the correct parameters have been installed.
8. If you have a DMC card Ver 6 or 7 select option #6 (RELOAD UNIT VALUES)
Note: Reads the unit's type and reloads the correct values. You may also re select option #7 to verify that the correct parameters have been installed.
9. Exit program, use option #8 (QUIT)
10. After exiting the 2_0287i.exe program, the DMC card must be recalibrated.

PAYOUT	VER	VER	VER
	7, 6	5, 4	3
CURRENT LOW	0	0	0
CURRENT HIGH	0	0	0
CURRENT DIVIDER	0	0	0
CURRENT PROPORTIONAL	100	150	120
CURRENT INTEGREL	130	130	110
CURRENT DIFFERENTIAL	70	70	70
CURRENT LIGHT SO	1	1	1
CURRENT LIGHT S1	1	1	1
CURRENT LIGHT S2	0	0	0
CURRENT LIGHT S3	1	1	1
CURRENT P TERM	1000	1000	1000
CURRENT I TERM	1000	1000	1000
CURRENT D TERM	2	2	2
NEW D	0	0	0
NEW D MUL	1	1	1

REWIND	VER	VER	VER
	7, 6	5, 4	3
CURRENT LOW	0	0	0
CURRENT HIGH	0	0	0
CURRENT DIVIDER	0	0	0
CURRENT PROPORTIONAL	25	35	35
CURRENT INTEGREL	20	20	20
CURRENT DIFFERENTIAL	170	255	255
CURRENT LIGHT SO	1	1	1
CURRENT LIGHT S1	1	1	1
CURRENT LIGHT S2	0	1	1
CURRENT LIGHT S3	1	0	0
CURRENT P TERM	100	100	100
CURRENT I TERM	100	100	100
CURRENT D TERM	2	2	2
NEW D	0	0	0
NEW D MUL	2	2	2

2_0287i.exe Option #3

2_0287i.exe Option 3 will read the DMC card and display the DMC card's current type. This option also allows you to select one of three types and the system parameters will then be downloaded for the type selected. This option requires a version 6 or 7 DMC card and it must be in the calibration mode.

1. Complete steps 1 thru 4 on page 2.
2. Select option **#3 (CHANGE UNIT TYPE)**
When this screen appears press any key to continue.

CONNECT THE D&M FILM PLATTER
COMPUTER BOARD TO TESTER

ILLINI PART NO. 002-0287-AO1

PRESS ANY KEY WHEN READY

3. The software will read the DMC card type and report back:

SELECT WHAT TYPE OF UNIT TO MAKE THIS

THIS UNIT IS A (PAYOUT)

1...PAYOUT COMPUTER
2...REWIND COMPUTER
3...LOOP COMPUTER

- A. Key in #1 to make it a payout DMC card
- B. Key in #2 to make it a rewind DMC card
- C. Key in #3 to make it a loop payout DMC card

4. The software will read the DMC card type and report back:

THIS UNIT IS A (PAYOUT)

1- CHANGE ANOTHER UNIT
2- RETURN TO MAIN MENU

5. Exit program, use option **#8 (QUIT)**
6. After exiting the **2_0287i.exe** program, the DMC card must be recalibrated.
7. *Note:* If a DMC card is converted from a payout to a rewind or vice versa, you must change the lens mount.

Loop Ver 6 & 7 and High Speed
DMC Payout card parameters

Ver 7 High Speed DMC

<i>PAYOUT</i>	LOOP	HIGH SPD
	VER 6,7	VER 7
CURRENT LOW	0	0
CURRENT HIGH	0	0
CURRENT DIVIDER	0	0
CURRENT PROPORTIONAL	35	170
CURRENT INTEGREL	130	130
CURRENT DIFFERENTIAL	10	70
CURRENT LIGHT S0	1	1
CURRENT LIGHT S1	1	1
CURRENT LIGHT S2	0	0
CURRENT LIGHT S3	1	1
CURRENT P TERM	1000	1000
CURRENT I TERM	1000	1000
CURRENT D TERM	2	2
NEW D	0	0
NEW D MUL.	1	1

<i>REWIND</i>	HIGH SPD
	VER 7
CURRENT LOW	0
CURRENT HIGH	0
CURRENT DIVIDER	0
CURRENT PROPORTIONAL	35
CURRENT INTEGREL	20
CURRENT DIFFERENTIAL	170
CURRENT LIGHT S0	1
CURRENT LIGHT S1	1
CURRENT LIGHT S2	0
CURRENT LIGHT S3	1
CURRENT P TERM	100
CURRENT I TERM	100
CURRENT D TERM	2
NEW D	0
NEW D MUL.	2

Dates of issue for DMC cards

DATES ISSUED	
VERSION 3	12/13/95
VERSION 4	12/22/95
VERSION 5	6/20/96
VERSION 6	1/31/97
VERSION 7	8/1/97
VERSION 7 HS	5/15/98