

# Film-Tech

The information contained in this Adobe Acrobat pdf file is provided at your own risk and good judgment.

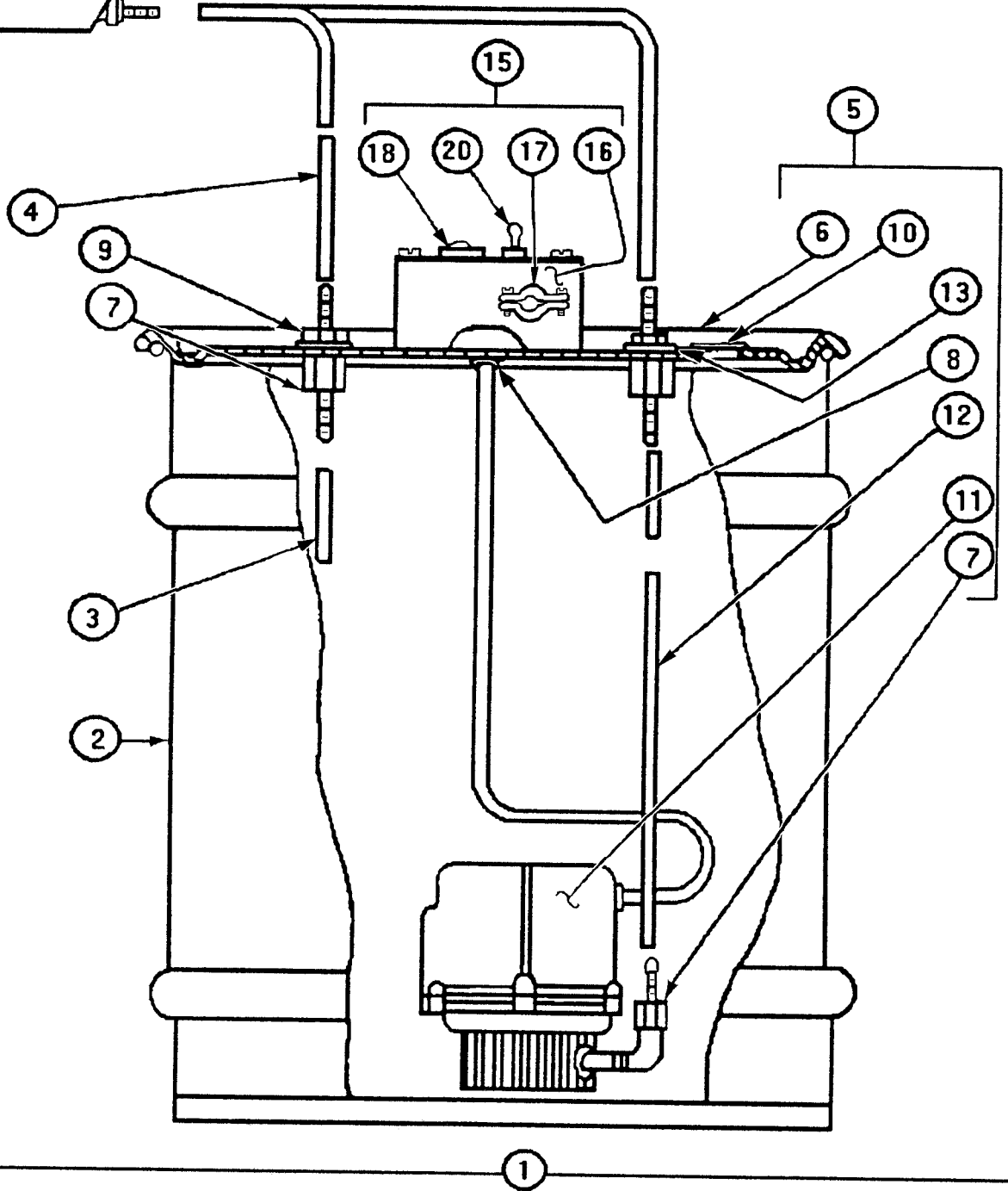
These manuals are designed to facilitate the exchange of information related to cinema projection and film handling, with no warranties nor obligations from the authors, for qualified field service engineers.

If you are not a qualified technician, please make no adjustments to anything you may read about in these Adobe manual downloads.

[www.film-tech.com](http://www.film-tech.com)

**WATER RECIRCULATOR**  
C8-T-360 (60 Hz.)  
C9-T-360 (50 Hz.)

PROJECTOR



**PARTS LIST**  
Water ReCirculator Assembly

<u>Item</u>	<u>Part No.</u>	<u>Description</u>
1	82-70006	Complete Assembly (120 V.AC, 60 Hz.)
1	82-70007	Complete Assembly (230 V.AC, 50 Hz.)
2	DR-0107	Water Drum, 12 gal. capacity (81-98004)
3	TU-0370	Return Tube
4	TU-0371	Water Tube, 2 ft. Pieces (2 req'd.)
5	C8-T-364	Drum Cover & Pump Assembly (60 Hz.)
6	CR-0779	Drum Cover
7	CN-0894	Female Connector
8	GM-0079	Wire Grommet, Pump Cover
9	81-20001	Male Connector (2 req'd.)
10	PG-0206	Plug Button
11	PM-1053	Pump Motor, 120 V.AC, 60 Hz.
11	PM-1066	Pump Motor, 230 V.AC, 50 Hz.
12	TU-0372	Tube, Water Pump
13	WA-0139	Gland Nut Washer
14	WI-0273	Connecting Wire, Lamp & Switch
15	C8-T-365	Control Box Assembly
16	BX-1129	Switch Box
17	CN-0708	Strain Relief Cable Clamp
18	LT-0120	Pilot Light, 120 V.AC
18	61-30001	Pilot Light, 230 V.AC
19	PE-1043	Name Plate
20	SW-2467	Toggle Switch
-	81-98005	Locking Ring, Drum Cover (not shown)

Fluid level must cover submersible pump; use 4:1 to 8:1 ratio of *distilled* water mixed with all-season automotive antifreeze.