

# Film-Tech

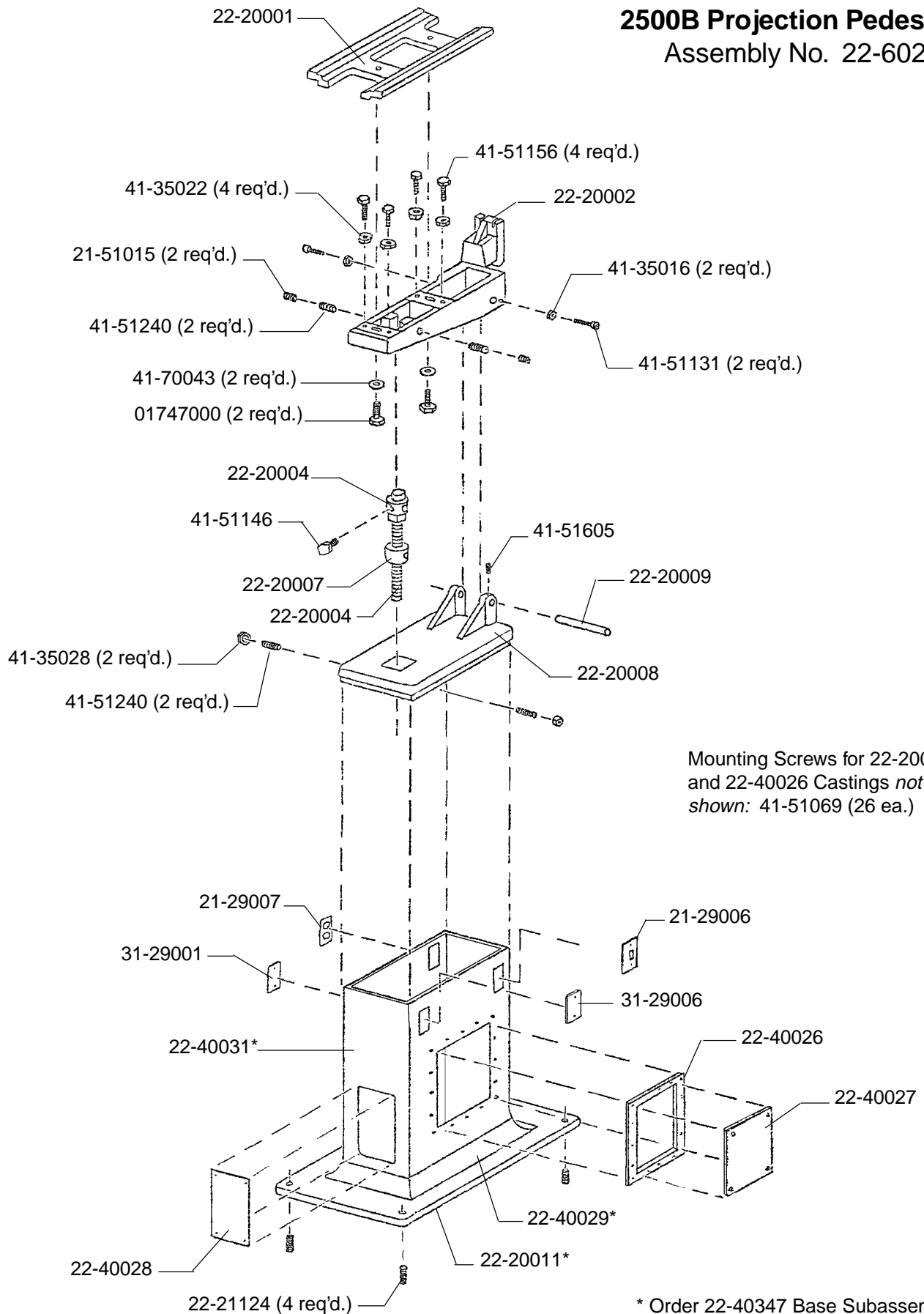
The information contained in this Adobe Acrobat pdf file is provided at your own risk and good judgment.

These manuals are designed to facilitate the exchange of information related to cinema projection and film handling, with no warranties nor obligations from the authors, for qualified field service engineers.

If you are not a qualified technician, please make no adjustments to anything you may read about in these Adobe manual downloads.

[www.film-tech.com](http://www.film-tech.com)

# 2500B Projection Pedestal Assembly No. 22-60252



Optional 3500-E Exciter Lamp Power Supply may replace 22-20028 Cover.

## 2500B Projection Pedestal

Assembly No. 22-60252

### Parts List

01747000	Screw, 3/8-16 x 3" Hex Head
21-29006	Cover, Switch
21-29007	Cover, Duplex Receptacle
21-51015	Set Screw, 5/8-11 x 1/2" Slot Head
22-20001	Lamphouse Carriage Casting
22-20002	Overarm Casting
22-20004	Elevation Screw Assembly
22-20007	Adjusting Collar
22-20008	Table & Pivot Bracket Casting
22-20009	Overarm Pivot Pin
22-20011	Base Plate *
22-40026	Frame Casting, Access Cover
22-40027	Side Cover Plate
22-40028	Rear Cover Plate
22-40029	Skirt *
22-40031	Stand *
22-40347	Base Subassembly
31-29006	Cover, Blank
41-35016	Hex Nut, 1/4-20
41-35022	Jam Nut, 7/16-14 Hex
41-35028	Jam Nut, 5/8-11 Hex
41-51069	Screw, 8-32 x 1/2" Self-Tapping
41-51131	Screw, 1/4-20 x 1-1/2" Fillister Head
41-51146	Screw, 3/8-16 x 3/4" Hex Head
41-51156	Screw, 7/16-14 x 1-1/2" Hex Head
41-51240	Set Screw, 5/8-11 x 1-3/4" Socket Head
41-51605	Set Screw, 1/4-20 x 1/2" Slot Head
41-70043	Flat Washer, 3/8"
*	Order 22-40347 Base