

Film-Tech

The information contained in this Adobe Acrobat pdf file is provided at your own risk and good judgment.

These manuals are designed to facilitate the exchange of information related to cinema projection and film handling, with no warranties nor obligations from the authors, for qualified field service engineers.

If you are not a qualified technician, please make no adjustments to anything you may read about in these Adobe manual downloads.

www.film-tech.com

Simplex[®] 35

PROJECTOR MECHANISM

PARTS CATALOGUE

Rev. September 1997



**STRONG
INTERNATIONAL**

a division of Ballantyne of Omaha, Inc.

4350 McKinley Street

Omaha, Nebraska 68112 USA

Tel 402/453-4444 • Fax 402/453-7238

SIMPLEX 35 PROJECTOR MECHANISM PARTS CATALOGUE

Table of Contents

SECTION I

	<u>Page No.</u>
Film Compartment Door Assembly, G-2168	1-0
Curved Film Trap Assembly, G-2613	1-2
Aperture Plates	1-2
Curved Film Gate Assembly, G-4318	1-4
Framing Shaft & Idler Gear Assembly	1-5
Film Gate Carriage & Opening Mechanism	1-6
Fire Shutter & Framing Light	1-8
Heat Shield & Changeover Douser	1-10
Horizontal Main Drive Assembly	1-12
Intermittent Movement Assembly, G-4312	1-13
Vertical Shaft Assembly, G-1801	1-14
Holdback (Lower) Sprocket & Pad Roller Assembly, G-1809	1-15
Main Frame & Lens Barrel Assembly	1-16
Framing Cam & Oil Gauge	1-18
Oil Pump Assembly, G-1822	1-20
Shutter & Framing Assembly, G-1815	1-22
Feed (Upper) Sprocket & Pad Roller Assembly	1-24
Gear Compartment Cover Assembly	1-26
Shutter Guards & Lower Rear Cover	1-27

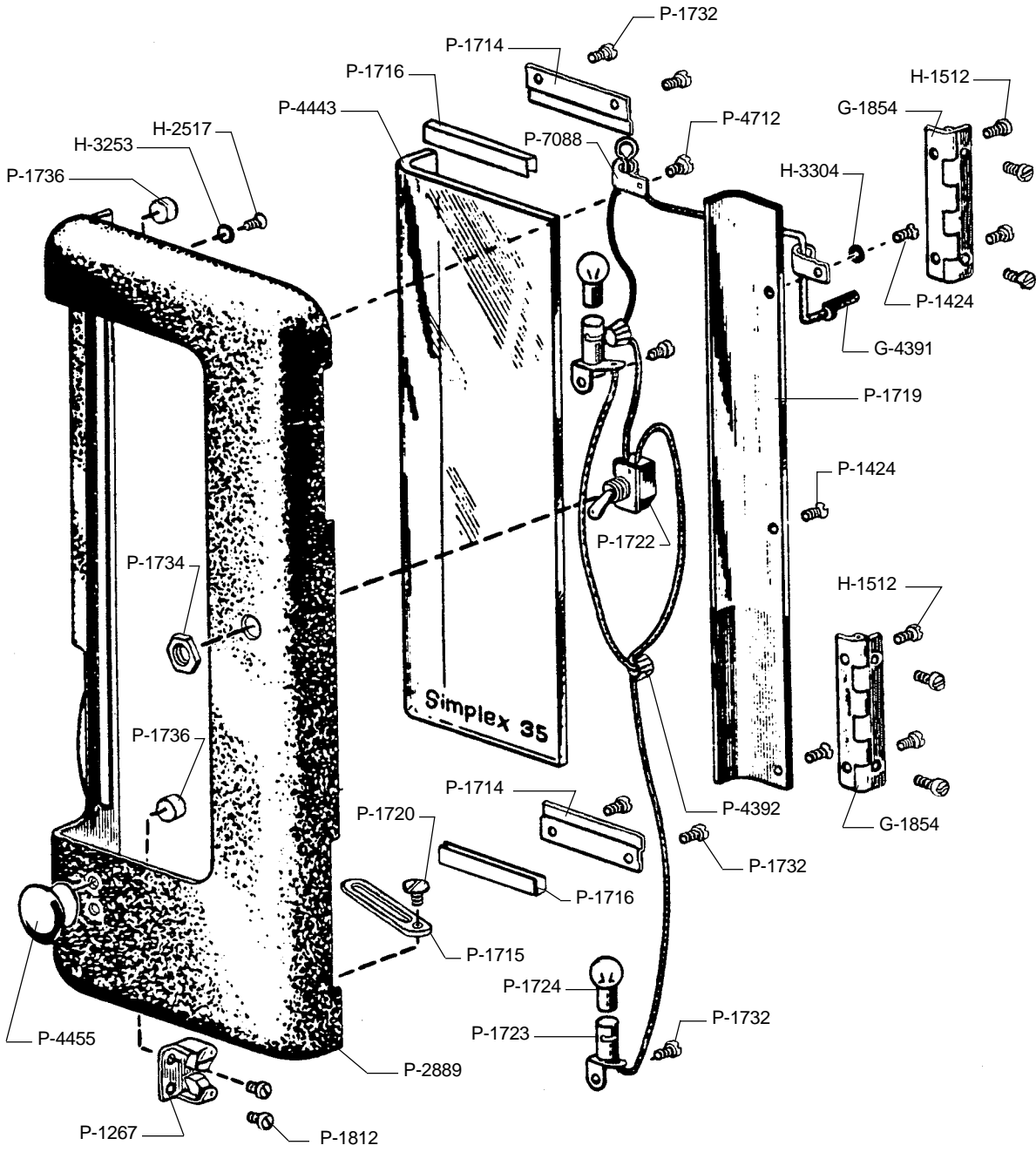
SECTION II

Drive Kit for Simplex Soundheads (Obsolete Models)	2-1
Drive Kit for (Obsolete) RCA Soundheads	2-1
Lens Adapter Assembly, G-2156	2-2
Picture Changeover Assembly, G-2090 & G-2091 (Essanay)	2-3
Picture Changeover Assembly, G-7927 (Strong)	2-3b
Film Trap Heat Shield, Air/Water Cooled	2-4
Film Gate, Studio Type, (3) Shoes; G-2411	2-5
Film Gate, Studio Type, (2) Shoes; G-2409	2-7
Film Gate, Studio Type, Reversing; G-10013	2-9
Film Gate, Studio Type, Reversing; G-10051	2-11
Film Trap, Straight Type; G-2448	2-13

STRONG INTERNATIONAL
a division of Ballantyne of Omaha, Inc.
Engineering/Sales Dept.
September 18, 1997

SECTION I

G-2613 FILM COMPARTMENT DOOR

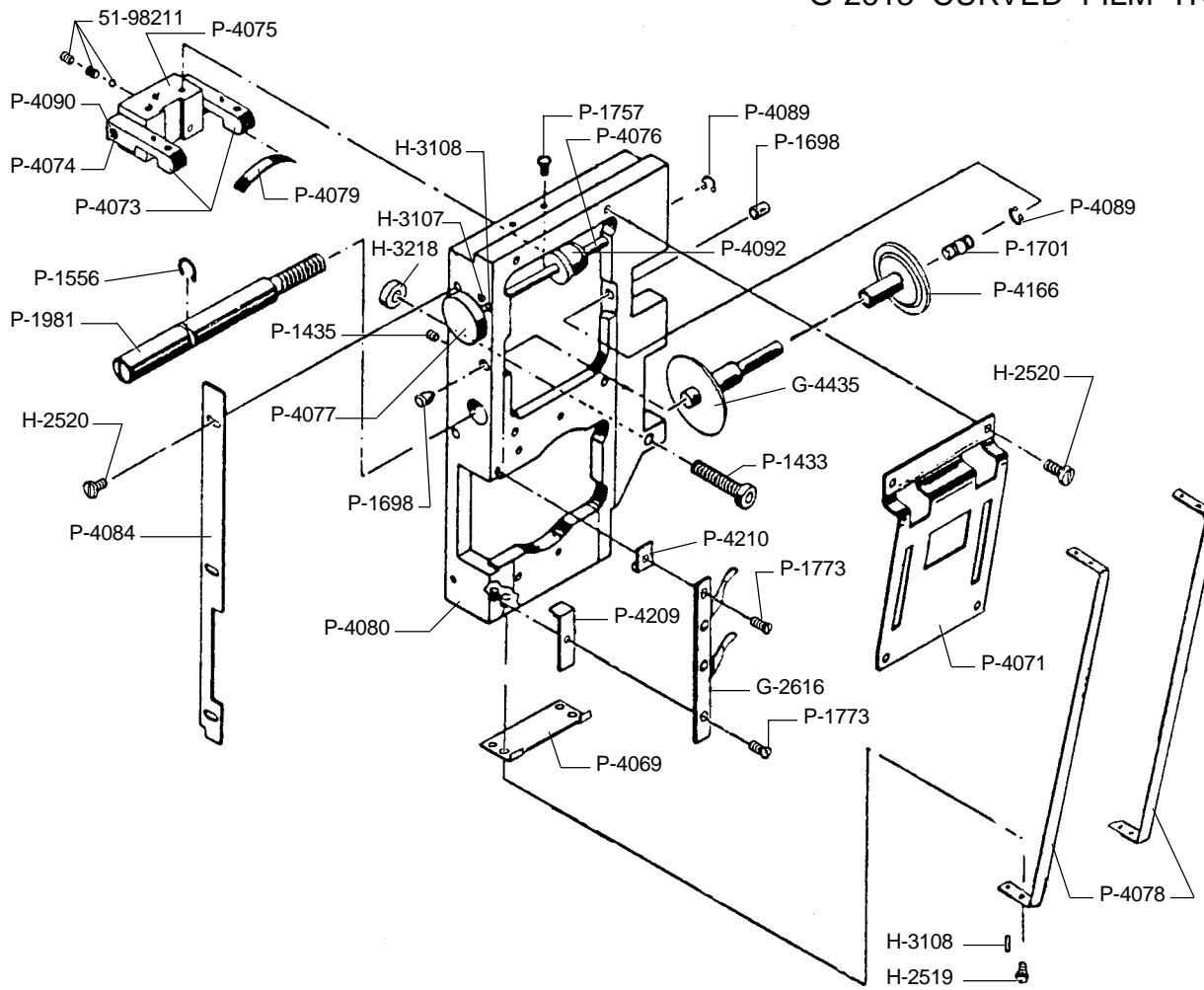


FILM COMPARTMENT DOOR

Parts List

G-1854	Hinge & Pin Assembly (2 req'd.)
G-4391	Hinge Wire & Connector Assembly
H-1512	Hinge Fastening Screw, 10-24 x 5/16" (01566000)
H-2517	Screw, 6-32 x 3/8" (41-51041)
H-3253	Hex Nut, 6-32 (41-35005)
H-3304	Clamp Washer (41-70030)
P-1267	Door Catch
P-1424	Threading Light Cover Fastening Screw (3 req'd.)
P-1714	Glass Retaining Clip (2 req'd.)
P-1715	Door Stay
P-1716	Window Glass Mount, Rubber
P-1719	Threading Light Cover
P-1720	Shoulder Screw, Door Stay
P-1722	Threading Light Switch
P-1723	Threading Light Socket (2 req'd.)
P-1724	Bulb, Threading Light (2 req'd.)
P-1732	Fastening Screw
P-1734	Switch Retaining Nut
P-1736	Door Bumper (2 req'd.)
P-1812	Fastening Screw (2 req'd.)
P-2874	Knob (below Serial No. 14,000)
P-2889	Film Compartment Door Casting
P-4392	Wire Nut (2 req'd.)
P-4443	Window Glass
P-4455	Knob
P-4712	Wire Clamp Screw
P-7088	Cable Clamp (2 req'd.)

G-2613 CURVED FILM TRAP



APERTURE PLATES

are *not* included with G-2613 Film Trap and must be ordered separately.

PART NO.	APERTURE SIZE	FORMAT	RATIO
G-2110	.600 x .800	Flat	1.37:1
G-2302	.412 x .800	Flat	2:1
G-2303	.446 x .800	Flat	1.85:1
G-2304	.471 x .800	Flat	1.75:1
G-2305	.412 x .825	Flat	2:1
G-2306	.446 x .825	Flat	1.85:1
G-2308	.497 x .825	Flat	1.66:1
G-2309	.497 x .800	Flat	1.66:1
G-2412	.715 x .650	Scope*	2:1
G-2414	.650 x .780	Scope**	2:1
G-2436	.712 x .839	Scope**	2.35:1
G-2513	.715 x .715	Scope	2:1
G-2514	.715 x .780	Scope	2.35:1
G-2515	.650 x .650	Scope	2:1
G-2475	Pinhole	(Special Applications)	

* Four Channel Magnetic Soundtrack

** Mag/Optical Soundtrack

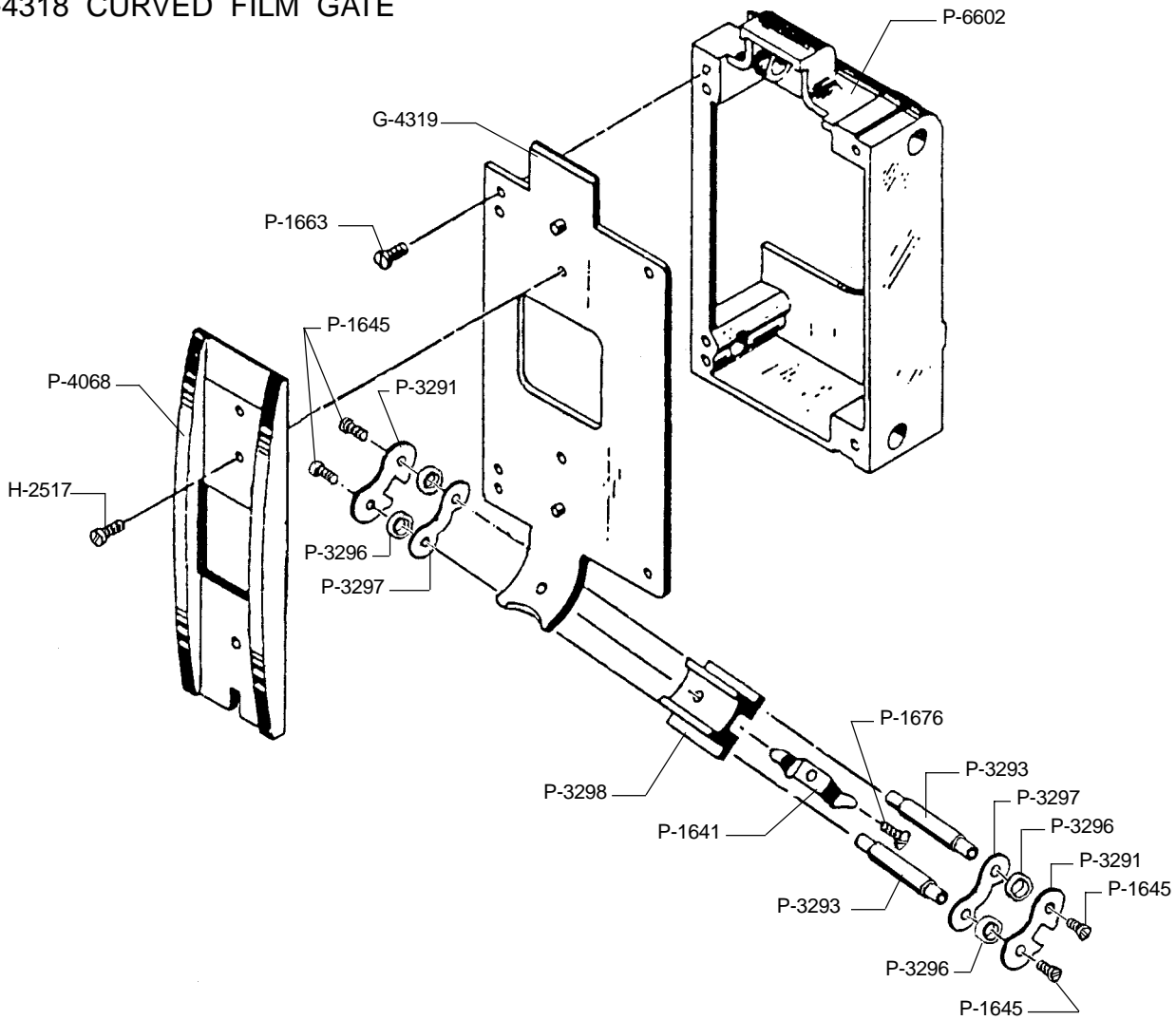
G-2613 CURVED FILM TRAP

Parts List

G-2616	Aperture Plate Tension Spring & Plate
G-4435	Lateral Guide Roller and Shaft Assembly (Fixed Roller)
51-98211	Spring Plunger, Locking
H-2519	Fastening Screw, 2-56 x 3/16" (41-51002)
H-2520	Pan Head Screw, 4-40 x 1/8"
H-3107	Dowel Pin (51-37016)
H-3108	Dowel Pin (51-37015)
H-3218	Hex Nut (41-35012)
P-1433	Gap Adjusting Screw
P-1435	Lateral Guide Roller Pivot Set Screw (2 req'd.)
P-1556	Snap Ring for Captive Screw
P-1698	Lateral Guide Roller Shaft Pivot (2 req'd.)
P-1701	Lateral Guide Roller Compression Spring
P-1757	Pressure Block Fastening Screw (2 req'd.)
P-1773	Fastening Screw, Spring & Plate Assembly
P-1981	Film Trap Mounting Screw, Captive
P-4069	Pressure Strap Support
P-4071	Threading Guide (False Aperture)
P-4073	Pressure Strap Arm (2 req'd.)
P-4074	Pivot Shaft, Pressure Strap Arms
P-4075	Mounting Block, Pressure Strap Arms
P-4076	Camshaft, Strap Tensioner
P-4077	Strap Tensioner Control Knob
P-4078	Pressure Strap (Replace in <i>Matched Pairs</i>)
P-4079	Leaf Spring, Strap Tensioner
P-4080	Film Trap Base Casting
P-4084	Light Shield
P-4089	Snap Ring
P-4090	Snap Ring
P-4092	Pressure Strap Tensioning Cam
P-4166	Lateral Guide Roller, Movable
P-4209	Aperture Plate Guide, Long
P-4210	Aperture Plate Guide, Short

PR1050 Trap: See TU2000E Manual, Parts List
PR1060 & PR2000 Trap: See "Supplemental Parts List" in Instruction Book

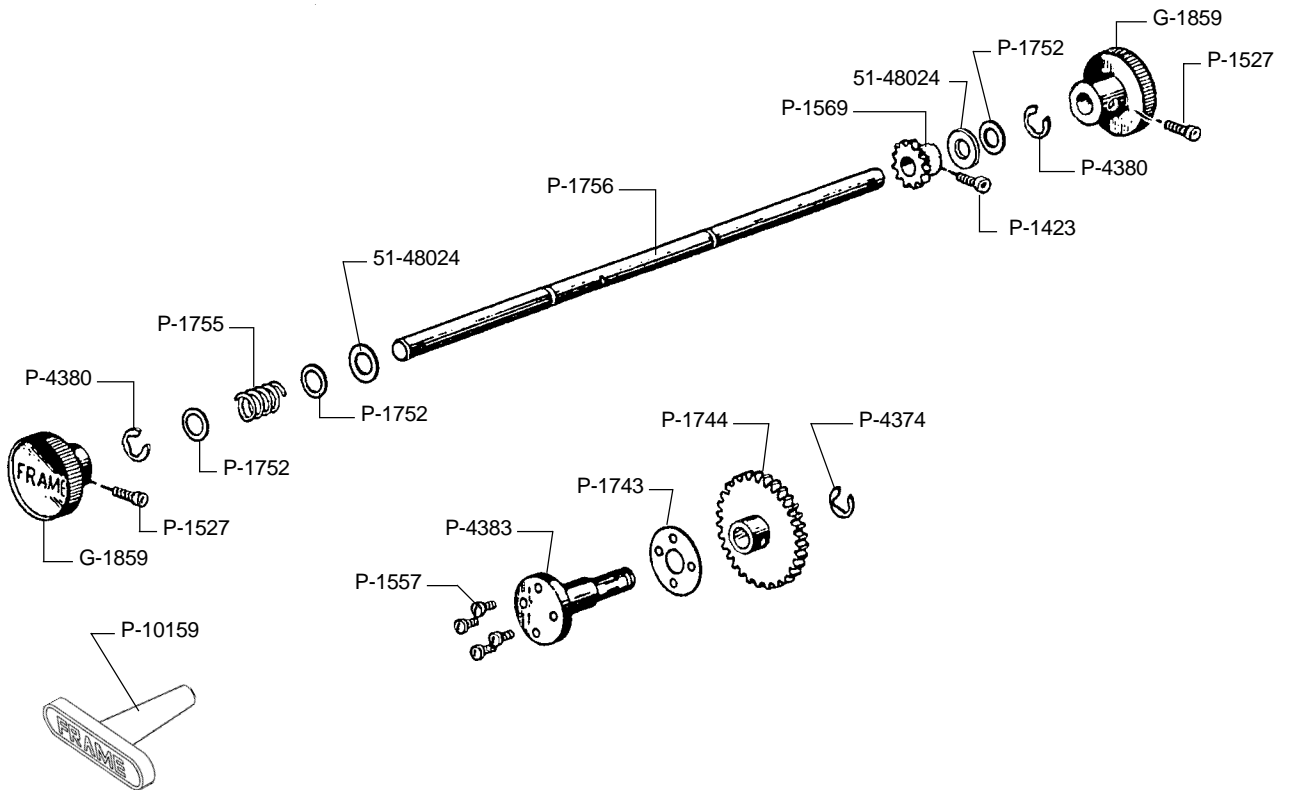
G-4318 CURVED FILM GATE



- | | |
|--------|---|
| G-4319 | Plate & Pin Assembly, Pressure Pad |
| G-2350 | Intermittent Shoe Assembly (less Block & Spring) |
| H-2517 | Screw, 6-32 x 3/8" (41-51041) |
| P-1641 | Tension Shoe Pressure Spring |
| P-1645 | Fastening Screw, Tension Shoes |
| P-1663 | Fillister Head Mounting Screw, Special (4 req'd.) |
| P-1676 | Fastening Screw, Spring |
| P-3291 | Intermittent Sprocket Shoe, Outer (2 req'd.) |
| P-3293 | Intermittent Shoe Mounting Stud (2 req'd.) |
| P-3296 | Intermittent Shoe Spacer (4 req'd.) |
| P-3297 | Intermittent Sprocket Shoe, Inner (2 req'd.) |
| P-3298 | Spacer Block, Tension Shoes |
| P-4068 | Pressure Pad Runner |
| P-6602 | Film Gate Cover Casting |

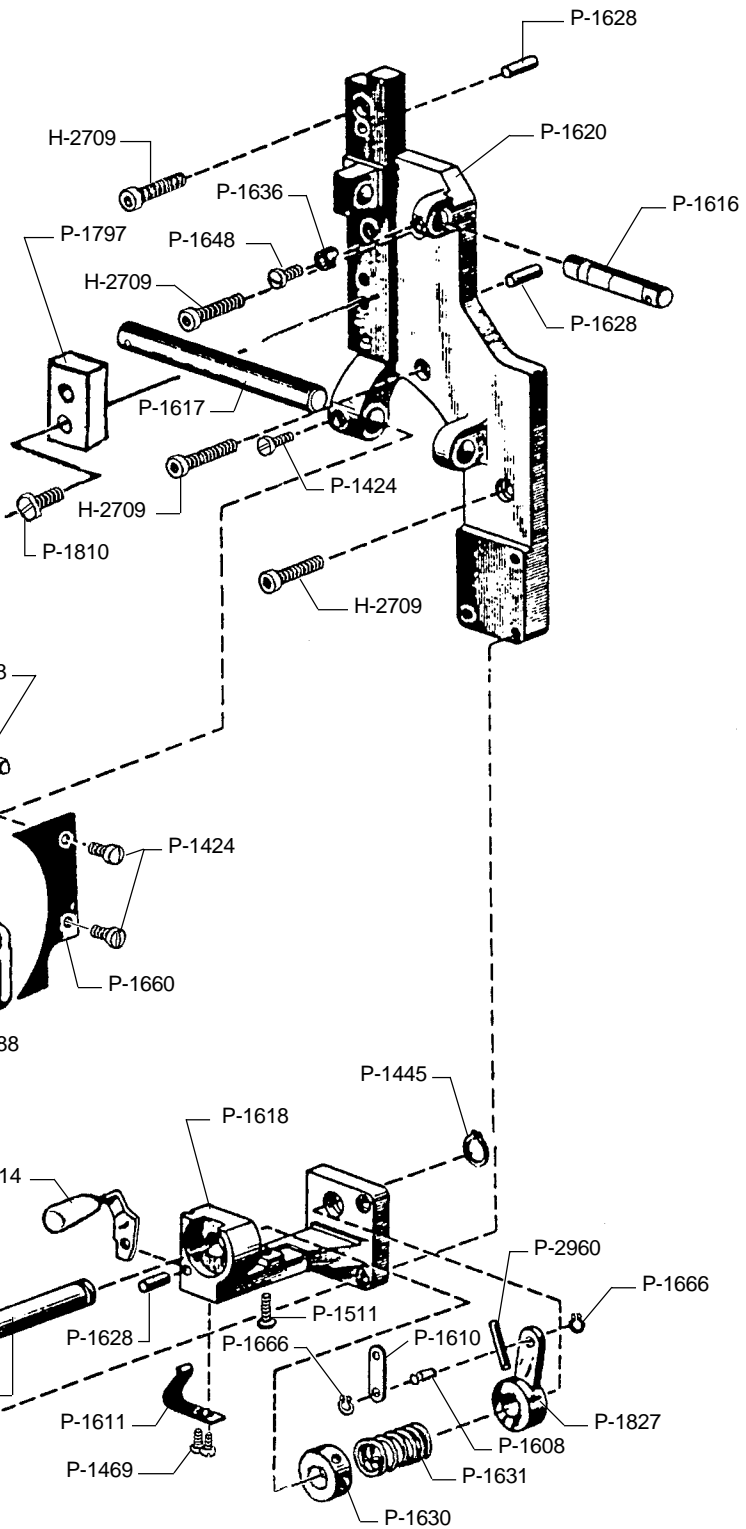
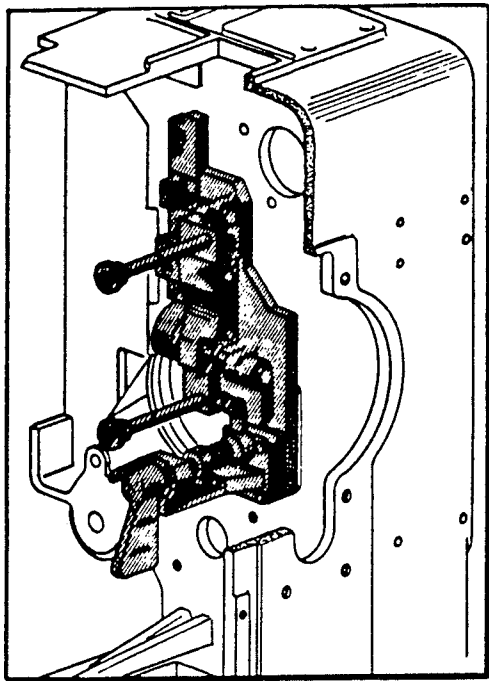
PR1060 & PR2000 Gate: See "Supplemental Parts List" in Instruction Manual

FRAMING SHAFT ASSEMBLY



G-1859	Framing Knob (2 req'd.)
51-48024	O-Ring, Oil Seal
P-1423	Framing Gear Fastening Screw
P-1527	Collar Fastening Screw, Framing Knob
P-1557	Fastening Screw, Idler Gear Shaft
P-1569	Framing Gear
P-1743	Gasket, Idler Gear Shaft
P-1744	Idler Gear
P-1752	Framing Shaft Friction Disc Washer
P-1754	Framing Shaft Gasket
P-1755	Friction Spring
P-1756	Framing Knob Shaft
P-4374	Snap Ring, Idler Gear
P-4380	Snap Ring, Framing Shaft
P-4383	Idler Gear Shaft
P-10159	Framing "T" Handle (after January 1998)

P-10159 Handle may be used to replace G-1859 Knob if desired; P-1527 Screw mounts either component.

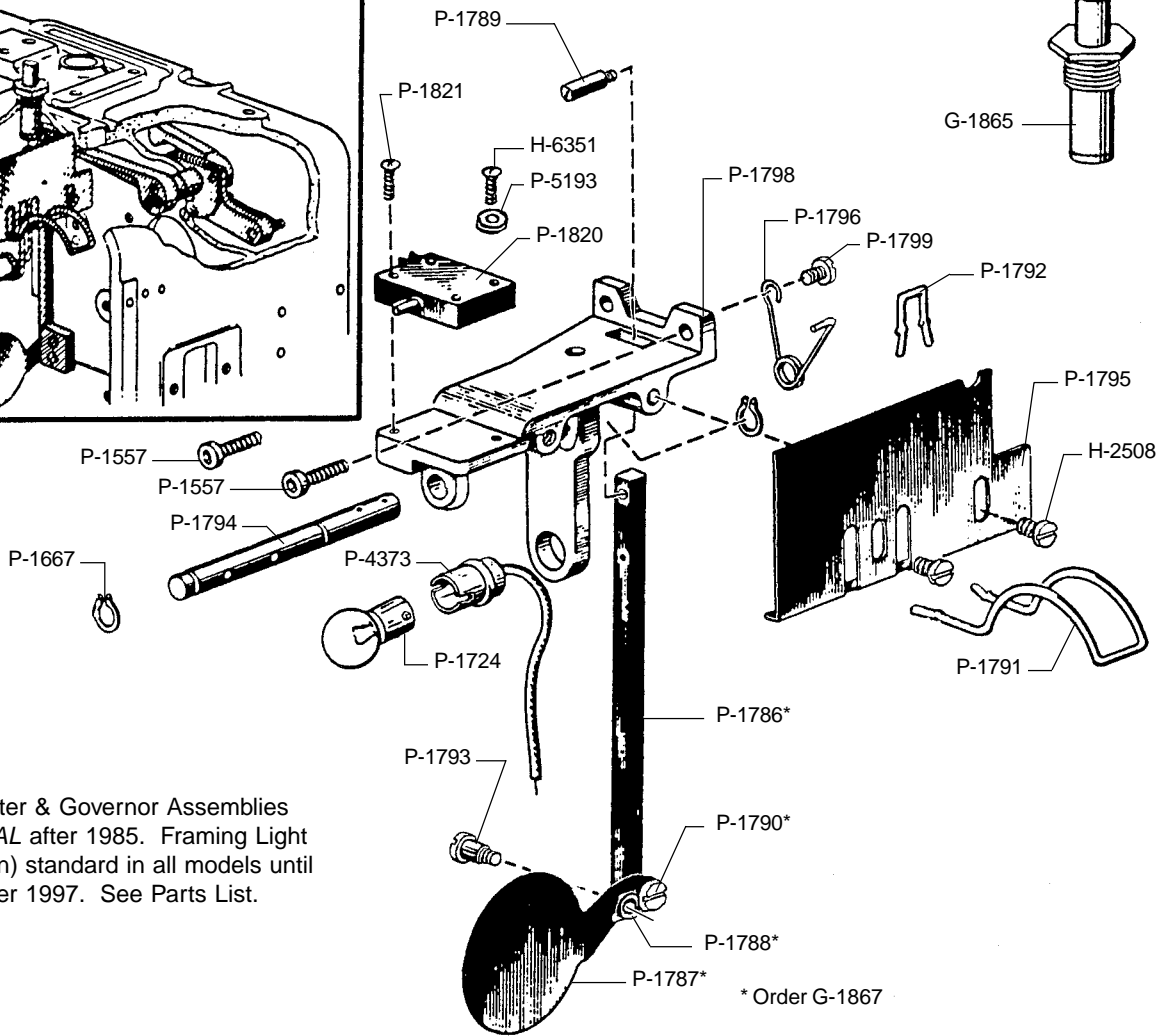
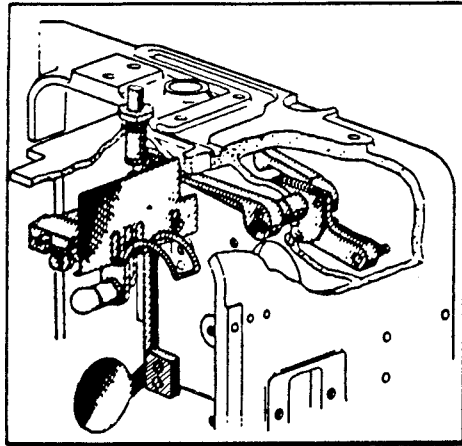


See G-1850 (Parts List)

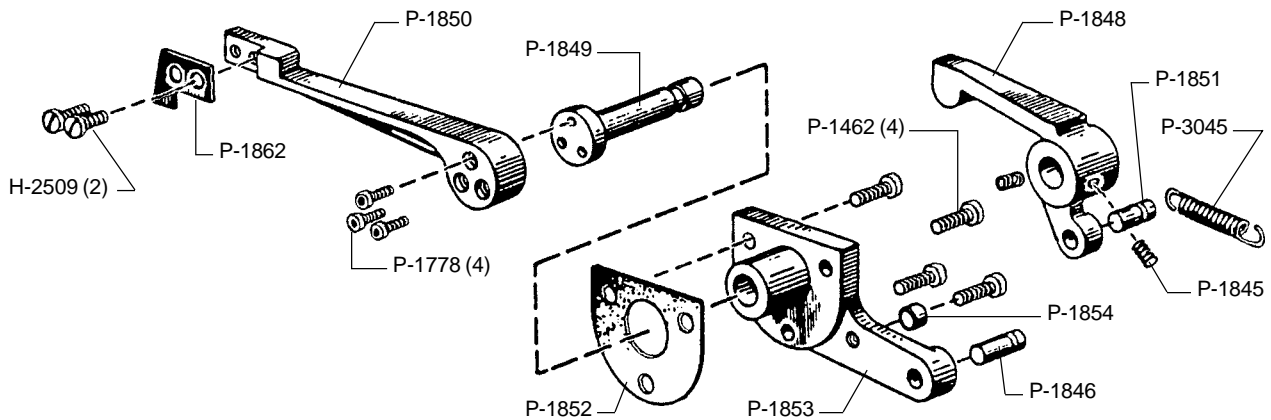
G-1905 GATE CARRIAGE & OPENING MECHANISM

G-1905 FILM GATE CARRIAGE & OPENING MECHANISM
Parts List

G-1614	Gate Release Lever
G-1850	Support Bracket & Studs Assembly Includes: P-1607, P-1621, (2) P-1633, (2) P-2988. Parts P-1621, P-1633 and P-2988 cannot be replaced separately.
G-1863	Operating Lever, Shaft & Collar Includes: G-1843, P-1629, P-1827, and (2) P-2960 which cannot be replaced separately.
H-2709	Support Bracket Fastening Screw (41-51407) Not supplied with G-1905; order separately (4 req'd.).
H-3453	Split Lockwasher, #8
P-1423	Fastening Screw, Lever Mounting Bracket (4 req'd.)
P-1424	Fastening Screw (3 req'd.)
P-1432	Friction Adjusting Screw
P-1445	Snap Ring
P-1469	Fastening Screw, Tension Spring
P-1511	Retaining Screw, Adjusting Collar
P-1607	Collar Link Stud
P-1608	Operating Lever Link Stud
P-1610	Operating Lever Collar Link
P-1611	Release Lever Tension Spring
P-1616	Upper Guide Rod
P-1617	Lower Guide Rod
P-1618	Operating Lever Mounting Bracket
P-1620	Support Bracket
P-1621	Support Bracket (Order G-1850)
P-1628	Pin, Support Bracket (3 req'd.)
P-1629	Lever Shaft (Order G-1863)
P-1630	Spring Tension Adjusting Collar
P-1631	Operating Lever Tension Spring
P-1632	Knurled Nut (2 req'd.)
P-1633	Support Stud (Order G-1850)
P-1636	Upper Guide Rod Clamp
P-1648	Fastening Screw, Upper Guide Rod Clamp
P-1660	Light Shield
P-1666	Snap Ring, Operating Lever Link
P-1797	Block
P-1810	Screw (2 req'd.)
P-1827	Collar Arm (Order G-1863)
P-2960	Collar Pin (Order G-1863)
P-2988	Pin (2 req'd.)



Fire Shutter & Governor Assemblies
OPTIONAL after 1985. Framing Light
 (as shown) standard in all models until
 September 1997. See Parts List.



FIRE SHUTTER & FRAMING LIGHT

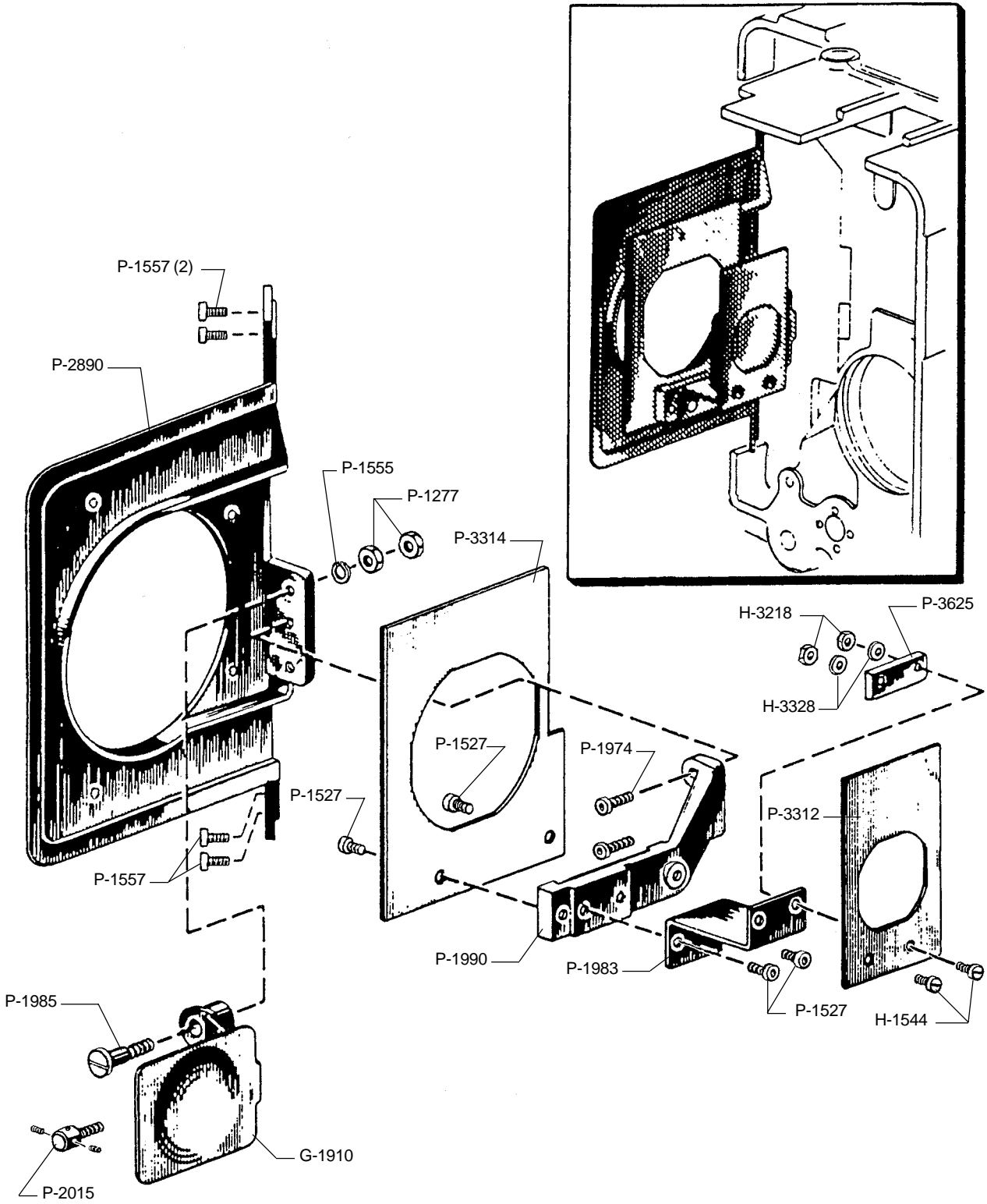
G-1869 FIRE SHUTTER

Parts List

G-1865	Re-Set Button
G-1867	Fire Shutter & Rod Assembly
H-2508	Screw (41-51316) 2 req'd.
H-2509	Screw, 8-32 x 1/4" (00216000)
H-6351	Screw, 2-56 x 1/2" (41-51009)
P-1462	Fastening Screw (4 req'd.)
P-1557	Fastening Screw, Mounting Bracket
P-1667	Snap Ring, Trip Lever Shaft
P-1724*	Bulb, Framing Light, 6-8 Volt
P-1778	Fastening Screw, Operating Arm (3 req'd.)
P-1789	Re-Set Stud
P-1791	Film-Operated Trip Lever
P-1792	Fire Shutter Trip Lever
P-1793	Fire Shutter Pivot Screw
P-1794	Trip Lever Shaft
P-1795	Partition Plate
P-1796	Re-Set Spring
P-1799	Fastening Screw, Re-Set Spring
P-1820	Framing Light Switch, S.P.S.T.
51-61010	Framing Light Switch, Turret Models (not shown)
P-1821	Fastening Screw, Light Switch
P-1845	Set Screw, Governor-Operated Arm
P-1846	Support Bracket Stud
P-1848	Governor-Operated Arm
P-1849	Shaft, Operating Arm
P-1850	Operating Arm
P-1851	Governor-Operated Arm Stud
P-1852	Support Bracket Gasket
P-1853	Support Bracket
P-1854	Adjusting Cam
P-1862	Operating Arm Adjusting Plate
P-3045	Spring, Governor-Operated Arm
P-4373*	Framing Light Socket
P-5193	Washer
P-6574	Mounting Bracket

* Replaced by 52-70075 L.E.D. Framing Light Assembly in September 1997 on Auto Aperture units (PR1060, PR2000) with 52-60099 Trap. 52-70075 powered through 81-64003 Transformer (12 V.DC).

HEAT SHIELD & CHANGEOVER DOUSER

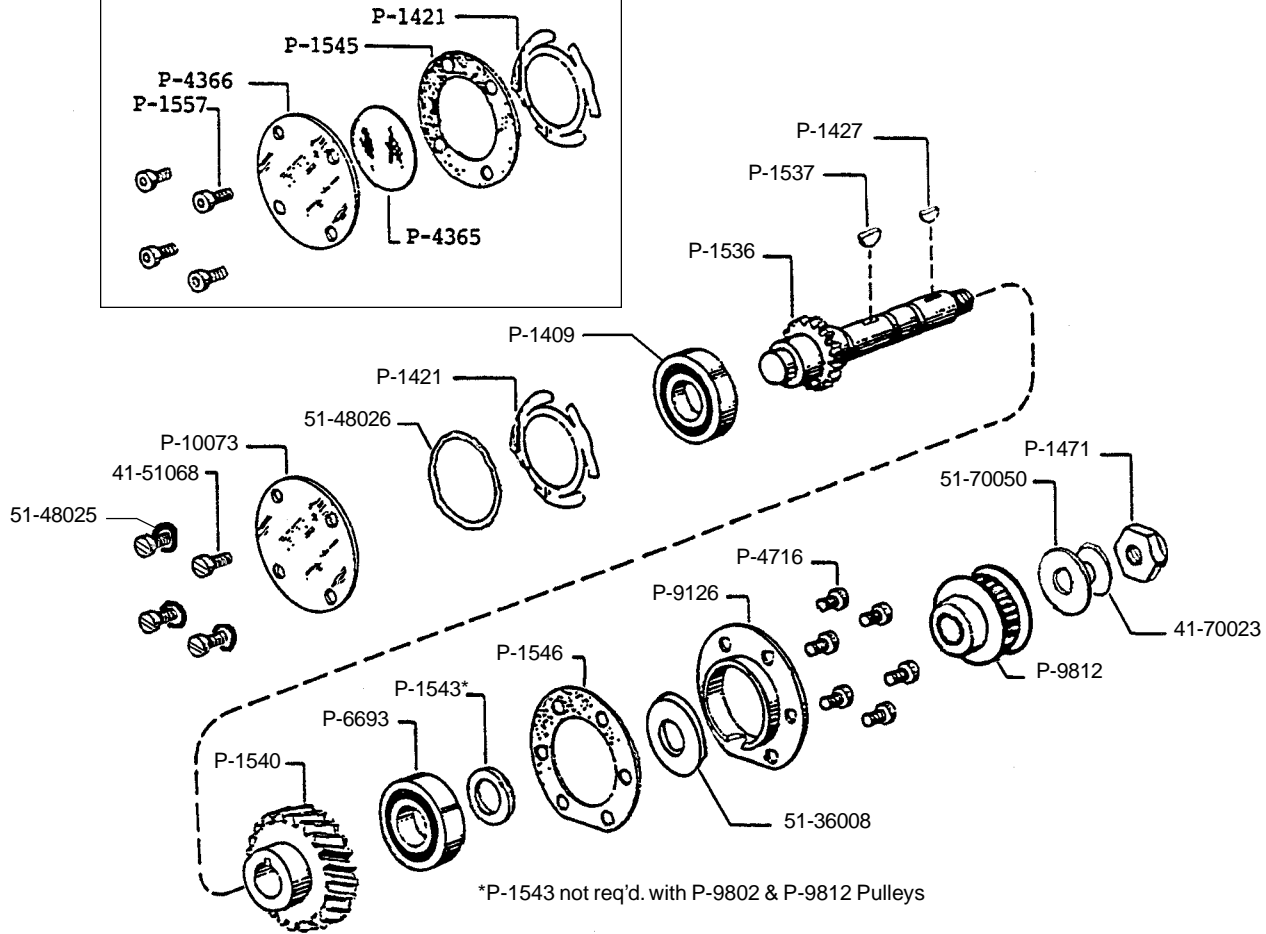


HEAT SHIELD & DOUSER
Parts List

G-1910	Douser Plate, Welded Assembly
H-1544	Screw, 10-32 x 5/8" (41-51302)
H-3218	Hex Nut (41-35012)
H-3328	Washer (41-70003)
P-1277	Hex Nut, Pivot Screw (2 req'd.)
P-1527	Screw, Heat Shield Mounting Bracket (4 req'd.)
P-1555	Lockwasher, Pivot Screw
P-1557	Fastening Screw, Rear Cover (4 req'd.)
P-1974	Fastening Screw, Support Bracket (2 req'd.)
P-1983	Front Heat Shield Mounting Bracket
P-1985	Shoulder Screw, Douser Pivot
P-1990	Heat Shield Support Bracket
P-2015	Pivot Clamp & Set Screws, Douser Cable*
P-2890	Rear Cover Casting
P-3312	Front Heat Shield
P-3314	Rear Heat Shield
P-3625	Douser Stop Plate

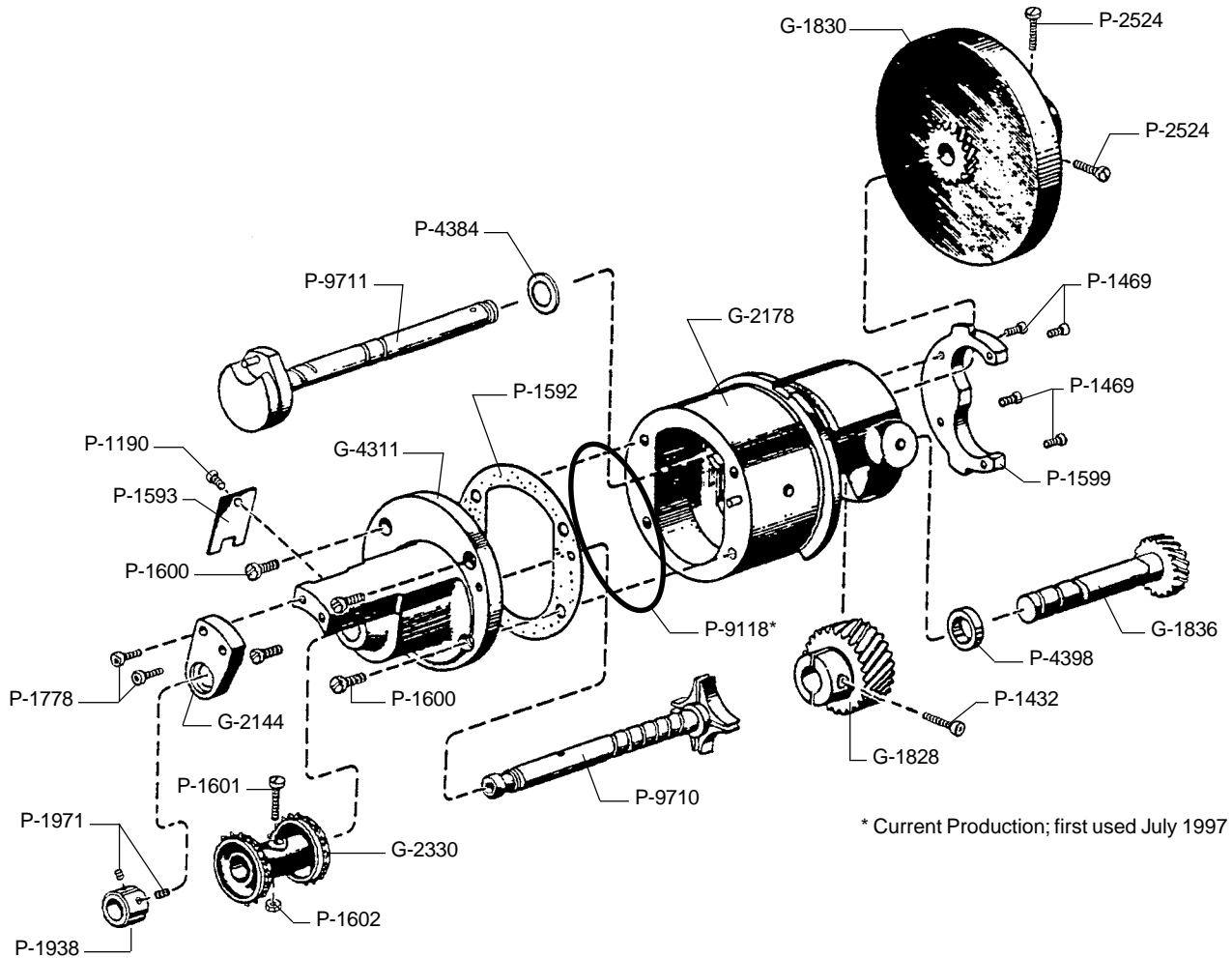
* P-2015 generally supplied with Changeover Device.
See pages 2-3 & 2-3a following.

Before September 1997



HORIZONTAL MAIN DRIVE ASSEMBLY

P-1409	Ball Bearing	P-4716	Retainer Screw (6 req'd.)
P-1421	Spring Washer	P-6693	Ball Bearing
P-1427	Key, Main Drive Pulley	P-9129	Ball Bearing Retainer
P-1471	Hex Nut, NyLock	P-9812	Drive Pulley
P-1536	Main Drive Shaft & Gear	P-10073	Cover Plate
P-1537	Key, Main Drive Gear	41-51068	Screw, Truss Head (4 req'd)
P-1540	Vertical Shaft Drive Gear	41-70023	Steel Washer
P-1543	Thrust Washer (as req'd.)	51-36008	Oil Seal
P-1545	Gasket (before 9-97)	51-48025	O-Ring (4 req'd.)
P-1546	Retainer Gasket	51-48026	O-Ring, Large
P-1557	Screw, Socket Head	51-70050	Teflon Washer
P-4365	Spacer Disc (before 9-97)	NOTE: P-10073 & 51-48026	
P-4366	Cover Plate (before 9-97)	replace P-4366, P-4365, & P-1545	



* Current Production; first used July 1997

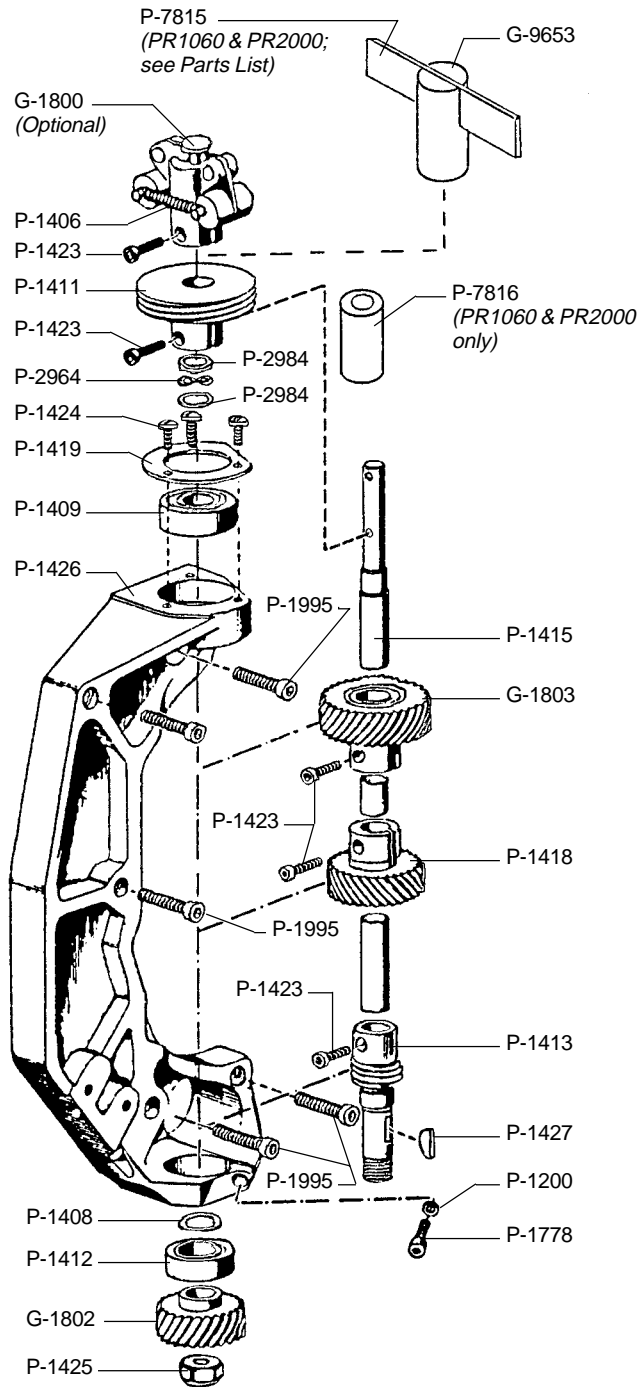
G-4312 INTERMITTENT MOVEMENT ASSEMBLY

G-1828	Main Drive Gear	P-1599	Oil Trap
G-1830	Intermittent Flywheel & Gear	P-1600	Fastening Screw (4 req'd.)
G-1836	Main Drive Shaft & Gear	P-1601	Sprocket Retaining Screw
G-2144	Outboard Bearing Arm	P-1602	Hex Nut, NyLock
G-2178	Intermittent Case & Bearings	P-1778	Mounting Screw, (2 req'd.)
G-2330	Intermittent Sprocket, VKF®	P-1938	Starwheel Shaft Collar
G-4311	Intermittent Cover	P-1971	Collar Set Screw (2 req'd.)
P-1190	Stripper Mounting Screw	P-2524	Flywheel Screw (2 req'd.)
P-1432	Gear Retaining Screw	P-4384	Camshaft Spacer
P-1469	Oil Trap Screw (4 req'd.)	P-4398	Drive Gear Spacer
P-1592	Cover Gasket	P-9118	O-Ring (current production units)
P-1593	Intermittent Film Stripper	P-9710	Starwheel Shaft
		P-9711	Camshaft

ORDER P-9710 & P-9711 IN *MATCHED PAIRS*

Rebuilt Simplex Intermittent Movements are available from the factory under a Repair/Exchange program. Contact an authorized Strong International Dealer.

G-1801 VERTICAL SHAFT ASSEMBLY

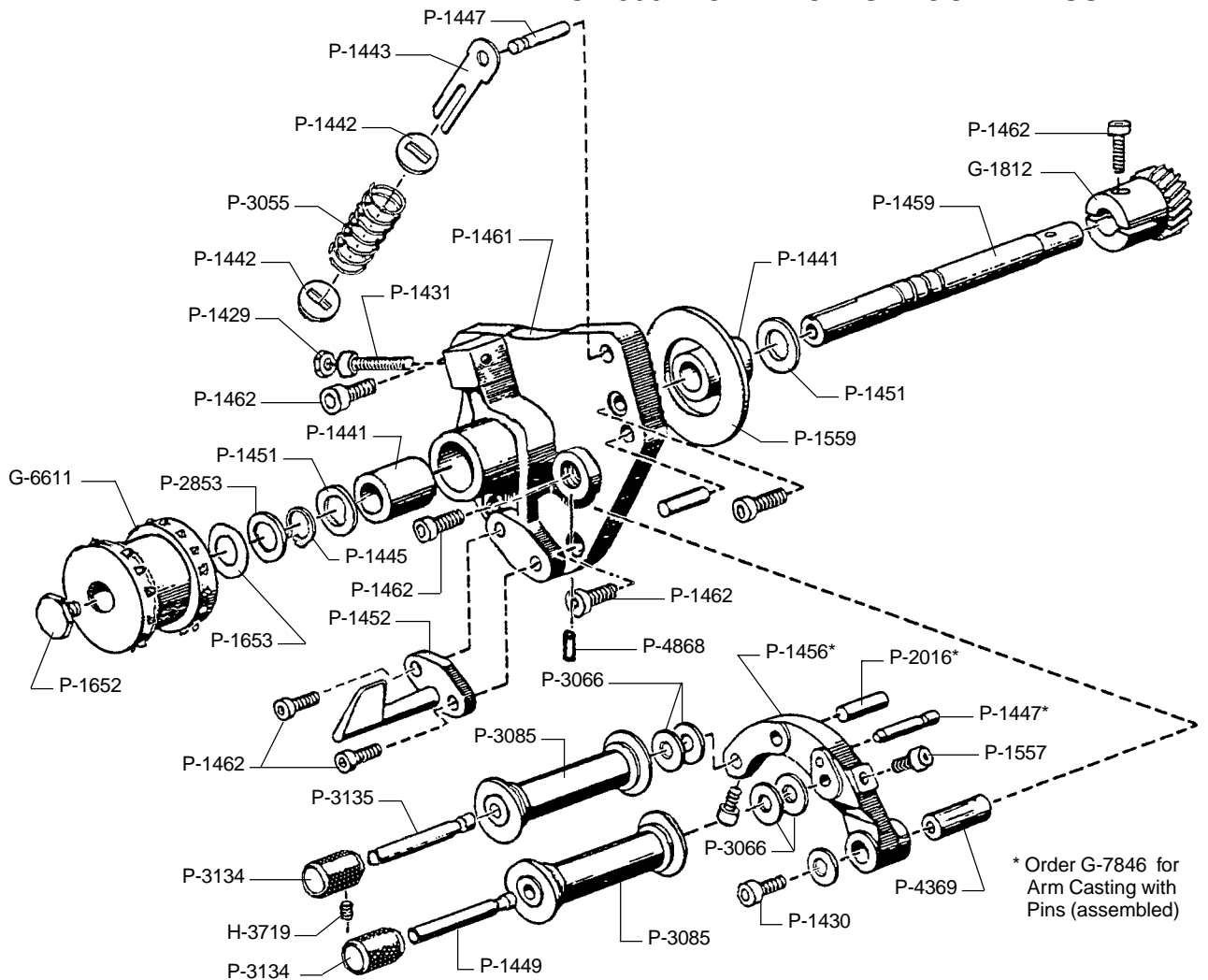


- G-1800 Governor Assembly (*Optional*)
incl. (2) P-1406 Springs
- NOTE: Governor & Fire Shutter Option
not available on PR1060 & PR2000.
- G-1802 Main Drive Gear
- G-1803 Shutter Drive Gear
- G-9653 Oil Slinger Assembly (used in
place of *Optional* Governor)
Oil Slinger Blade P-7815 (for
PR1060 and PR2000) mounts to
P-1411 Gear.

- P-1200 Lockwasher, Clamping Screw
- P-1406 Expansion Spring (2 req'd.)
- P-1408 Bearing Washer
- P-1409 Upper Ball Bearing
- P-1411 Feed Sprocket Drive Gear
PR1060 Oil Slinger: P-7815
- P-1412 Lower Ball Bearing
- P-1413 Holdback Sprocket Drive Gear
- P-1415 Vertical Shaft
- P-1418 Intermittent Drive Gear
- P-1423 Fastening Screw (5 req'd.)
- P-1424 Fastening Screw (3 req'd.)
- P-1425 Nut, Main Drive Gear
- P-1426 Bracket Casting
- P-1427 Key, Main Drive Gear
- P-1778 Clamping Screw
- P-1995 Mounting Screw (5 req'd.)*
- P-2964 Loading Spring
- P-2984 Thrust Washer (2 req'd.)
- P-7815 Oil Slinger, PR1060, PR2000
(NOT ILLUSTRATED; Mounts
to P-1411 Drive Gear)
- P-7816 Gear Spacer, PR1060 and
PR2000 ONLY

* Not Supplied with G-1801

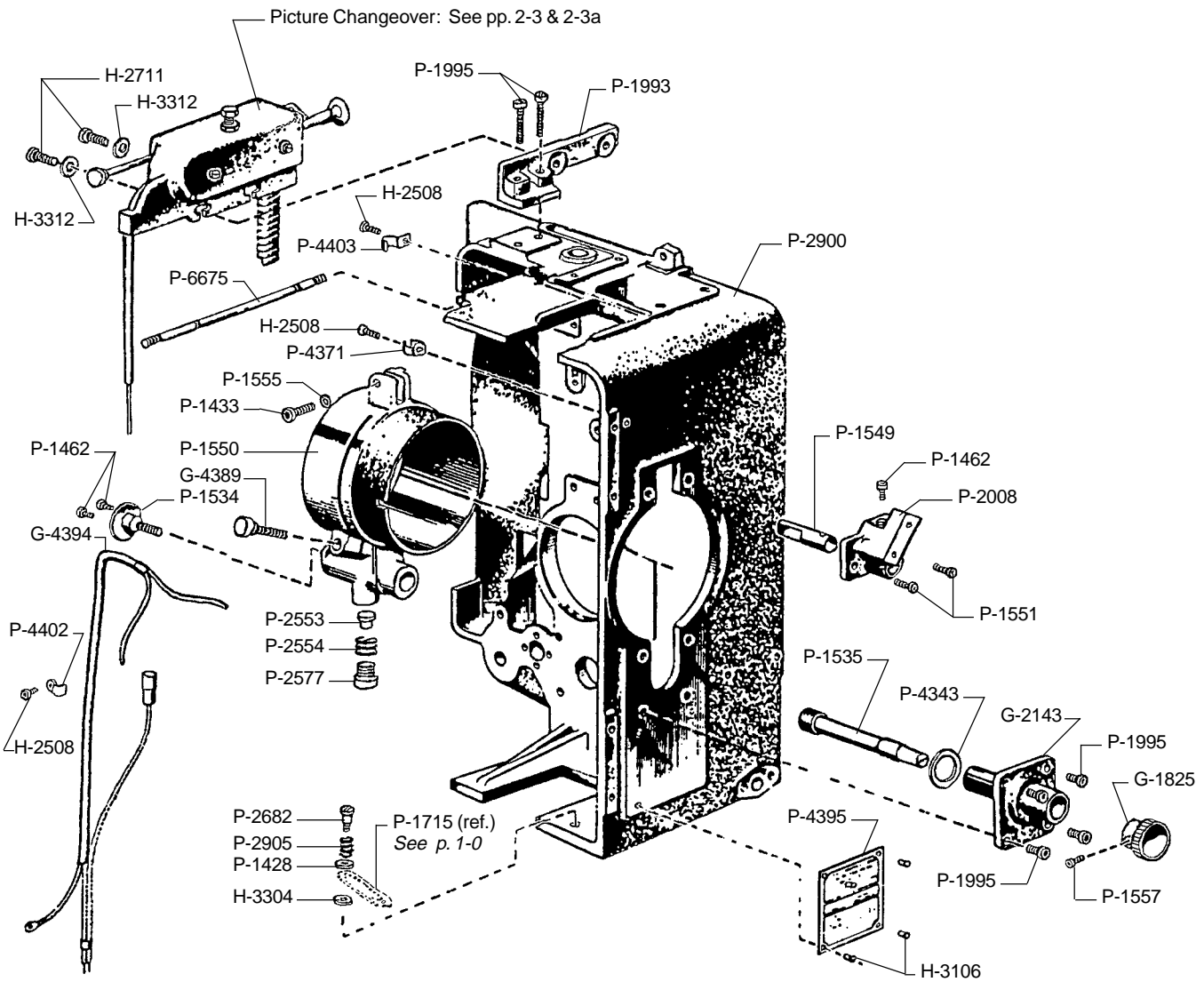
G-1809 HOLDBACK SPROCKET ASSEMBLY



* Order G-7846 for Arm Casting with Pins (assembled)

- | | | | |
|--------|--------------------------------|--------|----------------------------|
| G-1812 | Driven Gear | P-1461 | Bracket Casting |
| G-6611 | Sprocket & Key, Type VKF® | P-1462 | Fastening Screw (7 req'd.) |
| H-3719 | Set Screw, 8-32 x 1/4" | P-1557 | Set Screw (2 req'd.) |
| P-1429 | Adjustment Lock Nut | P-1559 | Gasket, Mounting Bracket |
| P-1430 | Arm Mounting Screw | P-1652 | Sprocket Retaining Screw |
| P-1431 | Pad Roller Arm Adjusting Screw | P-1653 | Spring Washer |
| P-1441 | Sleeve Bearing (2 req'd.) | P-2016 | Pad Roller Arm Stop Pin |
| P-1442 | Spring Retainer (2 req'd.) | P-2853 | Bearing Washer |
| P-1443 | Spring Guide | P-3055 | Coil Spring |
| P-1445 | Washer Retaining Ring | P-3066 | Spacer Washer (4 req'd.) |
| P-1447 | Spring Guide Pin (2 req'd.) | P-3085 | Pad Roller |
| P-1449 | Straight Shaft | P-3134 | Knob (2 req'd.) |
| P-1451 | Bearing Washer (2 req'd.) | P-3135 | Eccentric Shaft |
| P-1452 | Film Stripper, Cast | P-4369 | Pivot Stud |
| P-1456 | Pad Roller Arm (Order G-7846) | P-4868 | Pin |
| P-1457 | Travel Limit Pin | P-4986 | Arm Washer |

MAIN FRAME & LENS BARREL



PR1050 Lens Barrels & Focusing Components: See TU2000E Manual, Parts List
 PR1060 & PR2000 Lens Barrels & Focusing Components: See Supplemental Parts List in Instruction Book

MAIN FRAME & LENS BARREL

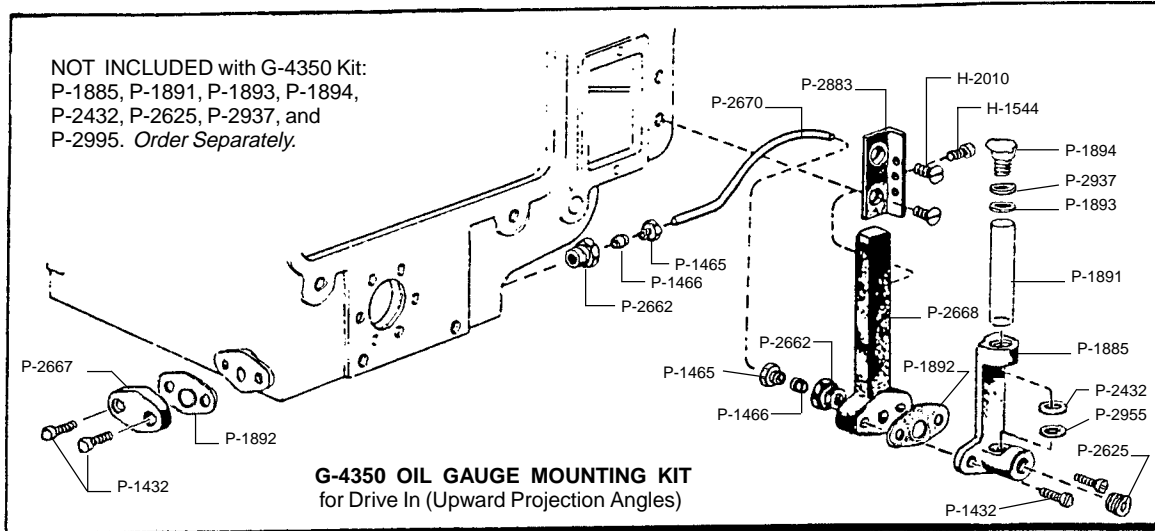
Parts List

G-1825	Lens Focusing Knob
G-2143	Lens Holder Guide Bracket & Sleeve Casting
G-4389	Lens Holder Clamping Screw
G-4394	Cable Form Assembly
H-2508	Screw, 6-32 x 1/4" (41-51316)
H-2711	Socket Head Screw, 1/4-20 (41-51295)
H-3106	Drive Screw, #2 x 1/8" (41-51330)
H-3304	Clamp Washer (41-70030)
H-3312	Flatwasher, 1/4" (41-70023)
P-1428	Washer, Door Stay
P-1433	Adjusting Screw, Lens Holder Guide Clearance
P-1462	Fastening Screw (3 req'd.)
P-1534	Focusing Screw, Flanged
P-1535	Shaft, Focusing Knob
P-1549	Upper Lens Holder Guide
P-1550	Lens Barrel Casting
P-1551	Fastening Screw (2 req'd.)
P-1555	Lockwasher
P-1557	Knob Fastening Screw
P-1993	Changeover Mounting Bracket
P-1995	Fastening Screw (6 req'd.)
P-2008	Mounting Bracket, Upper Lens Holder Guide
P-2553	Lens Holder Adjustment Clamp
P-2554	Compression Spring, Clamping Screw
P-2577	Clamping Screw, Lens Holder Adjustment
P-2682	Shoulder Screw, Door Stay
P-2900	Main Frame Casting; PR1014, PR1020, PR1030
P-2905	Compression Spring, Door Stay
P-4343	Focus Sleeve Washer (2 req'd.)
P-4371	Connector Clip
P-4395	Nameplate
P-4402	Wire Clamp
P-4403	Cable Clamp
P-6675	Shutter Guard Fastening Stud

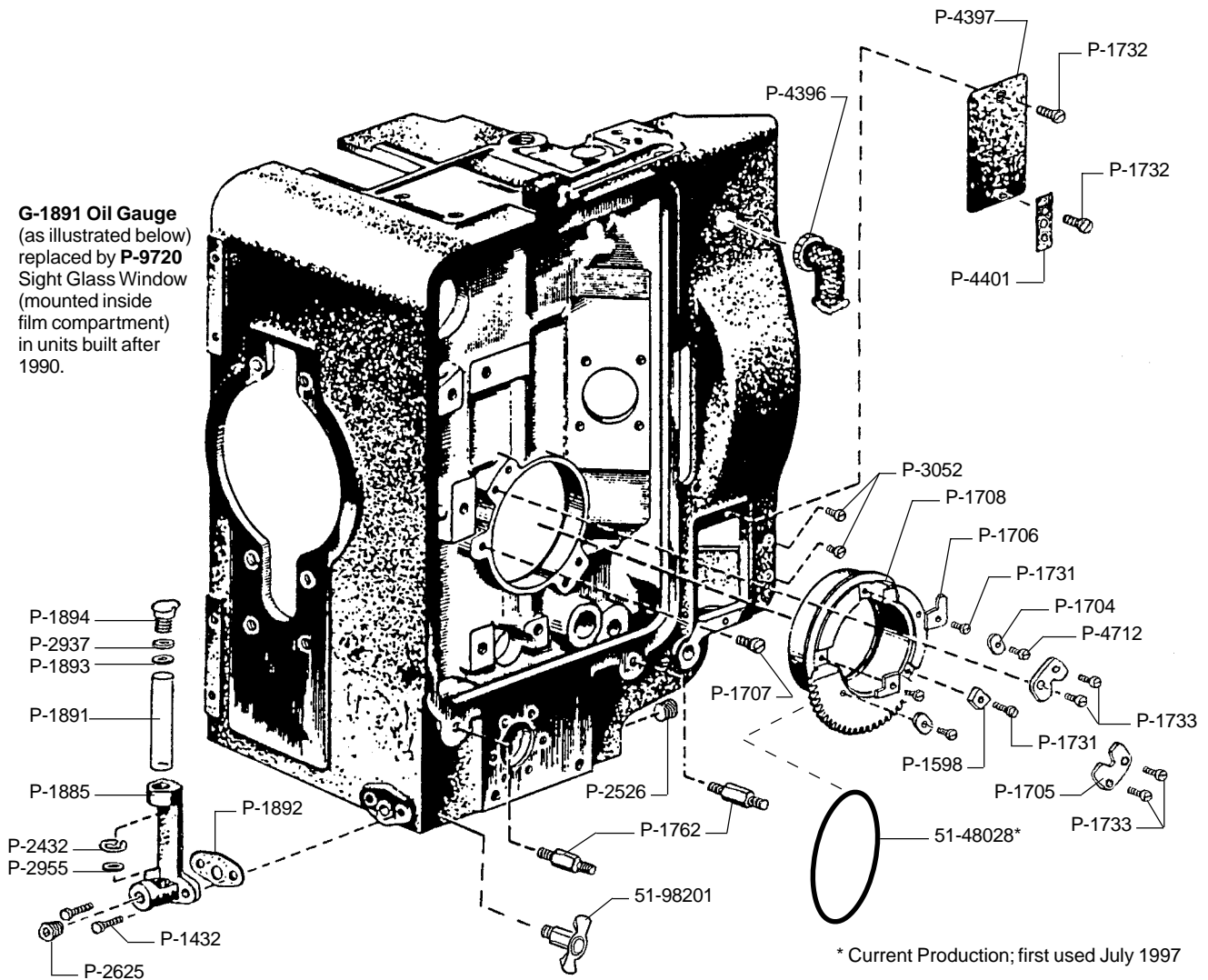
NOT SHOWN

P-7813	Main Frame Casting; PR1060, PR2000
P-9738	Main Frame Casting, PR1050

FRAMING CAM & OIL GAUGE



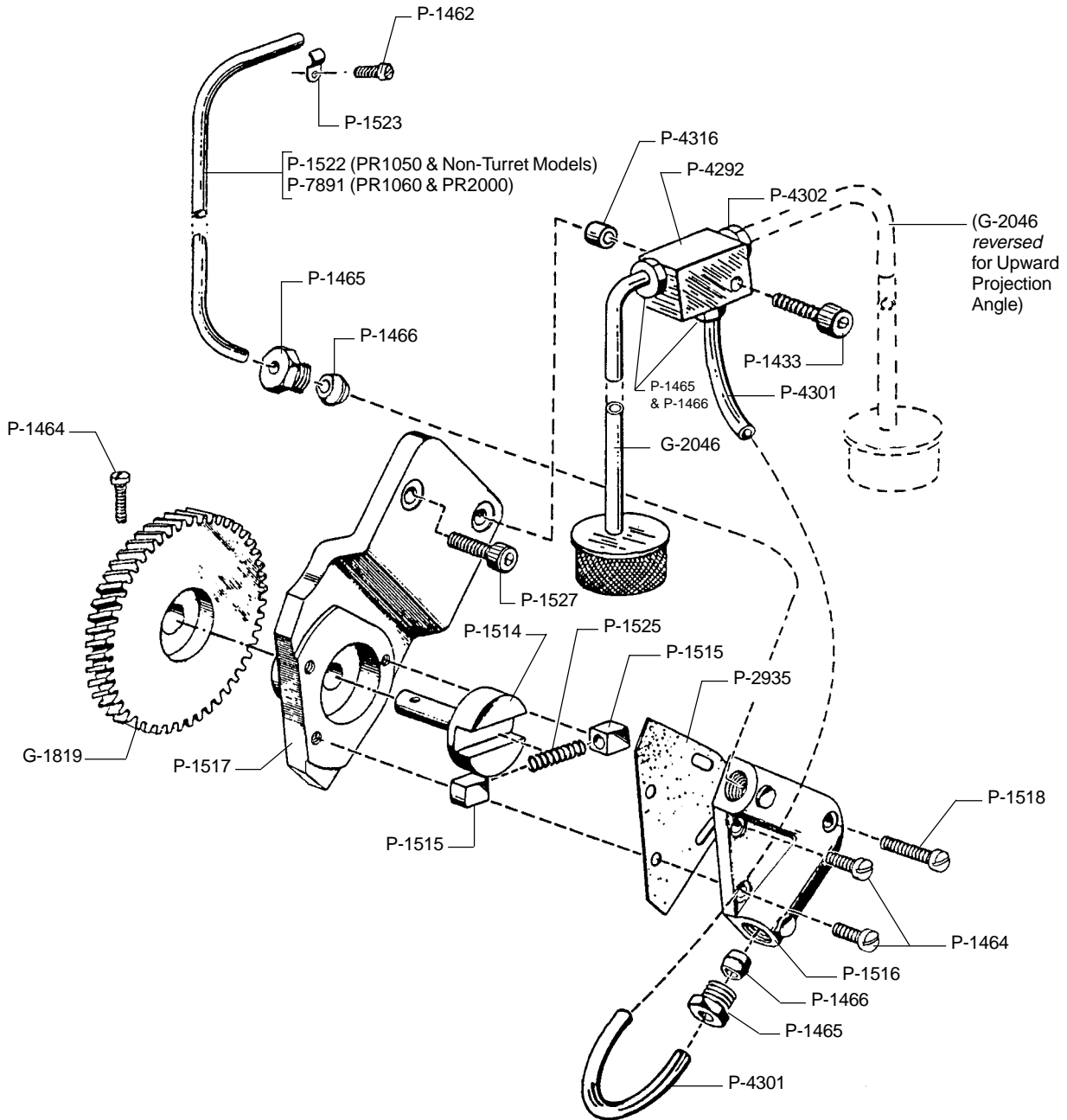
G-1891 Oil Gauge
 (as illustrated below)
 replaced by **P-9720**
 Sight Glass Window
 (mounted inside
 film compartment)
 in units built after
 1990.



FRAMING CAM & OIL GAUGE
Parts List

G-1891	Oil Gauge Assembly, Front Mounted (as shown) (Replaced by P-9720 Sight Glass in 1990)
H-1544	Screw, 10-32 x 5/8" Fillister Head (41-51302)
H-2010	Screw, 10-32 x 3/8" Flat Head (41-51303)
P-1432	Fastening Screw (2 req'd.)
P-1465	Compression Nut (2 req'd.)
P-1466	Compression Bushing (2 req'd.)
P-1598	Intermittent Locating Key
P-1704	Intermittent Retaining Clip (2 req'd.)
P-1705	Framing Cam Retainer Spring
P-1706	Framing Cam Stop Plate
P-1707	Intermittent Stop Screw
P-1708	Framing Cam
P-1731	Fastening Screw (3 req'd.)
P-1732	Fastening Screw (2 req'd.)
P-1733	Fastening Screw (4 req'd.)
P-1762	Gear Compartment Cover Mounting Stud (3 req'd.)
P-1885	Oil Gauge Bracket
P-1891	Glass Tube
P-1892	Oil Hole Cover Gasket
P-1893	Upper Gasket, Glass Tube
P-1894	Oil Cup
P-2432	Oil Level Ring
P-2625	Oil Drain Plug (2 req'd.)
P-2662	Adapter (Drive-In)
P-2667	Oil Hole Cover (Drive-In)
P-2668	Mounting Plate (Drive-In)
P-2670	Oil Tube (Drive-In)
P-2883	Mounting Bracket (Drive-In)
P-2937	Washer, Glass Tube
P-2955	Lower Gasket, Glass Tube
P-3052	Fastening Screw (2 req'd.)
P-4396	Cable Connector, 90°
P-4397	Cover Plate
P-4401	Guide Plate, Water Lines (req'd. on units with Water Cooled Trap <i>only</i>)
P-4712	Fastening Screw (2 req'd.)
P-9720	Oil Sight Glass (not shown) (Mounts in Film Compartment)
51-48028	Framing Cam O-Ring, 3½" Diameter
51-98201	Petcock, Oil Drain

G-1822 OIL PUMP ASSEMBLY

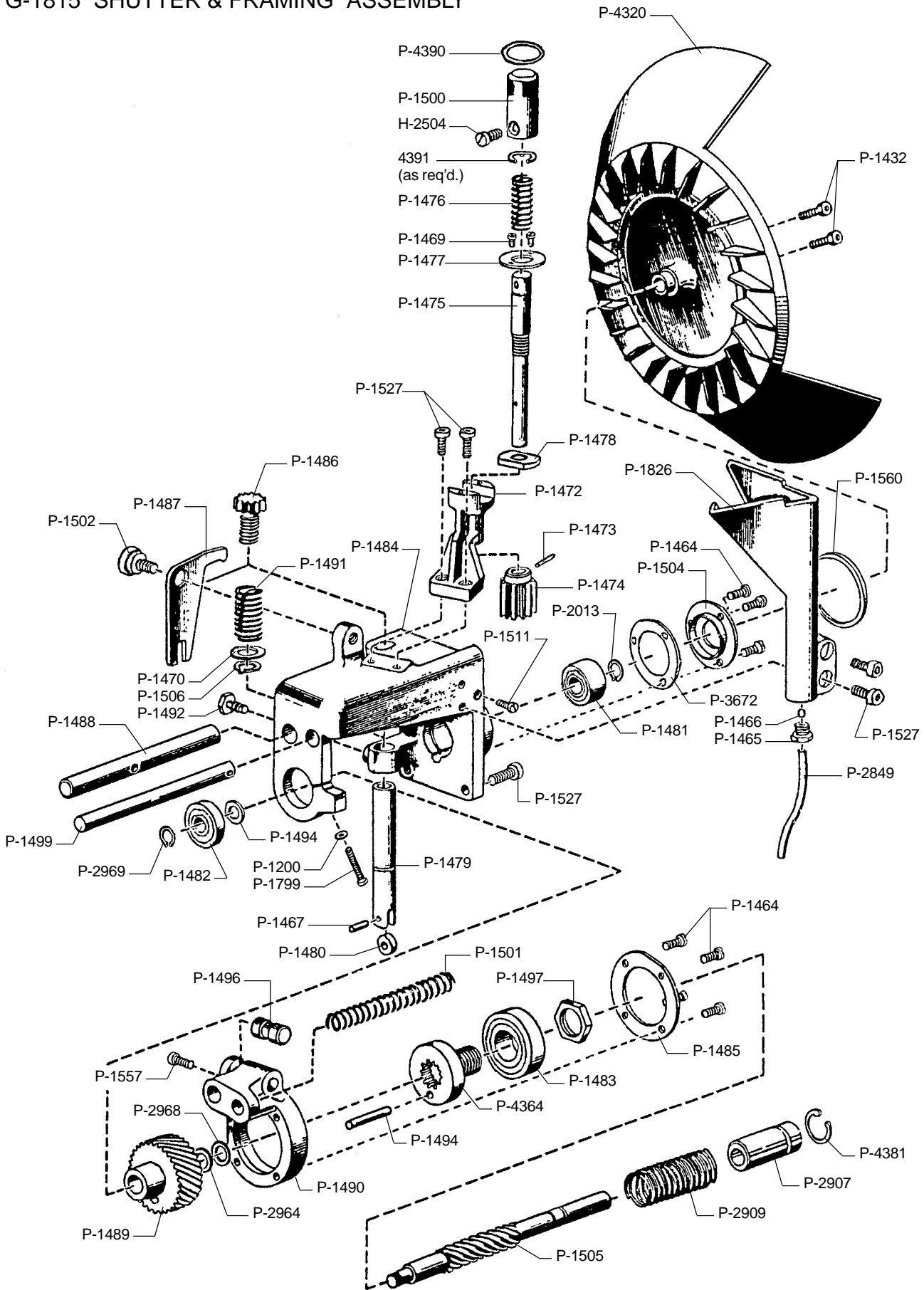


G-1822 OIL PUMP ASSEMBLY
Parts List

G-1819	Driven Gear, Oil Pump
G-2046*	Intake Filter & Oil Tube Assembly
P-1462*	Fastening Screw
P-1433*	Junction Mounting Screw
P-1464	Fastening Screw, Short (3 req'd.)
P-1465	Compression Nut (4 req'd.)
P-1466	Compression Bushing (4 req'd.)
P-1514	Oil Pump Drive Shaft & Rotor
P-1515	Oil Pump Impeller (2 req'd.)
P-1516	Housing Cover Casting
P-1517	Pump Housing, Cast
P-1518	Fastening Screw, Long
P-1522*	Oil Tube; PR1014, PR1020, PR1030, & PR1050
P-1523*	Oil Tube Clamp
P-1525	Compression Spring, Impellers
P-1527*	Pump Mounting Screw
P-2935	Cover Gasket
P-4292*	Three-Way Junction
P-4301*	Connecting Oil Tube
P-4302*	Closure Plug
P-4316	Mounting Spacer, Junction Screw
P-7891*	Oil Tube, PR1060 & PR2000

* Not Supplied with G-1822

G-1815 SHUTTER & FRAMING ASSEMBLY



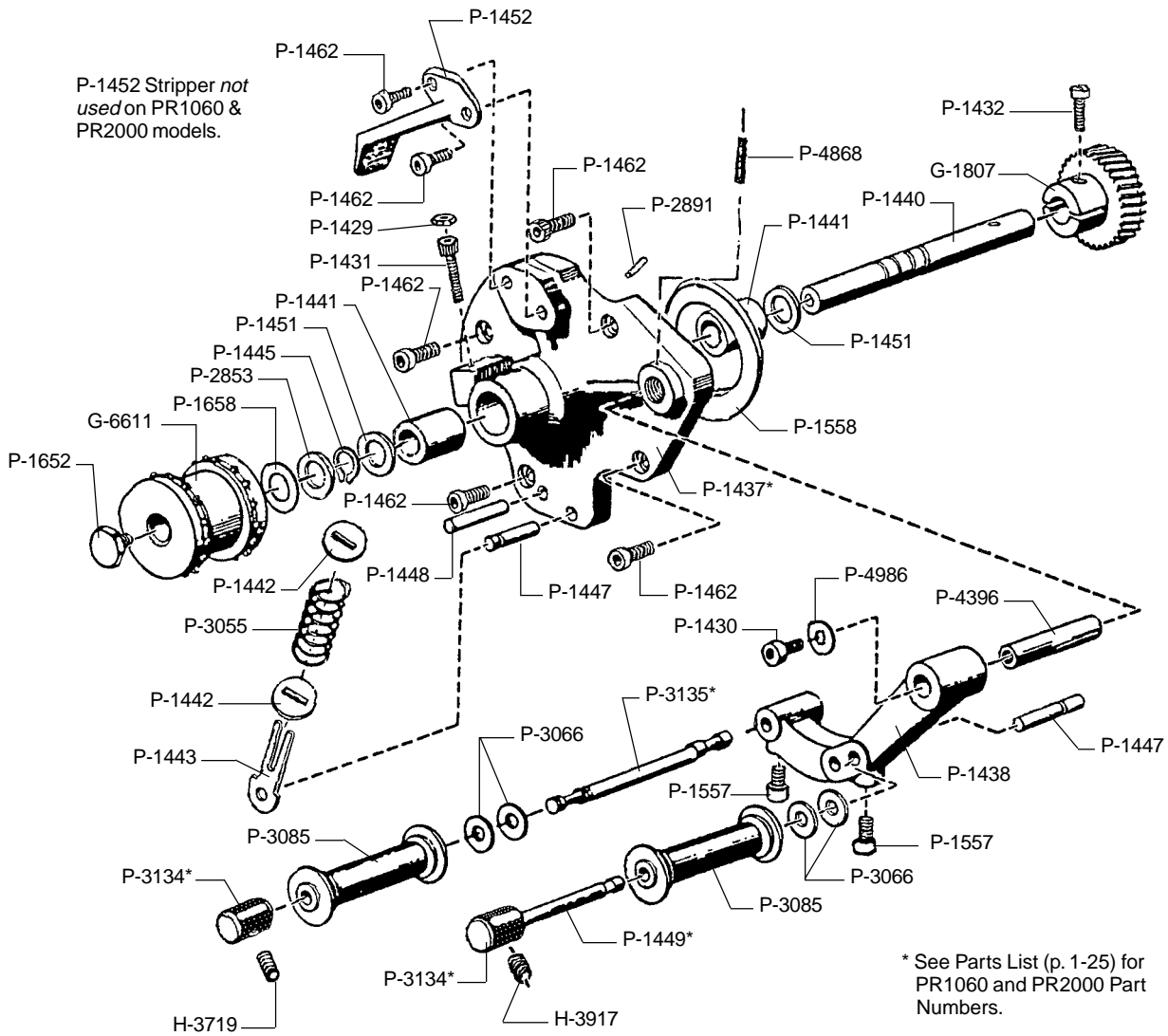
G-1815 SHUTTER & FRAMING ASSEMBLY

Parts List

H-2504	Fastening Screw, Adjusting Knob; 8-32 x 3/8" (41-51066)	P-1494	Shutter Shaft Spacer
P-1200	Lockwasher, Clamping Screw	P-1495	Pin, Driving Flange*
P-1432	Clamping Screw (2 req'd.)	P-1496	Pin, Adjusting Lever
P-1464	Fastening Screw (7 req'd.)	P-1497	Spline Clamping Nut (2 req'd.)
P-1465	Compression Nut	P-1499	Guide Rod, Spine Support Brkt.
P-1466	Compression Bushing	P-1500	Shutter Adjusting Knob
P-1467	Roll Pin, Framing Rod	P-1501	Compression Spring, Guide Rod
P-1469	Retainer Plate (2 req'd.)	P-1502	Pivot Screw, Adjusting Lever
P-1470	Spring Retaining Washer	P-1504	Bearing Retainer Plate, Outer
P-1472	Bracket Casting, Shutter Adjusting Shaft	P-1505	Shutter Shaft*
P-1473	Pin, Shutter Adj. Gear	P-1506	Snap Ring, Washer Retaining
P-1474	Shutter Adjusting Gear	P-1511	Guide Rod Retaining Screw
P-1475	Shutter Adjusting Shaft	P-1527	Fastening Screw (6 req'd.)
P-1476	Compression Spring, Adj. Shaft	P-1557	Slide Rod Fastening Screw
P-1477	Retainer Plate, Stop Nut	P-1560	Bracket Gasket
P-1478	Stop Nut, Adjusting Shaft	P-1779	Clamping Screw, Bearing
P-1479	Framing Rod	P-1826	Oil Collector Casting
P-1480	Framing Rod Roller	P-2013	Retaining Ring, Rear Bearing
P-1481	Shaft Ball Bearing, Rear	P-2849	Intermittent Oil Feed Tube
P-1482	Shaft Ball Bearing, Front	P-2907	Spring Retaining Collar
P-1483	Spline Ball Bearing	P-2909	Compression Spring
P-1484	Shutter Shaft Mounting Bracket, Cast	P-2964	Loading Spring, Shutter Shaft
P-1485	Bearing Retaining Plate	P-2968	Spring Retaining Washer
P-1486	Framing Rod Screw Gear	P-2969	Retaining Ring, Front Bearing
P-1487	Adjusting Lever	P-3672	Oil Seal, Shaft Bracket
P-1488	Slide Rod, Adjusting Spline Support Bracket	P-4320	Shutter Casting (as shown)
P-1489	Shutter Shaft Driven Gear		Three-Bladed Shutter: P-2885
P-1490	Adjusting Spline Support	P-4364	Flanged Spline*
P-1491	Rod Compression Spring	P-4381	Collar Retaining Ring
P-1492	Framing Rod Guide Screw	P-4390	O-Ring (2 req'd.)
		4391	Washer Retaining Ring (as req'd.)

* Order G-4364 Spline & Shaft Assembly

UPPER FEED SPROCKET ASSEMBLY



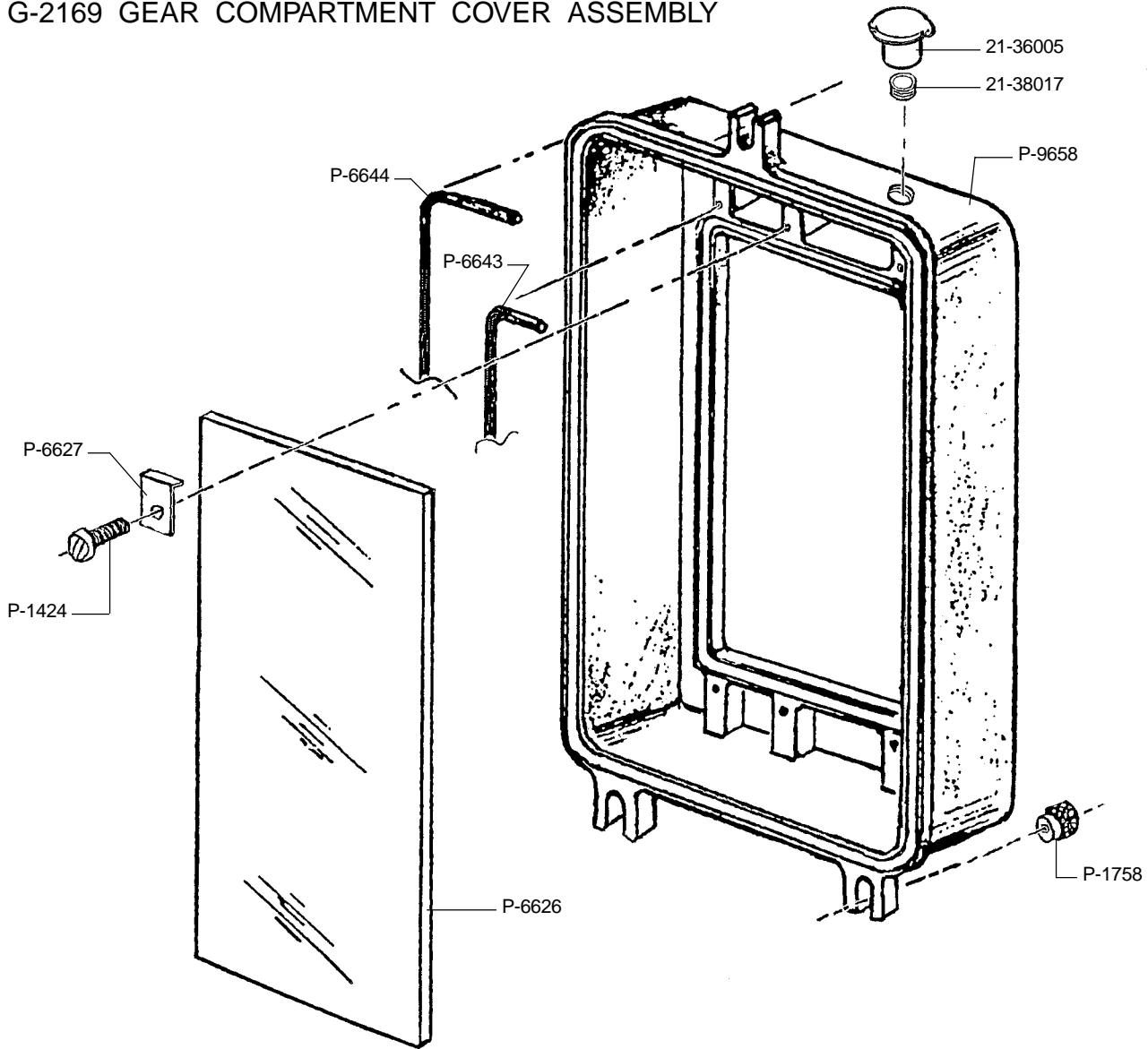
UPPER FEED SPROCKET ASSEMBLY

Parts List

G-1804	Upper Pad Roller Assembly, Complete; PR1014 & PR1050
52-60308	Upper Pad Roller Assembly, Complete; PR1060 & PR2000
G-1807	Feed Sprocket Driven Gear
G-6611	Sprocket & Key, Type VKF®
H-3719	Set Screw, 8-32 x 1/4" (41-51170)
P-1429	Lock Nut, Pad Roller Arm Adjustment
P-1430	Fastening Screw, Pad Roller Arm
P-1431	Pad Roller Arm Adjusting Screw
P-1432	Gear Fastening Screw
P-1437	Bracket Casting, PR1014 & PR1050 Bracket Casting, PR1060 & PR2000: P-7811
P-1438	Pad Roller Arm
P-1440	Sprocket Shaft
P-1441	Sleeve Bearing (2 req'd.)
P-1442	Spring Retainer, Pad Roller Arm (2 req'd.)
P-1443	Spring Guide
P-1445	Bearing Washer Retaining Ring
P-1447	Pin, Spring Guide
P-1448	Limit Pin, Arm Travel
P-1449	Straight Shaft, PR1014 & PR1050 Straight Shaft, PR1060 & PR2000: P-7851
P-1451	Bearing Washer (2 req'd.)
P-1452	Film Stripper (not used on PR1060 & PR2000)
P-1462	Mounting Screw (6 req'd.)
P-1557	Set Screw, Pad Roller Stud
P-1558	Gasket, Mounting Bracket*
P-1652	Sprocket Retaining Screw
P-1653	Spring Washer
P-2853	Bearing Washer
P-2891	Bearing Wick
P-3055	Compression Spring, Pad Roller Arm
P-3066	Spacer Washer (4 req'd.)
P-3085	Pad Roller (2 req'd.)
P-3134	Knob, Pad Roller Shaft (PR1014 & PR1050) Knob, Pad Roller Shaft (PR1060 & PR2000): P-7849
P-3135	Eccentric Shaft, PR1014 & PR1050 Eccentric Shaft, PR1060 & PR2000: P-7850
P-4369	Pivot Stud, Pad Roller Arm
P-4868	Pin
P-4986	Pad Roller Arm Washer

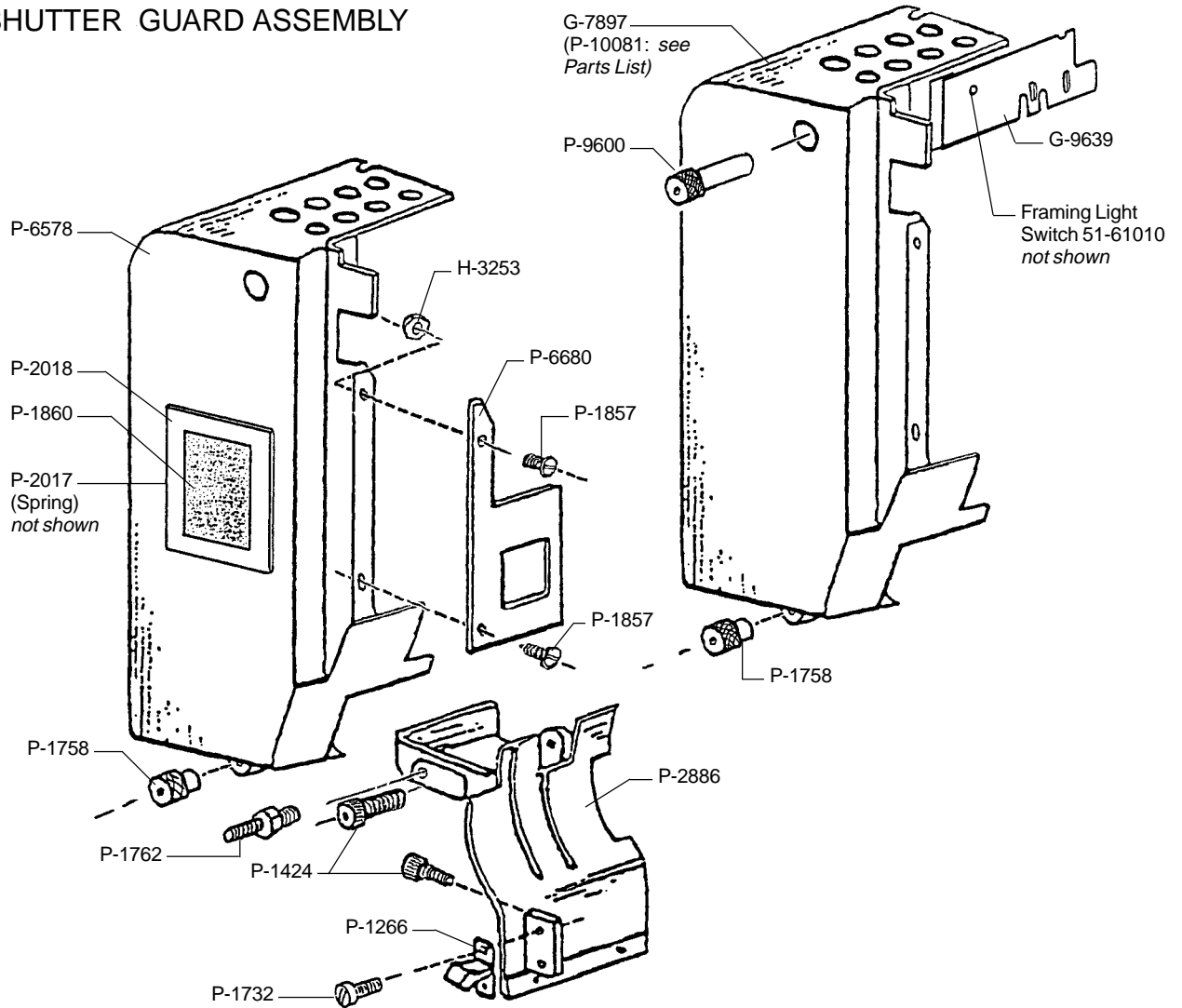
* Not included with G-1804 or 52-60308; *order separately*

G-2169 GEAR COMPARTMENT COVER ASSEMBLY



- | | |
|----------|--|
| P-1424 | Mounting Screw, Window Clip (8 req'd.) |
| P-1758 | Knurled Nut (2 req'd.) |
| | Use P-9600 (Long Shoulder) at Top Position |
| P-6626 | Window Glass |
| P-6627 | Window Mounting Clip (8 req'd.) |
| P-6643 | Window Gasket |
| P-6644 | Cover Gasket |
| P-9658 | Gear Compartment Cover Casting |
| 21-36005 | Oil Fill Cup |
| 21-38017 | Close Nipple, Brass |
| 21-38016 | Brass Elbow, 90° (Older Models; not shown) |

SHUTTER GUARD ASSEMBLY



- G-4232 Shutter Guard & Sight Box Assembly, PR1014
(P-6578 with P-1860, P-2017, P-2018, P-6680 & Hdwe.)
- G-5781 Lower Rear Cover Assembly (P-2886 & Hdwe.)
- G-7897 Shutter Guard for Auto Aperture with Incandescent Framing Light;
PR1050, PR1060
- P-10081 Shutter Guard for Auto Aperture with L.E.D. Framing Light;
PR1060, PR2000

- | | | | |
|--------|------------------------------|----------|----------------------------------|
| G-9639 | Light Shield; PR1050, PR1060 | P-1860 | Tinted Glass, Sight Box |
| H-3253 | Hex Nut, 6-32 (41-35005) | P-2017 | Spring, Sight Box Glass |
| P-1226 | Door Strike | P-2018 | Sight Box Window Frame |
| P-1424 | Fastening Screw (3 req'd.) | P-2886 | Lower Rear Cover Casting |
| P-1732 | Fastening Screw (2 req'd.) | P-6578 | Shutter Guard |
| P-1758 | Thumb Nut | P-6680 | Heat Shield |
| P-1762 | Mounting Stud, Lower | P-9600 | Thumb Nut, Long Shoulder |
| P-1857 | Fastening Screw (2 req'd.) | 51-61010 | Pushbutton Switch, Framing Light |

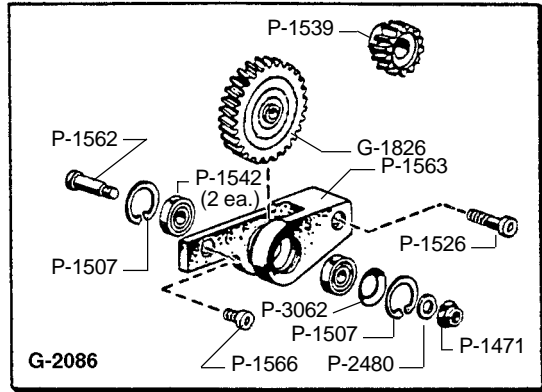
SECTION II

Options & Accessories

G-2086 DRIVE KIT

(Simplex Soundhead SH-1000, SH-1020, SH-1050)

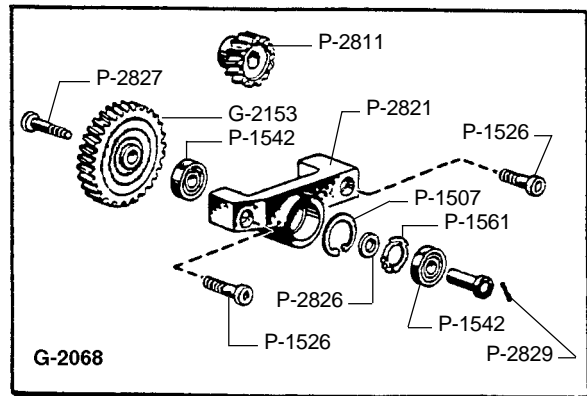
- G-1826 Idler Gear
- G-1827 Idler Gear & Bracket Assembly
(Includes: G-1826, P-1474, P-1507,
P-1542, P-1562, P-1563, P-2480
and P-3062)
- P-1471 Hex Nut, NyLock
- P-1507 Retaining Ring (2 req'd.)
- P-1526 Mounting Screw, Long
- P-1539 Projector Drive Gear
- P-1542 Ball Bearing (2 req'd.)
- P-1562 Idler Gear Shaft
- P-1563 Idler Gear Bracket
- P-1566 Mounting Screw, Short
- P-2480 Bearing Spacer
- P-3062 Loading Spring



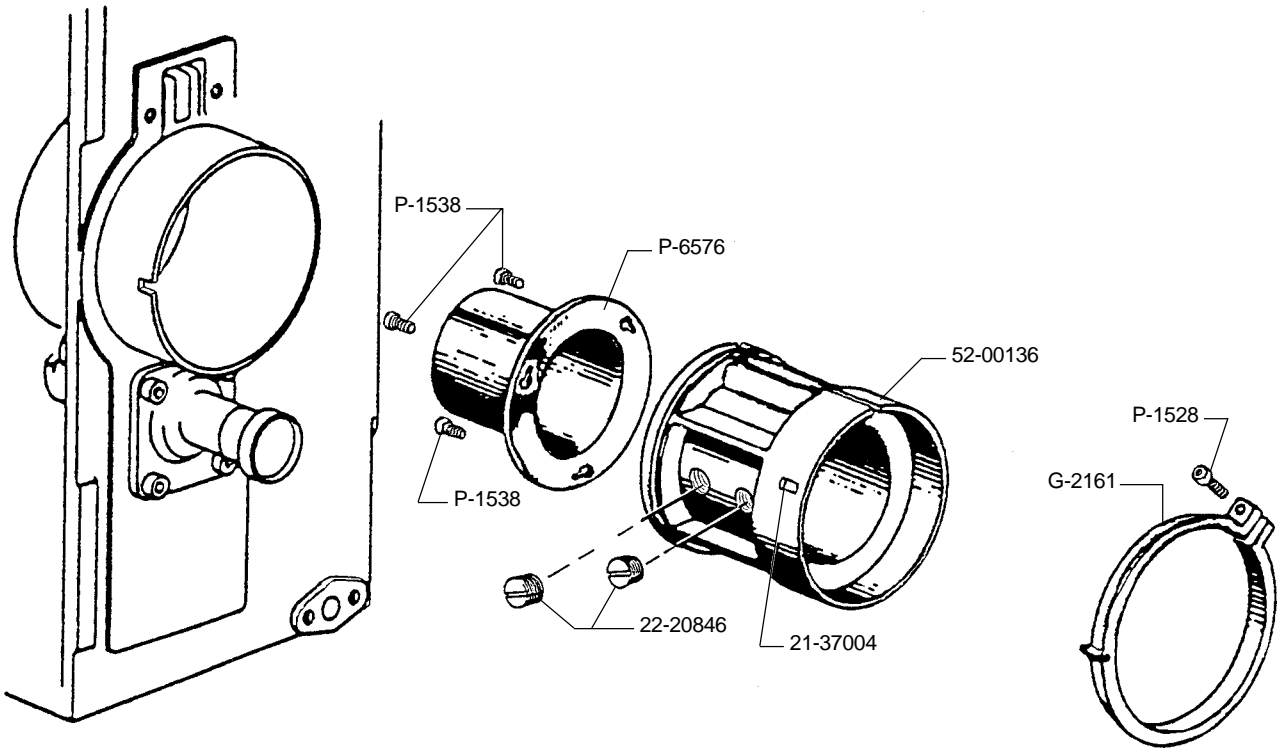
G-2068 DRIVE KIT

(RCA Soundheads MI-1040 to MI-1077, MI-9030 to MI-9070)

- G-2153 Idler Gear
- P-1507 Retaining Ring
- P-1526 Mounting Screw (2 req'd.)
- P-1542 Ball Bearing (2 req'd.)
- P-1561 Loading Spring
- P-2811 Projector Drive Gear
- P-2821 Idler Gear Bracket
- P-2826 Bearing Spacer
- P-2827 Shaft Fastening Screw
- P-2828 Idler Gear Shaft
- P-2829 Retaining Pin, Shaft Screw

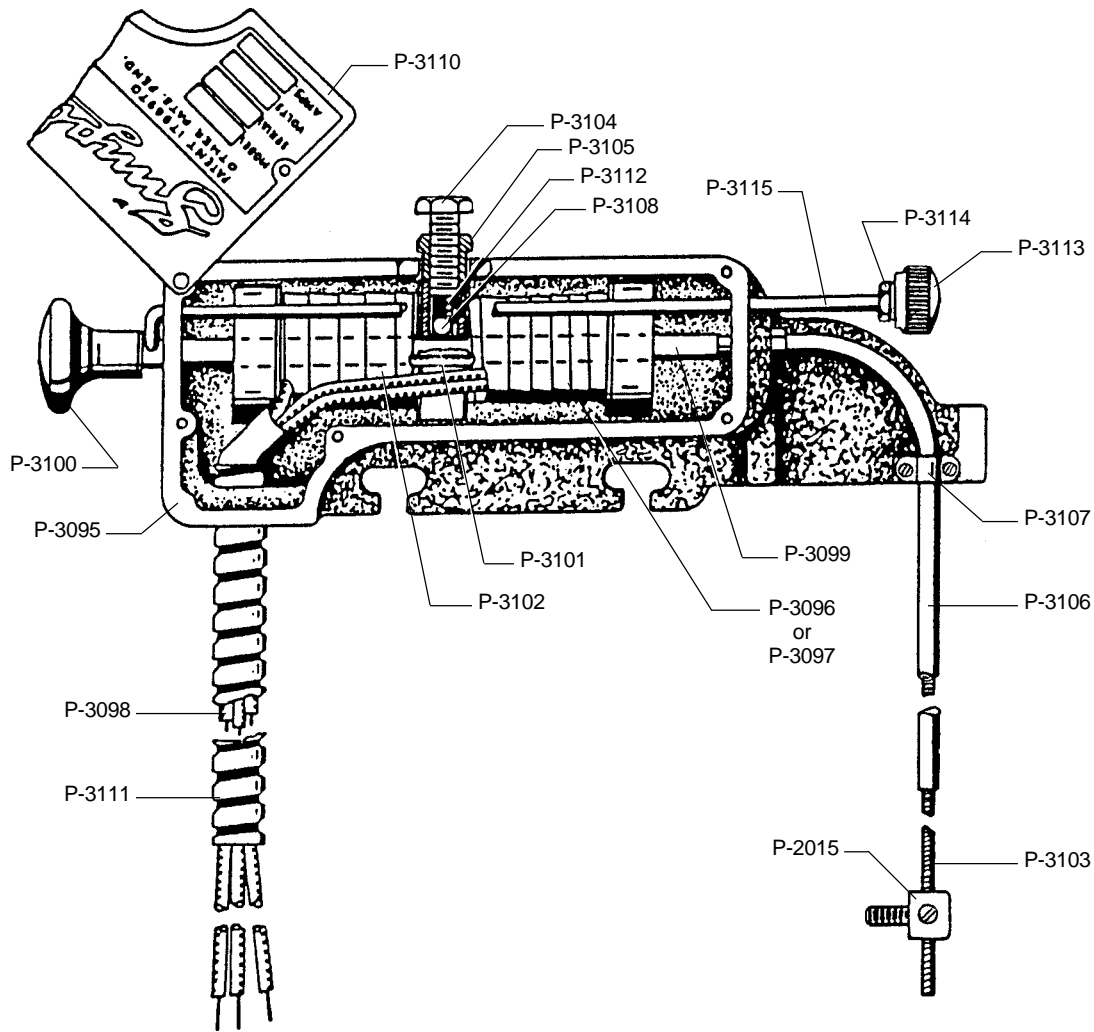


G-2156 LENS REDUCER ASSEMBLY



- | | |
|----------|--|
| G-2161 | Lens Stop Ring (Incl. P-1528)* |
| P-1528 | Clamping Screw, Stop Ring |
| P-1538 | Fastening Screw (3 req'd.) |
| P-6576 | Light Shield |
| 21-37004 | Roll Pin |
| 22-20846 | Lens Clamping Set Screw, Nylon |
| 52-00136 | Casting, Lens Reducer; 2.78" (72mm) I.D. |

* Not Included with G-2156; *order separately*



PICTURE CHANGEOVER ASSEMBLY

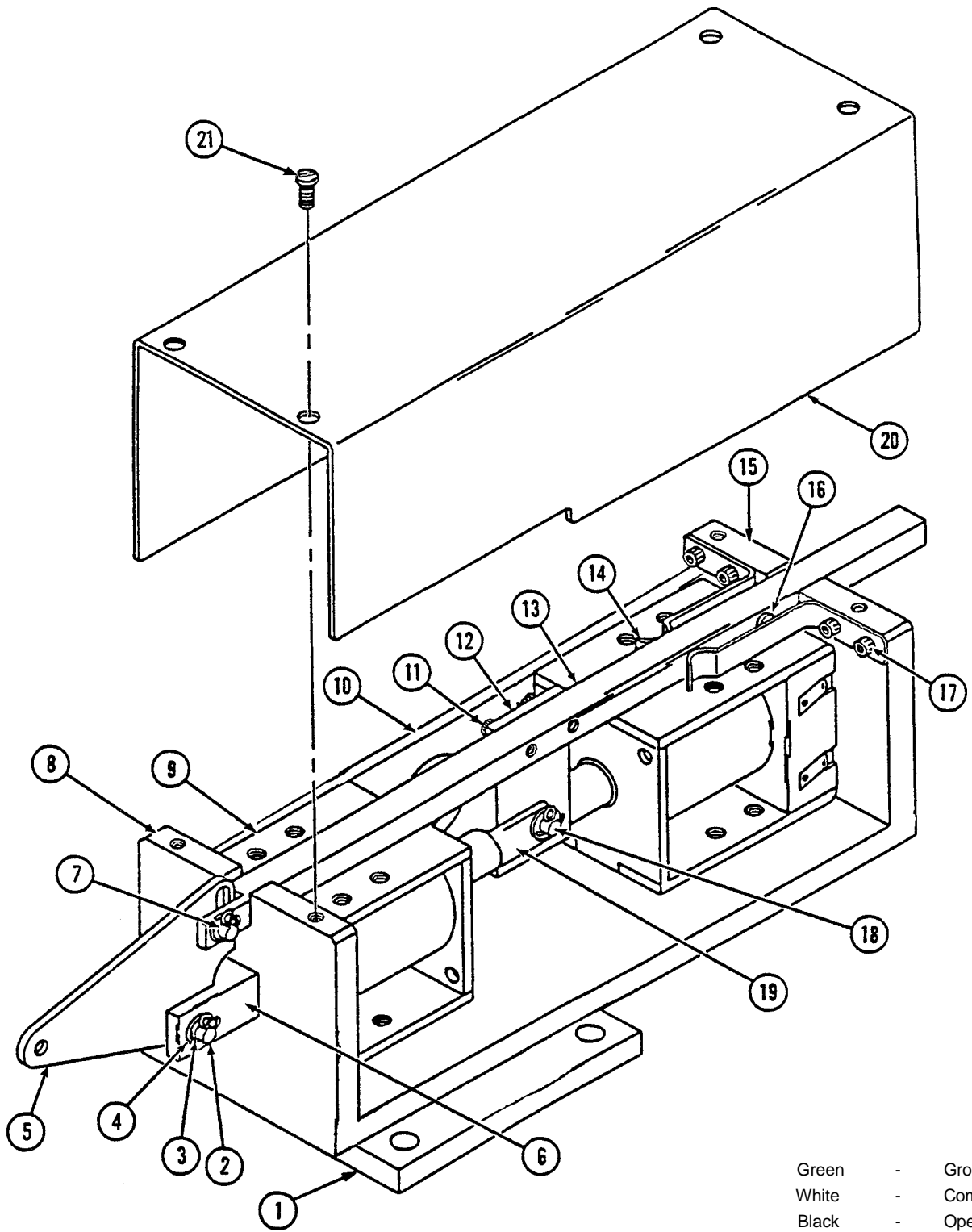
G-2090: 115 Volts AC

G-2091: 115 Volts DC

P-2015	Douser Pivot Clamp & Set Screws	P-3105	Locknut, Speed Adjusting Screw
P-3095	Housing, Cast	P-3106	Flexible Shaft Tube
P-3096	Coil, 115 V.AC (for G-2090)	P-3107	Clamp, Flexible Shaft Tube
P-3097	Coil, 115 V.DC (for G-2091)	P-3108	Ball, Speed Adjusting Screw
P-3098	Cable Harness, Three-Wire; 6 ft. Long	P-3110	Cover and Nameplate
P-3099	Armature, Flexible Shaft, and P-3100 Knob	P-3111	Flexible Conduit
P-3100	Knob, Off-Operator Side	P-3112	Compression Spring, Speed Adjustment
P-3101	Armature, Steel	P-3113	Knob, Operator Side
P-3102	Armature Section, Brass	P-3114	Locknut & Washer, Operator Side Knob
P-3103	Flexible Shaft & Connector	P-3115	Rod, Operator Side
P-3104	Operating Speed Adjusting Screw	G-1910	Douser Plate (Not Shown; See p. 1-10)

Douser Plate G-1910 *not included* with Changeover and must be ordered separately.

G-9727 PICTURE CHANGEOVER DEVICE



G-9727 PICTURE CHANGEOVER

Parts List

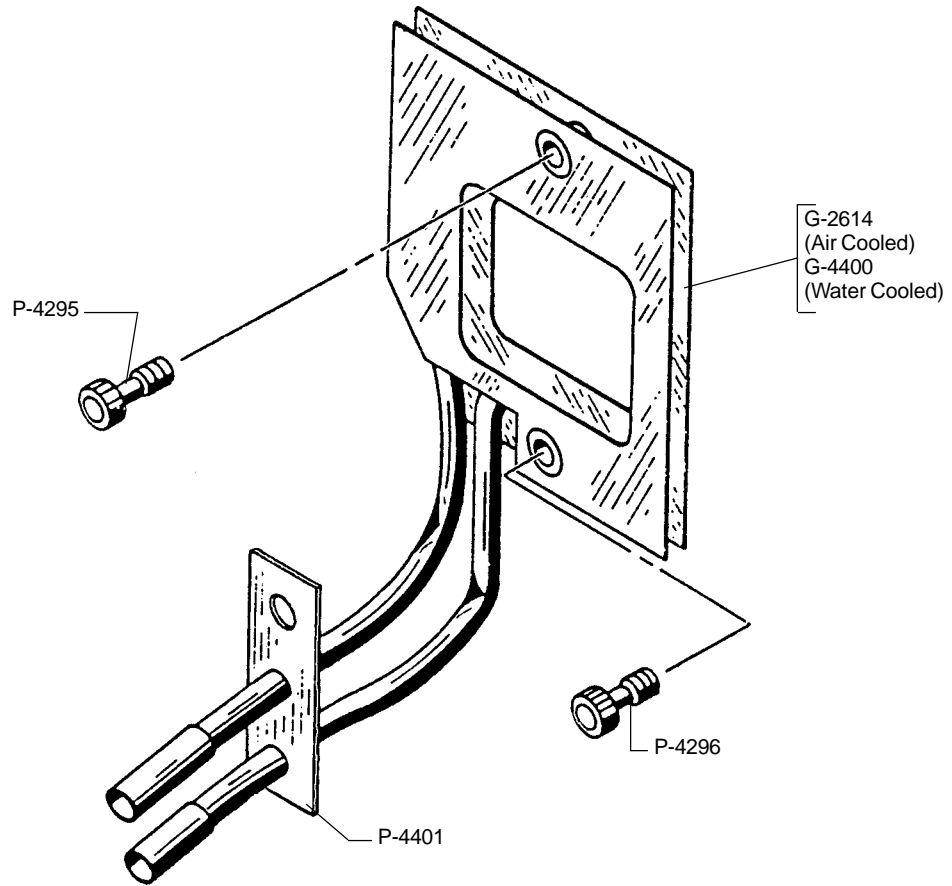
<u>Item</u>	<u>Part No.</u>	<u>Description</u>
1	P-7926	Base Plate
2	P-7966	Clevis Pin, 1/8" Dia.
3	01704000	Cotter Pin, 1/16" Dia.
4	41-40033	Flatwasher, #4
5	P-7892	Bell Crank
6	P-7923	Pivot, Bell Crank
7	P-7966	Clevis Pin, 1/8" Dia.
8	P-7919	Bracket, Changeover Body
9	51-55005	Solenoid, 115 V.AC Coil (with 52-60325)
-	51-55006	Solenoid, 230 V.AC Coil (with 52-60326)
10	P-7919	Bracket, Changeover Body
11	41-51325	Screw, 6-32 x 3/8" Socket Head
12	P-7925	Connector
13	P-7922	Push Rod
14	P-7920	Spring
15	P-7919	Bracket, Changeover Body
16	SC-0096	Screw, 4-40 x 1/8" Pan Head
17	41-51016	Screw, 4-40 x 1/4" Pan Head
18	P-7966	Clevis Pin, 1/8" Dia.
19	51-55005	Solenoid, 115 V.AC Coil (with 52-60235)
--	51-55006	Solenoid, 230 V.AC Coil (with 52-60236)
20	P-7924	Cover
21	41-51028	Screw, 6-32 x 1/4" Pan Head
	52-60235	Picture Changeover Assembly, Complete (115 V.AC)
	52-60236	Picture Changeover Assembly, Complete (230 V.AC)

NOT SHOWN

P-7968	Linkage, Douser Plate
4951-0371	Nylon Cable Clamp
41-13008	Cable Connector, 90°
51-71007	Cable, (4) Conductor, Type SO (6 feet required)

Douser Plate G-1910 (See p. 1-10) *not included* with G-9727 Changeover and must be ordered separately.

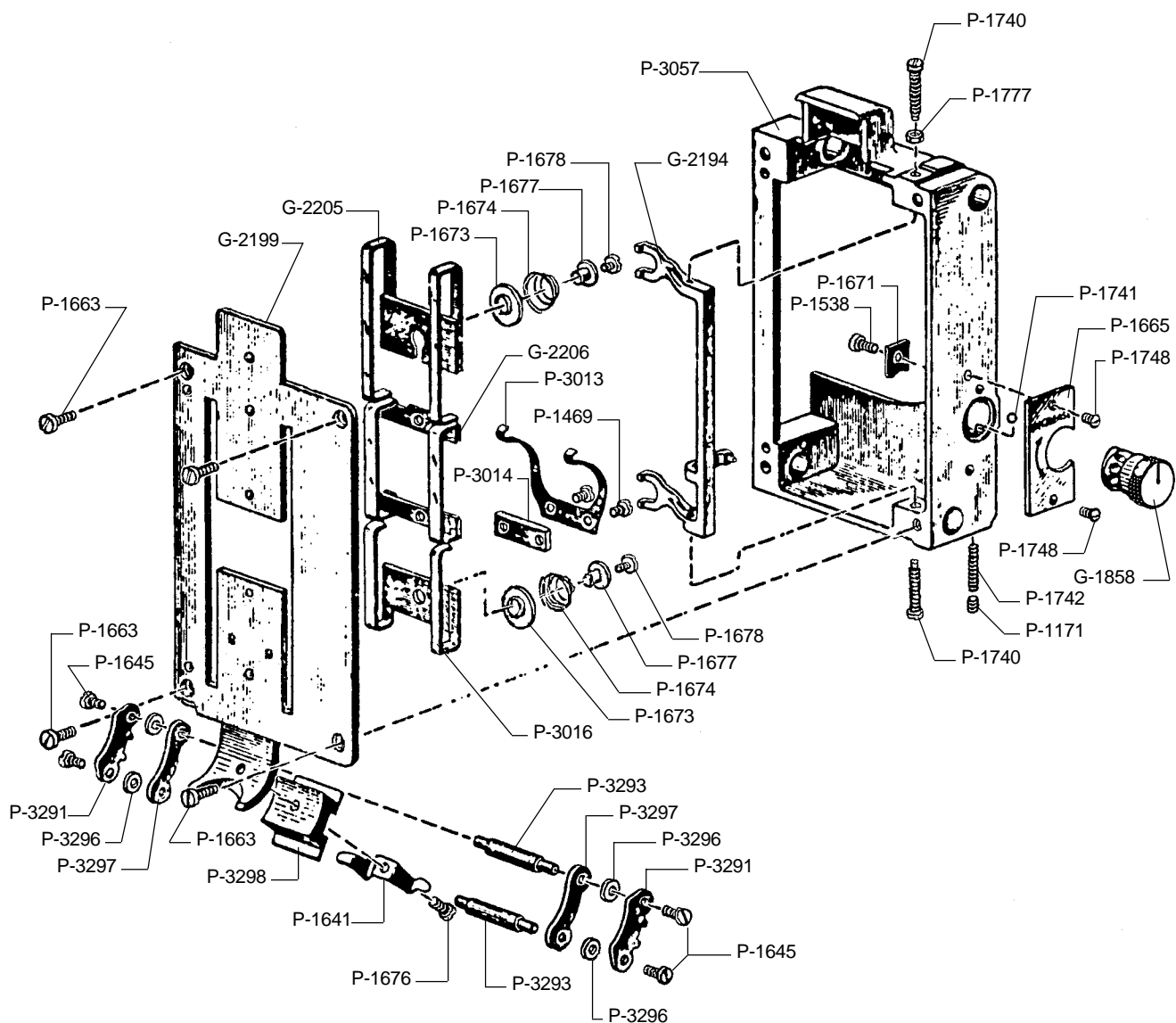
FILM TRAP HEAT SHIELD



G-2614 Heat Shield, Air Cooled
G-4400 Heat Shield, Water Cooled

P-4295 Heat Shield Mounting Screw, Upper
P-4296 Heat Shield Mounting Screw, Lower
P-4401 Guide Plate, Water Lines
(See p. 1-18 for Location)

G-2411 FILM GATE



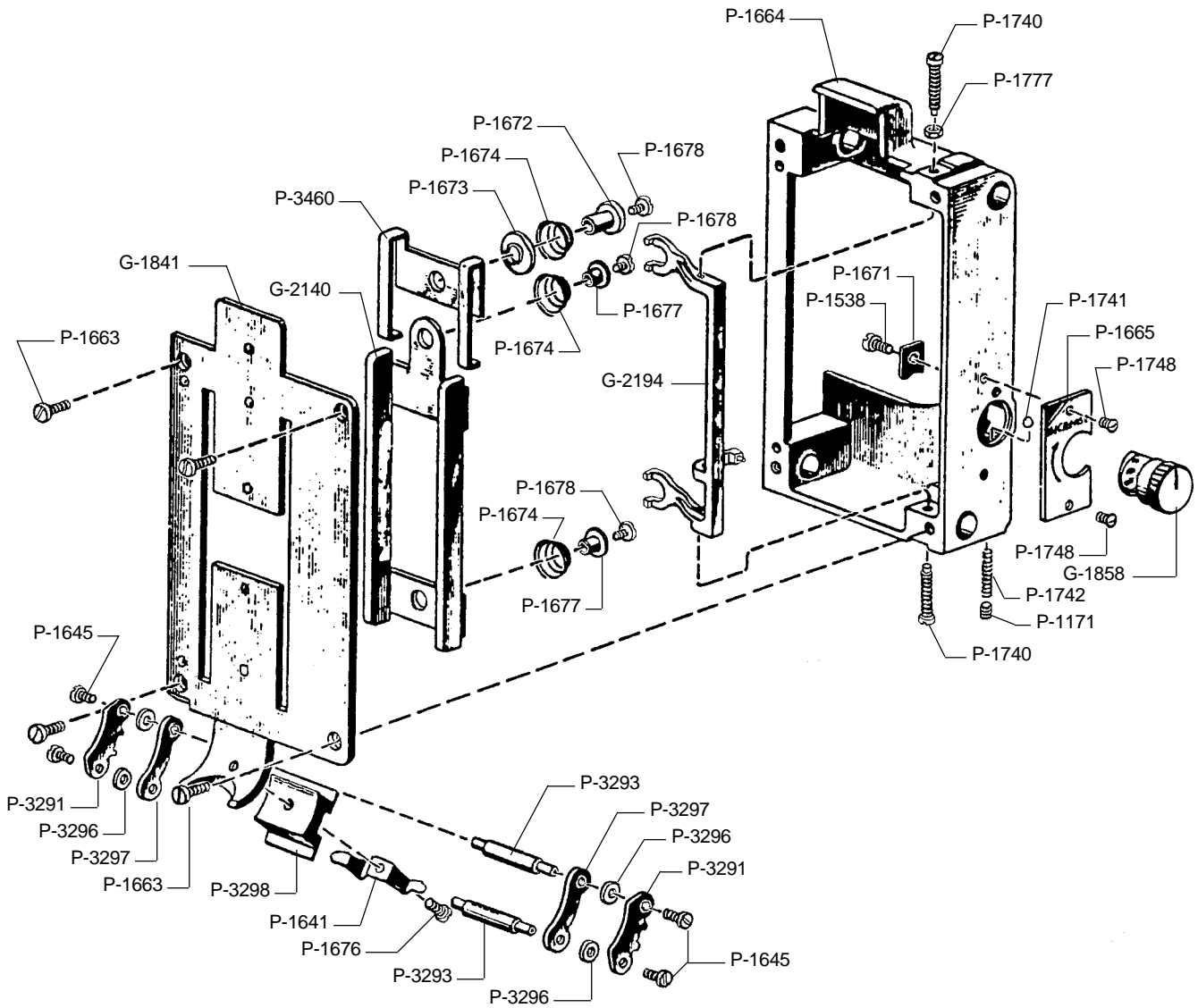
Studio Type, (3) Pads

G-2411 STUDIO GATE

Parts List

G-1858	Pressure Adjusting Knob & Pin
G-2194	Pressure Adjusting Yoke Casting with Pin
G-2199	Pressure Pad Plate & Pins Assembly
G-2205	Upper Pressure Pad Assembly
G-2206	Center Pressure Pad Assembly
P-1171	Detent Pressure Adjusting Screw
P-1469	Tension Spring Fastening Screw (2 req'd.)
P-1538	Retainer Plate Fastening Screw
P-1641	Tension Shoe Pressure Spring
P-1645	Fastening Screw, Tension Shoe Stud (4 req'd.)
P-1663	Plate Fastening Screw (2 req'd.)
P-1665	Dial Plate, Pressure Adjusting Knob
P-1671	Retainer Plate, Detent Adjusting Knob
P-1673	Spring Retaining Washer (2 req'd.)
P-1674	Pressure Pad Spring (2 req'd.)
P-1676	Fastening Screw, Tension Shoe Spring
P-1677	Spring Retaining Bushing (2 req'd.)
P-1678	Spring Retaining Screw (2 req'd.)
P-1740	Yoke Pivot Screw (2 req'd.)
P-1741	Detent Ball, Pressure Adjusting Knob
P-1742	Detent Spring, Pressure Adjusting Knob
P-1748	Dial Plate Fastening Screw (2 req'd.)
P-1777	Lock Nut, Yoke Pivot Screw
P-3013	Tension Spring, Center Pressure Pad
P-3014	Tension Spring Spacer
P-3016	Lower Pressure Pad
P-3057	Gate Cover Casting
P-3291	Outer Intermittent Sprocket Tension Shoe (2 req'd.)
P-3293	Tension Shoe Stud (2 req'd.)
P-3296	Tension Shoe Spacer (4 req'd.)
P-3297	Inner Intermittent Sprocket Tension Shoe (2 req'd.)
P-3298	Tension Shoe Spacer Block

G-2409 FILM GATE



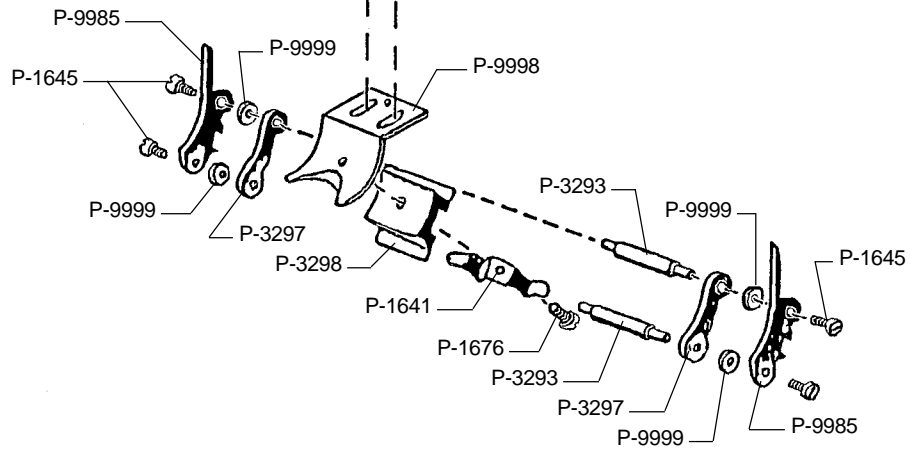
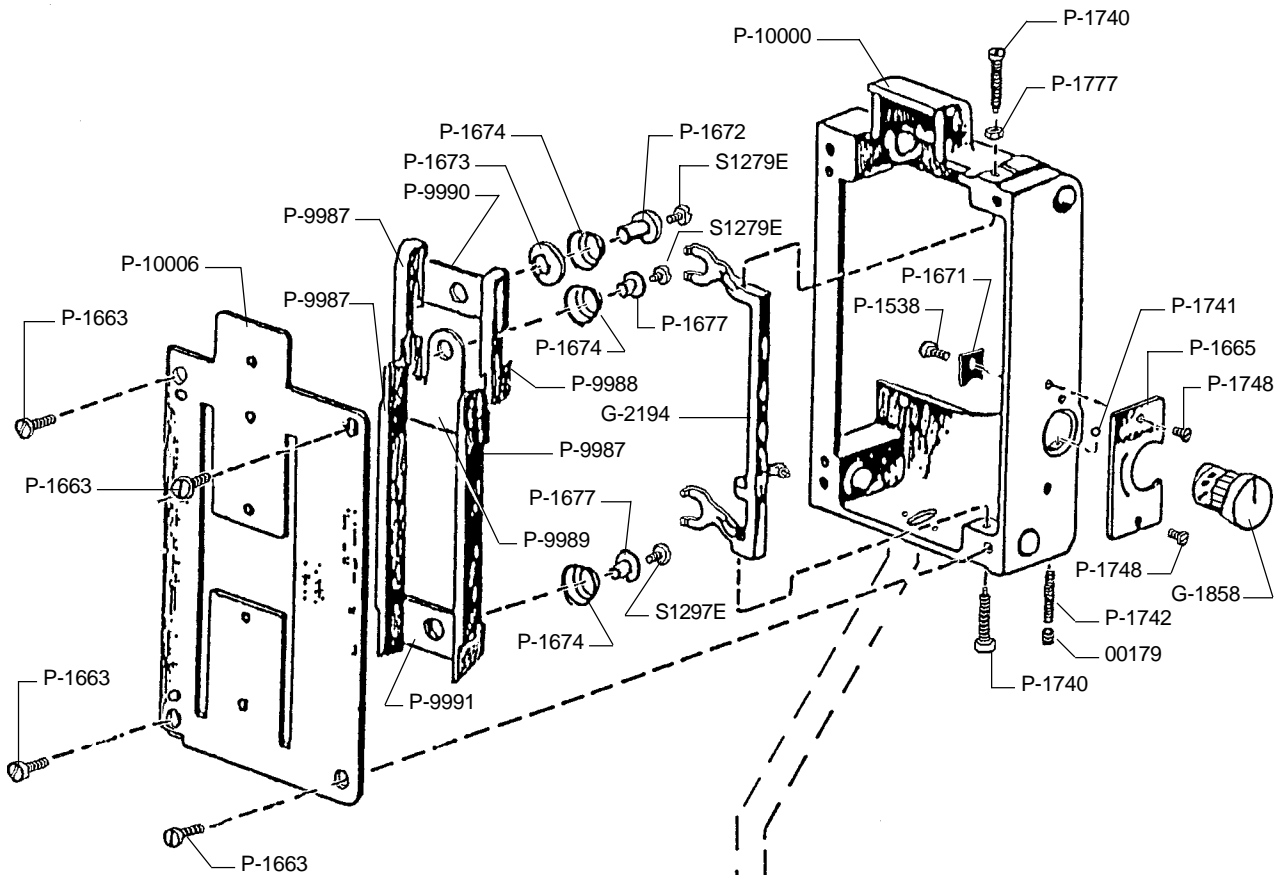
Studio Type, (2) Pad

G-2409 FILM GATE

Parts List

G-1841	Pressure Pad Plate & Pins Assembly
G-1858	Pressure Adjusting Knob & Pin
G-2140	Lower Pressure Pad Assembly
G-2194	Pressure Adjusting Yoke Casting with Pin
P-1171	Detent Pressure Adjusting Screw
P-1538	Retainer Plate Fastening Screw
P-1641	Tension Shoe Pressure Spring
P-1645	Fastening Screw, Tension Shoe Stud (4 req'd.)
P-1663	Plate Fastening Screw (2 req'd.)
P-1664	Gate Cover Casting
P-1665	Dial Plate, Pressure Adjusting Knob
P-1671	Retainer Plate, Detent Adjusting Knob
P-1672	Spring Retaining Bushing
P-1673	Spring Retaining Washer (2 req'd.)
P-1674	Pressure Pad Spring (2 req'd.)
P-1676	Fastening Screw, Tension Shoe Spring
P-1677	Spring Retaining Bushing (2 req'd.)
P-1678	Spring Retaining Screw (2 req'd.)
P-1740	Yoke Pivot Screw (2 req'd.)
P-1741	Detent Ball, Pressure Adjusting Knob
P-1742	Detent Spring, Pressure Adjusting Knob
P-1748	Dial Plate Fastening Screw (2 req'd.)
P-1777	Lock Nut, Yoke Pivot Screw
P-3291	Outer Intermittent Sprocket Tension Shoe (2 req'd.)
P-3293	Tension Shoe Stud (2 req'd.)
P-3296	Tension Shoe Spacer (4 req'd.)
P-3297	Inner Intermittent Sprocket Tension Shoe (2 req'd.)
P-3298	Tension Shoe Spacer Block
P-3460	Upper Pressure Pad

P-10013 FILM GATE



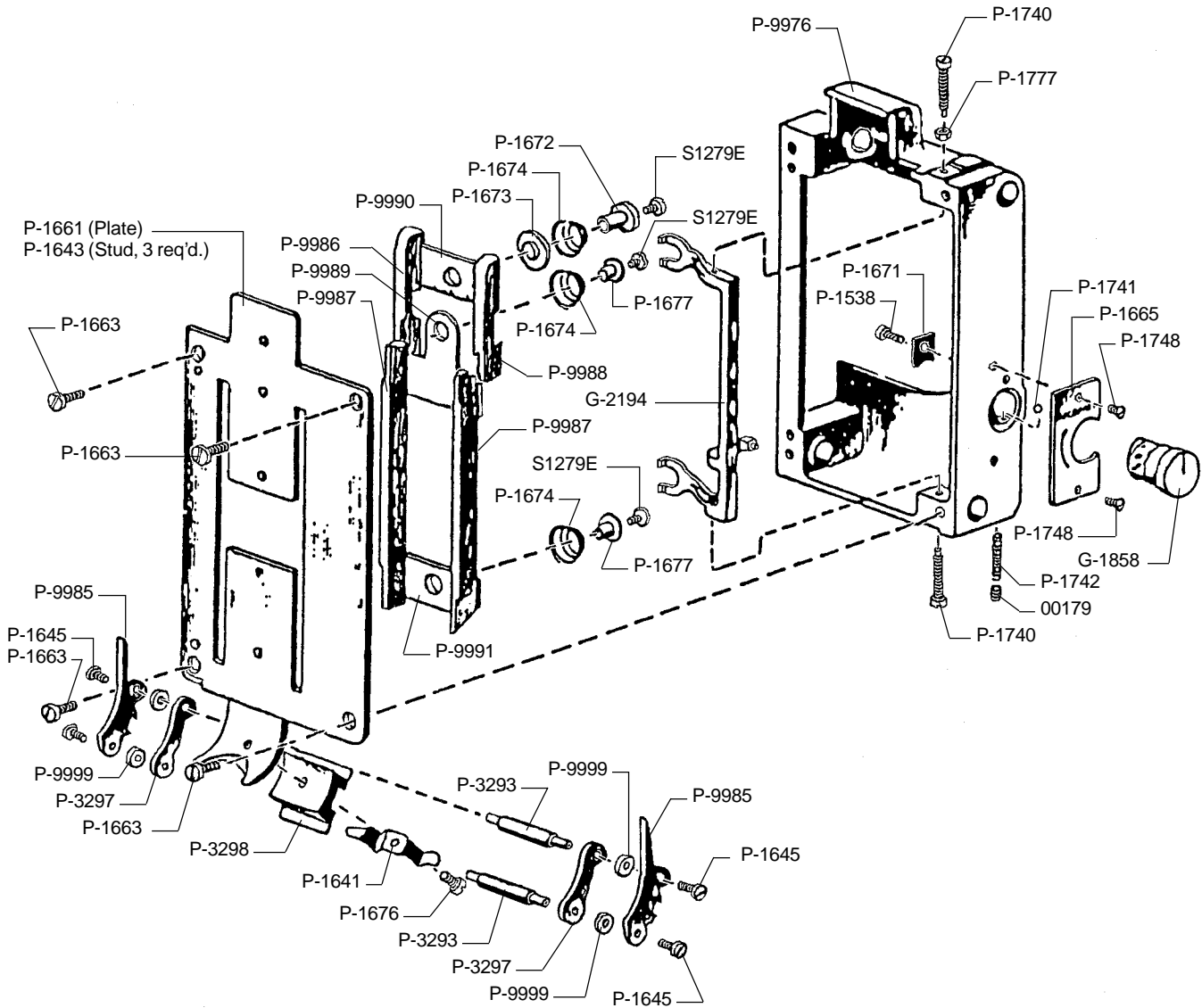
Studio Type, Forward/Reverse

G-10013 STUDIO GATE

Parts List

G-1858	Pressure Adjusting Knob and Pin
G-2194	Pressure Adjusting Yoke Casting with Pin
00179	Set Screw, 6-32 x 3/32"
P-1538	Retainer Plate Fastening Screw
P-1641	Tension Shoe Pressure Screw
P-1645	Tension Shoe Stud Fastening Screw (4 req'd.)
P-1663	Plate Fastening Screw (4 req'd.)
P-1665	Adjusting Knob Dial Plate
P-1671	Detent Adjusting Knob Retainer Plate
P-1672	Upper Pressure Pad Spring Retaining Bushing
P-1673	Pressure Pad Spring Retaining Washer (3 req'd.)
P-1674	Pressure Pad Spring
P-1676	Tension Shoe Spring Fastening Screw
P-1677	Lower Pressure Pad Spring Retaining Bushing
P-1740	Pressure Adjusting Yoke Pivot Screw, Dog Point (2 req'd.)
P-1741	Pressure Adjusting Knob Detent Ball
P-1742	Pressure Adjusting Knob Detent Spring
P-1748	Plate Mounting Screw (2 req'd.)
P-1777	Pivot Screw Lock Nut
P-3293	Tension Shoe Stud (2 req'd.)
P-3297	Inner Tension Shoe (2 req'd.)
P-3298	Tension Shoe Spacer Block
P-9985	Intermittent Tension Shoe (2 req'd.)
P-9986	Upper Tension Shoe, Left
P-9987	Lower Tension Shoe (2 req'd.)
P-9988	Upper Tension Shoe, Right
P-9989	Tension Shoe Spacer Plate
P-9990	Upper Tension Shoe Spacer Plate
P-9991	Lower Tension Shoe Spacer Plate
41-51160	Tension Shoe Mounting Screw, 3-56 x 1/4" Soc. Head (8 req'd.)
P-9998	Mounting Bracket, Intermittent Shoe Assembly
41-51012	Bracket Mounting Screw, 4-40 x 1/4" Button Head
P-9999	Intermittent Shoe Spacer (4 req'd.)
P-10000	Gate Casting
P-10007	Threaded Inserts (for P-9998 Mounting)
P-10006	Pressure Pad Plate
S1279E	Spring Retaining Screw (3 req'd.)

G-10051 FILM GATE



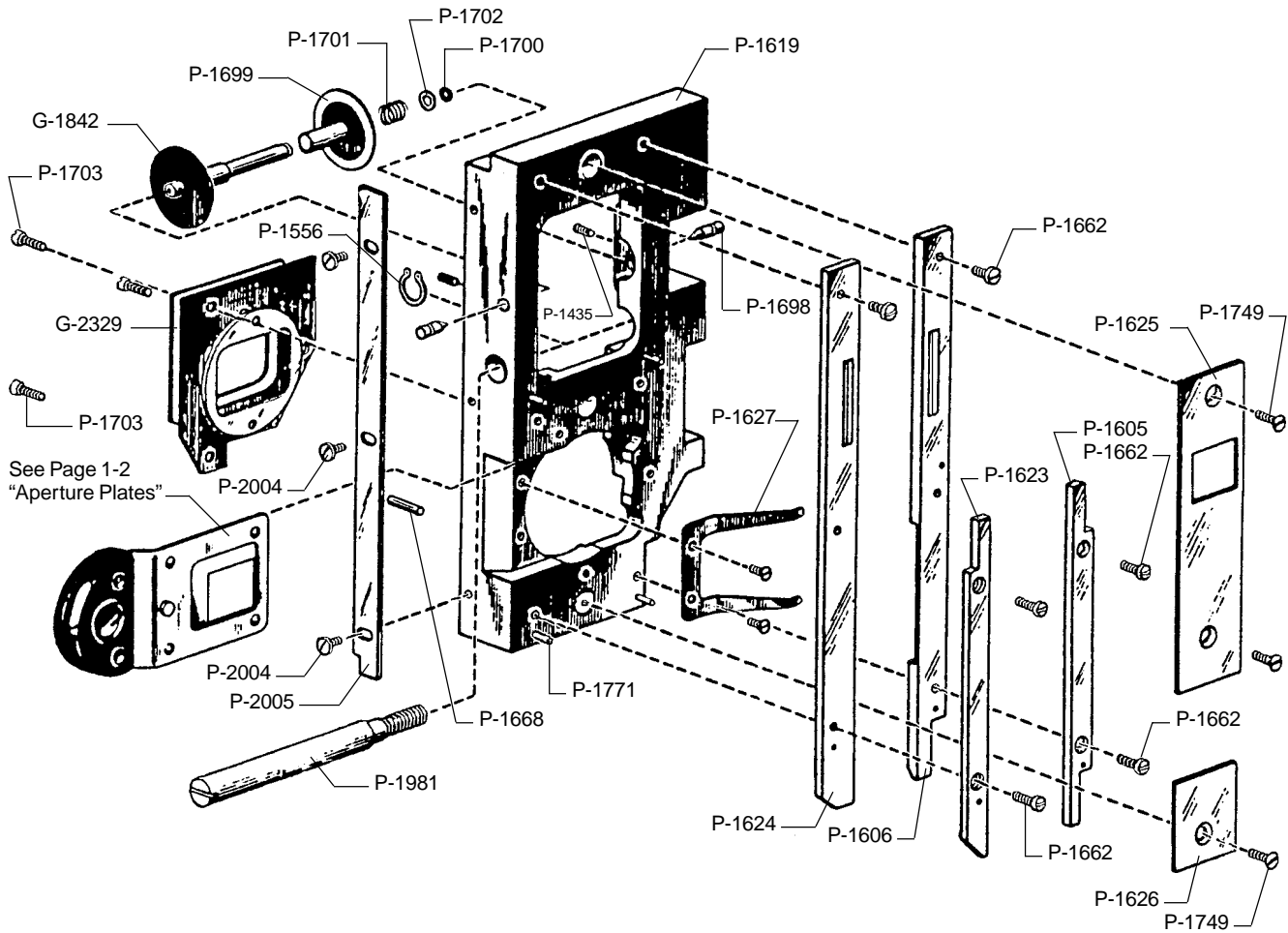
Studio Type, Forward/Reverse

G-10051 STUDIO GATE

Parts List

G-1858	Pressure Adjusting Knob and Pin
G-2194	Pressure Adjusting Yoke Casting with Pin
00179	Set Screw, 6-32 x 3/32"
P-1538	Retainer Plate Fastening Screw
P-1641	Tension Shoe Pressure Screw
P-1643	Stud, Pressure Pad Plate (3 req'd.)
P-1645	Tension Shoe Stud Fastening Screw (4 req'd.)
P-1661	Pressure Pad Plate
P-1663	Plate Fastening Screw (4 req'd.)
P-1665	Adjusting Knob Dial Plate
P-1671	Detent Adjusting Knob Retainer Plate
P-1672	Upper Pressure Pad Spring Retaining Bushing
P-1673	Pressure Pad Spring Retaining Washer (3 req'd.)
P-1674	Pressure Pad Spring
P-1676	Tension Shoe Spring Fastening Screw
P-1677	Lower Pressure Pad Spring Retaining Bushing
P-1740	Pressure Adjusting Yoke Pivot Screw, Dog Point (2 req'd.)
P-1741	Pressure Adjusting Knob Detent Ball
P-1742	Pressure Adjusting Knob Detent Spring
P-1748	Plate Mounting Screw (2 req'd.)
P-1777	Pivot Screw Lock Nut
P-3293	Tension Shoe Stud (2 req'd.)
P-3297	Inner Tension Shoe (2 req'd.)
P-3298	Tension Shoe Spacer Block
P-9976	Gate Cover Casting
P-9985	Intermittent Tension Shoe (2 req'd.)
P-9986	Upper Tension Shoe, Left
P-9987	Lower Tension Shoe (2 req'd.)
P-9988	Upper Tension Shoe, Right
P-9989	Tension Shoe Spacer Plate
P-9990	Upper Tension Shoe Spacer Plate
P-9991	Lower Tension Shoe Spacer Plate
41-51160	Tension Shoe Mounting Screw, 3-56 x 1/4" Soc. Head (8 req'd.)
P-9999	Intermittent Shoe Spacer (4 req'd.)
S1279E	Spring Retaining Screw (3 req'd.)

G-2448 FILM TRAP



G-1842	Lateral Guide Roller & Shaft	P-1668	Fire Shutter Stop Pin
G-2329	Heat Shield	P-1698	Guide Roller Pivot (2 req'd.)
P-1435	Set Screw, Roller Pivot (2 req'd.)	P-1699	Movable Lateral Guide Roller
P-1556	Snap Ring, Captive Screw	P-1700	Washer Retaining Ring
P-1605	Right Studio Guide (Inboard)	P-1701	Compression Spring
P-1606	Inboard Trap Shoe	P-1702	Guide Roller Washer
P-1619	Film Trap Casting	P-1703	Fastening Screw (3 req'd.)
P-1623	Left Studio Guide (Outboard)	P-1749	Fastening Screw (3 req'd.)
P-1624	Outboard Trap Shoe	P-1771	Dowel Pin (4 req'd.)
P-1625	Threading Aperture	P-1773	Fastening Screw (2 req'd.)
P-1626	Lower Threading Guide	P-1981	Trap Mounting Screw, Captive
P-1627	Aperture Plate Tension Spring	P-2004	Fastening Screw (3 req'd.)
P-1662	Fastening Screw (6 req'd.)	P-2005	Light Shield

PARTS LIST ADDENDUM

SIMPLEX PROJECTORS AND SOUNDHEADS manufactured prior to January 1990 employed .200" Pitch ("square-tooth") timing belts and their corresponding pulleys in the drive train. Drive components for current production (5mm, "round-tooth") are detailed in this book, and in the current 5 Star manual. Strong International will continue to stock replacement parts for the older drive train; please refer to the following chart when ordering parts for older Simplex equipment.

SERIAL NUMBERS *higher* than the following use 5mm drive components:

PR1014, 1020, 1030	#1616
PR1050	#11105
 35/70 (Projector)	 #629
5 Star Soundhead (35mm)	#7715S
5 Star Soundhead (35/70mm)	#640S

	<u>Old 35/70</u>	<u>.200" Pitch</u>	<u>5mm Pitch*</u>
MOTOR PULLEY	52-00072 (P-7611)	51-43004 (P-5742)	51-43010 (P-7611)
MOTOR BELT	51-05005 (P-7615)	51-05001 (P-7021)	51-05014 (P-9835)
90 Tooth	n/a	52-20467 (P-7371)	52-20268 (P-9837)
66 Tooth	52-20266 (P-7614)	52-20469 (P-7019)	52-20266 (P-7614)
PROJ. BELT	51-05005 (P-7615)	51-05001 (P-7021)	51-05014 (P-9835)
PROJ. PULLEY	52-00179 (P-9812)	51-43017 (P-9802)	51-43018 (P-9812)
IDLER PULLEY	51-43016 (P-7610)	51-43007 (P-7230)	52-40111 (P-10024)
IDLER ASS'Y.	52-60013 (G-7629)	52-60120 (G-7052)	52-60364 (P-10024)

* Current Production

