

Film-Tech

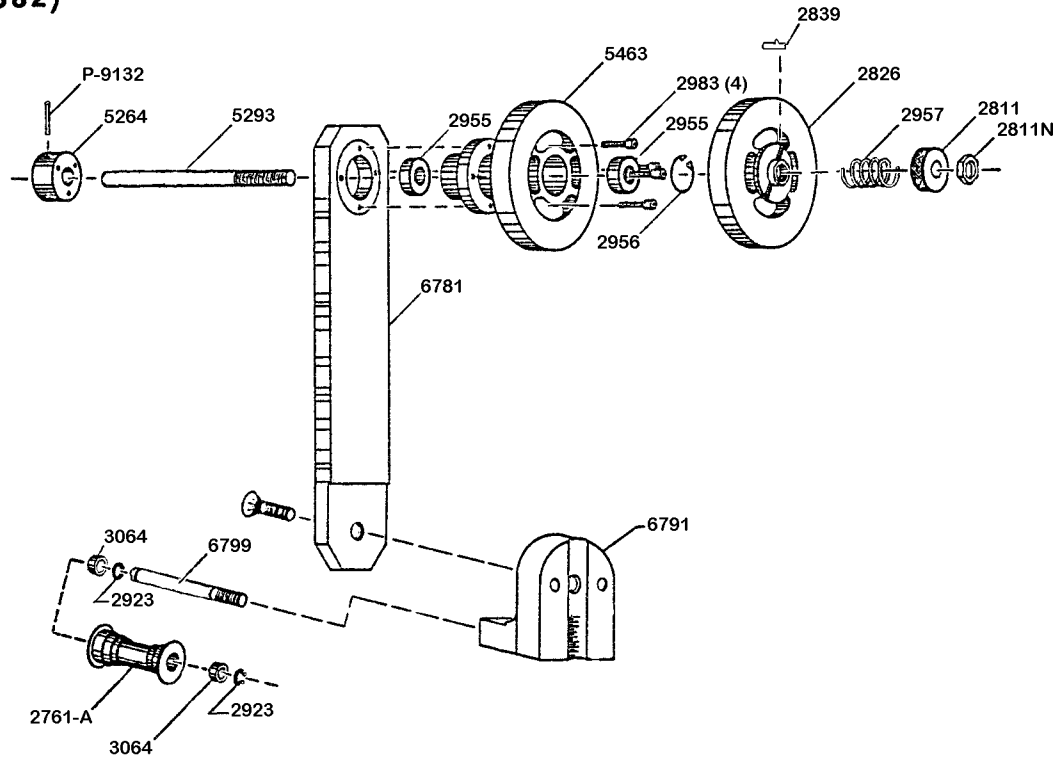
The information contained in this Adobe Acrobat pdf file is provided at your own risk and good judgment.

These manuals are designed to facilitate the exchange of information related to cinema projection and film handling, with no warranties nor obligations from the authors, for qualified field service engineers.

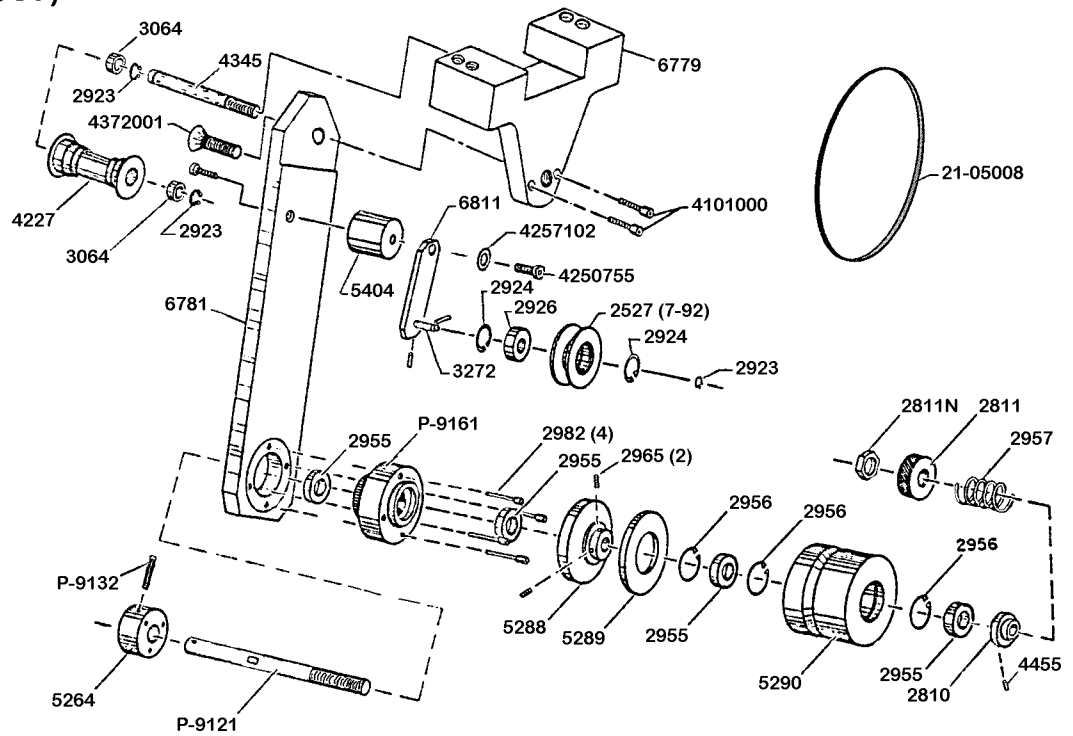
If you are not a qualified technician, please make no adjustments to anything you may read about in these Adobe manual downloads

www.film-tech.com

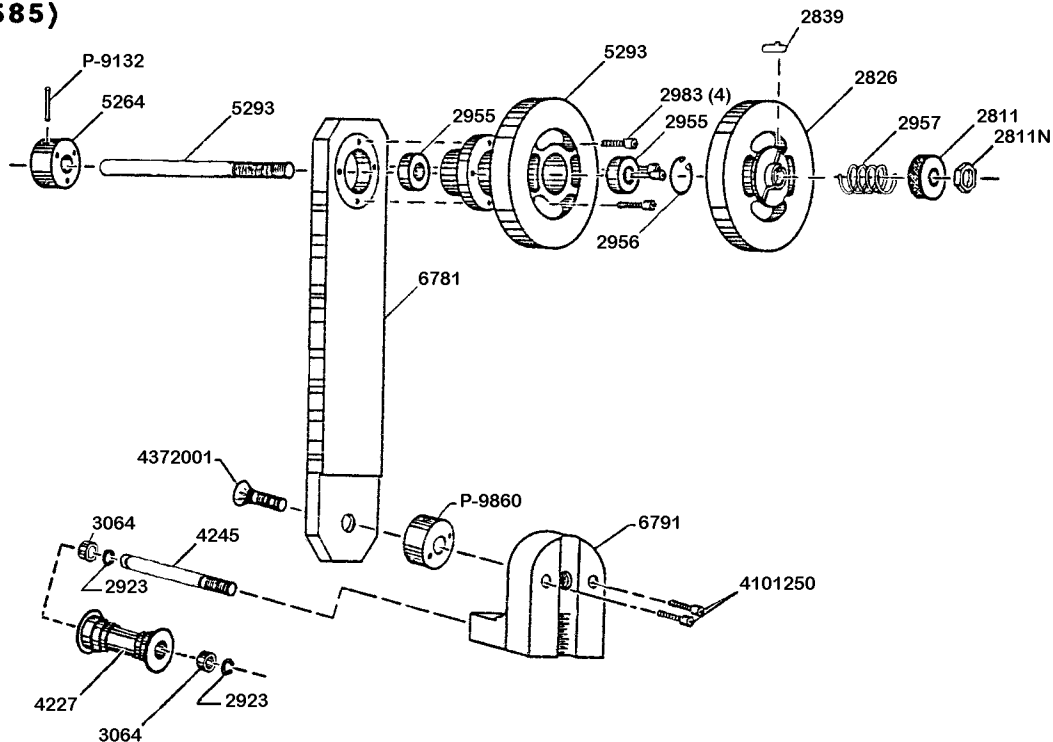
**7710 Simplex Upper Arm, 35mm
(22-60582)**



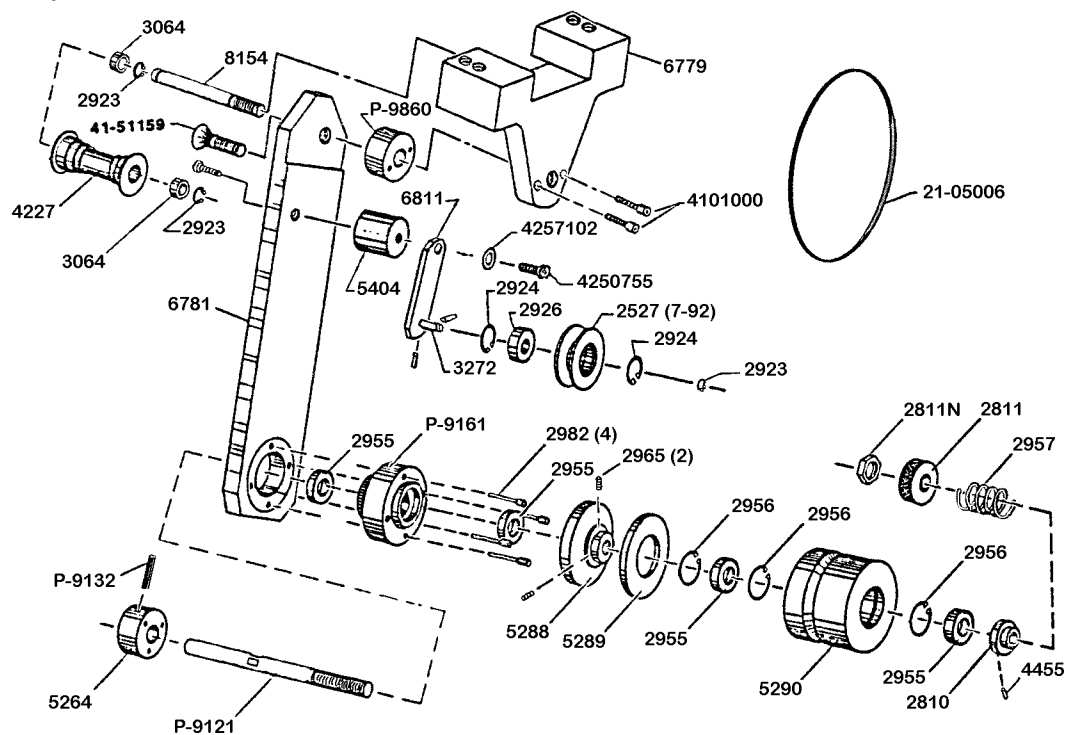
**7709 Simplex Lower Arm, 35mm
(22-60583)**



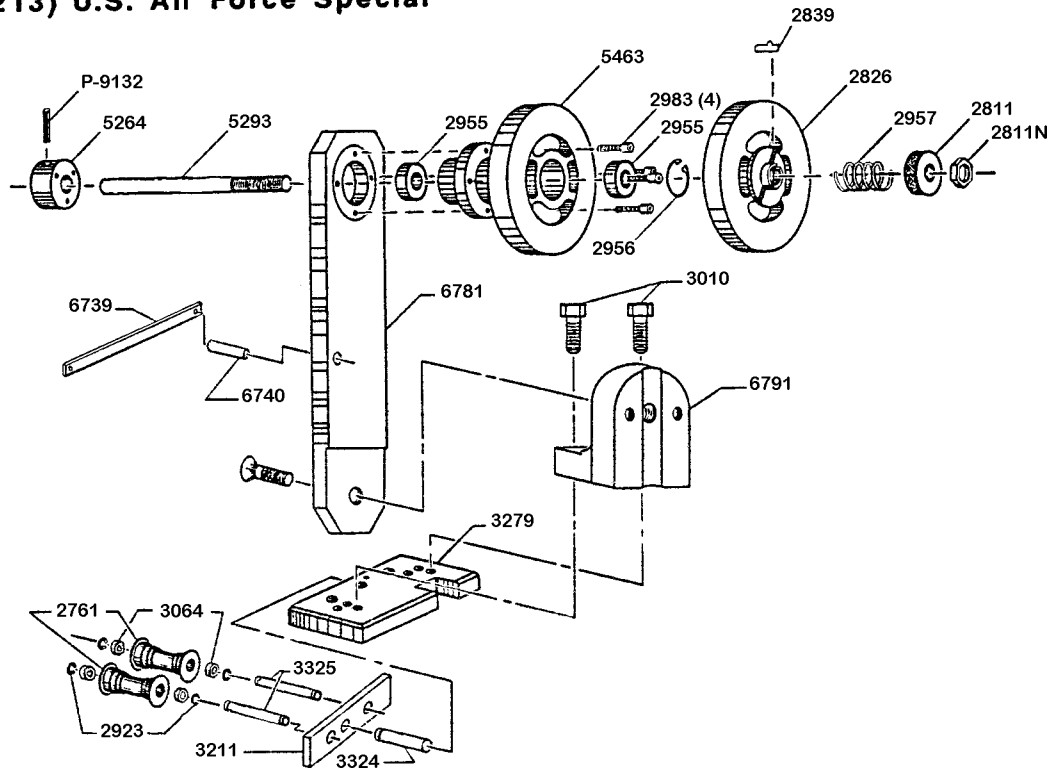
**8170 Simplex Upper Arm, 35/70mm
(22-60585)**



**8159 Simplex Lower Arm, 35/70mm
(22-60018)**



**8158 Simplex XL Upper Arm, 35mm
(22-60213) U.S. Air Force Special**



See the attached PARTS LIST for available Reel Shafts and Part Numbers.
Order replacement parts through authorized Strong International Dealers.

SIMPLEX REEL ARMS

Parts List

7710 Upper Arm Assembly, 35mm (22-60582)
8170 Upper Arm Assembly, 35/70mm (22-60585)
8158 Upper Arm Assembly, Special; U.S. Air Force, 35mm Simplex XL (22-60213)
7709 Lower Arm Assembly, 35mm (22-60583)
8159 Lower Arm Assembly, 35/70mm (22-60018)

5456 Reel Shaft, 5/16" 35mm (22-60447)
5457 Reel Shaft, 1/2" 35mm (22-60448)
5458 Reel Shaft, 1/2" 70mm (22-60446)

2527	Pulley (Ballantyne 7-92)	5264	Collar
2761	Roller (USAF only)	5288	Inner Friction Clutch
2761-A	Roller	5289	Friction Pad
2810	Spring Bushing	5290	Outer Friction Pulley
2811	Knurled Collar	5293	Shaft
2811N	Lock Nut, Hex	5404	Spacer
2826	Clutch Disc	5463	Clutch Disc
2839	Key	6739	Arm (USAF only)
2923	Snap Ring	6740	Arm Spacer (USAF only)
2924	Snap Ring	6779	Mounting Bracket
2926	Ball Bearing	6781	Reel Arm
2955	Ball Bearing	6791	Mounting Bracket
2956	Snap Ring	6799	Shaft
2957	Compression Spring	6811	Pulley Arm
2965	Set Screw	8154	Shaft
2982	Socket Head Cap Screw	P-9121	Shaft
2983	Socket Head Cap Screw	P-9132	Roll Pin
3010	Hex Head Cap Screw	P-9860	Spacer Bushing, 35/70mm
3064	Roller Spacer	21-05006	V-Belt
3211	Plate (USAF only)	21-05008	V-Belt
3272	Pulley Shaft	22-60463	Lubricant Fluid, Friction Pad
3279	Plate (USAF only)	4101000	Socket Head Cap Screw, 10-32 x 1"
3324	Shaft (USAF only)	4101250	Socket Head Cap Screw, 10-32 x 1-1/4"
4227	Roller, 35/70mm	4250755	Socket Head Cap Screw, 1/4-20 x 3/4"
4245	Shaft	4257102	Flat Washer, 1/4"
4455	Pin	4372001	Flat Socket Head Screw, 3/8-16 x 2"