

FILM-TECH

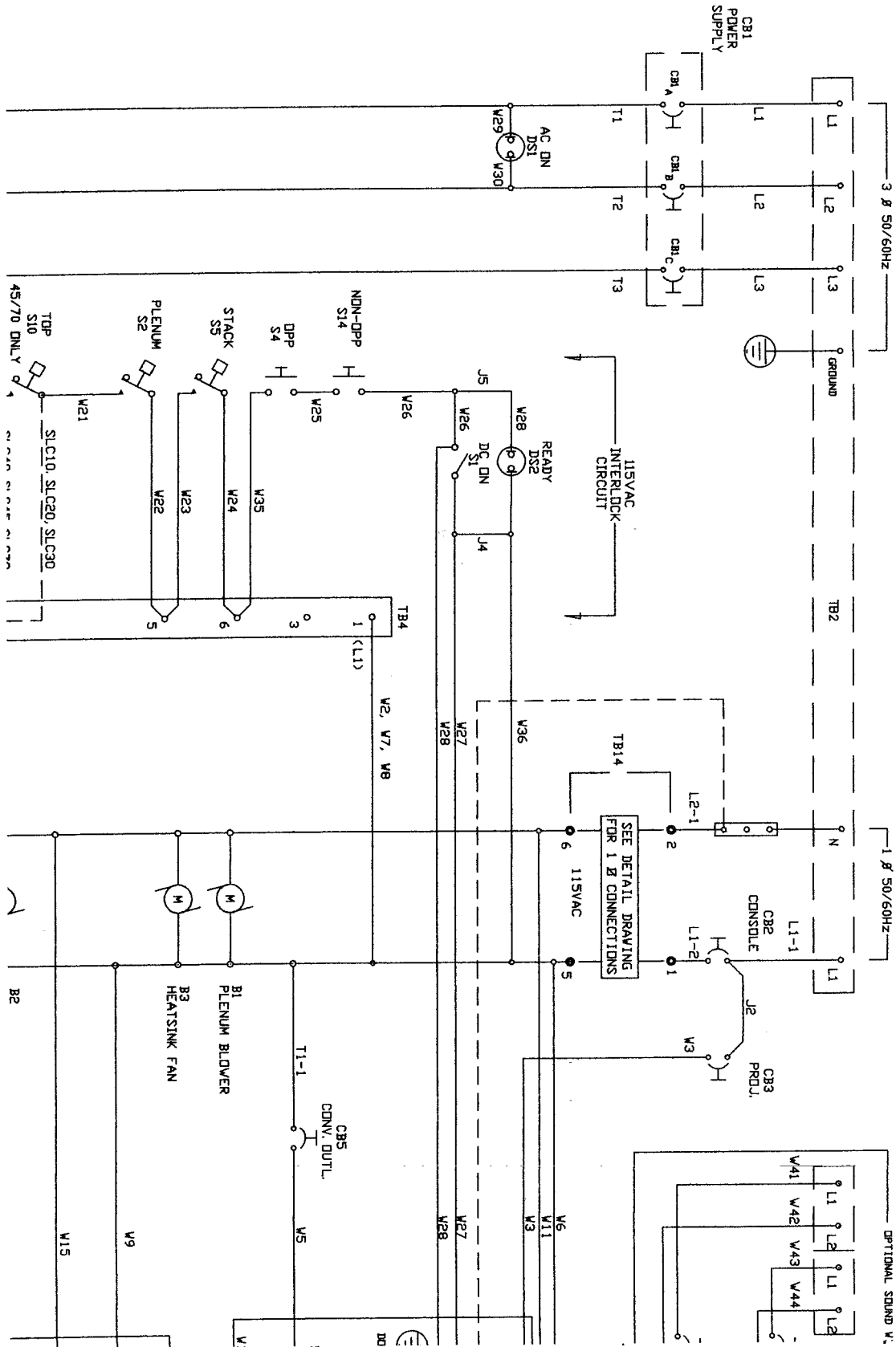
THE INFORMATION CONTAINED IN THIS ADOBE ACROBAT PDF FILE IS PROVIDED AT YOUR OWN RISK AND GOOD JUDGMENT.

THESE MANUALS ARE DESIGNED TO FACILITATE THE EXCHANGE OF INFORMATION RELATED TO CINEMA PROJECTION AND FILM HANDLING, WITH NO WARRANTIES NOR OBLIGATIONS FROM THE AUTHORS, FOR QUALIFIED FIELD SERVICE ENGINEERS.

IF YOU ARE NOT A QUALIFIED TECHNICIAN, PLEASE MAKE NO ADJUSTMENTS TO ANYTHING YOU MAY READ ABOUT IN THESE ADOBE MANUAL DOWNLOADS.

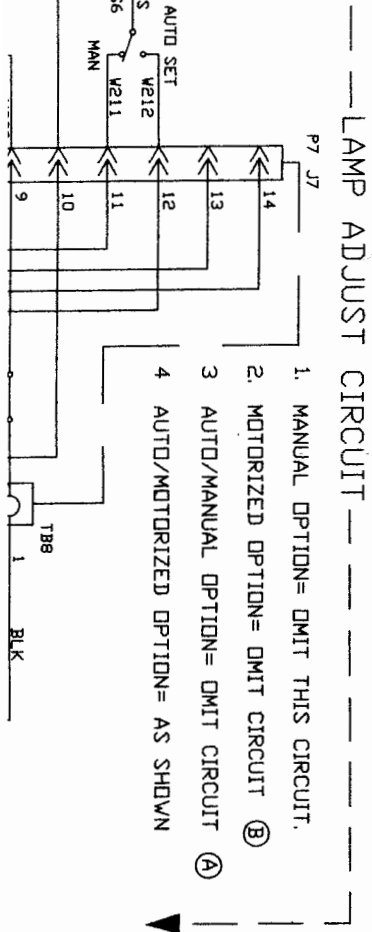
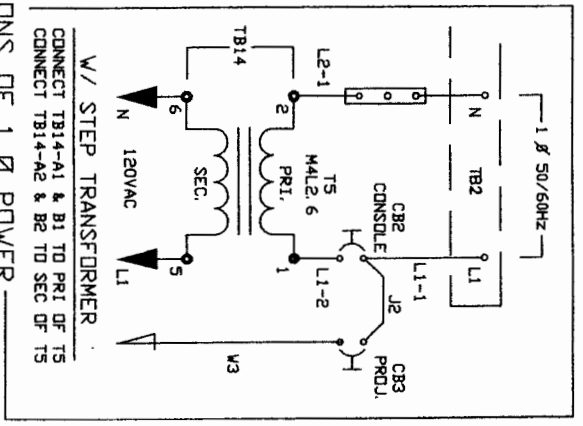
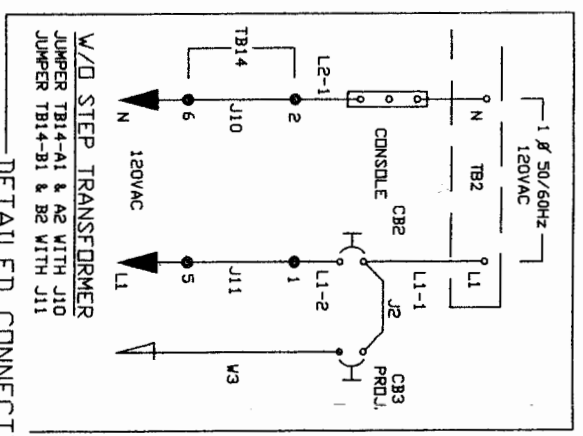
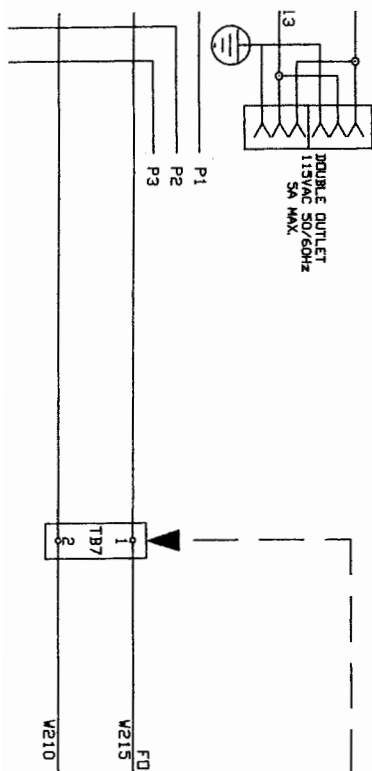
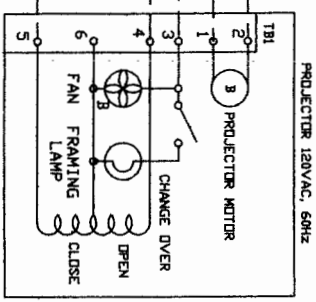
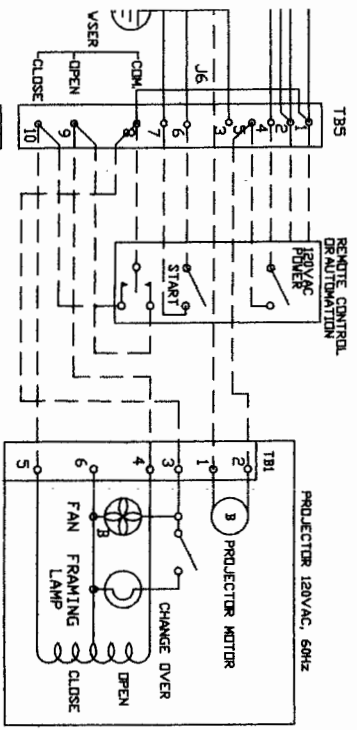
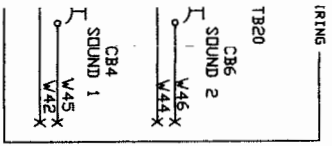
WWW.FILM-TECH.COM

THESE DRAWINGS AND SPECIFICATIONS ARE THE EXPRESS PROPERTY OF CHRISTIE DIGITAL SYSTEMS AND SHALL NOT BE REPRODUCED OR COPIED OR USED AS THE BASIS FOR THE MANUFACTURE OR SALE OF APPARATUS WITHOUT EXPRESS WRITTEN PERMISSION OF CHRISTIE DIGITAL SYSTEMS.



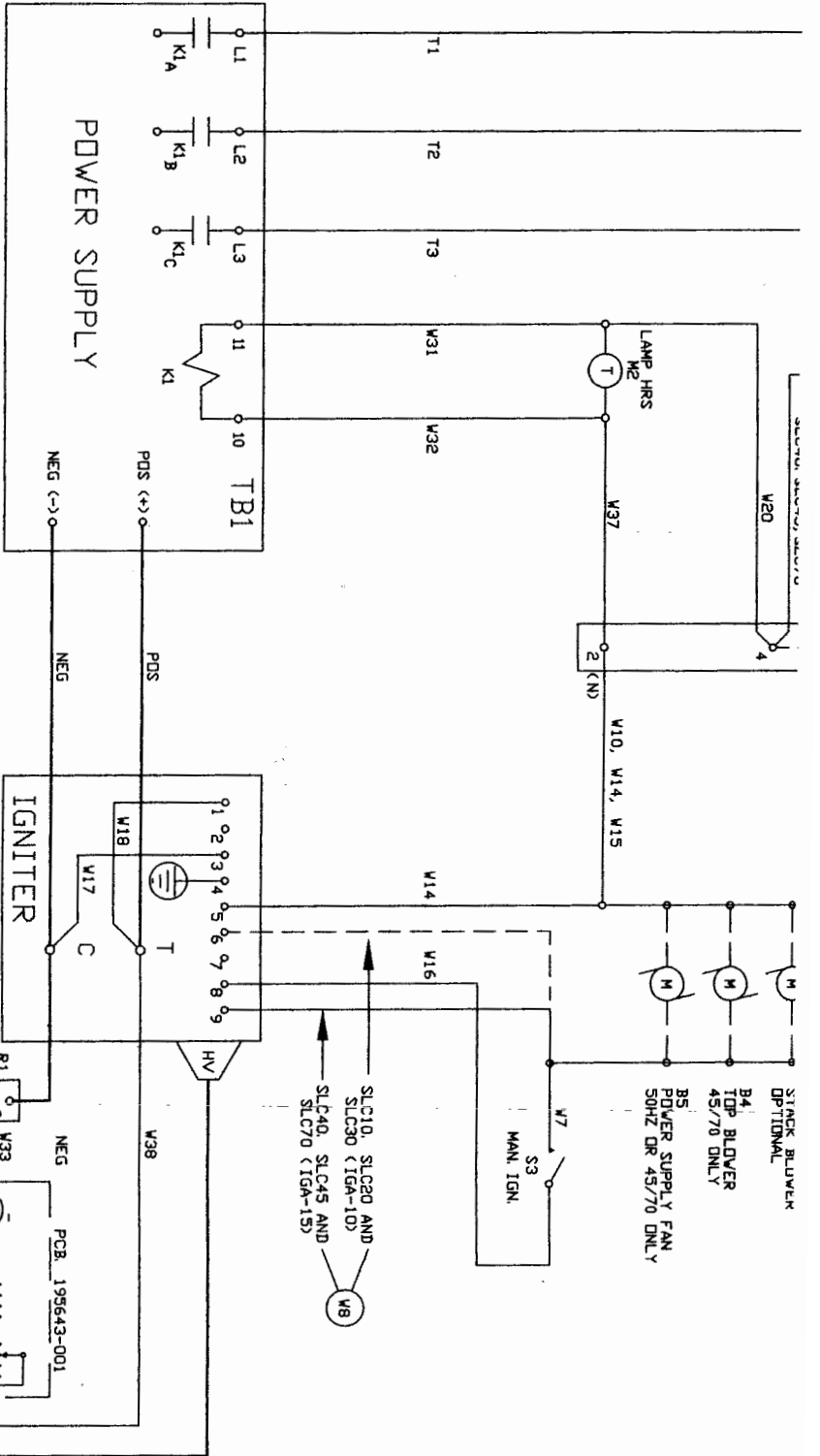
OPTIONAL SOUND W.

REVISIONS			DATE	APPROVED
ZONE	REV.	DESCRIPTION		
	A	ORIGINAL ISSUE	10.15.01	GJS



1. MANUAL OPTION= OMIT THIS CIRCUIT.
2. MOTORIZED OPTION= OMIT CIRCUIT (B)
3. AUTO/MANUAL OPTION= OMIT CIRCUIT (A)
4. AUTO/MOTORIZED OPTION= AS SHOWN

SYSTEM CIRCUIT	CURRENT DRAW	C.B.	TRIP
POWER SUPPLY	SLC20/30 = 16A		20A
	SLC40 = 23A	CB1	30A
	SLC45/70 = 34A		40A
AUTOM./CONSOLE	SLC20/30/40 = 6A	CB2	15A
	SLC45/70 = 10A		
PROJECTOR		CB3	15A
SOUND SYSTEM	2 X 25A	CB4/CB6	30A
CONV. OUTLET		CB5	15A

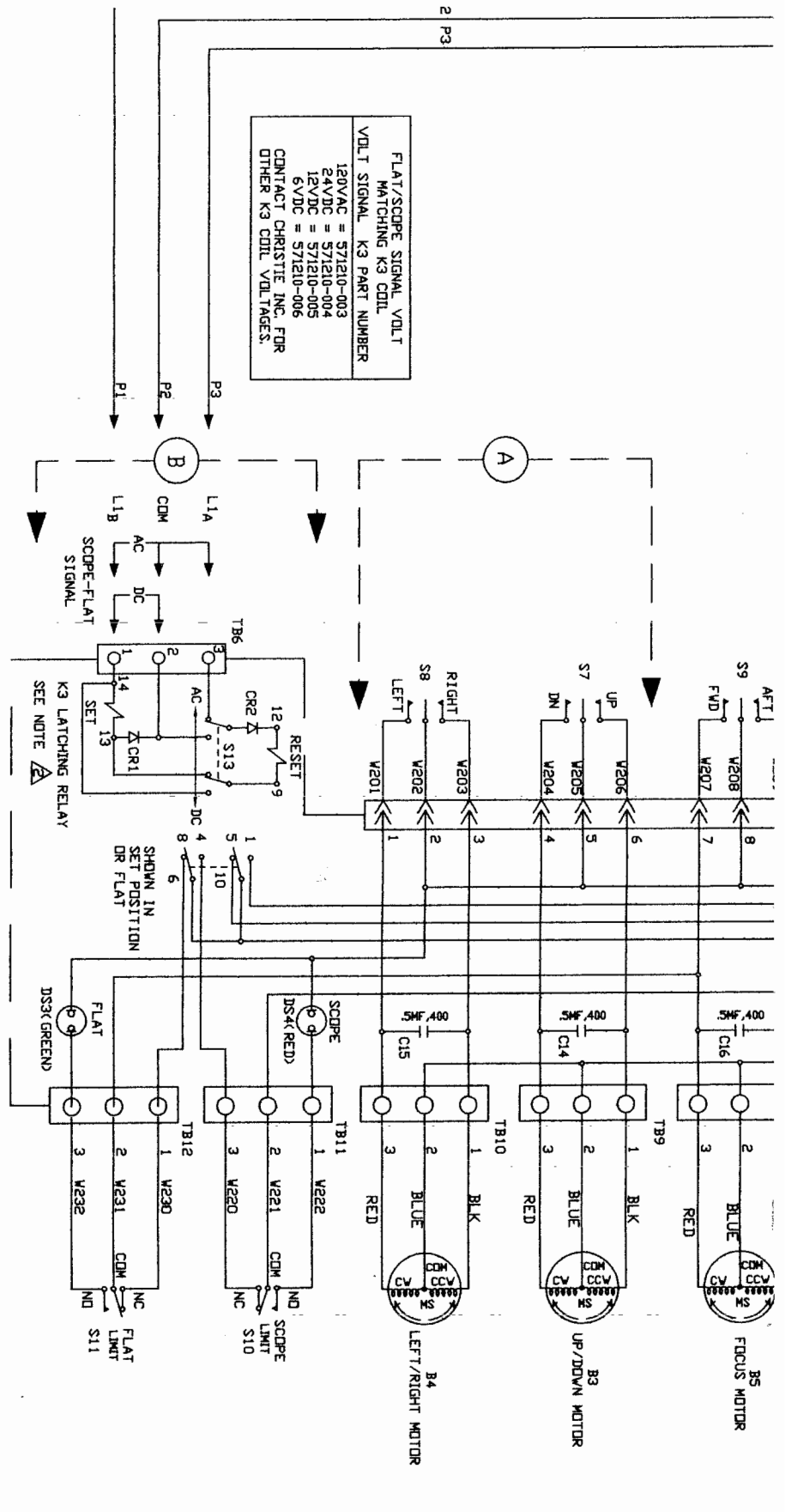


NOTES: UNLESS OTHERWISE SPECIFIED

SLC
NEXT A

FLAT/SCOPE SIGNAL VOLT
MATCHING K3 COIL
VOLT SIGNAL K3 PART NUMBER

120VAC = 571210-003
24VDC = 571210-004
12VDC = 571210-005
6VDC = 571210-006
CONTACT CHRISTIE INC. FOR
OTHER K3 COIL VOLTAGES.



QTY	CODE	PART OR IDENTIFYING NO.	NOMENCLATURE OR SPECIFICATION	MATERIAL SPECIFICATION	ITEM NO.
RECD	IDENT				

UNLESS OTHERWISE SPECIFIED DIMENSIONS ARE IN INCHES TOLERANCES ARE FRACTIONS DECIMALS ANGLES

CONTRACT NO.

APPROVALS

DRAWN GJS DATE 10/16/01

CHECKED

APPROVED

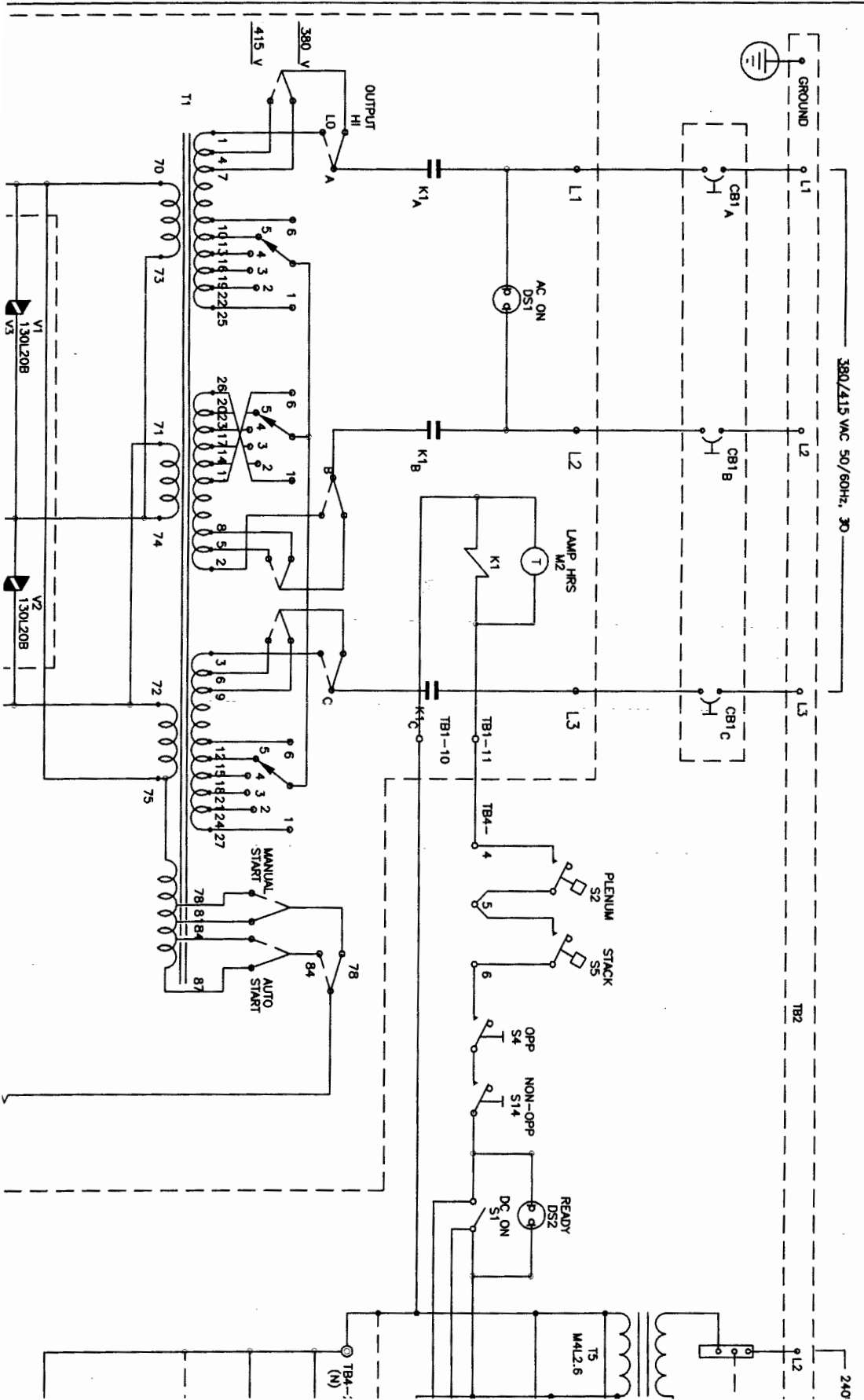
ISSUED

FINISH	N/A	SCALE	1:1	SHEET	1	OF	1
SSY	USED ON	SIZE	C	DWG. NO.	503478	REV.	A
APPLICATION	DD NOT SCALE DRAWING	CAGE NO.					

CHRISTIE
DIGITAL SYSTEMS

UNIVERSAL SCHEMATIC
SLC 115V INTERLOCK

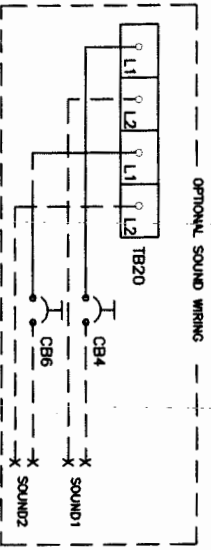
THESE DRAWINGS AND SPECIFICATION ARE THE EXPRESS PROPERTY OF CHRISTIE INCORPORATED, AND SHALL NOT BE REPRODUCED OR COPIED OR USED AS THE BASIS FOR THE MANUFACTURE OR SALE OF APPARATUS WITHOUT EXPRESS WRITTEN PERMISSION OF CHRISTIE INCORPORATED.



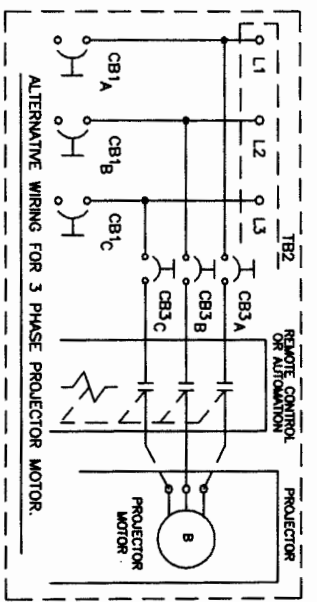
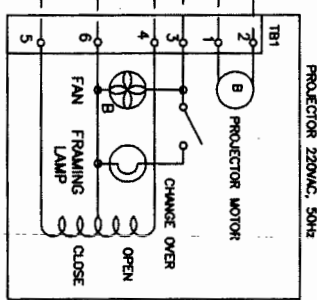
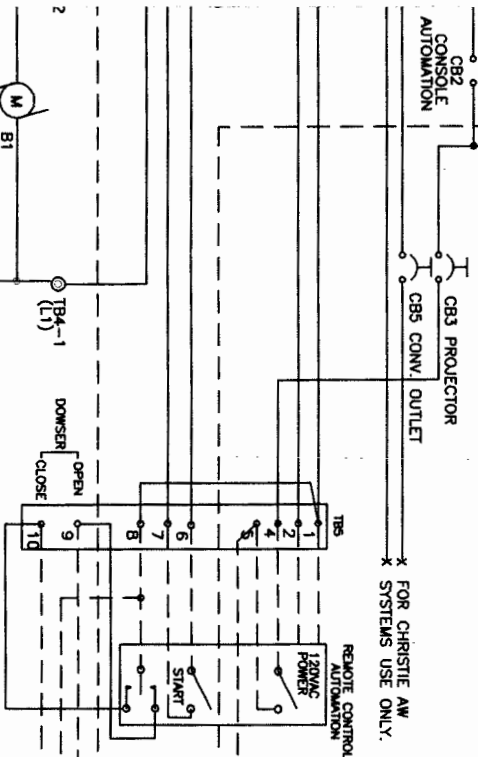
V1 130L20B
V2 130L20B
V3

380/415 VAC 50/60Hz, 3Ø
240
912
T5 MA12.6
TB4-N

SYSTEM CIRCUIT	CURRENT DRAW	CIRCUIT BREAKER
AUTOM./CONSOLE	SLC20/30/40 = 6 A SLC45/70 = 10 A	CB2 15A
PROJECTOR	2.9A	CB3 15A
CONV. OUTLET	5 A	CB5 15A
SOUND SYSTEM	2 X 25 A CB4/CB6 30A	30A
POWER SUPPLY	SLC20/30/40 = 26 A SLC45/70 = 36 A	CB1 40A

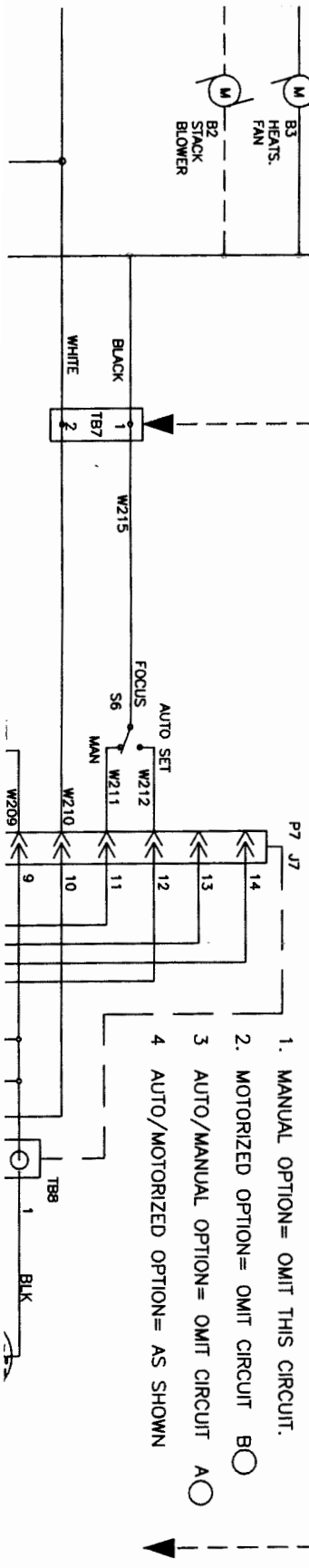


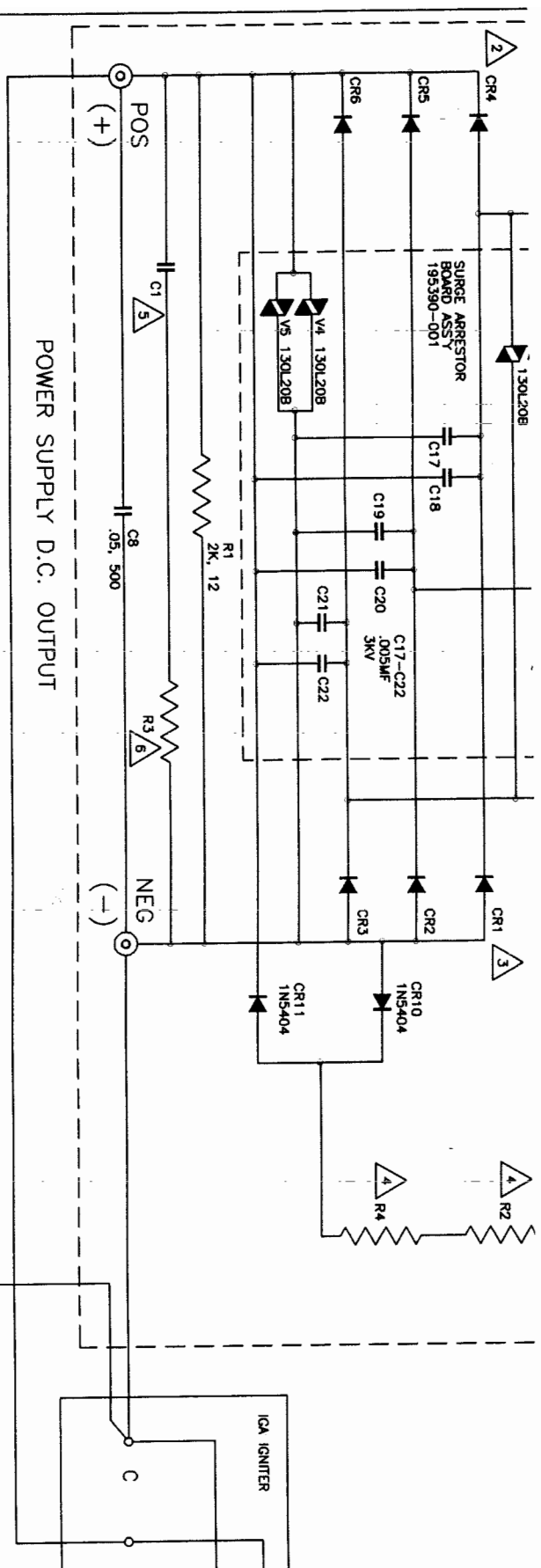
ZONE	REV.	DESCRIPTION	DATE	APPROVED
A	ORIGINAL	ISSUE		
B	REV. PER ECO# 23406	05.20.93	GJS	
C	REV. PER ECO# 23479	05.26.94	GJS	
D	REV. PER ECO# 23494	06.20.94	GJS	
E	REV. PER ECO# 23549	10.04.94	GJS	
F	REV. PER ECO# 23752	03.02.96	GJS	
G	REV. PER ECO# 24108	07.08.98	GJS	
H	REV. PER ECO# 24211	01/28/99	GJS	
J	REV. PER ECO# 24338	07/13/99	GJS	
K	REV. PER ECO# 24636	02.22.00	GJS	
L	REV. PER ECO# 24911	05.29.01	GJS	



LAMP ADJUST CIRCUIT

1. MANUAL OPTION = OMIT THIS CIRCUIT.
2. MOTORIZED OPTION = OMIT CIRCUIT B ○
3. AUTO/MANUAL OPTION = OMIT CIRCUIT A ○
4. AUTO/MOTORIZED OPTION = AS SHOWN





- 6 R3 = #15 NICHROME, 22" FOR SLC10
- 5 R3 = #14 NICHROME, 19" FOR SLC20
- 4 R3 = #15 NICHROME, 13.5" FOR SLC30
- 3 R3 = #12 NICHROME, 9" FOR SLC40

5 C1 = 6000MF, 160V FOR SLC10, SLC20 AND SLC30
 C1 = 22000MF, 160V FOR SLC40

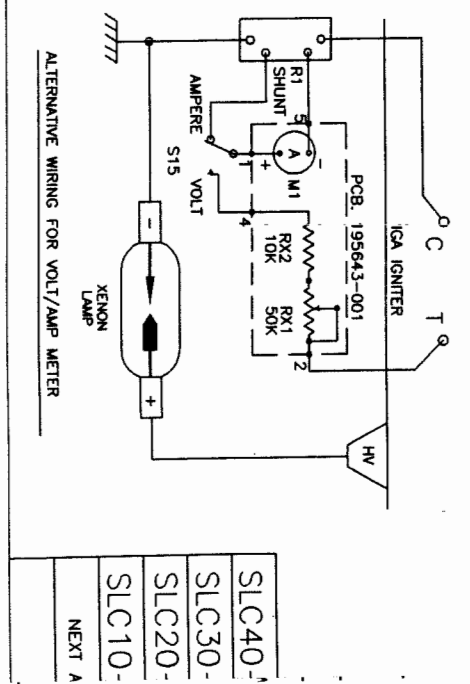
4 R2 AND R4:
 CONNECTED SERIES SLC10, SLC20, 50 OHM, 50 WATT
 CONNECTED SERIES SLC30, 50 OHM, 50 WATT
 CONNECTED PARALLEL SLC40, 50 OHM, 50 WATT

3 CR1, CR2 AND CR3=85HR100 FOR SLC10, SLC20 AND SLC30
 CR1, CR2 AND CR3=150KR60A FOR SLC40

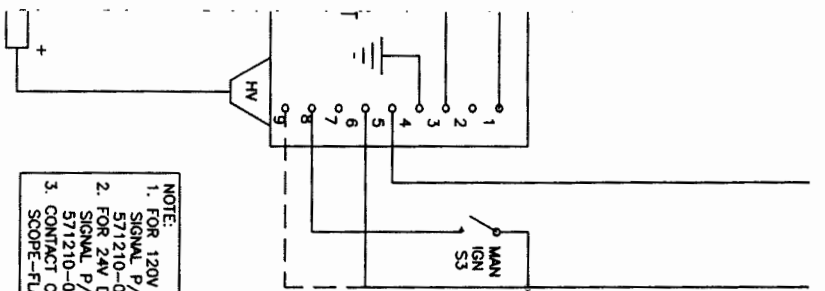
2 CR4, CR5 AND CR6=85HF100 FOR SLC10, SLC20 AND SLC30
 CR4, CR5 AND CR6=150K60A FOR SLC40

- 1. AS SHOWN CONSOLE IS SET IN HI-OUTPUT FOR ~~29AC~~
- 3 Ø INPUT AND CONNECTED FOR AUTOMATIC STARTING

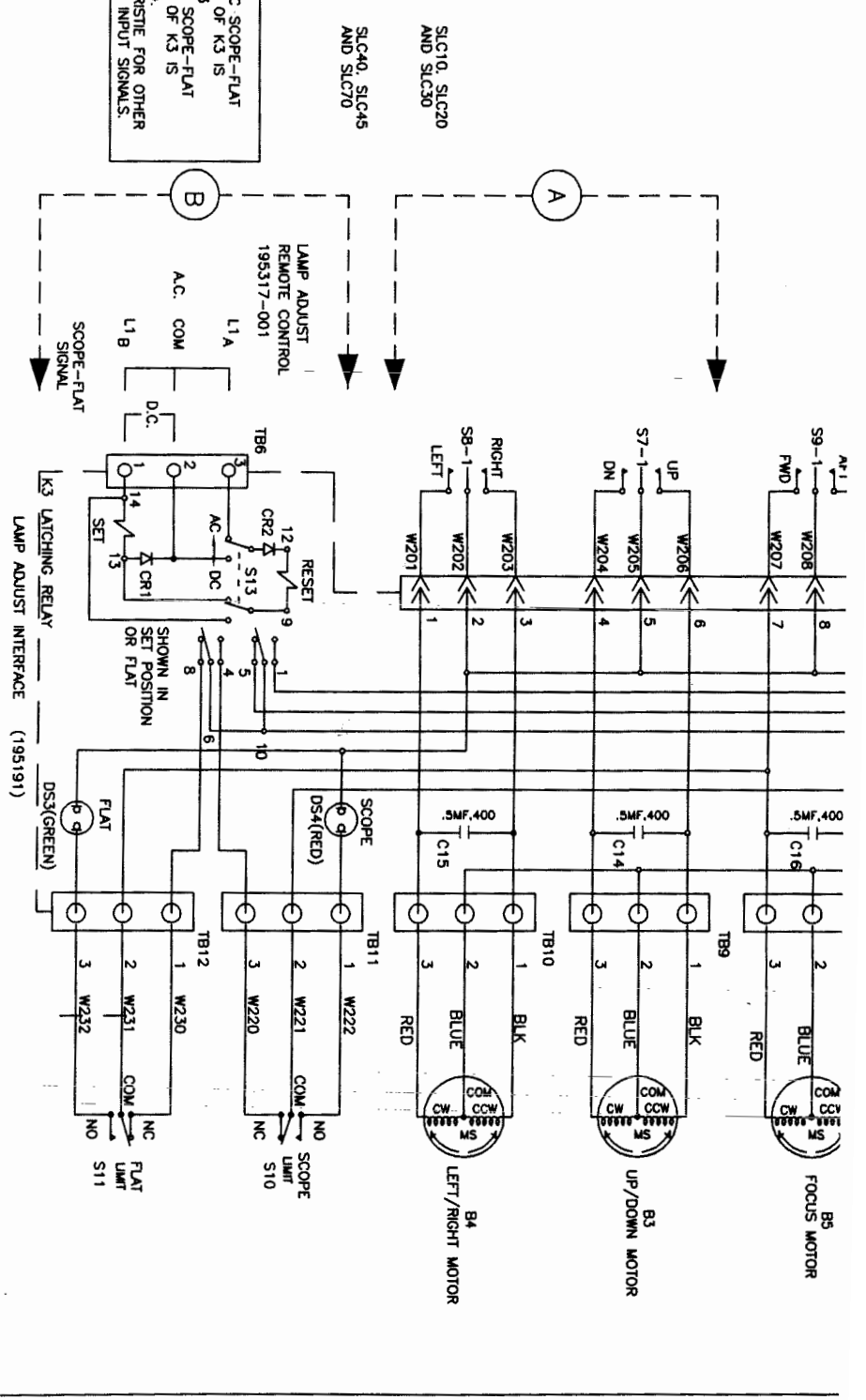
NOTES: UNLESS OTHERWISE SPECIFIED



SLC40-	
SLC30-	
SLC20-	
SLC10-	
NEXT A	



NOTE:
 1. FOR 120V AC SCOPE-FLAT SIGNAL P/N OF K3 IS 571210-003
 2. FOR 24V DC SCOPE-FLAT SIGNAL P/N OF K3 IS 571210-004
 3. CONTACT CHRISTIE FOR OTHER SCOPE-FLAT INPUT SIGNALS.



QTY	CODE	PART OR	NOMENCLATURE	MATERIAL	ITEM
RECD	IDENT	IDENTIFYING NO.	OR SPECIFICATION	SPECIFICATION	NO.
PARTS LIST					
UNLESS OTHERWISE SPECIFIED DIMENSIONS ARE IN INCHES TOLERANCES ARE FRACTIONS DECIMALS ANGLES			CONTRACT NO.		
±	XXX±	±	APPROVALS	DATE	
MATERIAL			DRAWN	05.20.93	
N/A			CHECKED		
FINISH			APPROVED		
N/A			ISSUED		
DO NOT SCALE DRAWING			SCALE	1:1	
APPLICATION			SHEET	1	OF 1



SCHEMATIC
 SLC 380/415V, 50/60HZ

SIZE CAGE NO. DWG. NO. 503335 REV. L