

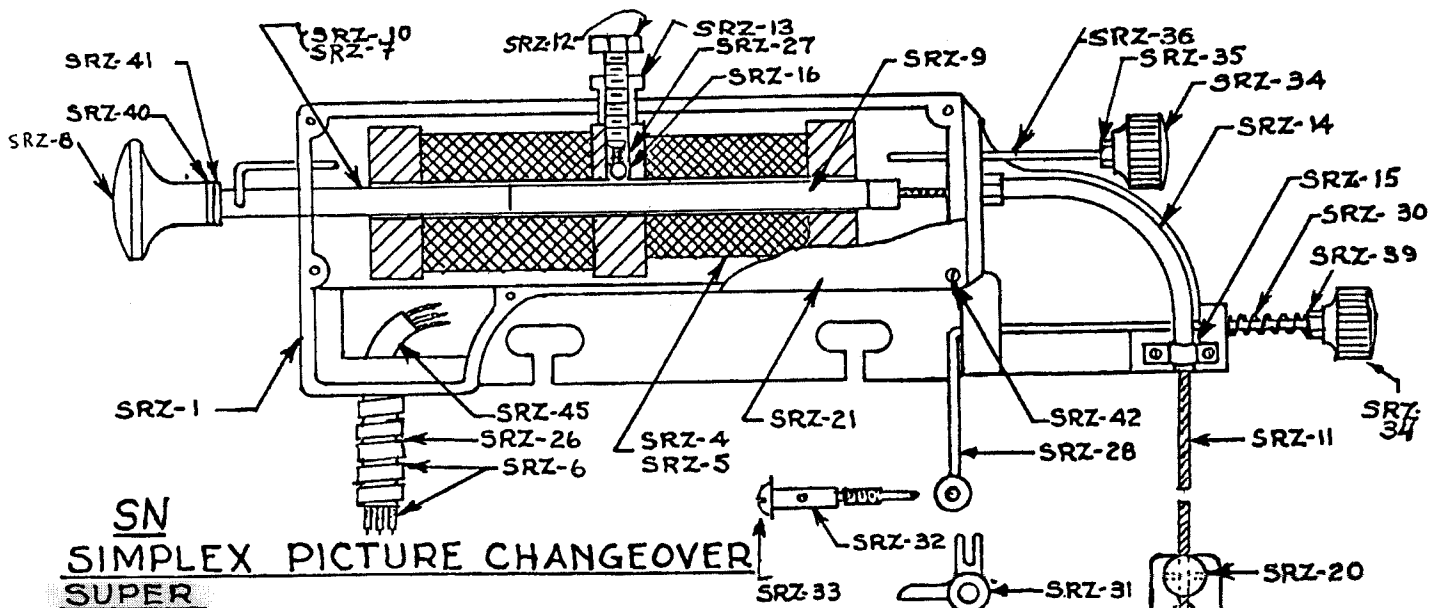
Film-Tech

The information contained in this Adobe Acrobat pdf file is provided at your own risk and good judgment.

These manuals are designed to facilitate the exchange of information related to cinema projection and film handling, with no warranties nor obligations from the authors, for qualified field service engineers.

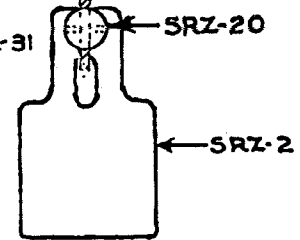
If you are not a qualified technician, please make no adjustments to anything you may read about in these Adobe manual downloads.

www.film-tech.com



SN
SIMPLEX PICTURE CHANGEOVER
SUPER

PART NO.	DESCRIPTION	PRICE
SRZ-1	Main Casting	\$56.09
SRZ-2	Shutter	7.71
SRZ-4	A. C. Coil	55.25
SRZ-5	D. C. Coil	60.10
SRZ-6	Three Wires in Flexible Armor	13.46
SRZ-7	Armature Assembly complete with Flexible Shaft and Knob	25.96
SRZ-8	Armature Knob	2.89
SRZ-9	Steel Armature Section	7.71
SRZ-10	Brass Armature Section	9.57
SRZ-11	Flexible Shaft and Connector	9.57
SRZ-12	Adjustment Screw	1.91
SRZ-13	Adjustment Screw Locknut	1.91
SRZ-14	Flexible Shaft Tube	7.71
SRZ-15	Flexible Shaft Tube Clamp	.97
SRZ-16	Ball Bearing	.97
SRZ-19	Mounting Brackets with hardware	21.24
SRZ-20	Shutter Swival with Set Screws	5.76
SRZ-21	Name Plate	7.71
SRZ-26	Flexible Armor only	2.89
SRZ-27	Tension Spring	.97
SRZ-28	Fire Shutter Lift Rod	7.71
SRZ-30	Fire Shutter Lift Rod Spring	.97
SRZ-31	Fire Shutter Lift Rod Toggle	7.71
SRZ-32	Fire Shutter Lift Rod Toggle Stud	4.15
SRZ-33	Fire Shutter Lift Rod Stud, Screw & Washer	.97
SRZ-34	Hand Rod Knob	2.89
SRZ-35	Hand Rod Knob Locknut	.52
SRZ-36	Hand Rod	6.42
SRZ-39	Fire Shutter Lift Rod Knob Locknut	.52
SRZ-40	Washer	.52
SRZ-41	Lock Washer	.52
SRZ-42	Drive Screws 7 pcs.	1.07
SRZ-43	Armor Set Screws (set)	.79
SRZ-44	Coil Mounting Screw & Washer	1.33
SRZ-45	Insulator Bushing	.52



← NOT PICTURED