

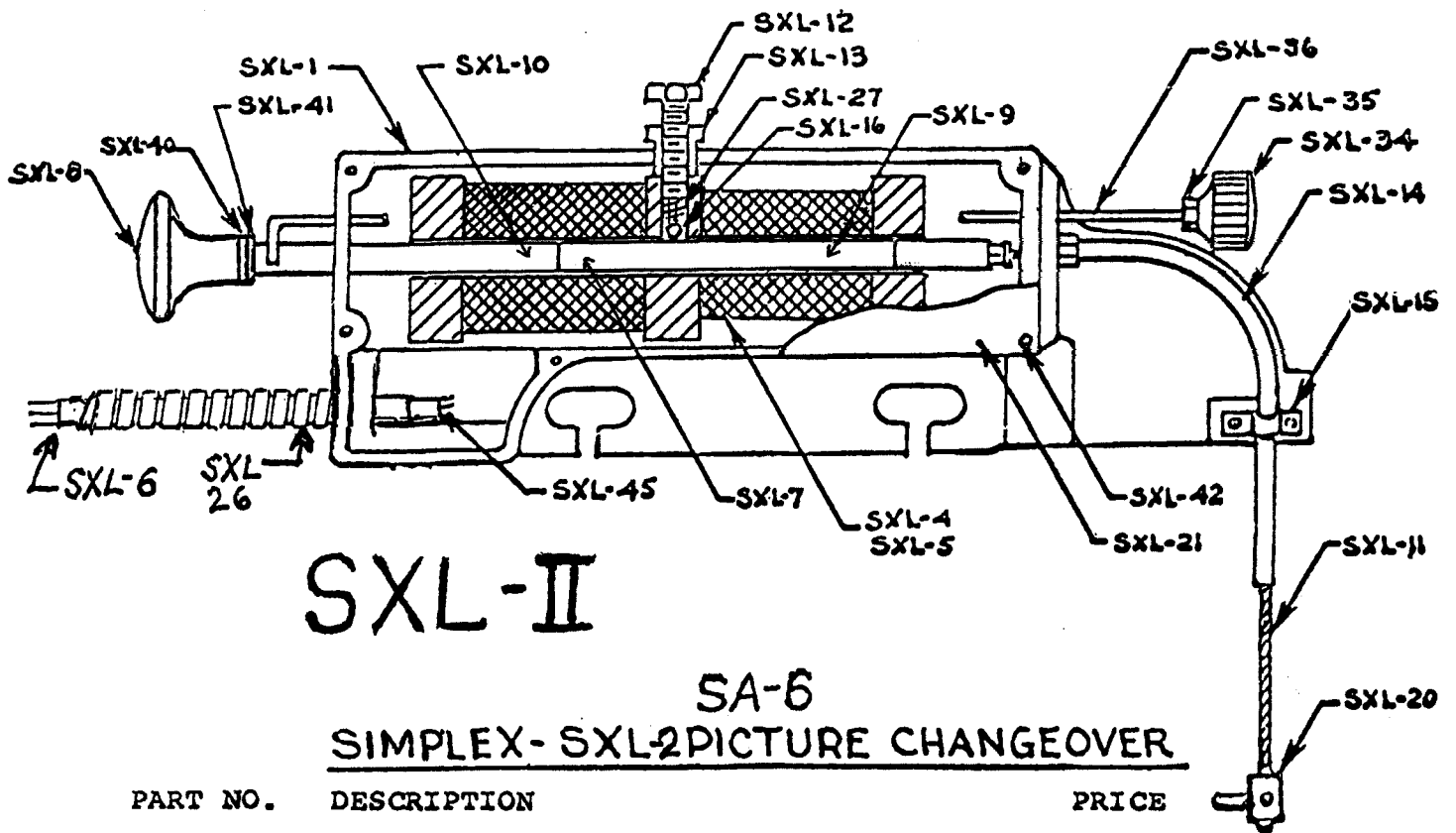
# Fil m-Tech

The information contained in this Adobe Acrobat pdf file is provided at your own risk and good judgment.

These manual s are designed to facil itate the exchange of information rel ated to cinema projection and fil m handl ing, with no warranties nor obligations from the authors, for qual ified fiel d service engineers.

If you are not a qual ified technician, pl ease make no adjustments to anything you may read about in these Adobe manual downl oads.

[www.fil m-tech.com](http://www.fil m-tech.com)



# SXL-II

## SA-6

### SIMPLEX-SXL-2 PICTURE CHANGEOVER

PART NO.	DESCRIPTION	PRICE
SXL-1	Main Casting .....	\$56.09
SXL-4	A. C. Coil .....	55.25
SXL-5	D. C. Coil .....	60.10
SXL-6	Three Wires in Flexible Armor .....	13.46
SXL-7	Armature Assembly Complete with Flexible Shaft & Knob .....	25.96
SXL-8	Armature Knob .....	2.89
SXL-9	Steel Armature Section .....	7.71
SXL-10	Brass Armature Section .....	9.57
SXL-11	Flexible Shaft and Connector .....	9.57
SXL-12	Adjustment Screw .....	1.91
SXL-13	Adjustment Screw Locknut .....	1.91
SXL-14	Flexible Shaft Tube .....	7.71
SXL-15	Flexible Shaft Tube Clamp .....	.97
SXL-16	Ball Bearing .....	.97
SXL-19II	Mounting Brackets with hardware .....	21.24 ← NOT PICTURED
SXL-20	Shutter Swival with Set Screws .....	5.76
SXL-21	Name Plate .....	7.71
SXL-26	Flexible Armor only .....	2.89
SXL-27	Tension Spring .....	.97
SXL-34	Hand Rod Knob .....	2.89
SXL-35	Hand Rod Knob Locknut .....	.52
SXL-36	Hand Rod .....	6.42
SXL-40	Washer .....	.52
SXL-41	Lockwasher .....	.52
SXL-42	Drive Screws .... 7 pcs. ....	1.07
SXL-43	Armor Set Screws .....	.79
SXL-44	Coil Mounting Screws & Washers .....	1.33
SXL-45	Insulator Bushing .....	.52