

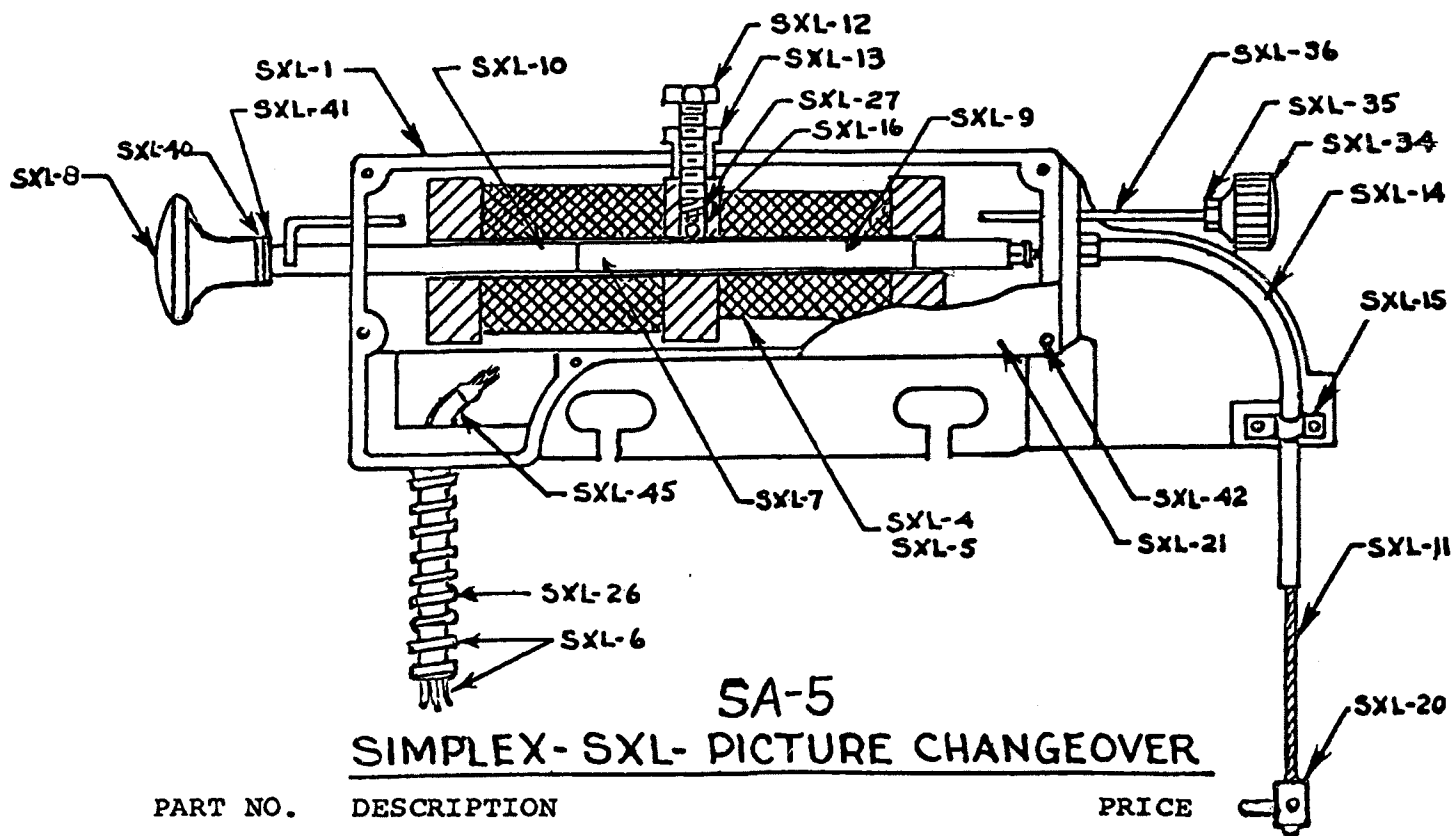
Film-Tech

The information contained in this Adobe Acrobat pdf file is provided at your own risk and good judgment.

These manuals are designed to facilitate the exchange of information related to cinema projection and film handling, with no warranties nor obligations from the authors, for qualified field service engineers.

If you are not a qualified technician, please make no adjustments to anything you may read about in these Adobe manual downloads.

www.film-tech.com



PART NO.	DESCRIPTION	PRICE
SXL-1	Main Casting	\$56.09
SXL-4	A. C. Coil	55.25
SXL-5	D. C. Coil	60.10
SXL-6	Three Wires in Flexible Armor	13.46
SXL-7	Armature Assembly Complete with Flexible Shaft & Knob	25.96
SXL-8	Armature Knob	2.89
SXL-9	Steel Armature Section	7.71
SXL-10	Brass Armature Section	9.57
SXL-11	Flexible Shaft and Connector	9.57
SXL-12	Adjustment Screw	1.91
SXL-13	Adjustment Screw Locknut	1.91
SXL-14	Flexible Shaft Tube	7.71
SXL-15	Flexible Shaft Tube Clamp97
SXL-16	Ball Bearing97
SXL-19	Mounting Brackets with hardware	21.24 ← NOT PICTURED
SXL-20	Shutter Swival with Set Screws	5.76
SXL-21	Name Plate	7.71
SXL-26	Flexible Armor only	2.89
SXL-27	Tension Spring97
SXL-34	Hand Rod Knob	2.89
SXL-35	Hand Rod Knob Locknut52
SXL-36	Hand Rod	6.42
SXL-40	Washer52
SXL-41	Lockwasher52
SXL-42	Drive Screws 7 pcs.	1.07
SXL-43	Armor Set Screws79
SXL-44	Coil Mounting Screws & Washers	1.33
SXL-45	Insulator Bushing52