

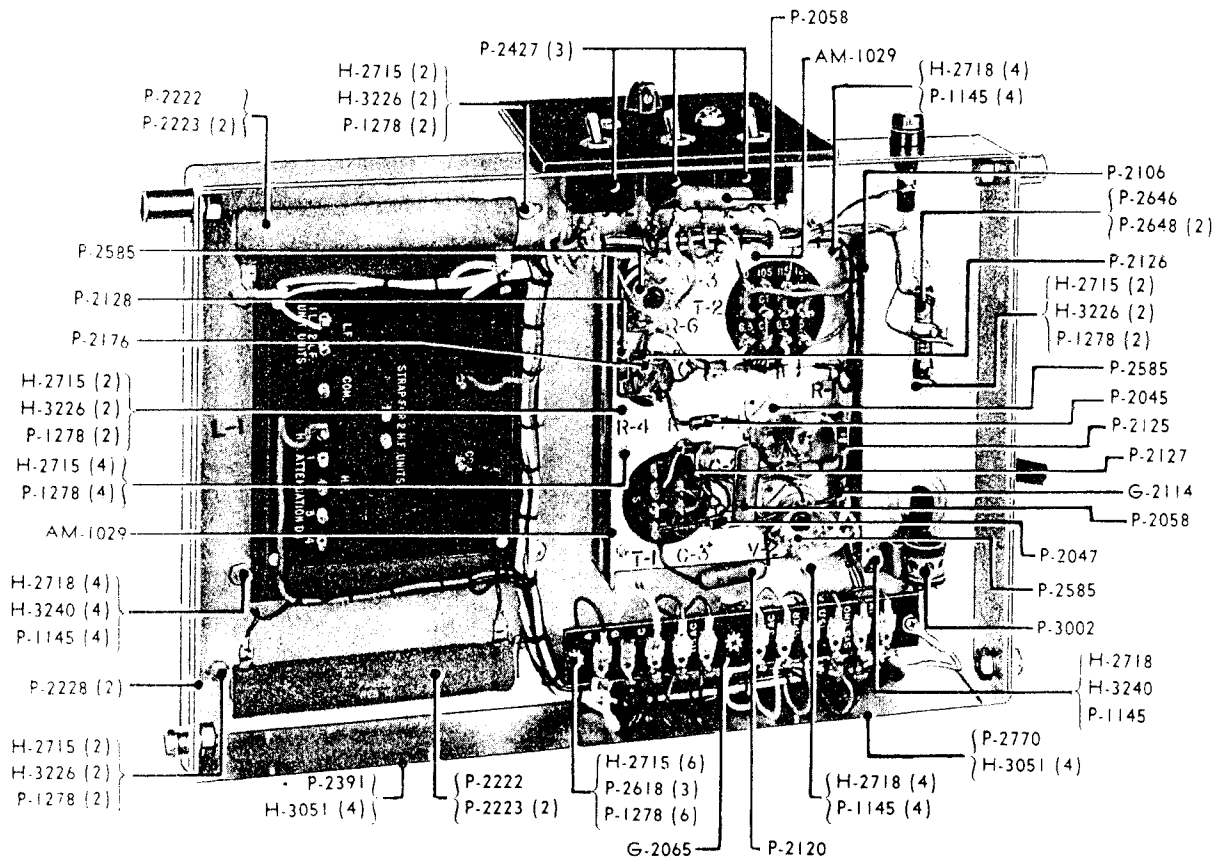
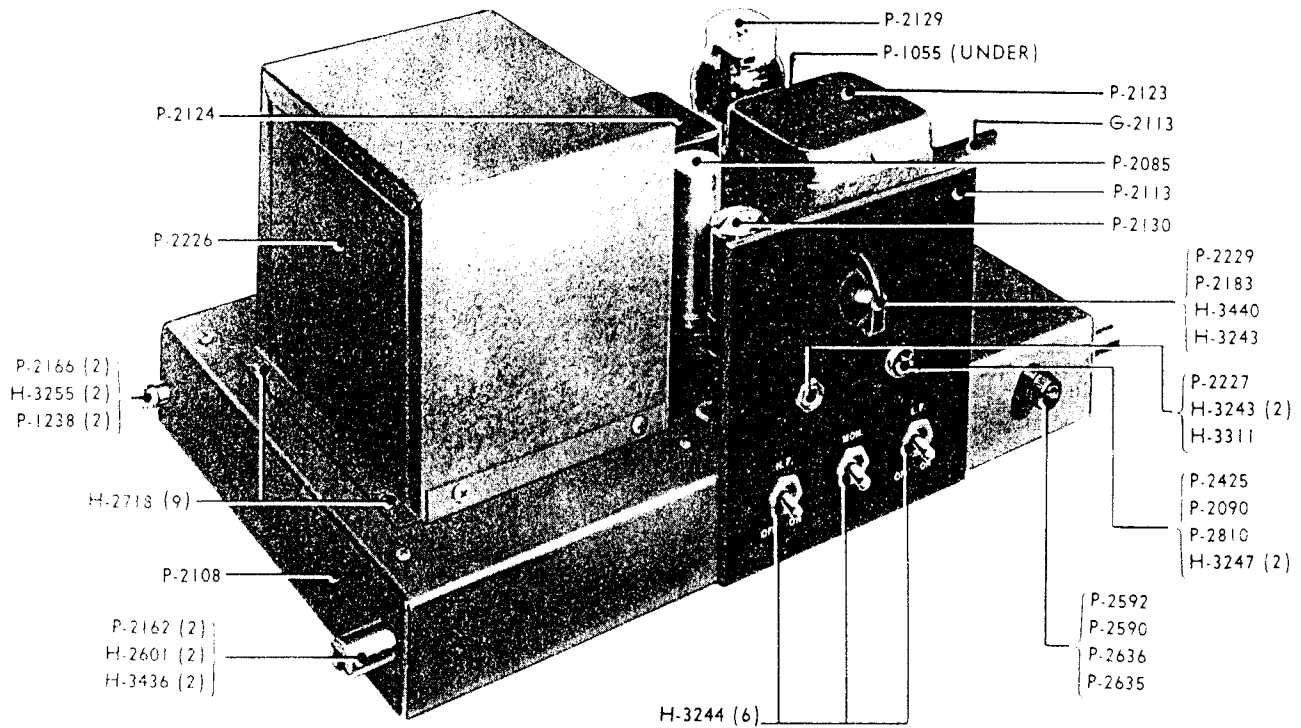
Film-Tech

The information contained in this Adobe Acrobat pdf file is provided at your own risk and good judgment.

These manuals are designed to facilitate the exchange of information related to cinema projection and film handling, with no warranties nor obligations from the authors, for qualified field service engineers.

If you are not a qualified technician, please make no adjustments to anything you may read about in these Adobe manual downloads.

www.film-tech.com



LU-1103 LOUDSPEAKER NETWORK
(Includes AM-1029 Monitor Amplifier)

LU-1103 LOUDSPEAKER NETWORK

(Includes AM-1029 Monitor Amplifier)

G-2065	Terminal Strip	P-2090	Pilot Light Socket
G-2113	Cable Form	P-2108	Chassis
		P-2113	Front Panel
H-2601	Chassis Stop Stud Fastening Screw (2)	P-2162	Chassis Stop Stud (2)
H-2715	Resistor Mounting-Terminal Strip Fastening Screw (12)	P-2166	Chassis Stop Screw (2)
H-2718	Network-Amplifier Fastening Screw (9)	P-2183	Monitor Volume Control Knob
H-3051	Nameplate-License Plate Fastening Screw (8)	P-2222	Resistor, 15 ohms, 50 watt (2)
H-3226	Resistor Bracket Fastening Nut (6)	P-2223	Resistor Mounting Bracket (4)
H-3240	Network Fastening Nut (5)	P-2226	Dividing Network
H-3243	Test Jack-Monitor Volume Control Fastening Nut (3)	P-2227	Test Jack
H-3244	Switch Fastening Nut (6)	P-2228	Chassis Reinforcement Plate (2)
H-3247	Pilot Light Lens Fastening Nut (2)	P-2229	Monitor Volume Control
H-3255	Chassis Stop Screw Fastening Nut (2)	P-2391	License Plate
H-3311	Test Jack Washer	P-2425	Pilot Light, 6-8V
H-3436	Chassis Stop Stud Lockwasher (2)	P-2427	Monitor Amplifier Power-HF-LF Testing Switch, D.P.D.T. Toggle (3)
H-3440	Volume Control Lockwasher	P-2590	Fuse Holder
		P-2592	Fuse, 1 Amp. Cartridge Fusetron
P-1145	Network-Amplifier Lockwasher (9)	P-2618	Terminal Strip Mounting Stud (3)
P-1238	Chassis Stop Screw Lockwasher (2)	P-2635	Fuse Holder Rubber Washer
P-1278	Resistor-Terminal Strip Lockwasher (12)	P-2636	Fuse Holder Fastening Nut
P-2058	Capacitor, 0.01 mf, 600V	P-2646	Resistor, 100 ohms, 10 watt
		P-2648	Resistor Mounting Bracket (2)
		P-2770	Nameplate
		P-2810	Pilot Light Lens
		P-3002	Cable Clamp

AM-1029 MONITOR AMPLIFIER

G-2114	Cable Form	P-2085	Capacitor, 20/25, 20/450, 20/450 Electrolytic
H-2715	Output Transformer-Capacitor Plate Fastening Screw (6)	P-2106	Chassis
H-2718	Power Transformer Fastening Screw (4)	P-2120	Capacitor, 0.001 mf, 600V
H-3226	Capacitor Plate Fastening Nut (2)	P-2123	Power Transformer
P-1055	Vacuum Tube, 6SL7-GT	P-2124	Output Transformer
P-1145	Power Transformer Lockwasher (4)	P-2125	Resistor, 1,500 ohms, 1 watt
P-1278	Output Transformer-Capacitor Plate Lockwasher (6)	P-2126	Resistor, 22,000 ohms, 1 watt
P-2045	Resistor, 0.1 Meg., 1 watt	P-2127	Resistor, 2,700 ohms, 1 watt
P-2047	Resistor, 0.51 Meg., 1 watt	P-2128	Resistor, 330 ohms, 2 watt
P-2058	Capacitor, 0.01 mf, 600V	P-2129	Vacuum Tube, 6L6-G
		P-2130	Vacuum Tube, 5Y3-GT
		P-2176	Capacitor Mounting Plate
		P-2585	Vacuum Tube Socket, Octal (3)