

# Film-Tech

The information contained in this Adobe Acrobat pdf file is provided at your own risk and good judgment.

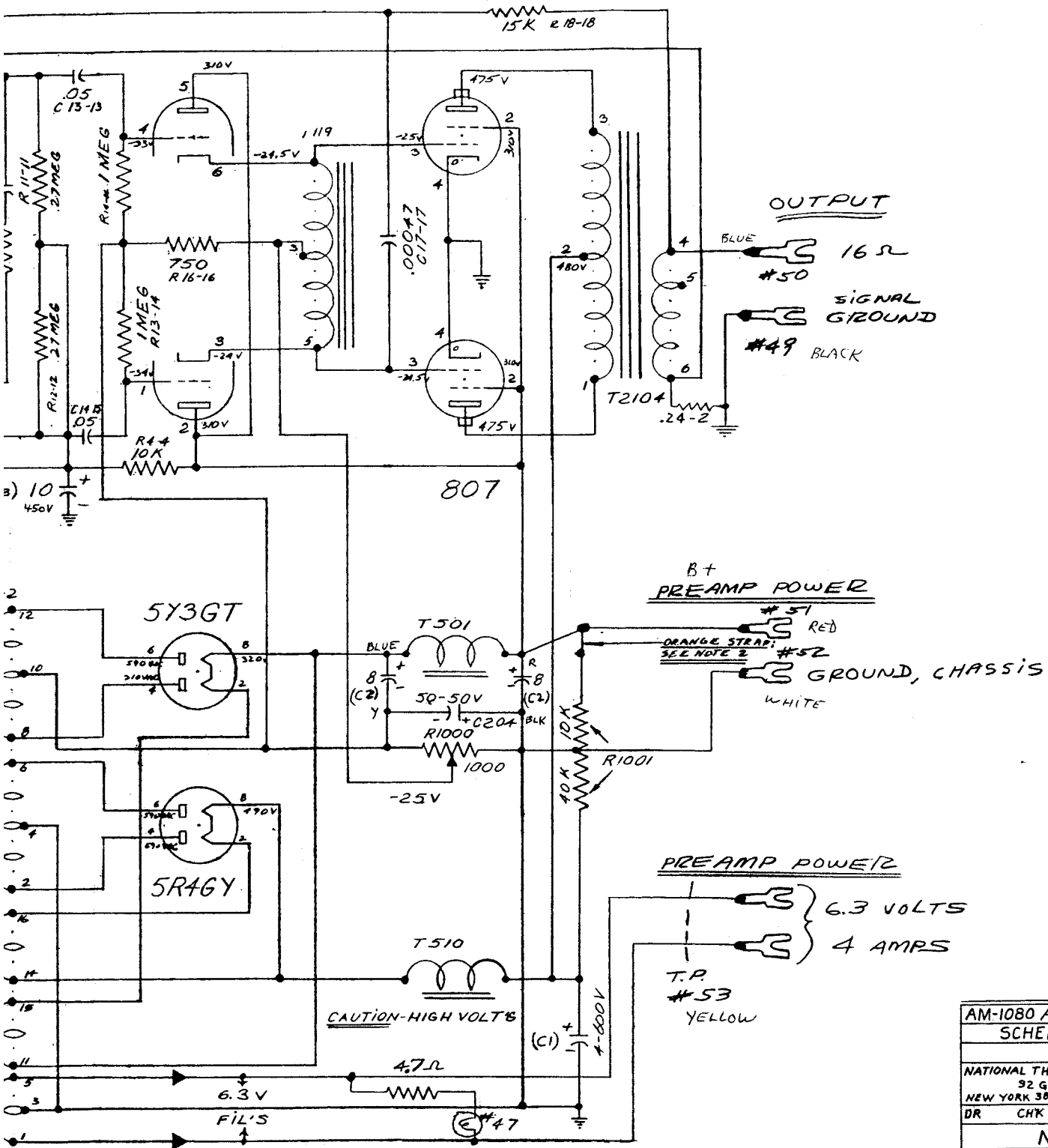
These manuals are designed to facilitate the exchange of information related to cinema projection and film handling, with no warranties nor obligations from the authors, for qualified field service engineers.

If you are not a qualified technician, please make no adjustments to anything you may read about in these Adobe manual downloads.

[www.film-tech.com](http://www.film-tech.com)

6SN7GT

807



AM-1080 AMPLIFIER  
SCHEMATIC

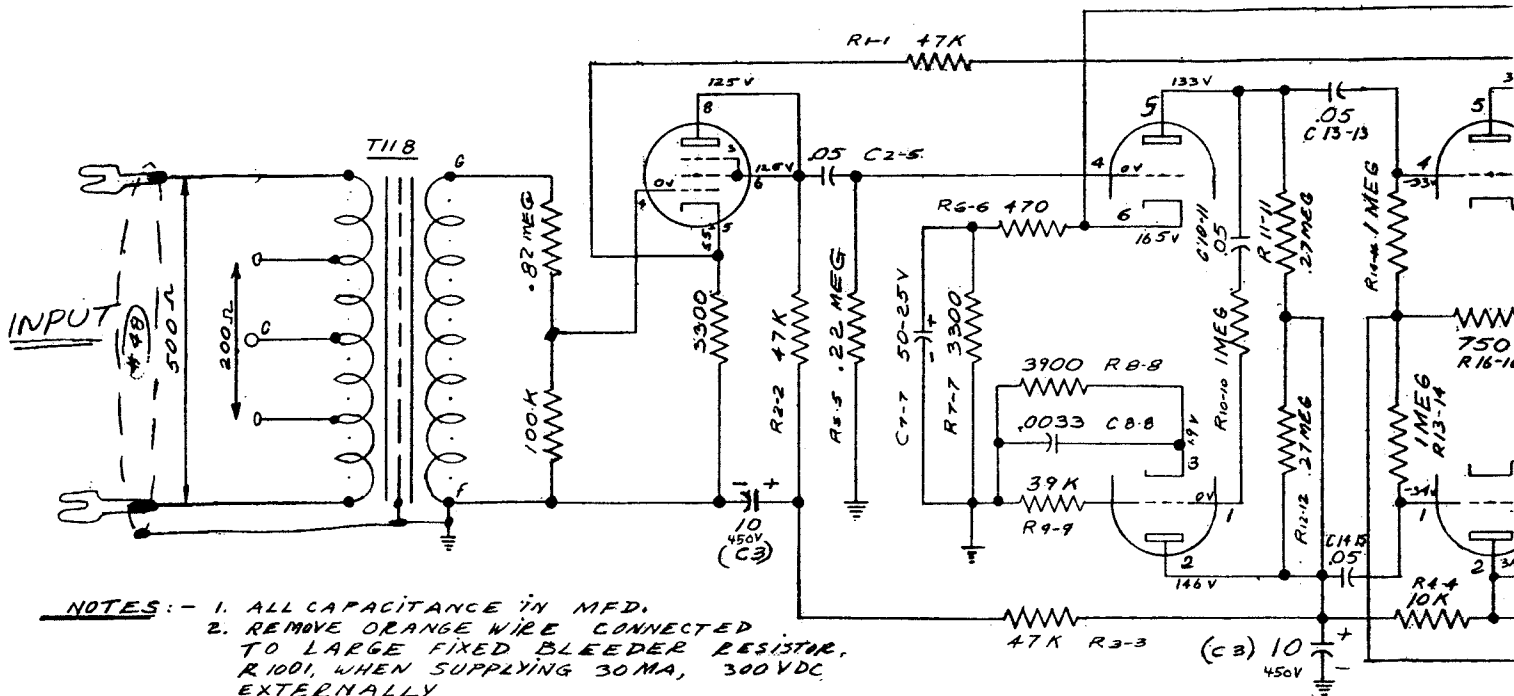
NATIONAL THEATRE SUPPLY  
32 GOLD ST  
NEW YORK 38 NEW YORK  
DR CHK APP'D

NS-167

6SU7

6SL7GT

6SN7



- NOTES:** - 1. ALL CAPACITANCE IN MFD.  
 2. REMOVE ORANGE WIRE CONNECTED TO LARGE FIXED BLEEDER RESISTOR, R1001, WHEN SUPPLYING 30MA, 300VDC EXTERNALLY.  
 3. VOLTAGES WERE D.C. READINGS ON A VACUUM TUBE VOLTMETER VALUES ARE WITH RESPECT TO GROUND. NO SIGNAL. LINE VOLTAGE 117V A.C.

