

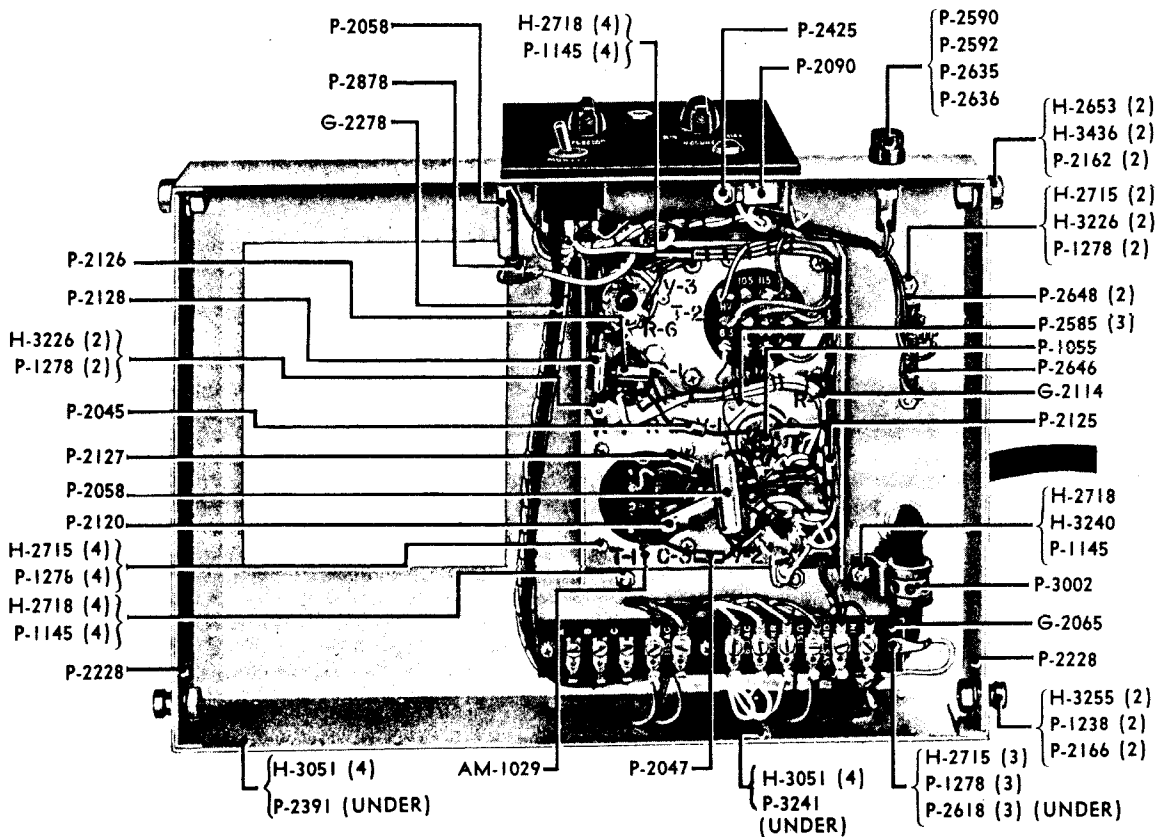
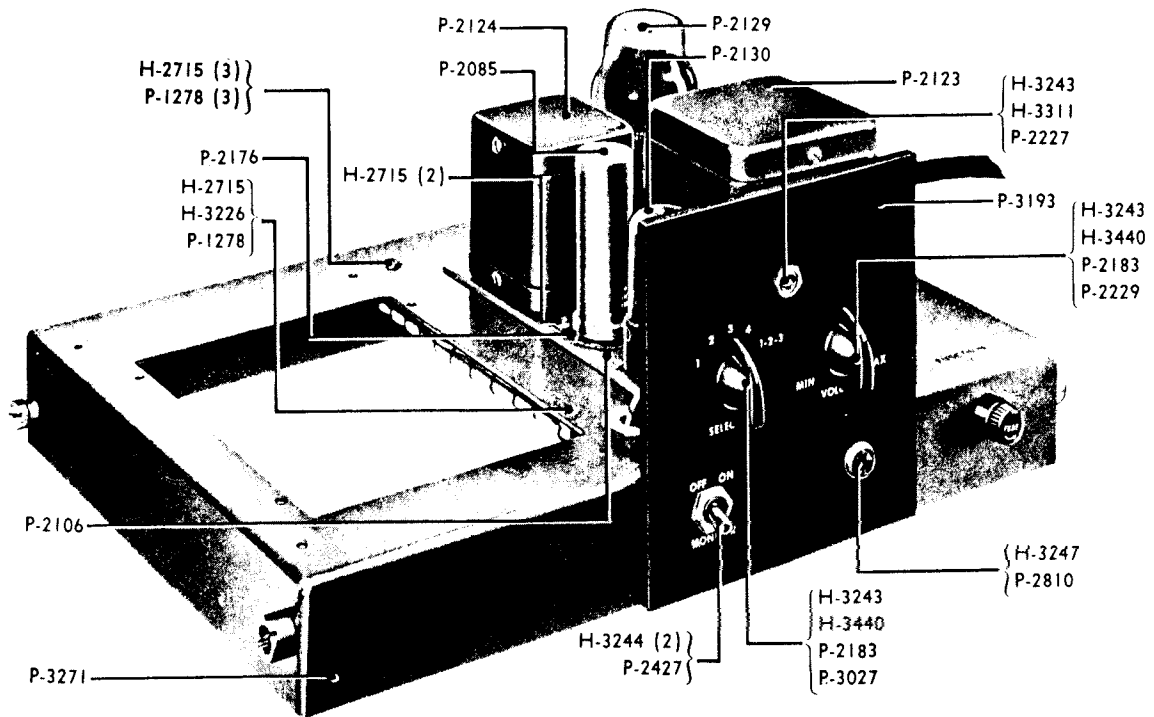
Film-Tech

The information contained in this Adobe Acrobat pdf file is provided at your own risk and good judgment.

These manuals are designed to facilitate the exchange of information related to cinema projection and film handling, with no warranties nor obligations from the authors, for qualified field service engineers.

If you are not a qualified technician, please make no adjustments to anything you may read about in these Adobe manual downloads.

www.film-tech.com



AM-1054 MONITOR AMPLIFIER AND CONTROL PANEL
(Includes AM-1029 Monitor Amplifier)

AM-1054 MONITOR AMPLIFIER AND CONTROL PANEL

(Includes AM-1029 Monitor Amplifier)

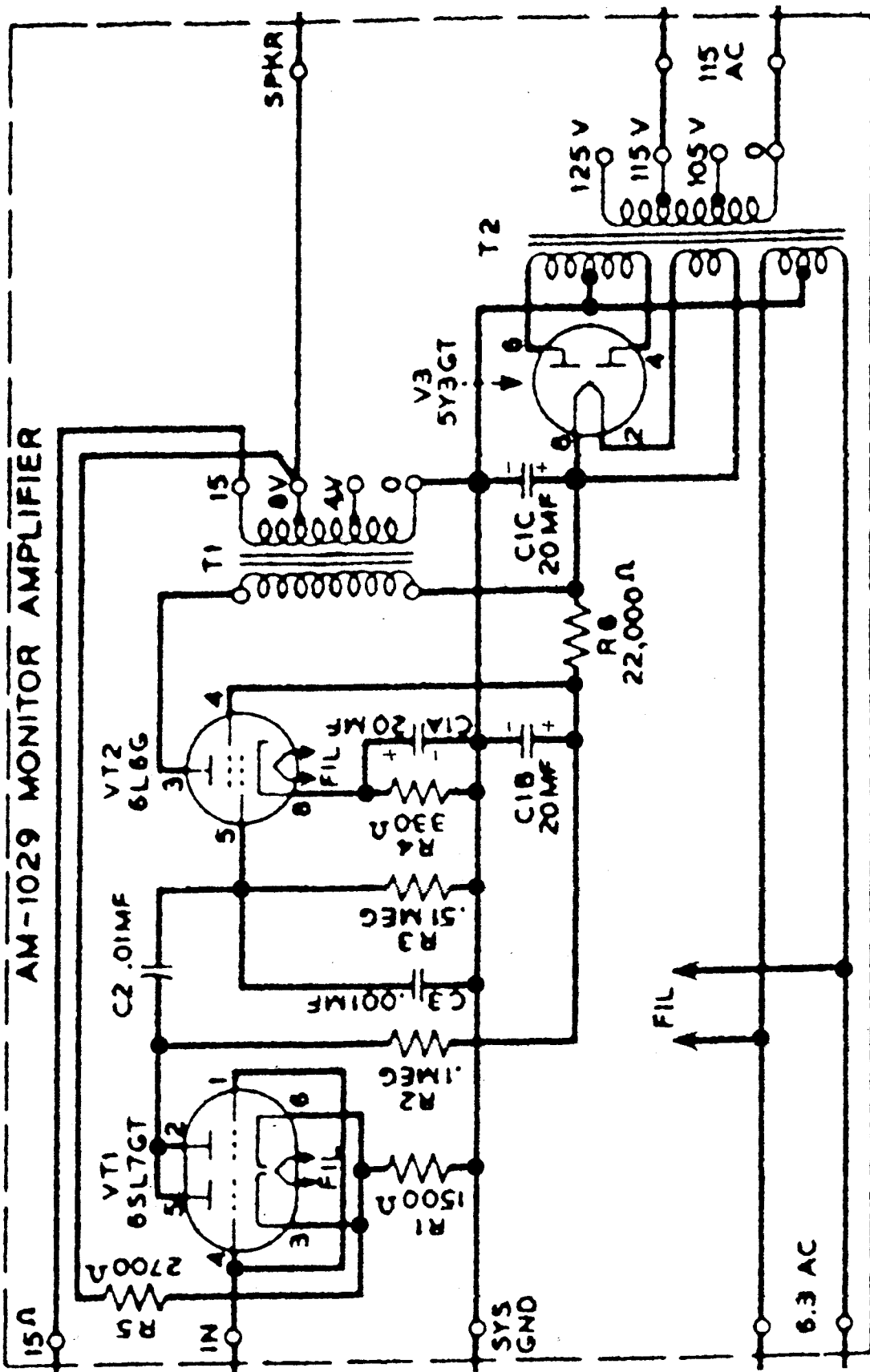
G-2065	Terminal Strip	P-1238	Chassis Stop Screw Lockwasher (2)
G-2278	Cable Form	P-1278	Terminal-Lug Terminal Strip-Resistor Mounting Bracket Lockwasher (9)
H-2653	Chassis Stop Stud Fastening Screw (2)	P-2058	Capacitor, 0.01 mf, 600 V
H-2715	Terminal-Lug Terminal Strip-Resistor Mounting Bracket Fastening Screw (9)	P-2090	Pilot Light Socket
H-2718	Monitor Amplifier-Cable Clamp Fastening Screw (5)	P-2162	Chassis Stop Stud (2)
H-3051	License-Nameplate Fastening Screw (8)	P-2166	Chassis Stop Screw (2)
H-3226	Lug Terminal Strip-Resistor Mounting Bracket Fastening Nut (3)	P-2183	Selector Switch-Volume Control Knob (2)
H-3240	Cable Clamp Fastening Nut	P-2227	Test Jack
H-3243	Selector Switch-Volume Control-Test Jack Fastening Nut (3)	P-2228	Chassis Reinforcement Plate (2)
H-3244	Monitor Switch Fastening Nut (2)	P-2229	Volume Control
H-3247	Pilot Light Lens Fastening Nut	P-2391	License Plate
H-3255	Chassis Stop Screw Fastening Nut (2)	P-2425	Pilot Light, 6-8 V # 44 OR 51
H-3311	Test Jack Washer	P-2427	Monitor Switch
H-3436	Chassis Stop Stud Lockwasher (2)	P-2590	Fuseholder
H-3440	Selector Switch-Volume Control Lockwasher (2)	P-2592	Fuse, 1 Amp., Cartridge Fusetron
P-1145	Monitor Amplifier-Cable Clamp Lockwasher (5)	P-2618	Terminal Strip Mounting Stud (3)
		P-2635	Fuseholder Rubber Washer
		P-2636	Fuseholder Fastening Nut
		P-2646	Resistor, 100 Ohms, 10 Watt <i>ADJUSTABLE</i>
		P-2648	Resistor Mounting Bracket (2)
		P-2810	Pilot Light Lens
		P-2878	Lug Terminal Strip
		P-3002	Cable Clamp
		P-3027	Selector Switch
		P-3193	Front Panel
		P-3241	Nameplate
		P-3271	Chassis

AM-1029 MONITOR AMPLIFIER

G-2114	Cable Form	P-2058	Capacitor, 0.01 mf, 600 V <i>C-2</i>
H-2715	Output Transformer-Capacitor Plate Fastening Screw (6)	P-2085	Capacitor, 20/25, 20/450, 20/450 <i>C1A,B,C</i> Electrolytic <i>MALLORY # FP345.8</i>
H-2718	Power Transformer Fastening Screw (4)	P-2106	Chassis
H-3226	Capacitor Plate Fastening Nut (2)	P-2120	Capacitor, 0.001 mf, 600 V <i>C-3</i>
P-1055	Vacuum Tube, 6SL7-GT <i>VT-1</i>	P-2123	Power Transformer <i>T-2</i>
P-1145	Power Transformer Lockwasher (4)	P-2124	Output Transformer <i>T-1</i>
P-1278	Output Transformer-Capacitor Plate Lockwasher (6)	P-2125	Resistor, 1,500 Ohms, 1 Watt <i>R-1</i>
P-2045	Resistor, 0.1 Meg., 1 Watt <i>R-2</i>	P-2126	Resistor, 22,000 Ohms, 1 Watt <i>R-6</i>
P-2047	Resistor, 0.51 Meg., 1 Watt <i>R-3</i>	P-2127	Resistor, 2,700 Ohms, 1 Watt <i>R-5</i>
		P-2128	Resistor, 330 Ohms, 2 Watt <i>R-4</i>
		P-2129	Vacuum Tube, 6L6-G <i>VT-2</i>
		P-2130	Vacuum Tube, 5Y3-GT <i>V-3</i>
		P-2176	Capacitor Mounting Plate
		P-2585	Vacuum Tube Socket, Octal (3)

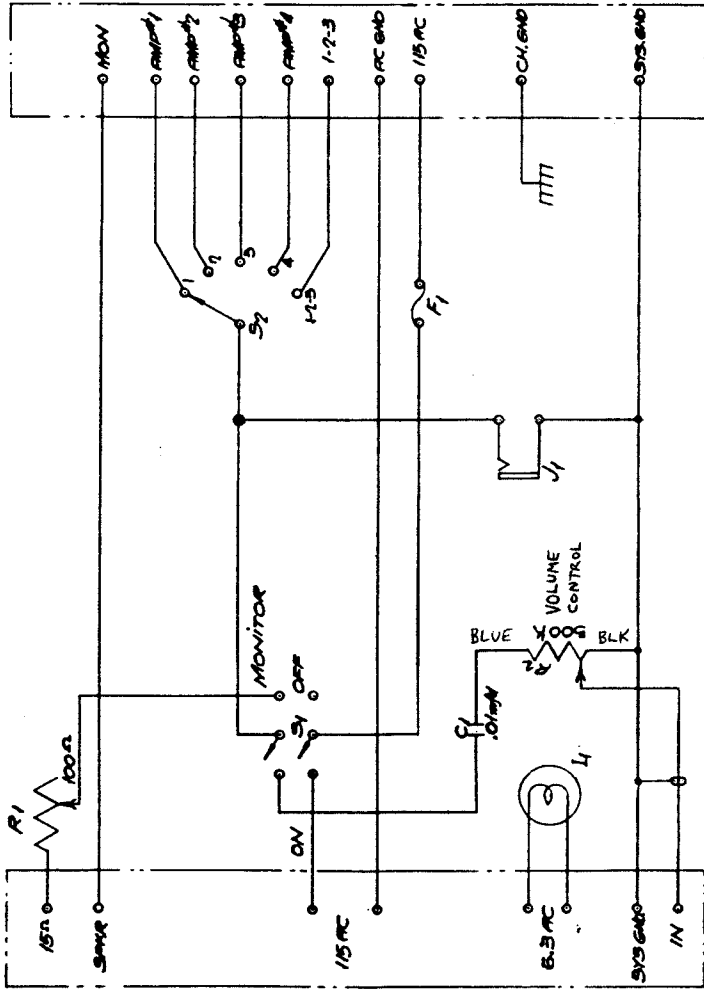
NOTE: Substitute a THORDARSON 24R40U for P-2123 Power Transformer.

AM-1029 MONITOR AMPLIFIER



TERMINAL BOARD UNDER CHASSIS

CABINET TERMINAL BOARD



AM-1029 MDX AMP CONN STRIP

REFERENCE DRAWINGS:-
AM-1054 MDX AMP CONTROL PANEL ASSY
W-1125 WIRING DIAGRAM

SYMBOL	AC PART NO	DESCRIPTION
R1	P-2646	RESISTOR, 100Ω, 10W, WIREWOUND
R2	P-2229	" " 500K, 2W, POTENTIOMETER
C1	P-2058	CAPACITORS, 0.01μF, 500V, TUBULAR, AMP
F1	P-2592	FUSISTRON, 1 AMP
J1	P-2425	DIAL LAMP, 6-8V
J2	P-2227	JACK-THO CONDUCTOR
S1	P-2477	TOGGLE SWITCH D.M.T.
S2	P-3294	ROTARY SWITCH, 5 POS, 1 CIRCUIT

SCALE

SCHENARTIC
CONTROL PANEL
AM-1054

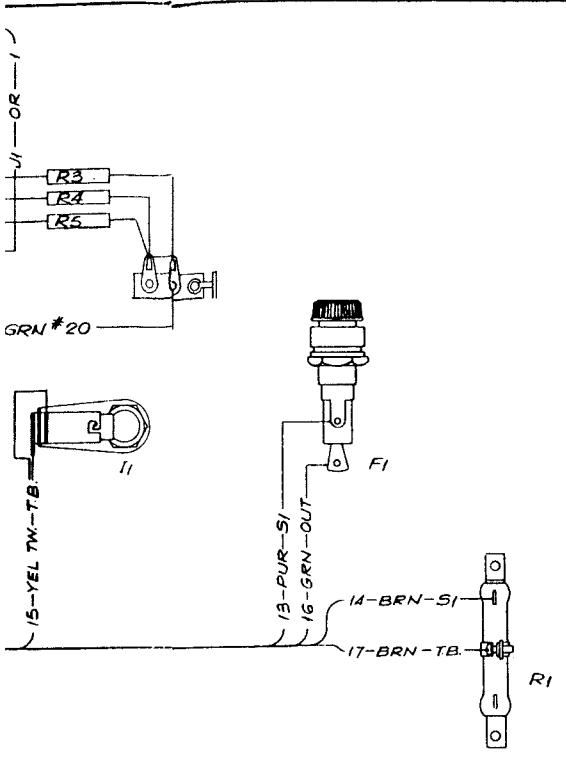
INTERNATIONAL PROJECTOR CORPORATION
110 PRINCE AVENUE
BRIDGE PLAZA

DATE: 5-9-58
BY: [Signature]
W-1126

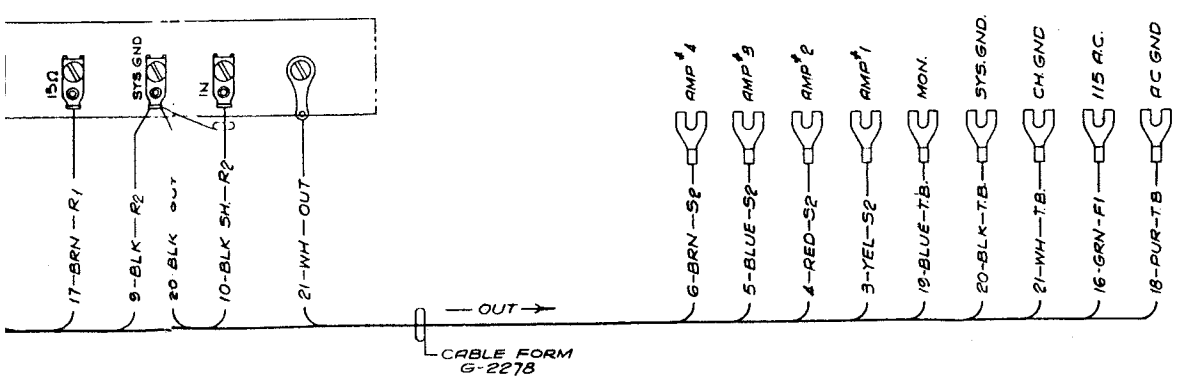
PRODUCT CLASS

F																			
---	--	--	--	--	--	--	--	--	--	--	--	--	--	--	--	--	--	--	--

DRAWN 5-12-53
 ISSUE: 1 5-14-63
 S2 WAS P-3234
 DCV [initials]
 ISSUE: 2-2-2-84
 ADDED R3, R4 & R5
 REMOVED WIRE 7 OUT CBL
 [initials]
 ISSUE: 3-6-10-55



SYMBOL	PART NO	DESCRIPTION
C1	P-2058	CAPACITOR, .01 mfd., 600V., TUBULAR, PAPER
FI	P-2592	FUSETRON, 1 AMP
I1	P-2090	HOLDER, INDICATOR LIGHT
J1	P-2227	JACK, TWO CONDUCTOR
R2	P-2229	RESISTOR, 500K, 2W., POTENTIOMETER
R1	P-2646	RESISTOR, 100Ω, 10W., WIREWOUND
S1	P-2427	TOGGLE SWITCH, D.P.D.T.
S2	P-3027	ROTARY SWITCH, 5 POSITION
R3	P-2125	RESISTOR, 1500Ω, 1W. CARBON
R4	P-2125	RESISTOR, 1500Ω, 1W. CARBON
R5	P-2125	RESISTOR, 1500Ω, 1W. CARBON



W-1126
 UNLATED ON CABLE FORM DRAWING.
 COMPONENTS MARKED 'TB.' INDICATE WIRES
 BOARD.
 LEADS WITH EW-961 PLASTIC TUBING

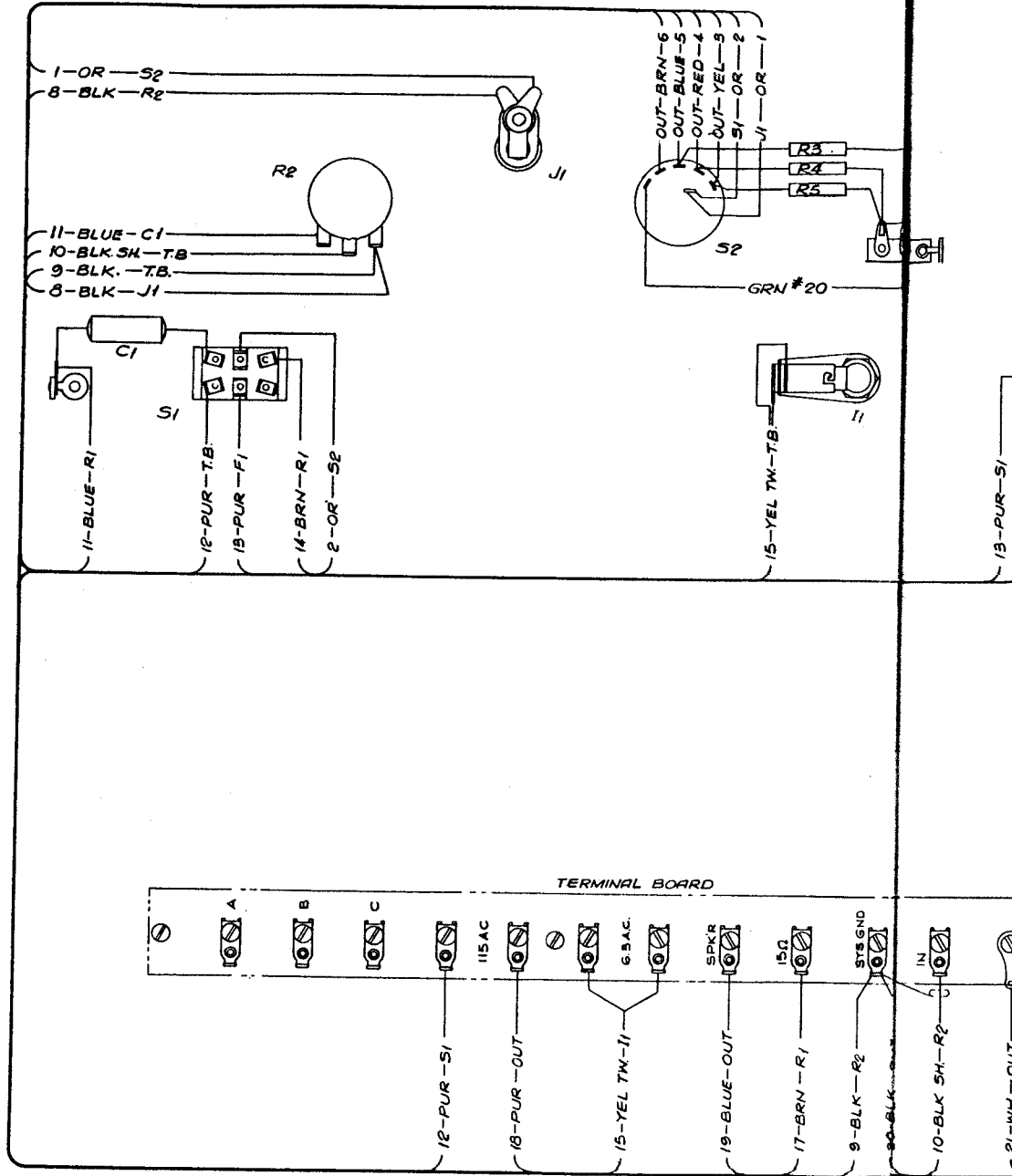
LATE VERSION

REFERENCE DRAWINGS
 W-1126 SCHEMATIC
 AM-1054 MONITOR AMPLIFIER AND CONTROL PANEL ASS'Y.

WIRING DIAGRAM
 MONITOR AMPLIFIER
 AM-1054
 INTERNATIONAL PROJECTOR
 CORPORATION
 88 LA FRANCE AVENUE
 BLOOMFIELD NEW JERSEY
 DR. AD CHX. [initials] APPD. [initials]

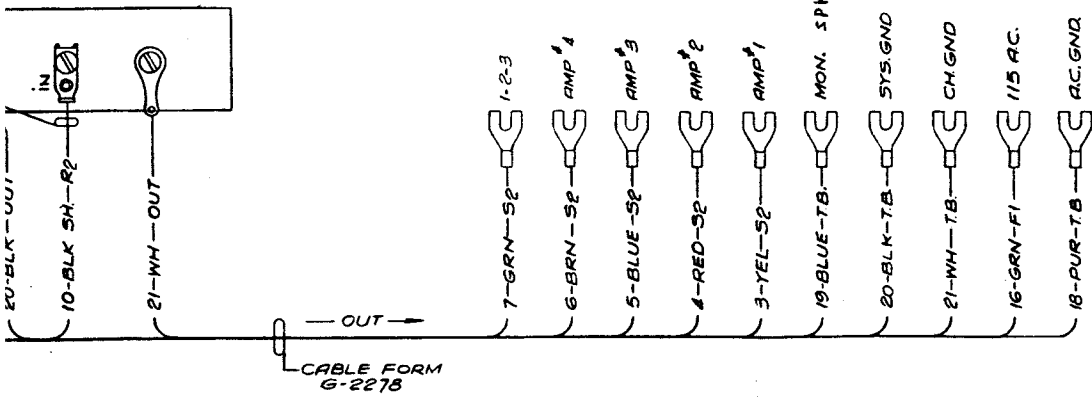
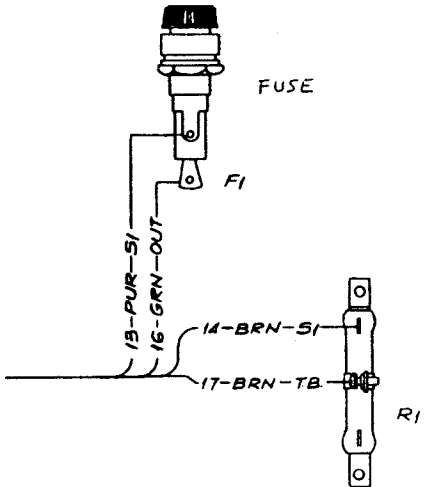
UNLESS OTHERWISE SPECIFIED REMOVE ALL DIMS. BREAK SHARP CORNERS TOLERANCES OF ALL PRAC. DIM. TO BE ± .01 TOLERANCES OF ALL MEAS. DIM. TO BE ± .005	PRODUCT CLASS	F	W-1125
---	---------------	---	--------

W-1125



ALL WIRES ARE TABULATED ON CABLE FORM DRUG
 DESIGNATIONS TO COMPONENTS MARKED 'TB.' IF
 GOING TO TERMINAL BOARD.
 COVER CAPACITOR LEADS WITH EW-361 PLASTIC

SYMBOL	PART NO	DESCRIPTION
C1	P-2058	CAPACITOR, 01 mfd., 600V., TUBULAR, PAPER
F1	P-2592	FUSETRON, 1 AMP
I1	P-2090	HOLDER, INDICATOR LIGHT
J1	P-2227	JACK, TWO CONDUCTOR 1/4"
R2	P-2229	RESISTOR, 500K., 2W., POTENTIOMETER
R1	P-2646	RESISTOR, 100Ω., 10W., WIREWOUND
S1	P-2487	TOGGLE SWITCH, D.P.D.T.
S2	P-3234	ROTARY SWITCH, 5 POSITION



WIRE FORM DRAWING
 MARKED "T.B." INDICATE WIRES
 W-961 PLASTIC TUBING

REFERENCE DRAWINGS
 W-1126 SCHEMATIC
 AM-1054 MONITOR AMPLIFIER AND CONTROL PANEL ASSY

EARLY VERSION

SCALE

WIRING DIAGRAM

AM-1054

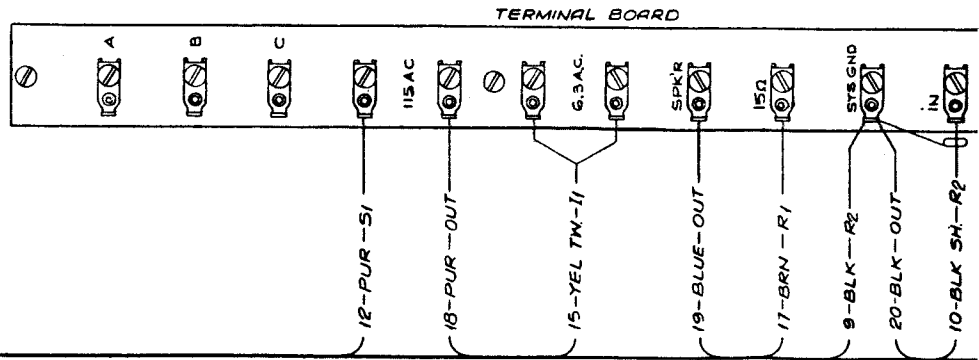
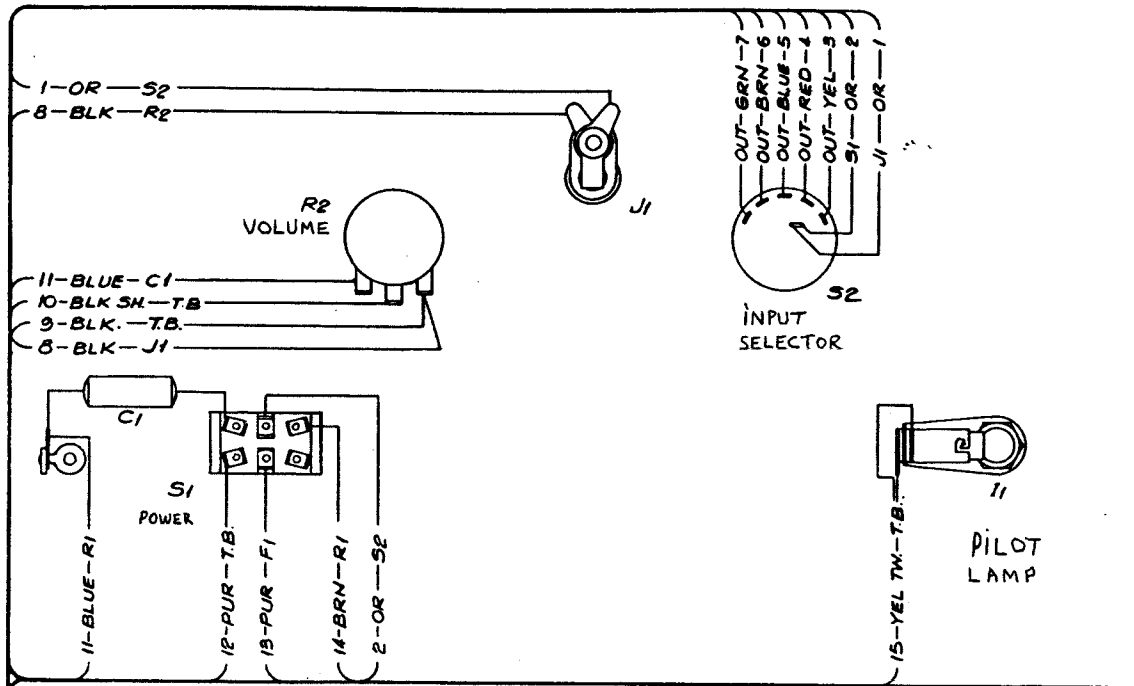
INTERNATIONAL PROJECTOR CORPORATION
 88 LA FRANCE AVENUE
 BLOOMFIELD, NEW JERSEY

DR. AD CHY. [Signature] APPR. [Signature]

W-1125

UNLESS OTHERWISE SPECIFIED
 OBSERVE ALL DIMENSIONS. GREAT CARE SHOULD BE TAKEN IN THE MAKING OF ALL PARTS. SEE TO BE IN TOLERANCES OF ALL DIMENSIONS. SEE TABLE 2 AND 3.

PRODUCT CLASS	F
---------------	---



ALL WIRES ARE TABULATED ON CABLE FOR DESIGNATIONS TO COMPONENTS MARKED GOING TO TERMINAL BOARD.
COVER CAPACITOR LEADS WITH EW-961 F