

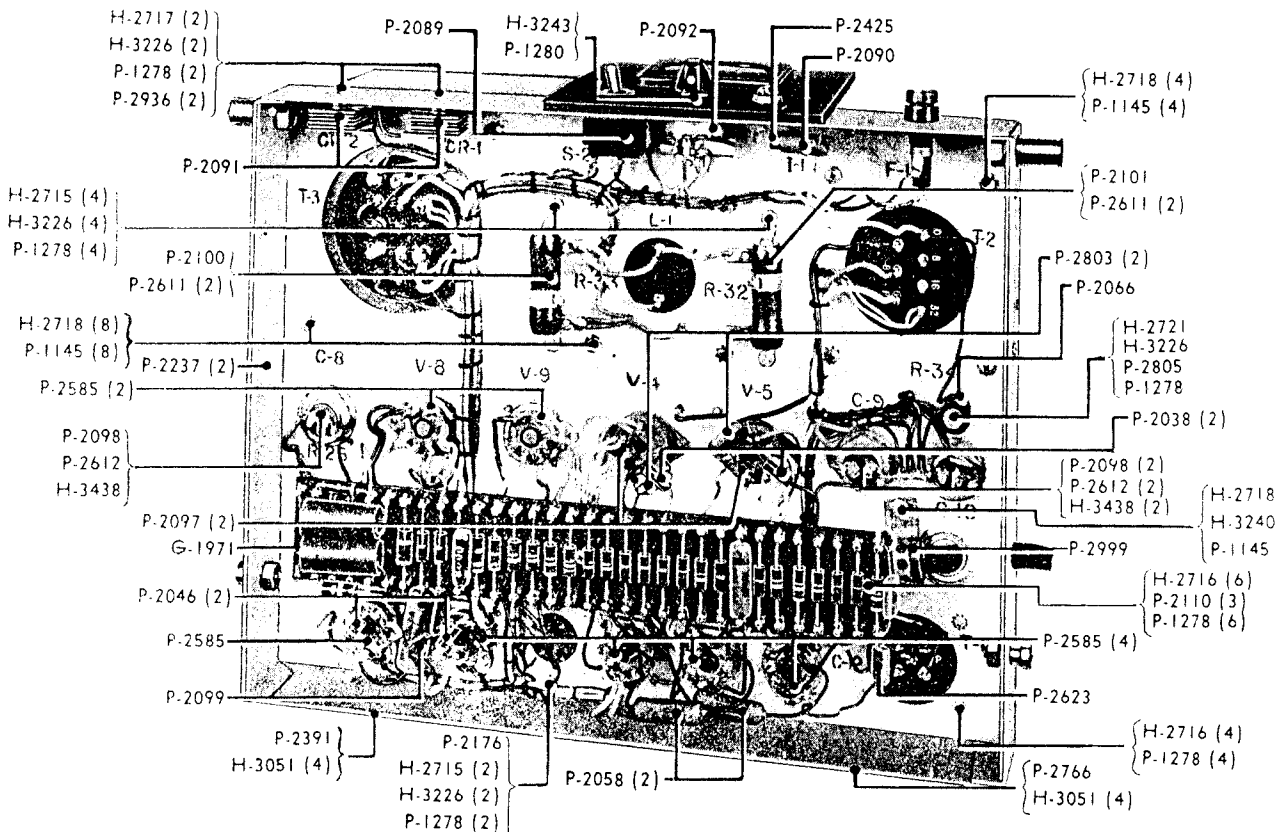
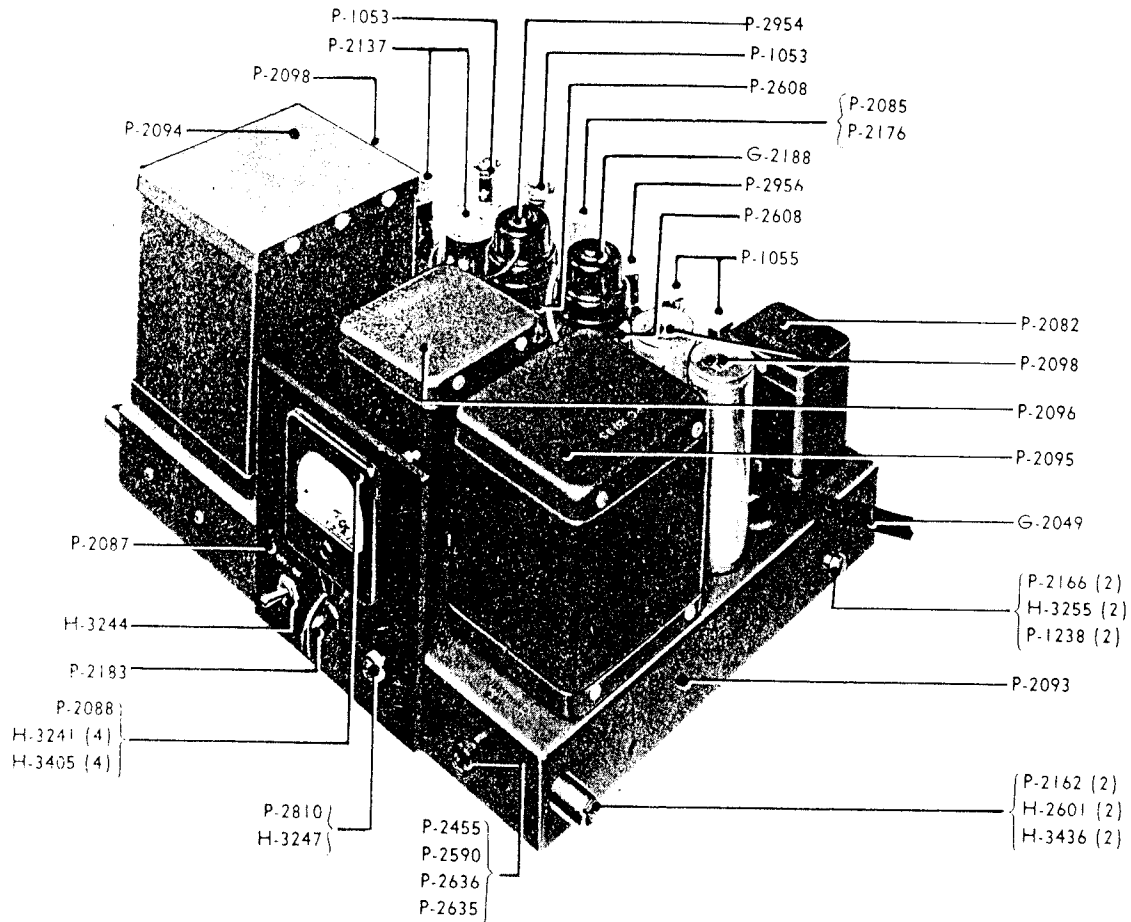
# Film-Tech

The information contained in this Adobe Acrobat pdf file is provided at your own risk and good judgment.

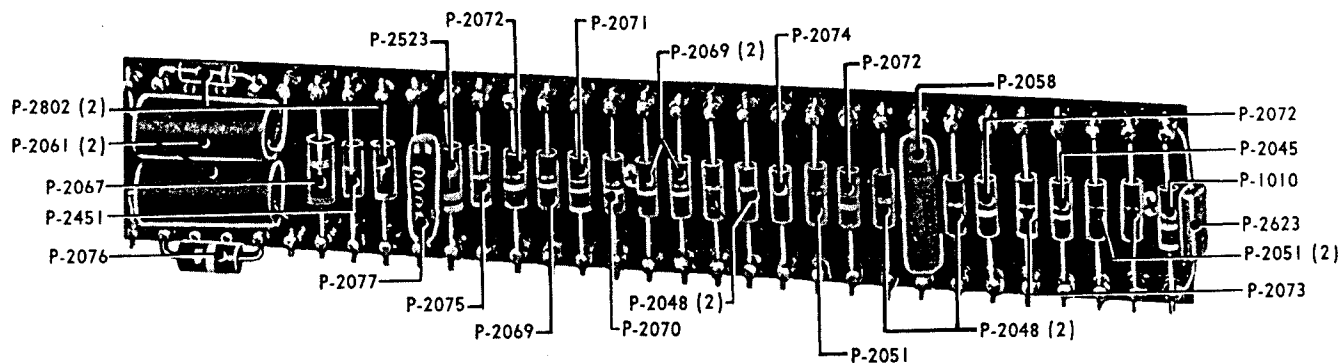
These manuals are designed to facilitate the exchange of information related to cinema projection and film handling, with no warranties nor obligations from the authors, for qualified field service engineers.

If you are not a qualified technician, please make no adjustments to anything you may read about in these Adobe manual downloads.

[www.film-tech.com](http://www.film-tech.com)



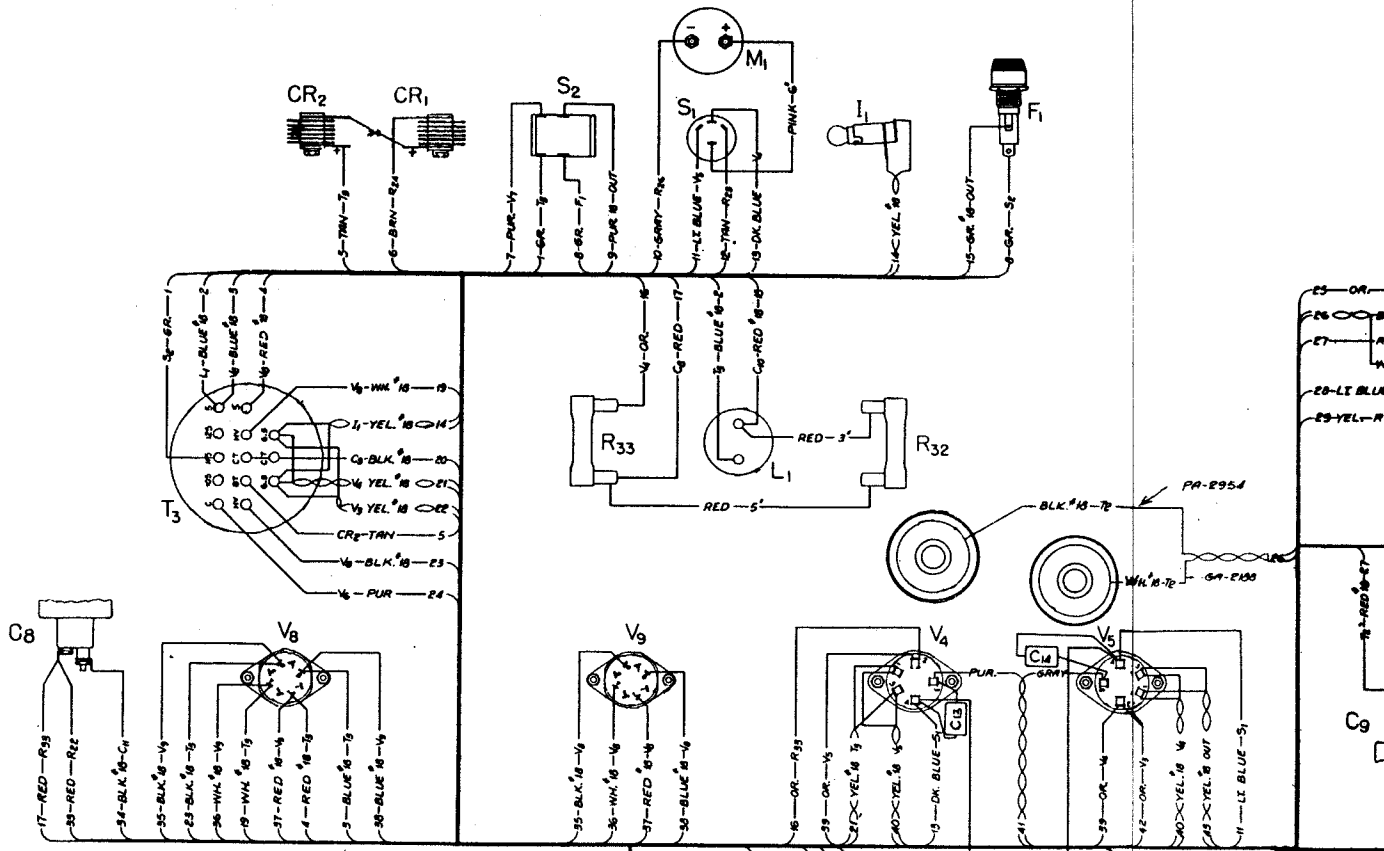
AM-1026 POWER AMPLIFIER



## AM-1026 POWER AMPLIFIER

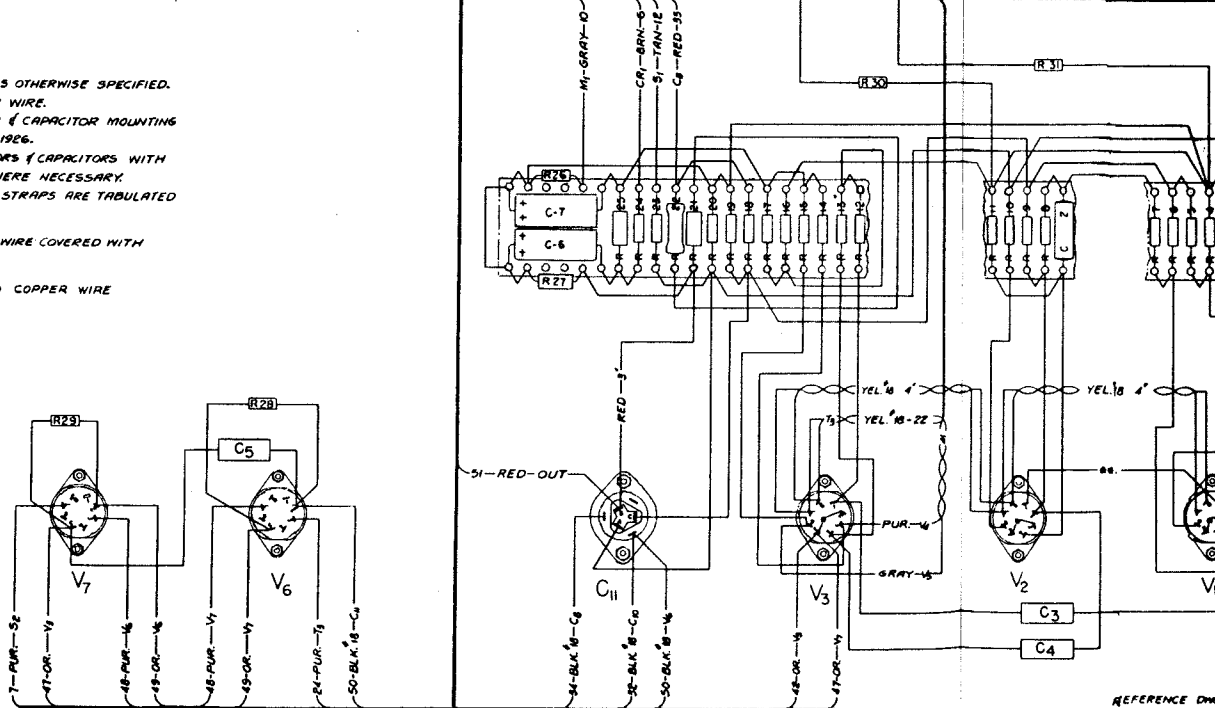
G-1971	Resistor Mounting Strip and Lugs	P-2072	Resistor, 0.22 Meg., 1 watt (3)
G-2049	Cable Form	P-2073	Resistor, 0.36 Meg., 1 watt
G-2188	Vacuum Tube Cap and Wire	P-2074	Resistor, 2 Meg., 1 watt
H-2601	Chassis Stop Stud Fastening Screw (2)	P-2075	Resistor, 470 ohms, 1 watt
H-2715	Capacitor-Resistor Mounting Fastening Screw (6)	P-2076	Resistor, 0.1 Meg., 2 watt
H-2716	Resistor Mounting-Transformer Fastening Screw (10)	P-2077	Resistor, 8,000 ohms, 5 watt
H-2717	Rectifier Fastening Screw (2)	P-2082	Input Transformer
H-2718	Transformer-Reactor Fastening Screw (13)	P-2085	Capacitor, 20/25, 20/450, 20/450 Electrolytic
H-2721	Resistor Mounting Screw	P-2087	Front Panel
H-3051	Nameplate-License Plate Fastening Screw (8)	P-2088	Vacuum Tube Testing Meter
H-3226	Capacitor-Resistor Mounting-Rectifier Fastening Nut (9)	P-2089	AC Power Switch, D.P.S.T. Toggle
H-3240	Cable Clamp Fastening Nut	P-2090	Pilot Light Socket
H-3241	Tube Testing Meter Fastening Nut (4)	P-2091	Selenium Rectifier (2)
H-3243	Tube Testing Switch Fastening Nut	P-2092	Vacuum Tube Testing Switch
H-3244	AC Power Switch Fastening Nut (2)	P-2093	Chassis
H-3247	Pilot Light Socket Fastening Nut	P-2094	Power Transformer
H-3255	Chassis Stop Screw Fastening Nut (2)	P-2095	Output Transformer
H-3405	Tube Testing Meter Lockwasher (4)	P-2096	Reactor
H-3436	Chassis Stop Stud Lockwasher (2)	P-2097	Vacuum Tube Socket, 5 Prong (2)
H-3438	Capacitor Lockwasher (3)	P-2098	Capacitor, 4 mf, 600V (3)
P-1010	Resistor, 36,000 ohms, 1 watt	P-2099	Capacitor, 0.1 mf, 400V
P-1053	Vacuum Tube, OD3/VR-150 (2)	P-2100	Resistor, 3,500 ohms, 25 watt
P-1055	Vacuum Tube, 6SL7-GT (2)	P-2101	Resistor, 1,500 ohms, 25 watt
P-1145	Transformer-Reactor Lockwasher (13)	P-2110	Resistor Strip Mounting Stud (3)
P-1238	Chassis Stop Screw Lockwasher (2)	P-2137	Vacuum Tube, 5 R4-GY (2)
P-1278	Capacitor-Resistor Mounting-Transformer Lockwasher (19)	P-2162	Chassis Stop Stud (2)
P-1280	Tube Testing Switch Lockwasher	P-2166	Chassis Stop Screw (2)
P-2038	Resistor, 5 ohms, 1 watt (2)	P-2176	Capacitor Mounting Plate
P-2045	Resistor, 0.1 Meg., 1 watt	P-2183	Tube Testing Switch Knob
P-2046	Resistor, 0.47 Meg., 1 watt (2)	P-2237	Chassis Reinforcement Plate (2)
P-2048	Resistor, 1 Meg., 1 watt (4)	P-2391	License Plate
P-2051	Resistor, 1,000 ohms, 1 watt (3)	P-2425	Pilot Light, 6-8V
P-2058	Capacitor, 0.01 mf, 600V (3)	P-2451	Resistor, 22 ohms, 1 watt
P-2061	Capacitor, 8 mf, 250V Electrolytic (2)	P-2455	Fuse, 2.5 Amp. Cartridge Fusetron
P-2066	Resistor, 0.2 ohms, 2 watt	P-2523	Resistor, 3,300 ohms, 2 watt
P-2067	Resistor, 7,500 ohms, 2 watt	P-2585	Vacuum Tube Socket, Octal (7)
P-2069	Resistor, 15,000 ohms, 1 watt (3)	P-2590	Fuse Holder
P-2070	Resistor, 68,000 ohms, 1 watt	P-2608	Vacuum Tube, #807 (2)
P-2071	Resistor, 91,000 ohms, 1 watt	P-2611	Resistor Mounting Bracket (4)
		P-2612	Capacitor Lock Nut (3)
		P-2623	Capacitor, 50 mmf, 500V (2)
		P-2635	Fuse Holder Rubber Washer
		P-2636	Fuse Holder Fastening Nut
		P-2766	Nameplate
		P-2802	Resistor, 300 ohms, 1 watt (2)
		P-2803	Capacitor, 200 mmf, 500V (2)
		P-2805	Resistor Insulating Bushing
		P-2810	Pilot Light Lens
		P-2936	Rectifier Insulating Washer (2)
		P-2954	Vacuum Tube Cap
		P-2956	Vacuum Tube, 6SN7-GTA
		P-2999	Cable Clamp





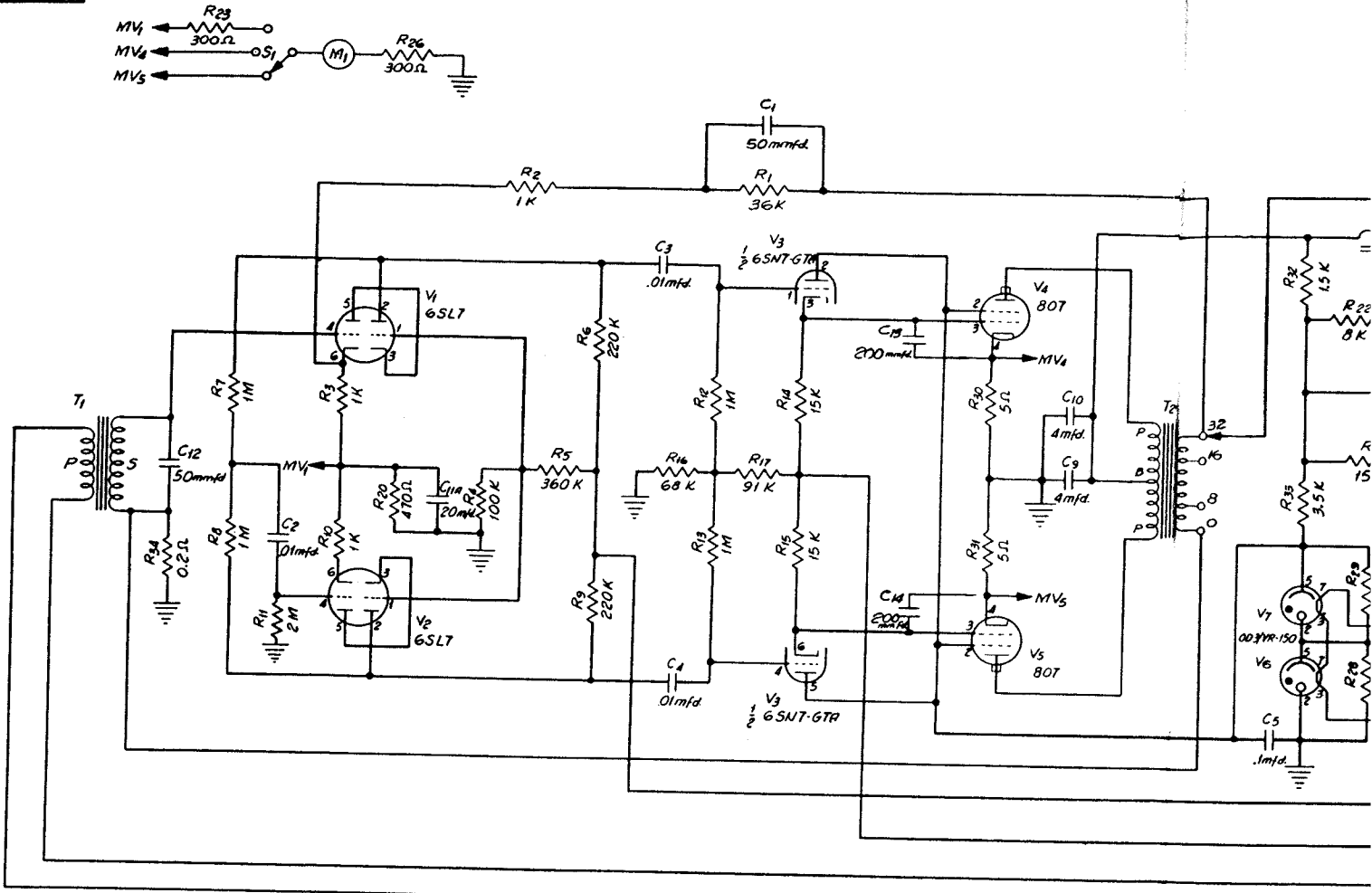
NOTE:

ALL WIRES ARE 20 AWG., UNLESS OTHERWISE SPECIFIED.  
 \*EN-692-SOLID, TINNED COPPER WIRE.  
 WIRES & SLEEVING ON RESISTOR & CAPACITOR MOUNTING STRIP ARE INCLUDED ON DWG. GC-1926.  
 COVER LEADS OF OTHER RESISTORS & CAPACITORS WITH EN-961 PLASTIC SLEEVING, WHERE NECESSARY.  
 JUMPERS & REQUIRED WIRE FOR STRAPS ARE TABULATED ON CABLE FORM DWG.  
 \*\*EN-692 SOLID TINNED COPPER WIRE COVERED WITH EN-961 PLASTIC SLEEVING.  
 \*\*\*EN-192-16AWG SOLID TINNED COPPER WIRE





WD-1085



SYMBOL	I.P.C. PT. N°	DESCRIPTION
R1	PA-1010	RESISTOR, 36K, 1W., CARBON
R2	-2051	" , 1K, 1W., "
R3	-2051	" , 1K, 1W., "
R4	-2045	" , 100K, 1W., "
R5	-2073	" , 360K, 1W., "
R6	-2072	" , 220K, 1W., "
R7	-2048	" , 1M, 1W., "
R8	-2048	" , 1M, 1W., "
R9	-2072	" , 220K, 1W., "
R10	-2051	" , 1K, 1W., "
R11	-2074	" , 2M, 1W., "
R12	-2048	" , 1M, 1W., "
R13	-2048	" , 1M, 1W., "
R14	-2069	" , 15K, 1W., "
R15	-2069	" , 15K, 1W., "
R16	-2070	" , 68K, 1W., "
R17	-2071	" , 91K, 1W., "
R18	-2069	" , 15K, 1W., "
R19	-2072	" , 220K, 1W., "
R20	-2075	" , 470Ω, 1W., "
R21	-2523	" , 3.3K, 2W., "
R22	-2077	" , 8K, 5W., WIREWOUND
R23	-2802	" , 300Ω, 1W., CARBON
R24	-2451	" , 22Ω, 1W., "

SYMBOL	I.P.C. PT. N°	DESCRIPTION
R25	PA-2067	RESISTOR, 7.5K, 2W., CARBON
R26	-2802	" , 300Ω, 1W., "
R27	-2076	" , 100K, 2W., "
R28	-2046	" , 470K, 1W., "
R29	-2046	" , 470K, 1W., "
R30	-2038	" , 5Ω, 1W., "
R31	-2038	" , 5Ω, 1W., "
R32	-2100	" , 1.5K, 25W., WIREWOUND
R33	-2100	" , 3.5K, 25W., "
R34	-2066	" , 0.2Ω, 2W., "
C1	-2623	CAPACITOR, 50mfd, 500V., MOLDED MICA
C2	-2058	" , .01mfd., 600V., TUBULAR, PAP.
C3	-2058	" , .01mfd., 600V., " "
C4	-2058	" , .01mfd., 600V., " "
C5	-2099	" , .1mfd., 400V., " "
C6	-2061	" , 8mfd., 250V., TUBULAR, ELEC.
C7	-2061	" , 8mfd., 250V., " "
C8	-2098	" , 4mfd., 600V., PAPER, CAN
C9	-2098	" , 4mfd., 600V., " "
C10	-2098	" , 4mfd., 600V., " "
C11A		CAPACITOR, 20mfd., 25V.
C11B	-2085	ELECTROLYTIC, 20mfd., 450V.
C11C		ELECTROLYTIC, 20mfd., 450V.
C12	-2623	CAPACITOR, 50mfd., 500V., MOLDED MICA
C13	-2803	" , 200mfd., 500V., " "
C14	-2803	" , 200mfd., 500V., " "

SYMBOL	I.P.C. PT.
T1	PB-201
T2	PC-209
T3	PC-205
L1	PB-205
F1	PA-245
I1	PA-242
S1	-205
S2	-208
CR1	-205
CR2	-209
M1	-208
V1	-105
V2	-105
V3	-295
V4	-260
V5	-260
V6	-105
V7	-105
V8	-213
V9	-213

LEGEND = K = x 1,000 Ω  
M = x 1,000,000 Ω

SPRAGUE  
TU-3734

UNLESS OTHERWISE SPECIFIED  
USE ALL DIMENSIONS SHOWN GROUP DIMENSIONS  
UNLESS OTHERWISE SPECIFIED  
UNLESS OTHERWISE SPECIFIED