

Film-Tech

The information contained in this Adobe Acrobat pdf file is provided at your own risk and good judgment.

These manuals are designed to facilitate the exchange of information related to cinema projection and film handling, with no warranties nor obligations from the authors, for qualified field service engineers.

If you are not a qualified technician, please make no adjustments to anything you may read about in these Adobe manual downloads.

www.film-tech.com

PARTS LIST

FOR

Simplex
REG. U.S. PAT. OFF.

FOUR
★★★★
STAR

Sound



**INTERNATIONAL PROJECTOR
CORPORATION**

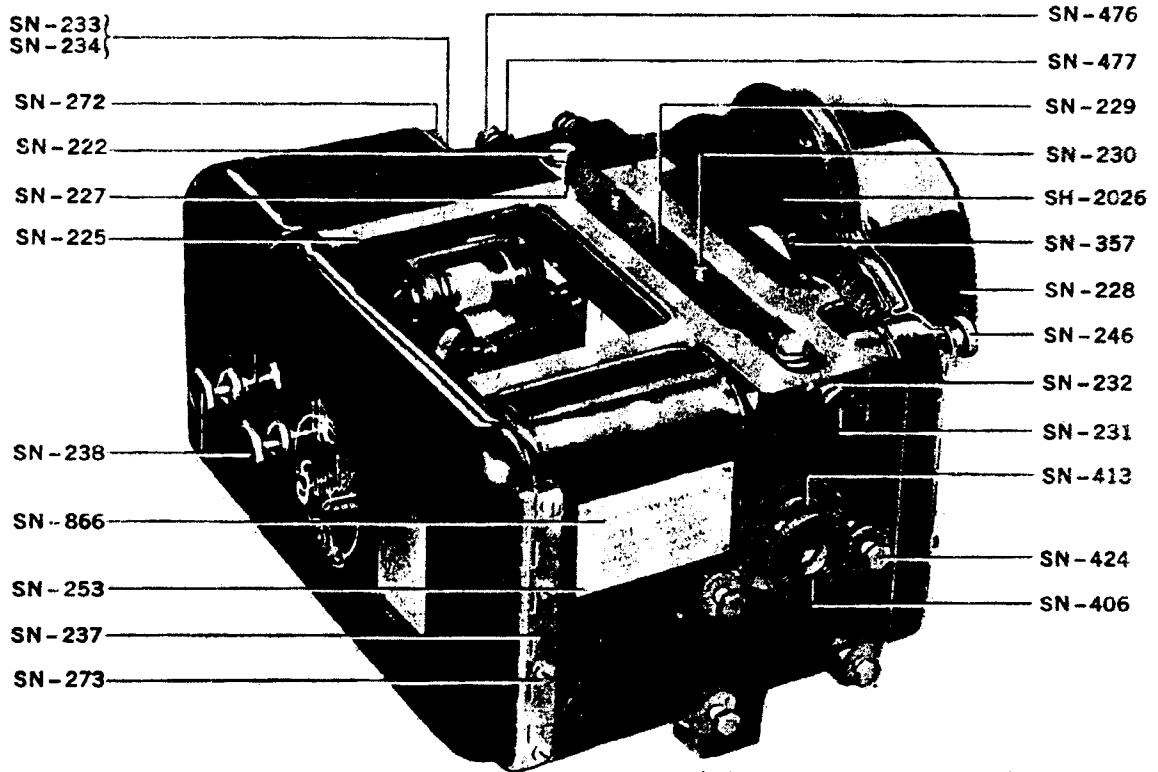
55 LA FRANCE AVE. - - - - BLOOMFIELD, N. J.

Printed in U.S.A.—Copyrighted by International Projector Corporation 1949.

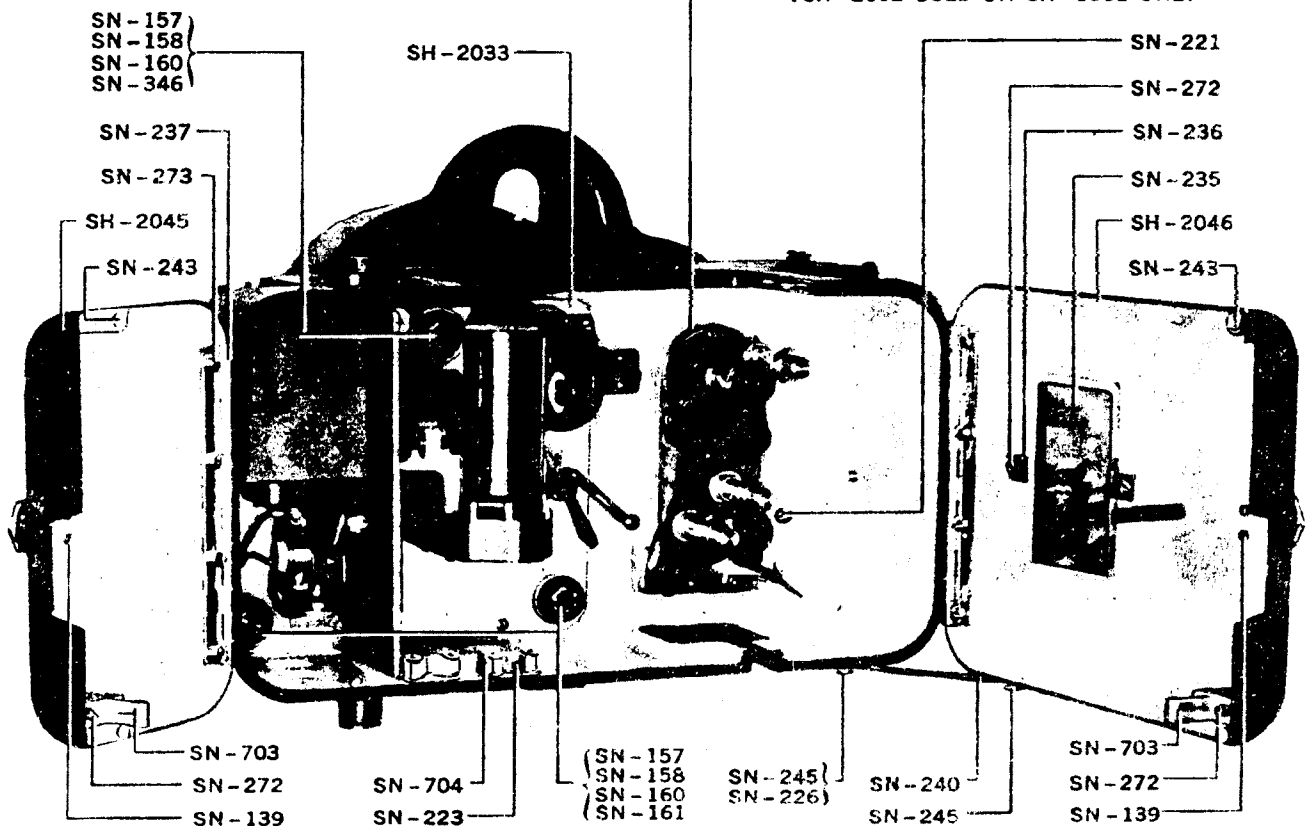


TRADEMARK REG. U. S. PAT. OFF.





{ SH-2000 USED ON SH-1000 ONLY
{ SH-2002 USED ON SH-1001 ONLY

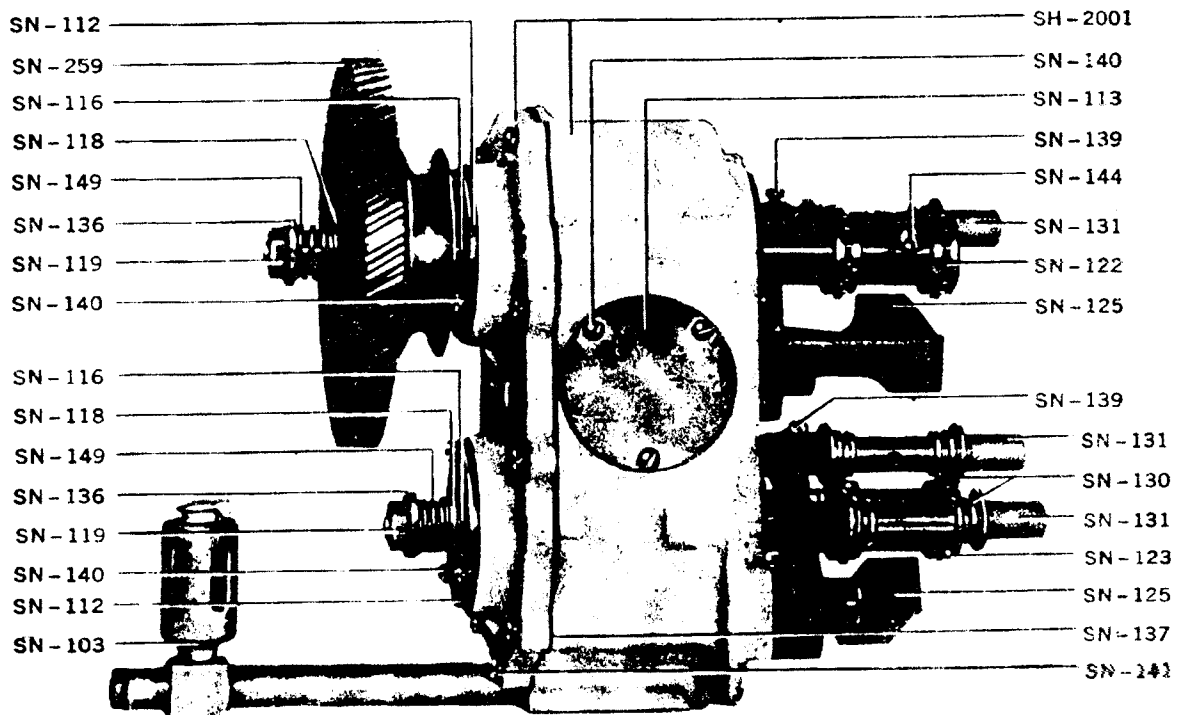
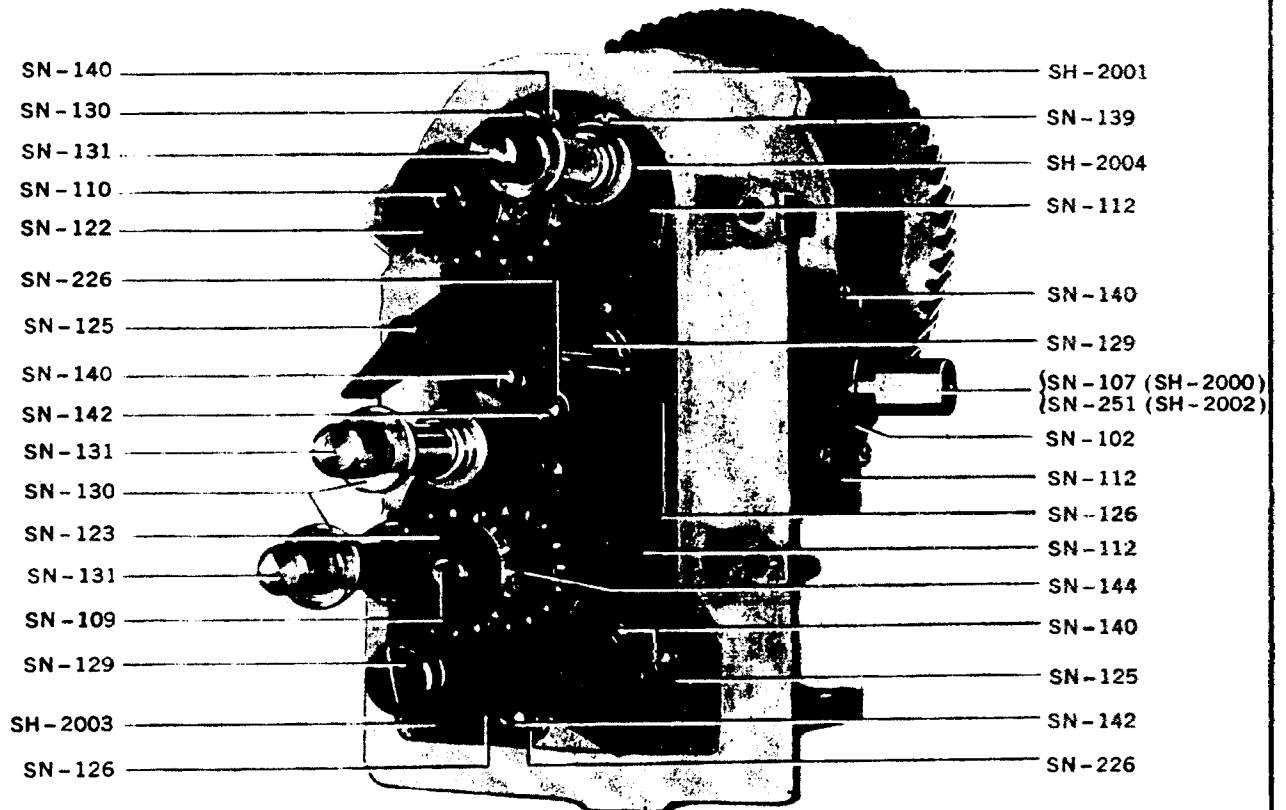


SH-1000 SOUND MECHANISM (60 CYCLE & D.C.)
SH-1001 SOUND MECHANISM (50 CYCLE)

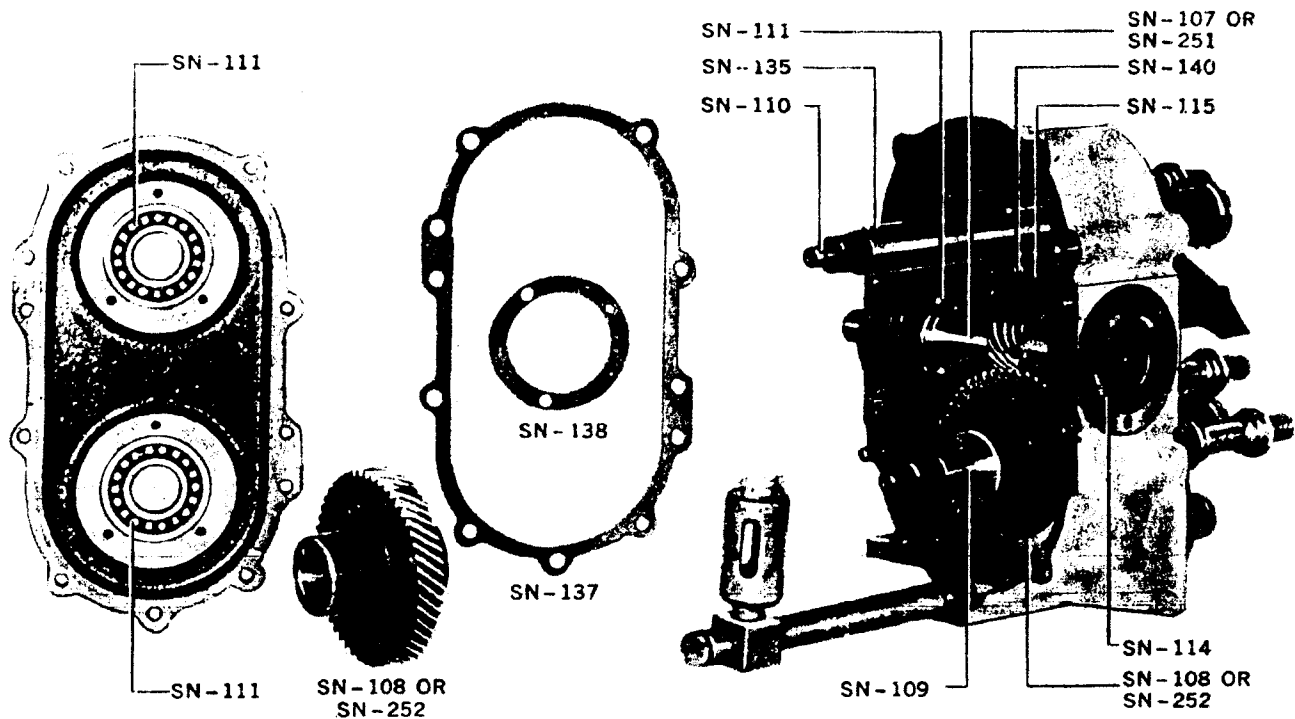
SH-1000 SOUND MECHANISM ASSEMBLY

SH-1001 SOUND MECHANISM ASSEMBLY

SH-2000	Gear Box Assembly (SH-1000)
SH-2002	Gear Box Assembly (SH-1001)
SH-2033	Sound Bracket Assembly
SH-2045	Door (Exciter Lamp)
SH-2046	Door (Film Compartment)
SH-2026	Stabilizer
SN-139	Screw (4)
SN-157	Washer (6)
SN-158	Bushing (Paraprene) (6)
SN-160	Spacer (3)
SN-161	Screw (2)
SN-221	Screw (4)
SN-222	Screw (2)
SN-223	Screw (4)
SN-225	Main Frame
SN-226	Washer
SN-227	Washer (2)
SN-228	Guard
SN-229	Bar (Mechanism Fastening)
SN-230	Screw (2)
SN-231	Screw
SN-232	Nut
SN-233	Screen
SN-234	Frame (Screen)
SN-235	Glass $3 \frac{11}{16}$ " H x $2 \frac{11}{16}$ " W x $\frac{3}{16}$ " THICK
SN-236	Clip (2)
SN-237	Hinge (2)
SN-238	Knob (2)
SN-240	Stop (Door)
SN-243	Cushion (Felt) (4)
SN-245	Screw (2)
SN-246	Screw (3)
SN-253	Screw (8)
SN-272	Screw (6)
SN-273	Screw (20)
SN-346	Screw
SN-357	Screw
SN-406	Coupling
SN-413	Set Screw
SN-424	Screw (4)
SN-476	Screw (4) (See Sound Mechanism Accessories)
SN-477	Washer (4) (See Sound Mechanism Accessories)
SN-703	Strike (Door) (2)
SN-704	Catch (Door) (2)
SN-866	Name Plate



SH-2000 & SH-2002 GEAR BOX

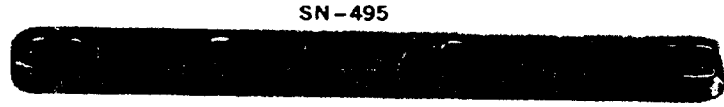
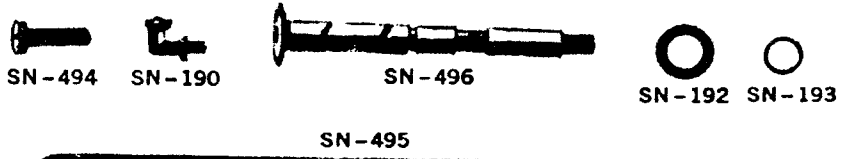


SH-2000 GEAR BOX ASSEMBLY (USED IN SH-1000 ONLY)

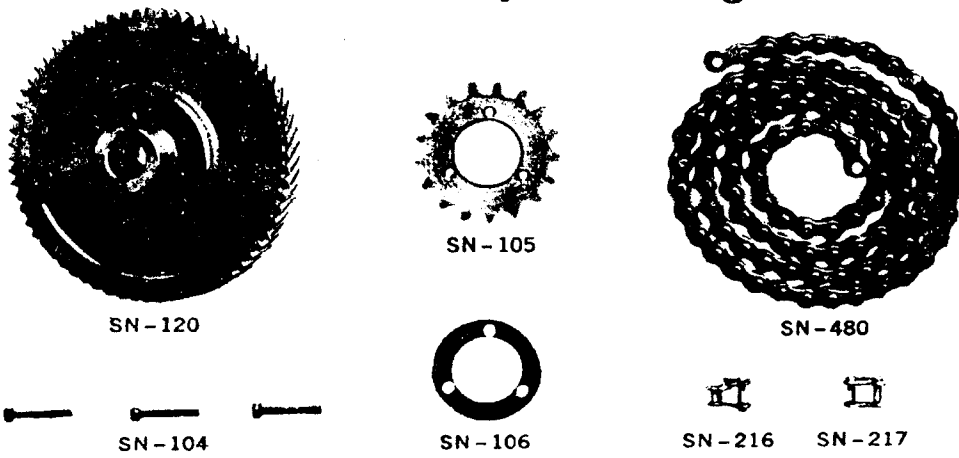
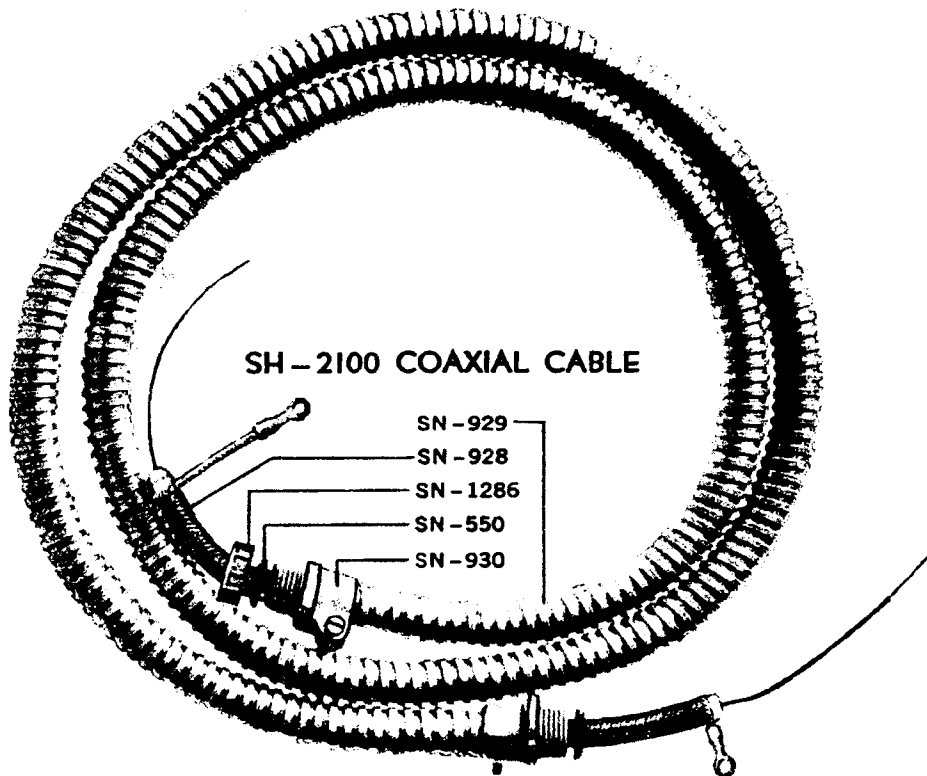
SH-2002 GEAR BOX ASSEMBLY (USED IN SH-1001 ONLY)

SH-2001	Housing (Box and Cover)	SN-125	Stripper Plate (2)
SH-2003	Roller Arm (Holdback)	SN-126	Plate (2)
SH-2004	Roller Arm (Sound)	SN-129	Stud (Roller Arm) (2)
SN-102	Spacer	SN-130	Pad Roller (3)
SN-103	Oil Gauge	SN-131	Stud (Pad Roller) (3)
SN-107	Pinion (Used in SH-2000 Only)	SN-135	Key (3)
SN-108	Gear (Used in SH-2000 Only) (2)	SN-136	Washer (2)
SN-109	Shaft (Hold Back Sprocket)	SN-137	Gasket (Cover)
SN-110	Shaft (Sound Sprocket)	SN-138	Gasket (Retainer) (6)
SN-111	Ball Bearing (6)	SN-139	Screw (3)
SN-112	Retainer Plate (Outer) (5)	SN-140	Screw (28)
SN-113	Retainer Plate (Outer)	SN-141	Screw (9)
SN-114	Spring	SN-142	Screw (2)
SN-115	Retainer Plate (Inner) (2)	SN-144	Screw (2)
SN-116	Spacer (2)	SN-149	Spring (2)
SN-118	Washer (2)	SN-226	Washer (2)
SN-119	Nut (2)	SN-251	Pinion (Used on SH-2002 Only)
SN-122	Sprocket (Sound) P-3322	SN-252	Gear (Used on SH-2002 Only) (2)
SN-123	Sprocket (Holdback) P-3321	SN-259	Gear (Projector Drive)

} LAVEZZI
} 416GL37B



SH-2009 ADAPTER KIT



SH-2101 CHAIN TAKE-UP

SH-2009 ADAPTER KIT

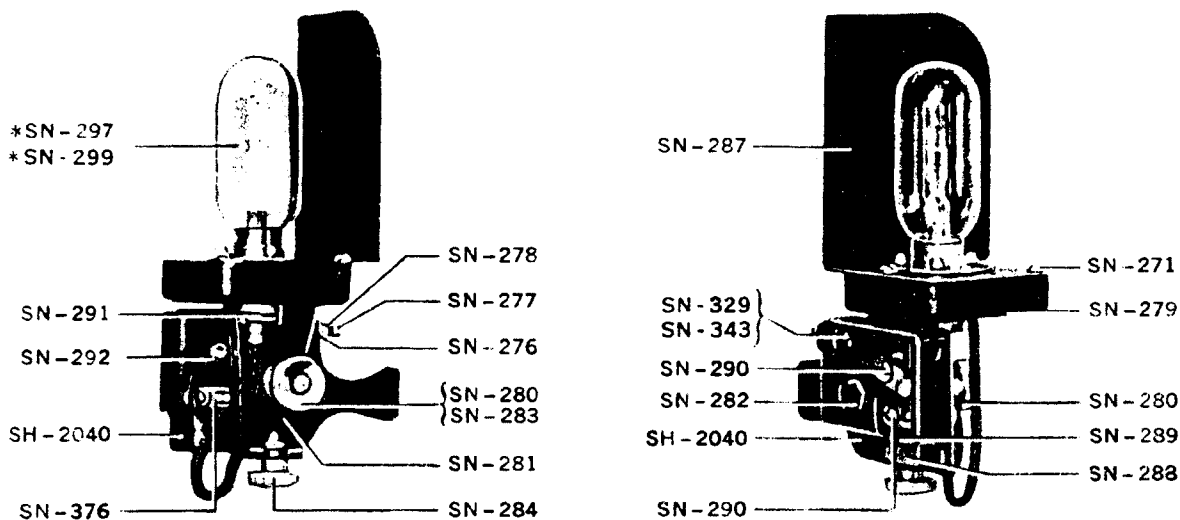
SN-190	Oil Cup
SN-192	Washer (Bronze)
SN-193	Washer (Spring Steel)
SN-494	Screw
SN-495	Bar (Mechanism Fastening)
SN-496	Stud, Drive Gear

SH-2100 COAXIAL CABLE

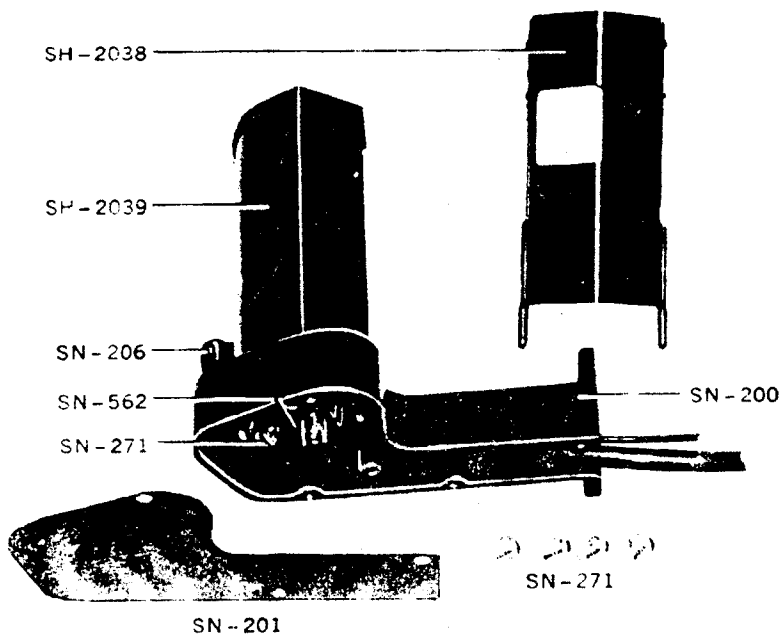
SN-550	Rubber Ring (2)
SN-928	Coaxial Cable
SN-929	Tubing, Flexible Steel
SN-930	Connector (2)
SN-1286	Bushing

SH-2101 CHAIN TAKE-UP

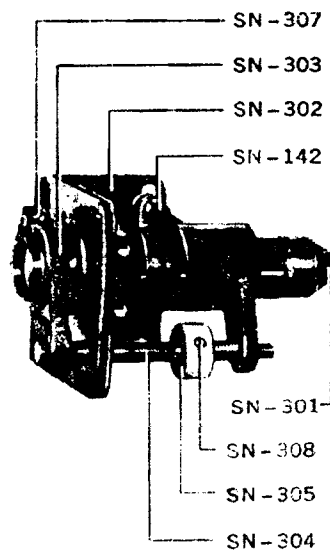
SN-104	Screw (3)
SN-105	Sprocket
SN-106	Spacer
SN-120	Drive Gear
SN-216	Link, Offset
SN-217	Link, Spring Clip
SN-480	Chain



SH-2028 EXCITER LAMP BRACKET



SH-2029 PHOTO-ELECTRIC CELL BRACKET



SH-2030 LENS ASSEMBLY



SN-317



SN-315



SN-318



SN-319



SN-316

SH-2031 REFLECTOR LENS

*INDICATES NON-COMPONENT ITEM
MUST BE ORDERED SEPARATELY

SH-2028 EXCITER LAMP BRACKET

SH-2040	Bracket
SN-271	Screw (3)
SN-276	Bushing
SN-277	Screw
SN-278	Nut
SN-279	Bracket
SN-280	Nut
SN-281	Block
SN-282	Screw
SN-283	Spring
SN-284	Screw
SN-287	Shield
SN-288	Plate (Spring)
SN-289	Plate
SN-290	Screw (3)
SN-291	Socket
SN-292	Nut (2)
*SN-297	Exciter Lamp (4 Amp., 9 Volts)
*SN-299	Exciter Lamp (7.5 Amp., 10 Volts)
SN-376	Plate
SN-329	Spring
SN-343	Contact

SH-2029 PHOTO-ELECTRIC CELL BRACKET

SH-2038	Shield (Rear)
SH-2039	Shield (Front)
SN-200	Bracket
SN-201	Cover Plate
SN-206	Pin
SN-271	Screw (6)
SN-562	Socket

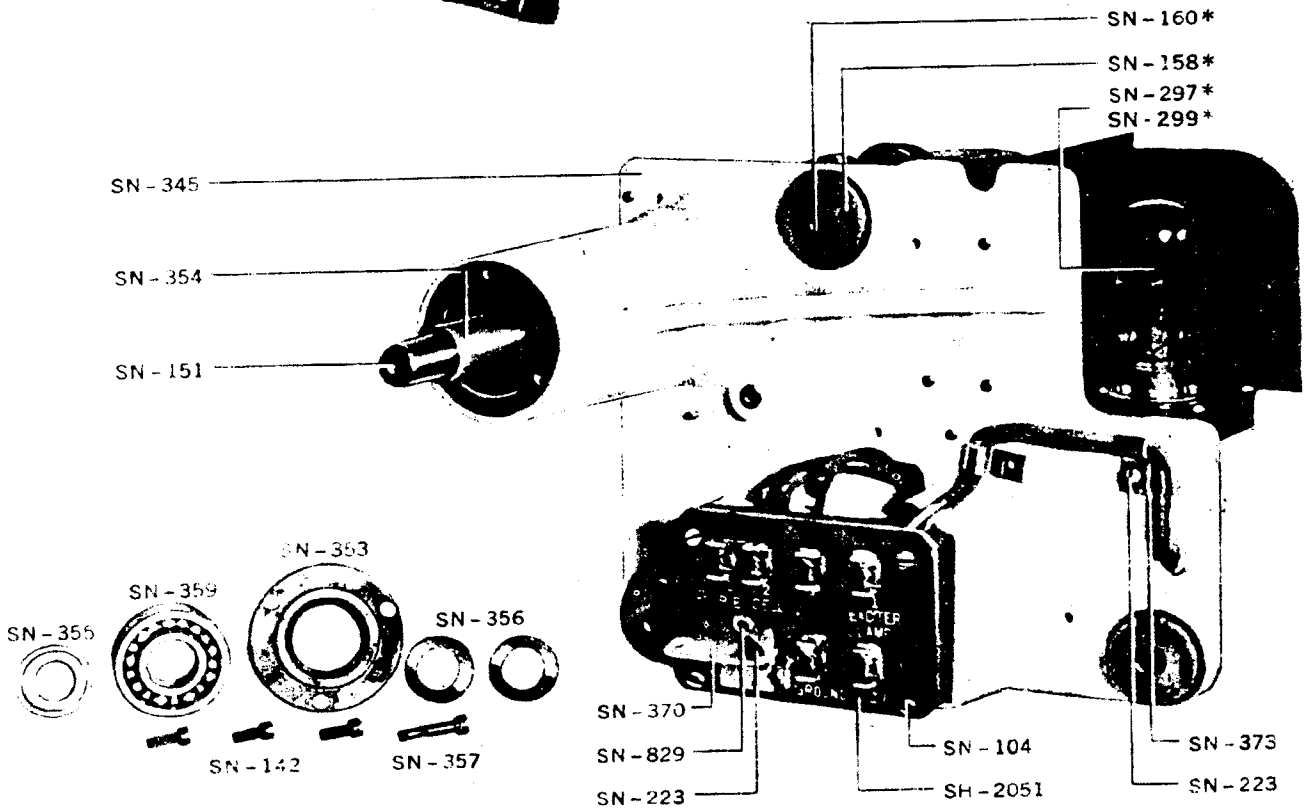
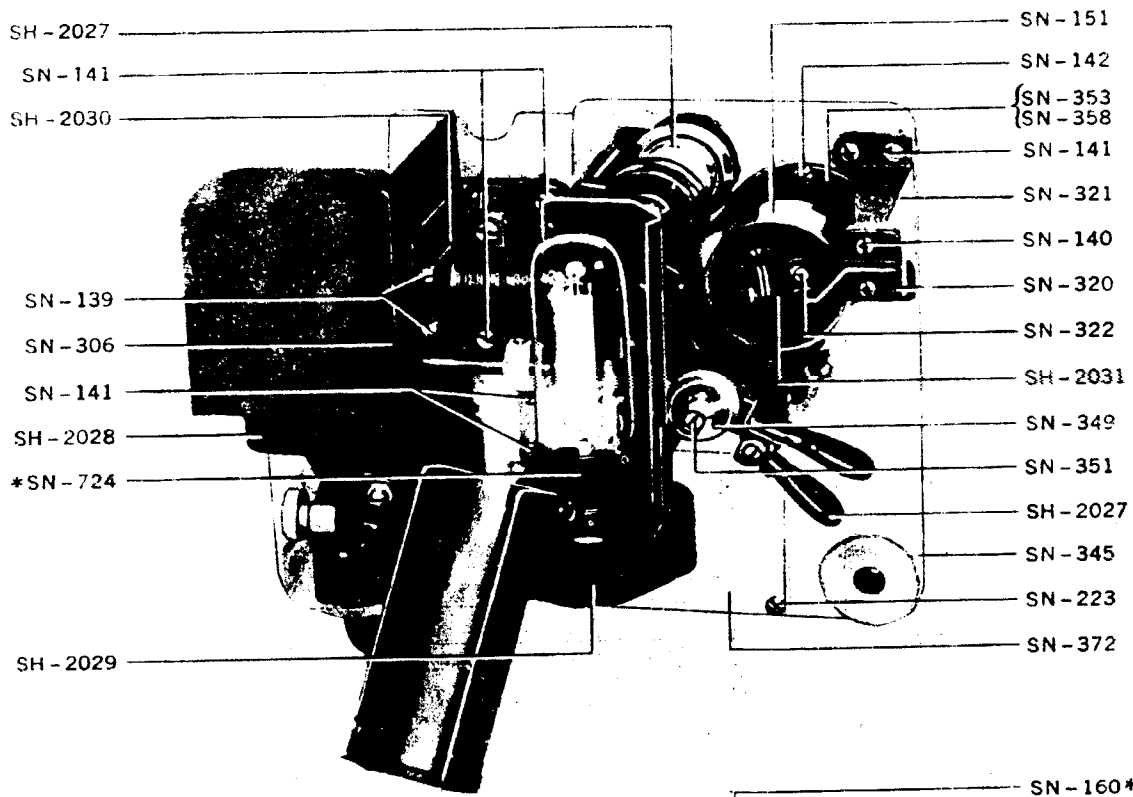
SH-2030 LENS ASSEMBLY

SN-142	Screw
SN-301	Lens Tube
SN-302	Bracket
SN-303	Clamp (Adjusting)
SN-304	Screw
SN-305	Thumb Nut
SN-307	Screw
SN-308	Screw

SH-2031 REFLECTOR LENS

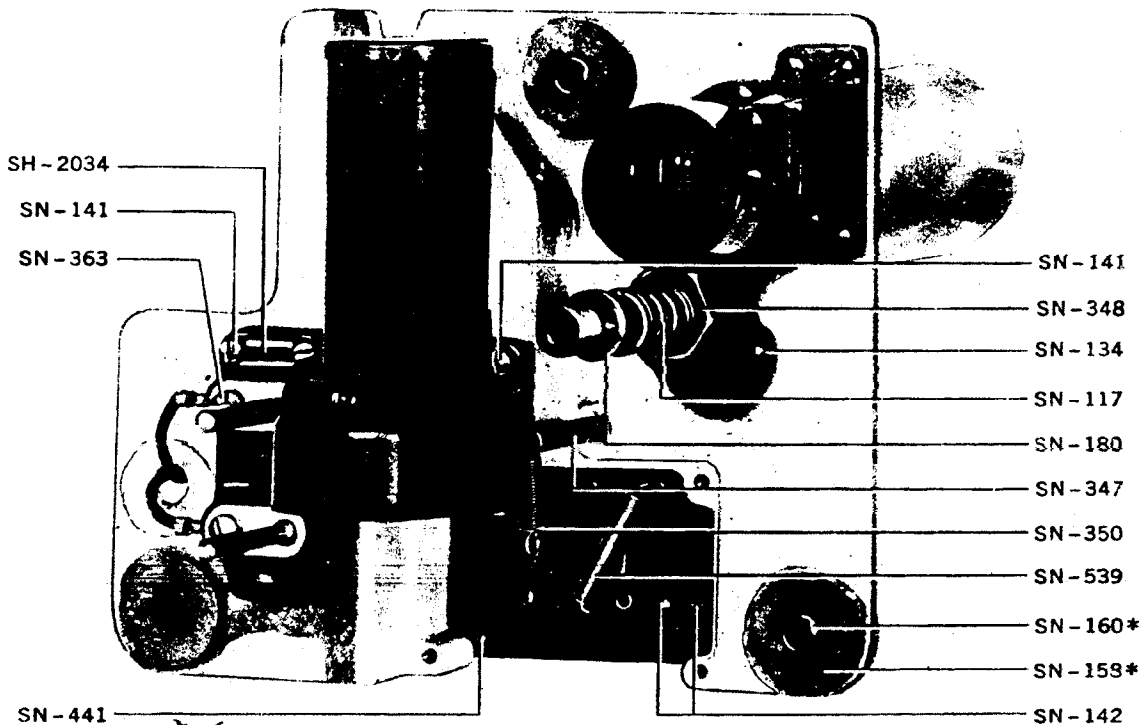
SN-315	Lens (Mirror)
SN-316	Lens Holder
SN-317	Ring
SN-318	Gasket
SN-319	Spring

* Indicates Non-Component Item
Must be ordered separately



SH-2033 SOUND BRACKET ASSEMBLY

* INDICATES NON-COMPONENT ITEM
 MUST BE ORDERED SEPARATELY



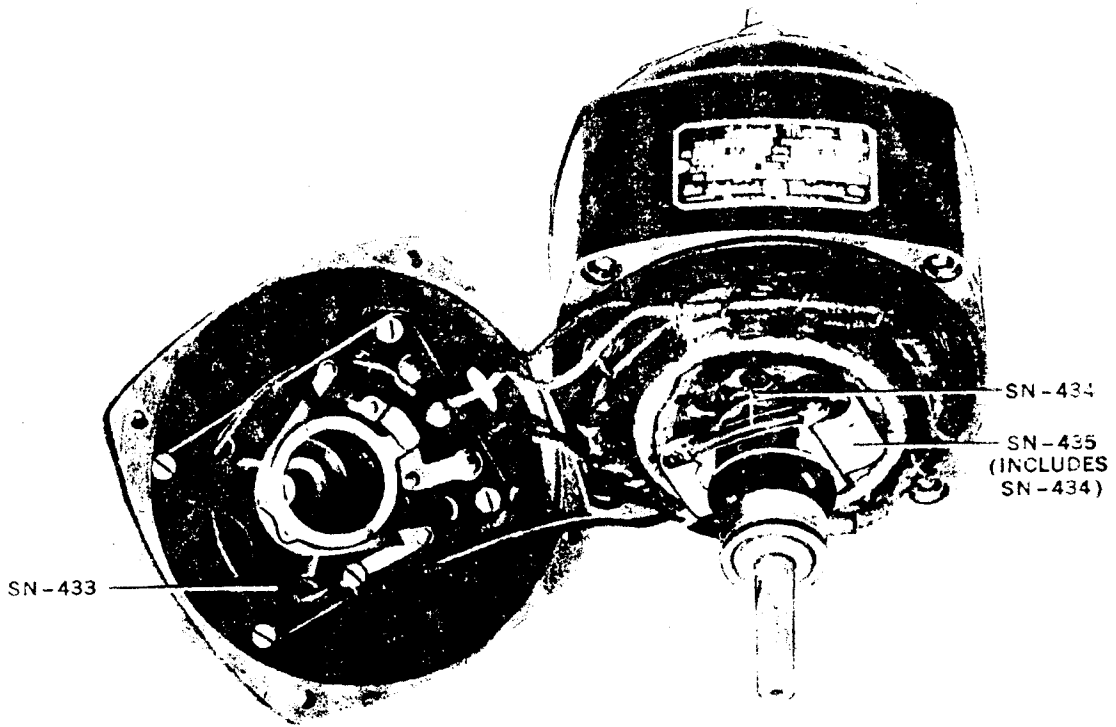
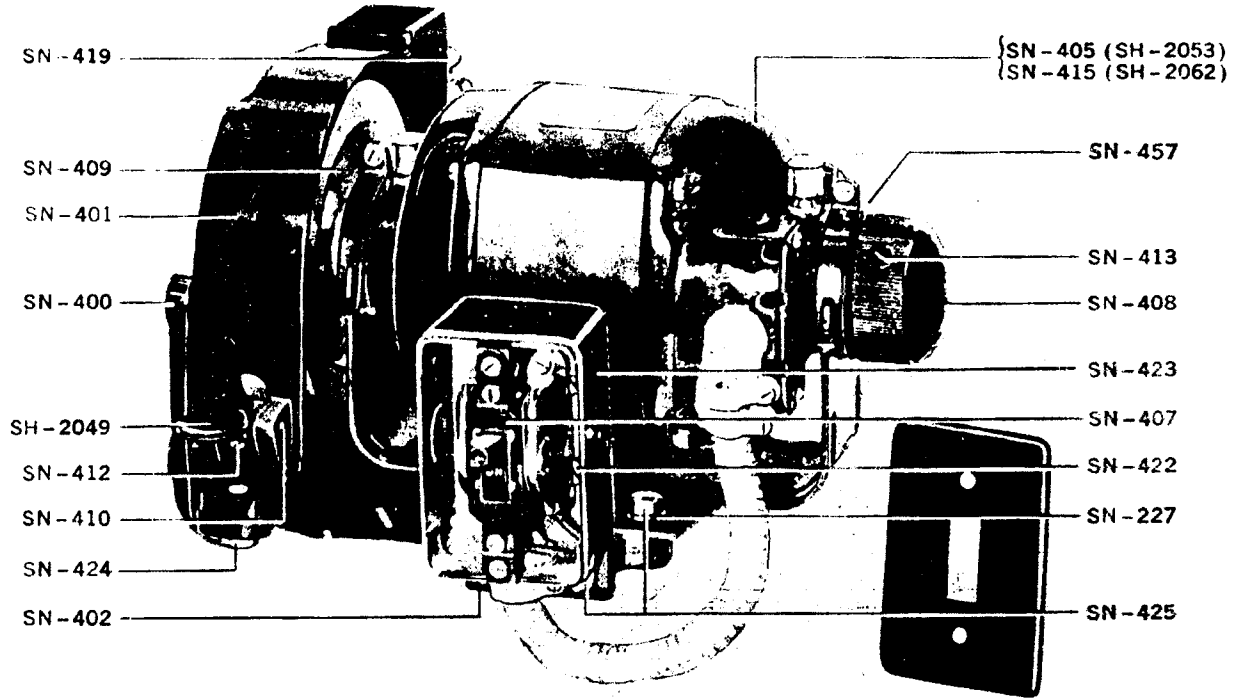
SH-2033 SOUND BRACKET ASSEMBLY

SH-2027	Lateral Guide Roller Assembly	SN-322	Screw
SH-2069	Lateral Guide Roller Assembly	SN-325	Plate (Compartment Extension)
SH-2028	Exciter Lamp Bracket Assembly	SN-326	Screw (Extension Plate Fstg.) (2)
SH-2029	P.E. Cell Bracket Assembly	SN-345	Sound Bracket
SH-2030	Lens Assembly	SN-347	Stud
SH-2031	Reflector Lens Assembly	SN-348	Stud (Lateral Guide Roller)
SH-2034	Exciter Lamp Base Assembly	SN-349	Nut
SH-2051	Terminal Strip Assembly	SN-350	Spring
SN-104	Screw (4)	SN-351	Screw
SN-117	Spring	SN-353	Retainer (2)
SN-134	Stop Pin	SN-354	Spacer
SN-139	Screw (2)	SN-355	Collar
SN-140	Screw (2)	SN-356	Washer (Spring) (2)
SN-141	Screw (13)	SN-357	Screw
SN-142	Screw (8)	SN-358	Gasket (Retainer)
SN-151	Shaft (Drum)	SN-359	Ball Bearing (2)
*SN-158	Bushing (6) (See SH-1000)	SN-363	Screw (2)
*SN-160	Spacer (3) (See SH-1000)	SN-370	Bracket
SN-180	Washer	SN-372	Cover
SN-223	Screw (7)	SN-373	Cable Clamp (2)
*SN-297	Exciter Lamp (4 Amp., 9 Volts)	SN-441	Spacer (4)
*SN-299	Exciter Lamp (7.5 Amp., 10 Volts)	SN-539	Resistor
SN-306	Partition	*SN-724	Photo Electric Cell, 868 TUBE
SN-320	Bracket (Reflector Lens)	SN-829	Terminal Lug
SN-321	Bracket		

* Indicates Non-Component Item
Must be ordered separately

*INDICATES NON-COMPONENT ITEM
MUST BE ORDERED SEPARATELY

ordered 2.

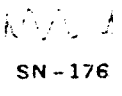
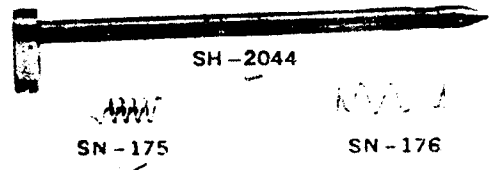
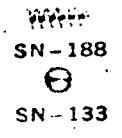
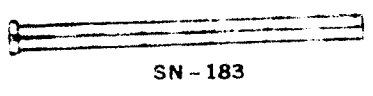
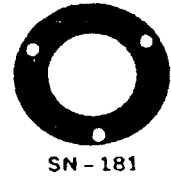
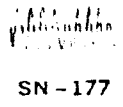
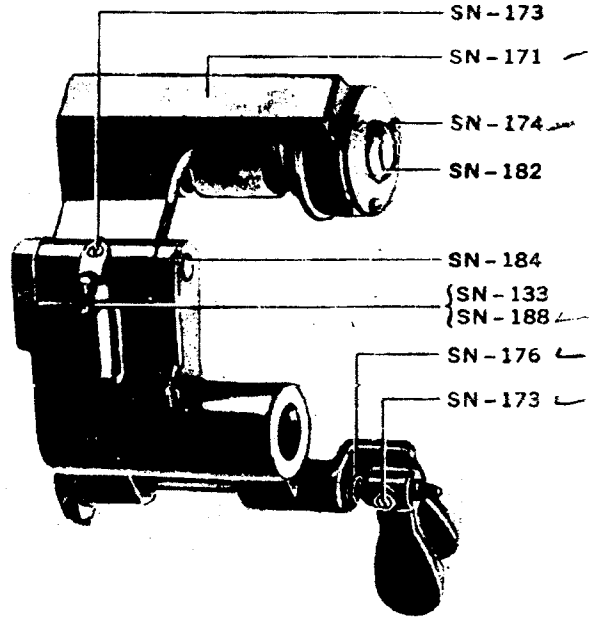
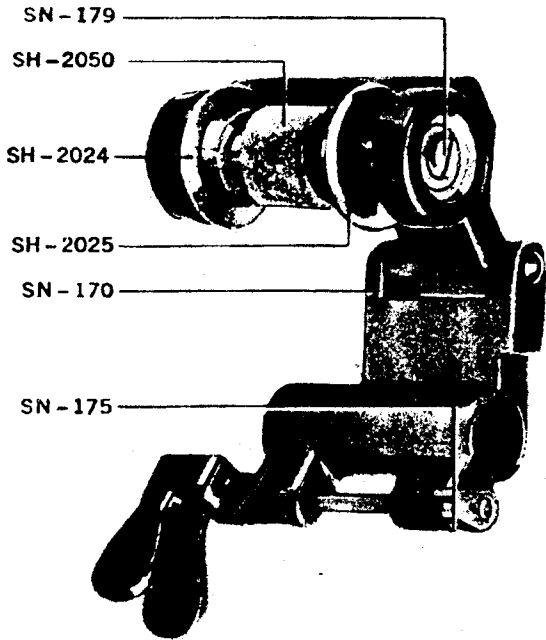


SH-2053 MOTOR ASSEMBLY - 60 CYCLE
 SH-2062 MOTOR ASSEMBLY - 50 CYCLE

SH-2053 MOTOR ASSEMBLY - 60 CYCLE
SH-2062 MOTOR ASSEMBLY - 50 CYCLE

SH-2049	Brake Assembly
SN-227	Washer (4)
SN-400	Motor Bracket
SN-401	Cover
SN-402	Plate
*SN-405	Motor (60 Cycle)
SN-407	Switch
SN-408	Knob
SN-409	Flywheel
SN-410	Pin
SN-412	Screw
SN-413	Screw
*SN-415	Motor (50 Cycle)
SN-419	Petcock
SN-422	Screw (4)
SN-423	Box
SN-424	Screw (2)
SN-425	Screw (6)
SN-433	Switch Contact Assembly
SN-434	Spring (2)
SN-435	Cutout (Includes SN-434)
SN-457	Resilient Mounting Ring (2)

* SN-405 Used on SH-2053 Only
SN-415 Used on SH-2062 Only

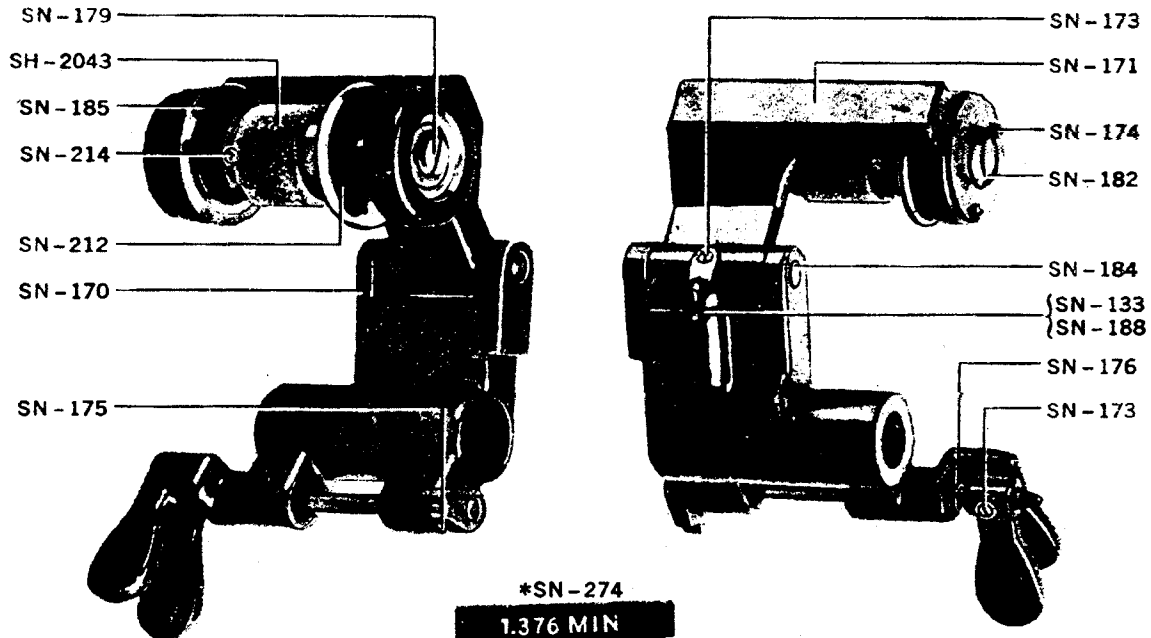


SH-2069 LATERAL GUIDE ROLLER

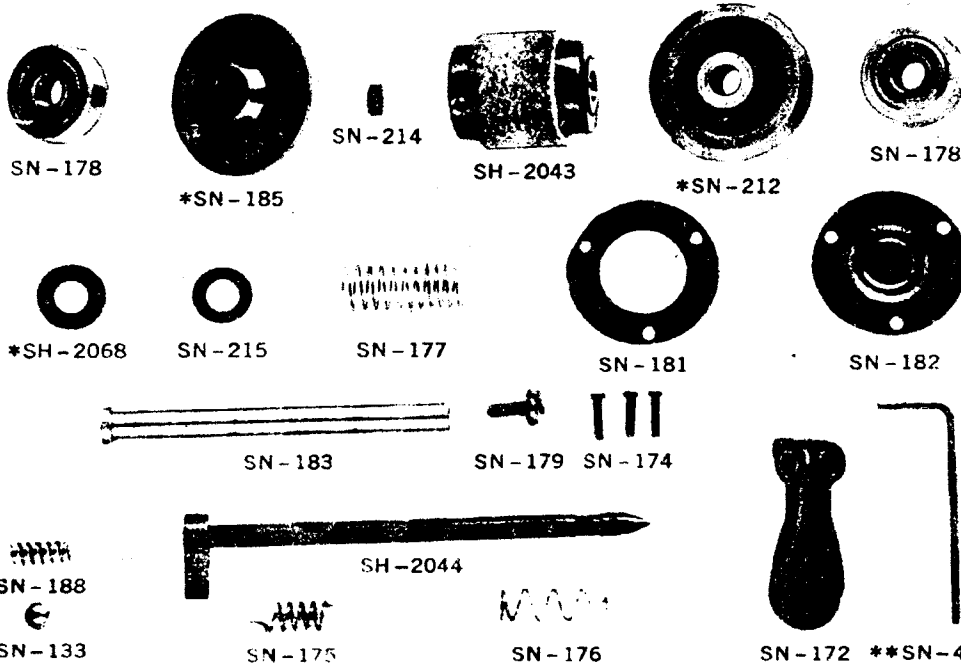
**INDICATES NON-COMPONENT ITEM
MUST BE ORDERED SEPARATELY

SH-2069 LATERAL GUIDE ROLLER

SH-2024	Flange (Fixed)
SH-2025	Flange (Movable)
SH-2044	Stop Arm Shaft Assembly
SH-2050	Felt Roller
SN-133	Ball
SN-170	Bracket (Lower)
SN-171	Bracket (Upper)
SN-172	Lever
SN-173	Set Screw (2)
SN-174	Screw (3)
SN-175	Spring
SN-176	Spring
SN-177	Spring
SN-178	Ball Bearing (2)
SN-179	Screw (2)
SN-181	Plate (Inner)
SN-182	Cover Plate
SN-183	Shaft
SN-184	Pin
SN-188	Spring
SN-215	Washer (Cup)



*SN-274
1.376 MIN
1.381 MAX



SH-2027 LATERAL GUIDE ROLLER

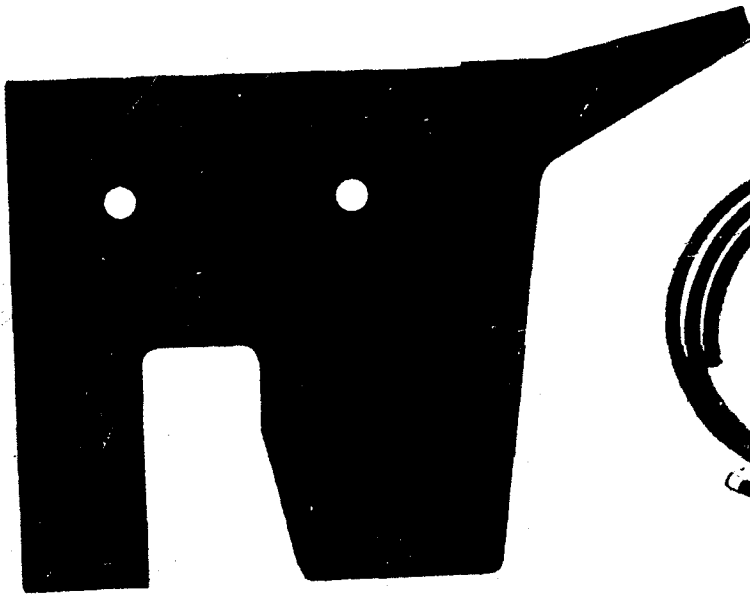
*ORDERS FOR SN-185 AND/OR SN-212 MUST SPECIFY ONE SH-2068, AND ONE SN-274 SHOULD BE ORDERED IF NOT ALREADY AVAILABLE.

**INDICATES NON-COMPONENT ITEM MUST BE ORDERED SEPARATELY

SH-2027 LATERAL GUIDE ROLLER

*SH-2043	Felt Roller
SH-2044	Stop Arm Shaft Assembly
SH-2068	Washers (Set of 6)
SN-133	Ball
SN-170	Bracket (Lower)
SN-171	Bracket (Upper)
SN-172	Lever
SN-173	Set Screw (2)
SN-174	Screw (3)
SN-175	Spring
SN-176	Spring
SN-177	Spring
SN-178	Ball Bearing (2)
SN-179	Screw (2)
SN-181	Plate (Inner)
SN-182	Cover Plate
SN-183	Shaft
SN-184	Pin
SN-185	Flange (Fixed)
SN-188	Spring
SN-212	Flange (Movable)
*SN-214	Screw (Bristo)
SN-215	Washer (Cup)
SN-274	Gauge
SN-492	Wrench (Bristo)

* SH-2043 and SN-214 may be
ordered as SH-2041



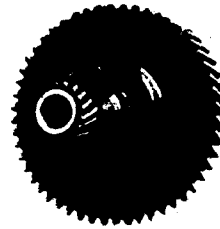
SN-475
 NP-148



SH-2048



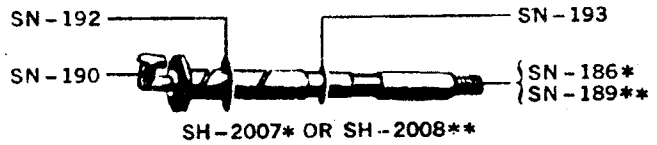
SN-431



SH-2005* OR SH-2060** ✓



SN-478



SH-2007* OR SH-2008**



SN-476



SN-489



SN-481



SN-477



SN-227



SN-482

SOUND MECHANISM ACCESSORIES

*SUPER SIMPLEX
 PROJECTOR ONLY

**E-7 SIMPLEX
 PROJECTOR ONLY

SOUND MECHANISM ACCESSORIES

*SH-2005	Drive Gear
**SH-2060	Drive Gear
SH-2048	Belt Assembly
SN-227	Washer (2)
SN-431	Conduit Strap
SN-475	Oil Shield
SN-476	Screw (4)
SN-477	Washer (4)
SN-478	Wrench
SN-481	Spacer
SN-482	Spacer
SN-489	Screw (2)
NP-148	Oil Shield (Used on Model SI Mechanism Only)
*SH-2007	Drive Gear Stud
**SH-2008	Drive Gear Stud
SN-186	Stud (Used on SH-2007 Only)
SN-189	Stud (Used on SH-2008 Only)
SN-190	Oil Cup
SN-192	Washer
SN-193	Washer

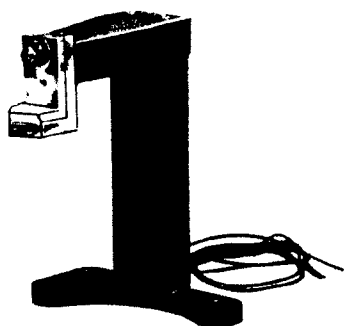
* Super-Simplex Projector Only
** E-7 Simplex Projector Only

Bilateral Transducers Stereo



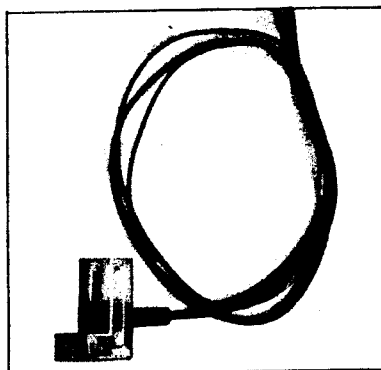
Systems & Products Engineering Company

709 North 6th Street•Kansas City, Kansas 66101•(913) 321-3978•FAX 321-7439



Simplex Split Cell Stereo Assembly

Model # 392100



Replacement Split Cell Stereo Head Assembly

Model # 394200

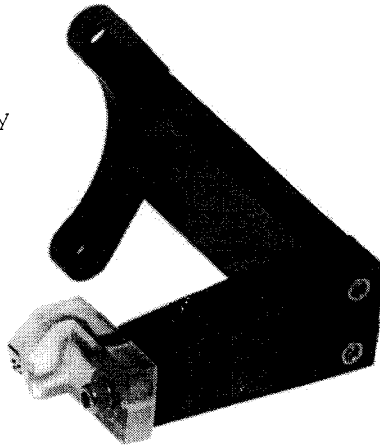


KELMAR

Systems Inc., 284 Broadway, Huntington Station, NY 11746 • 516.421.1230 • FAX 516.421.1274

Audio Systems

Century
shown



Linear Transducers MONO

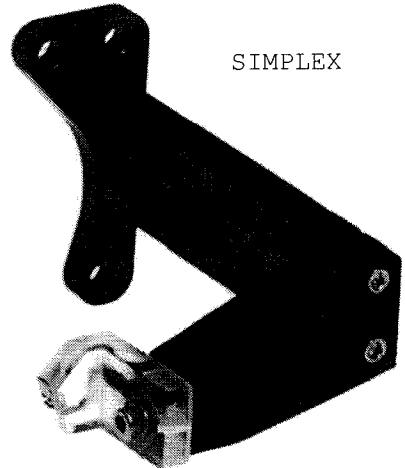
AX-1070 Basic Cell ONLY — NO BRACKET \$65.00

AX-1076 Simplex 85.00

Bilateral Transducers (Stereo)

DX-1071 Stereo Cell Head Assembly ONLY, for Century, RCA,
Simplex, Motiograph \$89.00

DX-1076 Simplex 129.00



SIMPLEX