

Film-Tech

The information contained in this Adobe Acrobat pdf file is provided at your own risk and good judgment.

These manuals are designed to facilitate the exchange of information related to cinema projection and film handling, with no warranties nor obligations from the authors, for qualified field service engineers.

If you are not a qualified technician, please make no adjustments to anything you may read about in these Adobe manual downloads.

www.film-tech.com

Make-up Table (ELR) Adapter Plate

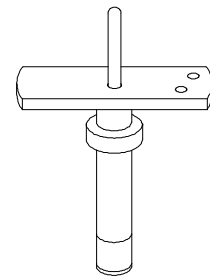
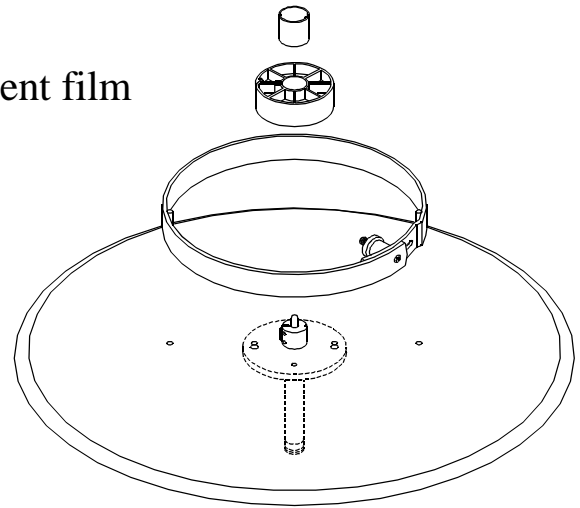
Extended Length Reel Adapter Plate for Make-Up Table PIB 3915

Designed for use on a make-up table for convenient film make-up and break down from the new (ELR) Extended Length Reel.

Can also be used to handle coming attractions and reel-to-reel requirements.

FEATURES

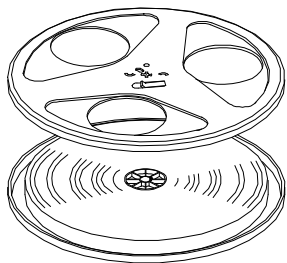
- Replaces the plastic **ELR** when making-up and breaking down from the table.
- Provides more precise film alignment with rollers.
- Available for round drive plates (#3930) and early model drive plates (#3931).
- Accepts standard center ring.
- Can be used with all film cores with 1" I.D. centers (both internally and externally keyed).



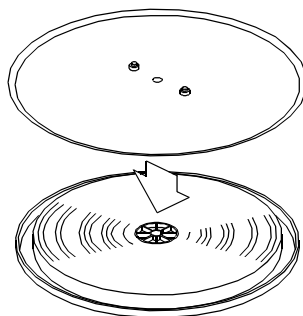
Early model
drive plate #3931

Film Capacity: 4" Core - 7000 feet, 13" Center Ring - 5300 feet.

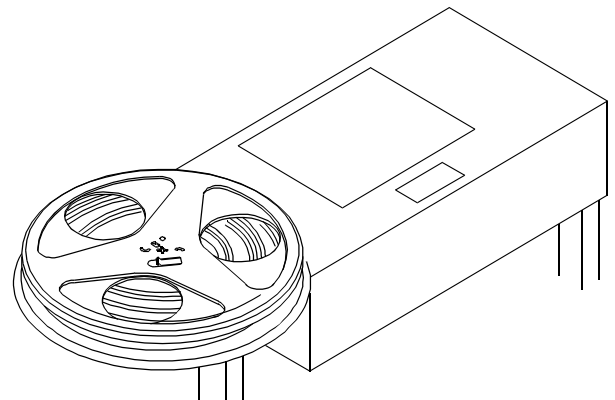
Specifications: 26 1/2" diameter, .090" thick aluminum



Step 1. Remove one side
of plastic **ELR**.



Step 2. Install **ELR** Reel
Adapter Plate.



Step 3. Flip over Reel Adapter Plate
And install on table drive plate.