

Film-Tech

The information contained in this Adobe Acrobat pdf file is provided at your own risk and good judgment.

These manuals are designed to facilitate the exchange of information related to cinema projection and film handling, with no warranties nor obligations from the authors, for qualified field service engineers.

If you are not a qualified technician, please make no adjustments to anything you may read about in these Adobe manual downloads.

www.film-tech.com

NEUMADE PRODUCTS CORP.

2485 WALDEN AVENUE

BUFFALO, N. Y. 14225



TELEPHONE

(716) 684-0050-51

REPRESENTED BY

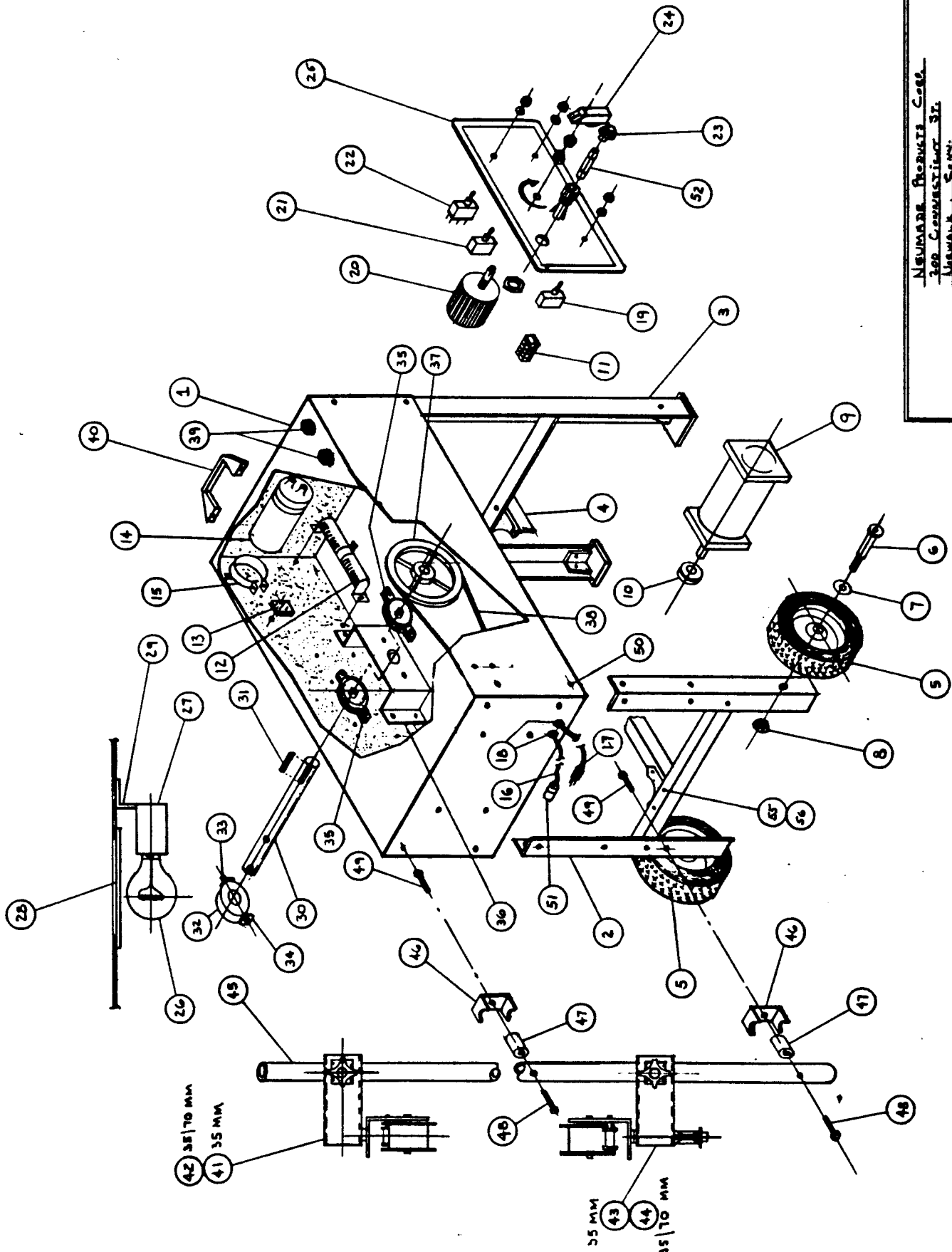
NEUMADE INDUSTRIES, INC.

NEUMADE MAKE-UP TABLE MODEL No. C-1954-B

CURRENT AS OF 10-11-90

Item No.	Part No.	No. Req'd	Description
	C-1954-B		complete M.U.T. assembly must state 35MM or 35/70MM set-up
1	D-1973-A	1	M.U.T. cabinet only less legs
2	C-1974-A	1	M.U.T. right hand leg assm less wheels
3	C-1975-A	1	M.U.T. left hand leg assm with cast feet
4	B-1976-A	1	M.U.T. cross brace
5	C-1954-5	2	wheels (1½" wide x 6" dia)
6	C-1954-6	2	wheel arbor bolt (½" dia. x 1½" lg)
7	C-1954-7	4	flat washer (7/8" O.D. x ½" I.D.)
8	C-1954-8	2	kep nut (3/8"-16)
9	C-1954-9	1	motor
10	C-1954-10	1	motor pulley (2¼" O.D. x ½" I.D.)
11	C-1954-11	1	terminal block
12	C-1954-12	1	brake resistor
13	C-1954-13	1	full wave bridge rectifier
14	C-1954-14	1	capacitor
15	C-1954-15	1	capacitor clamp
16	C-1954-16	1	line cord to platter deck motor assm
17	C-1954-17	1	3 wire power cord with molded plug
18	C-1954-18	2	cord strain relief busing
19	C-1954-19	1	on-off switch
20	C-1954-20	1	variac
21	C-1954-21	1	brake switch
22	C-1954-22	1	make up take down switch
23	C-1954-23	1	fuse holder

24	C-1954-24	1	knob for variac
25	C-1954-25	1	control panel
26	C-1954-26	1	25 watt light bulb
27	C-1954-27	1	light bulb socket
28	C-1954-28	1	plastic light panel
29	C-1954-29	1	light bracket
30	B-1928-A	1	3/4" dia main drive shaft
31	C-1954-31	1	pulley key
32	A-1965-2	1	collar 1 1/4" O.D. x 3/4" I.D. x 1/2" wide
33	A-1965-3	2	ball plunger 5/16"-18
34	A-1965-4	2	jam nuts 5/16"-18
35	C-1954-35	2	flanged bearing 3/4" I.D.
36	B-1924-A	1	flanged bearing bracket
37	C-1954-37	1	pulley 3/4" I.D. x 8" O.D.
38	C-1954-38	1	5/16" dia drive belt
39	C-1954-39	2	rubber adaptor holder
40	C-1954-40	1	handle
41	B-1961-A	1	35MM upper roller & bracket assem
42	B-1962-A	1	35/70MM upper roller & bracket assem
43	B-1963-A	1	35MM lower roller & bracket assem
44	B-1964-A	1	35/70MM lower roller & bracket assem
45	C-1954-45	1	post - roller bracket
46	C-1954-46	2	bracket - roller post
47	C-1954-47	2	spacer - roller post
48	C-1954-48	2	post screw 1/4-20 x 1 1/2" lg. button hd.
49	C-1954-49	2	spacer screw 1/4-20 x 1/2" lg. " "
50	C-1954-50	15	leg mounting screws 1/4-20 x 3/8" lg button hd,
51	C-1954-51	1	twist lock plus connector only
52	C-1954-52	1	fuse (3AG-SA)
53	C-1954-53	1	harness assem
54	C-1954-54	10	cable ties
55	C-1954-55	4	cross brace screws #10-32 x 1/2" lg. button hd.
56	C-1954-56	4	cross brace nuts #10-32 kep nuts
	A-1940-A	1	1/2" dia 35MM snap action spindle assem
	A-1943-A	1	5/16" dia 35MM adj. snap action spindle assem
	A-1945-A	1	5/16" dia 35MM/R-9 key snap action spindle assem
	A-1942-A	1	1/2" dia 70MM snap action spindle assem



NEUMADE PRODUCTS CORP.
 200 COMMERCIAL ST.
 LINDEN, N.J.

NEUMADE MAKE UP TABLE

Model No. C-1954-B

P.P. 1011130 N. Scale

SVN	REVISION	DATE	APP.

UPPER ROLLER POST CLAMP
B-1955-A

ROLLER POST INSIDE CLAMP
XUR-062

ROLLER POST CLAMP KNOB
A-1960-A

1/4" - 20 x 1" LG. BUTT. HD. SC.
B-1961-13

1/4" - 20 ESNA NUT
B-1961-12

THRUST BEARING
11-0106176

35MM TRAP ROLLER
A-1830-A

35MM ROLLER SHAFT
A-1871-A

35MM TRAP ROLLER SHAFT
A-1835-A

1/4" INTERNAL STAR WRENCH
B-1961-14

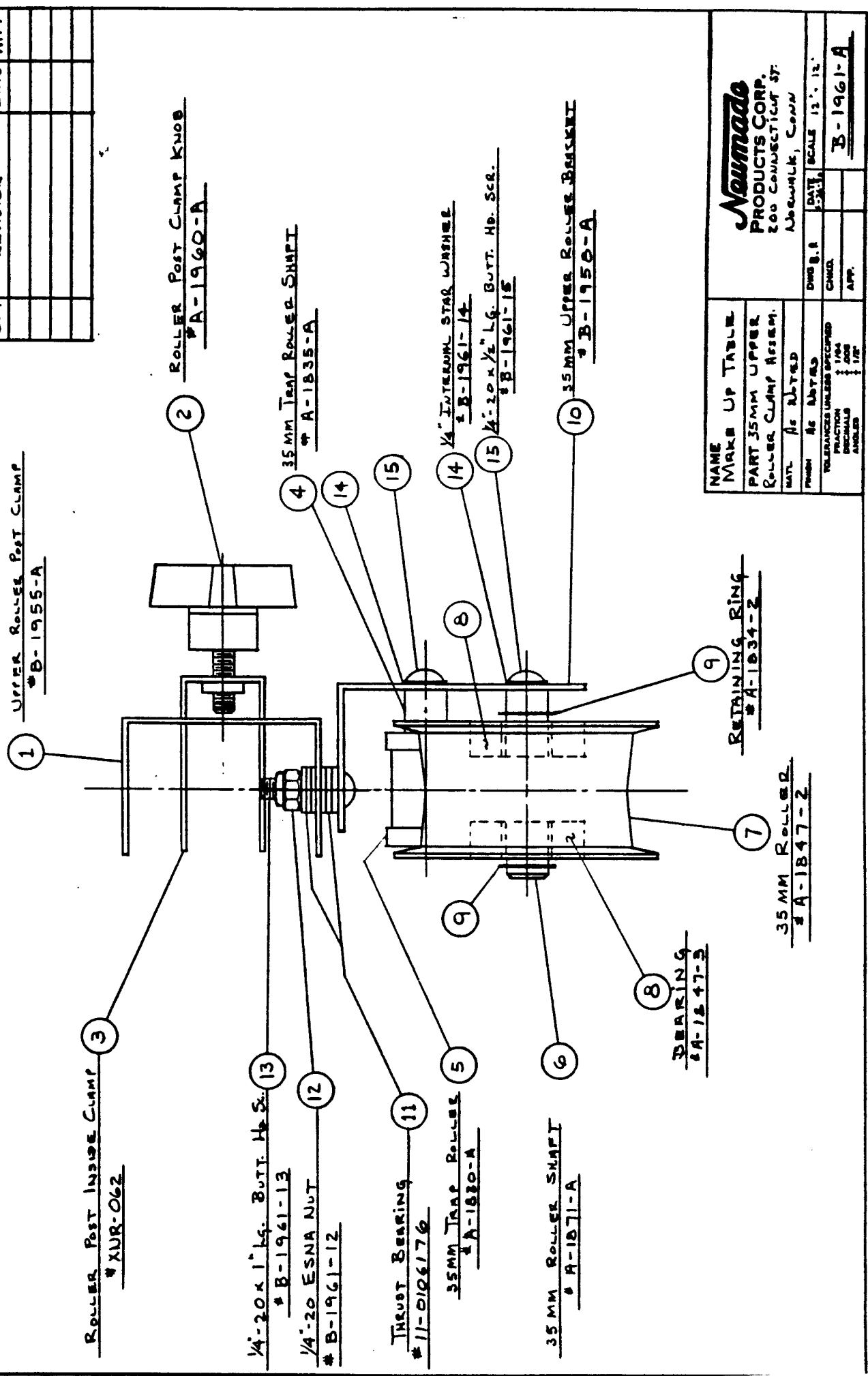
1/4" - 20 x 1/2" LG. BUTT. HD. SC.
B-1961-15

15MM UPPER ROLLER BASKET
B-1950-A

BEARING
A-1847-3

RETAINING RING
A-1834-2

35MM ROLLER
A-1847-2

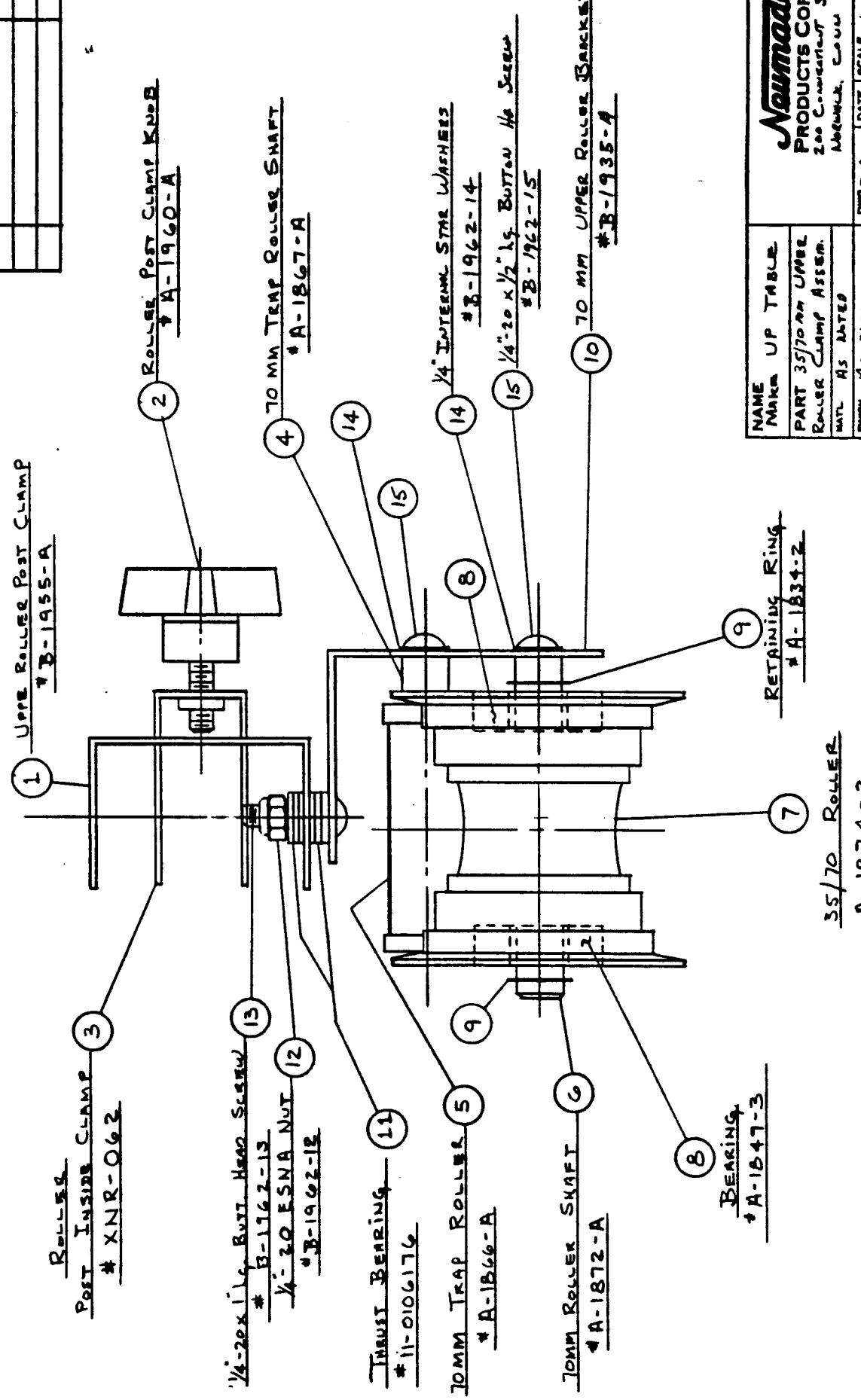


NAME	UP TABLE
MARK	PART 35MM UPPER ROLLER CLAMP ASSEMB.
DATE	As Shown
FROM	AS NOTED
TO	AS NOTED
TOLERANCES UNLESS SPECIFIED	
FRACTION	1/64
DECIMALS	008
ANGLES	1/2°
DWG. BY	SCALE 12" = 12"
CHECKED	
APP.	

Naumada
PRODUCTS CORP.
200 CONNECTICUT ST.
NEWARK, CONN

B-1961-A

SWM	REVISION	DATE	APP'Y.



1 UPPER ROLLER POST CLAMP
B-1955-A

2 ROLLER POST CLAMP KNOB
A-1960-A

3 POST INSIDE CLAMP
XNR-062

4 70 MM TRAP ROLLER SHAFT
A-1867-A

5 70MM TRAP ROLLER
A-1866-A

6 70MM ROLLER SHAFT
A-1872-A

7 35/70 ROLLER
A-1874-2

8 BEARING
A-1847-3

9 RETAINING RING
A-1834-2

10 70 MM UPPER ROLLER BRACKET
B-1935-A

11 THRUST BEARING
11-0106176

12 1/2-20 E.S.N.A. NUT
B-1962-1B

13 1/4-20 x 1 1/4 BUTT HEAD SCREW
B-1962-1B

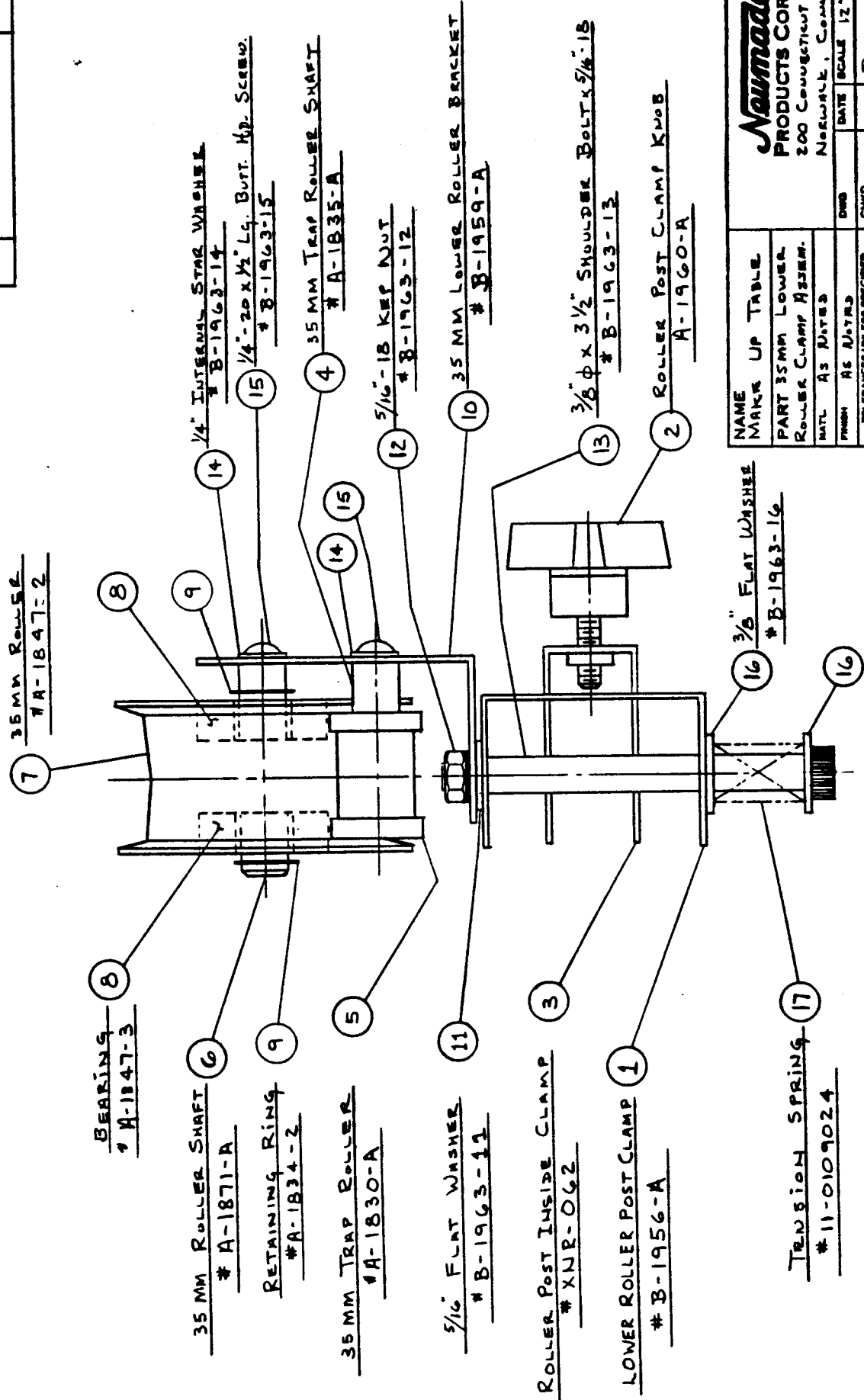
14 1/4" INTERLOCK STAR WASHERS
B-1962-14

15 1/4" 20 x 1/2" LG. BUTTON HD SCREW
B-1962-15

Name UP TABLE Make UP TABLE Part 35/70MM UPPER ROLLER CLAMP ASSER. Matl AS NOTED Finish AS NOTED Drawn H.S. BARTO Checked FRACTION UNLESS SPECIFIED 1/64 DECIMALS .008 ANGLES 1/16		DATE 12 ' 12 ' 62 SCALE B-1962-A
NAME UP TABLE MAKE UP TABLE PART 35/70MM UPPER ROLLER CLAMP ASSER. MATL AS NOTED FINISH AS NOTED DRAWN H.S. BARTO CHECKED FRACTION UNLESS SPECIFIED 1/64 DECIMALS .008 ANGLES 1/16		DATE 12 ' 12 ' 62 SCALE B-1962-A

Naumade
 PRODUCTS CORP.
 200 Commercial St.
 Newark, Conn.

SYM	REVISION	DATE	APP'.



BEARING # A-1847-3

35 MM ROLLER SHAFT # A-1871-A

RETAINING RING # A-1834-3

35 MM TRAP ROLLER # A-1830-A

5/16" FLAT WASHER # B-1963-11

ROLLER POST INSIDE CLAMP # XNR-062

LOWER ROLLER POST CLAMP # B-1956-A

3/8" FLAT WASHER # B-1963-16

TENSION SPRING # 11-0109024

1/4" INTERNAL STAR WASHER # B-1963-14

15 1/4" - 20 x 1/2" Lg. BUTT. Hd. SCREW # B-1963-15

4 35 MM TRAP ROLLER SHAFT # A-1835-A

12 5/16" - 18 KEF NUT # B-1963-12

10 35 MM LOWER ROLLER BRACKET # B-1959-A

13 3/8" ϕ x 3 1/2" SHOULDER BOLT x 5/8" - 15 # B-1963-13

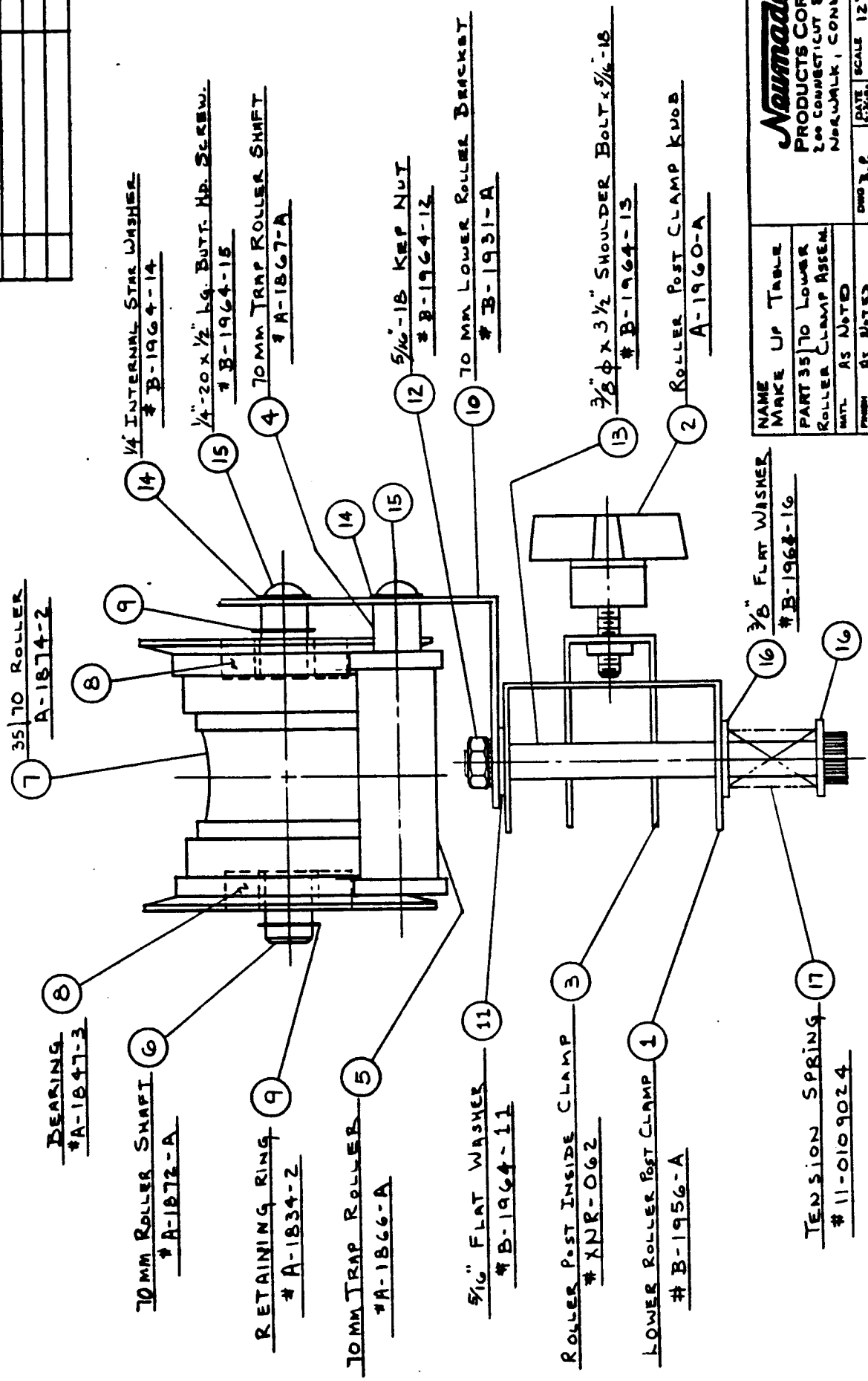
2 ROLLER POST CLAMP KNOB # A-1960-A

16

17

Neumade PRODUCTS CORP. 200 CONNECTICUT ST. NORWALK, Conn.	
NAME	MARKS UP TABLE
PART	35 MM LOWER ROLLER CLAMP ASSEMBLY
DWG	AS NOTED
DATE	SCALE 12" = 12"
CHKD.	
APP.	# B-1963-A
TOLERANCES UNLESS SPECIFIED	
FRACTION	1/64
DECIMALS	0.005
ANGLES	1/8°

SYM	REVISION	DATE	APP.



7 35/70 ROLLER
#A-1874-2

8 BEARING
#A-1847-3

9 70MM ROLLER SHAFT
#A-1872-A

9 RETAINING RING
#A-1834-2

5 70MM TRAP ROLLER
#A-1866-A

11 5/16" FLAT WASHER
#B-1964-11

3 ROLLER POST INSIDE CLAMP
#XNR-062

1 LOWER ROLLER POST CLAMP
#B-1956-A

16 3/8" FLAT WASHER
#B-1962-16

17 TENSION SPRING
#11-0109024

14 1/4" INTERNAL STAR WASHER
#B-1964-14

15 1/4" x 20 x 1/2" LG. BUTT. HD. SCREW
#B-1964-15

4 70MM TRAP ROLLER SHAFT
#A-1867-A

12 5/16"-18 KEP NUT
#B-1964-12

10 70 MM LOWER ROLLER BRACKET
#B-1931-A

13 3/8" x 3 1/2" SHOULDER BOLT
#B-1964-13

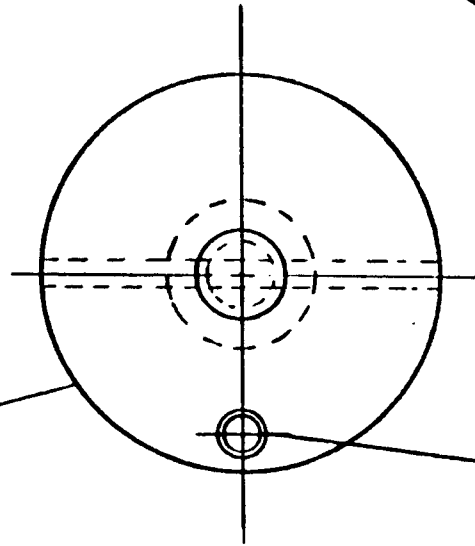
2 ROLLER POST CLAMP KNOB
#A-1960-A

NAME UP TABLE	
PART 35/70 LOWER ROLLER CLAMP ASSEM.	DATE SCALE 12"=12"
UNIT AS NOTED	ENG. B.P.
FRESH AS NOTED	CHKD.
TOLERANCES UNLESS SPECIFIED	APP.
FRACTION 1/64	
DIMENSIONS	
ANGLES	

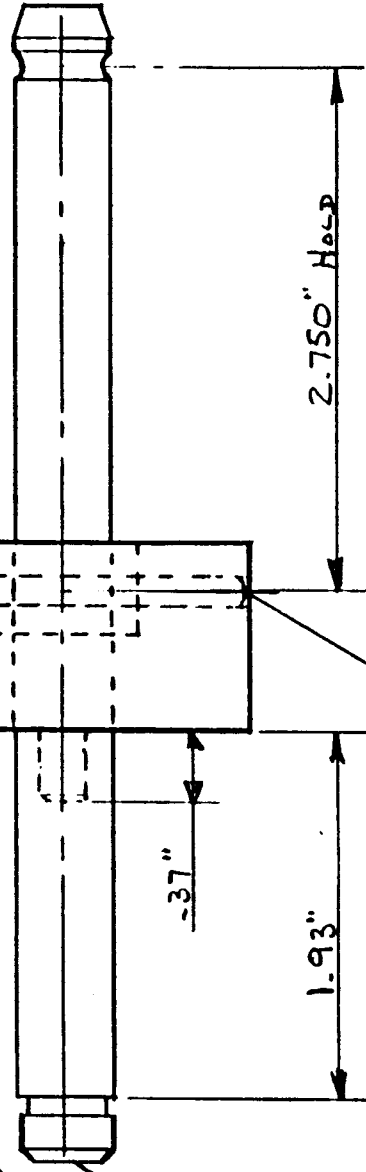
Neumada
PRODUCTS CORP.
200 CONNECTICUT ST.
NEWARK, CONN.

#B-1964-A

1 COLLAR
A-1936-A



5 END CLIP
A-1811-A



2 1/2" φ SNAP ACTION SHAFT
A-1929-A

3 SPRING PIN 5/32" φ x 1 7/8" Lg.

4 SPRING PIN 1/4" φ x 1" Lg.

SYM	REVISION	DATE	APP'Y.

NAME SPINDLE ASSEM		DWG	DATE	SCALE 12" = 12"
PART 1/2" φ 85 MM SNAP ACTION ASSEM		CHK'D.		
MATL AS NOTED		APP.		
FINISH AS NOTED		200 CONNECTICUT ST. NORWALK, CONN.		
TOLERANCES UNLESS SPECIFIED				
FRACTION ± 1/64				
DECIMALS ± .005				
ANGLES ± 1/2°				

NEWBOLD
PRODUCTS CORP.
200 CONNECTICUT ST.
NORWALK, CONN.

A-1940-A

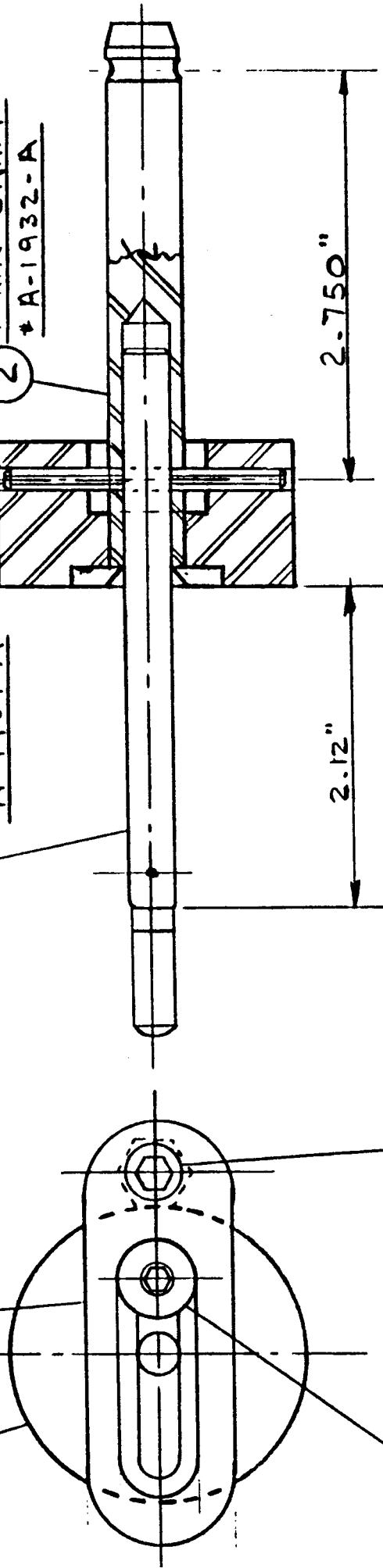
1
A-1934-A

4
SLIDE BAR
A-1780-A

6
 $\frac{9}{32}$ " ϕ x $1\frac{7}{8}$ " Lg.
SPRING PIN

3
35 MM REEL SHAFT
A-1937-A

2
MAIN SHAFT
A-1932-A



7
DRIVE DOG SPACER
 $\frac{3}{8}$ " O.D. x $\frac{1}{4}$ " I.D. x $\frac{7}{8}$ " Lg.

8
 $\frac{1}{4}$ "-20 x $\frac{1}{4}$ " Lg.
S.H.C.S.

9
 $\frac{1}{4}$ "-20
HEX NUT

10
 $\frac{1}{4}$ " STD.
LOCK WASHER

5
LOCKING SCREW
 $\frac{1}{4}$ "-20 x $\frac{1}{2}$ " Lg. SOCKET
FLAT HEAD.

NAME SPINDLE ASSEM.		DWG B.P.	DATE 3-23-50	SCALE 12" = 12"
PART $\frac{5}{16}$ " ϕ - 35MM HOZ. SWAP ACTION ASSEM		CHKD.		
MATL AS NOTED		APP.		
FINISH BRIGHT NICKEL				
TOLERANCES UNLESS SPECIFIED FRACTION $\pm 1/64$ DECIMALS $\pm .005$ ANGLES $\pm 1/2^\circ$				
				A-1943-A

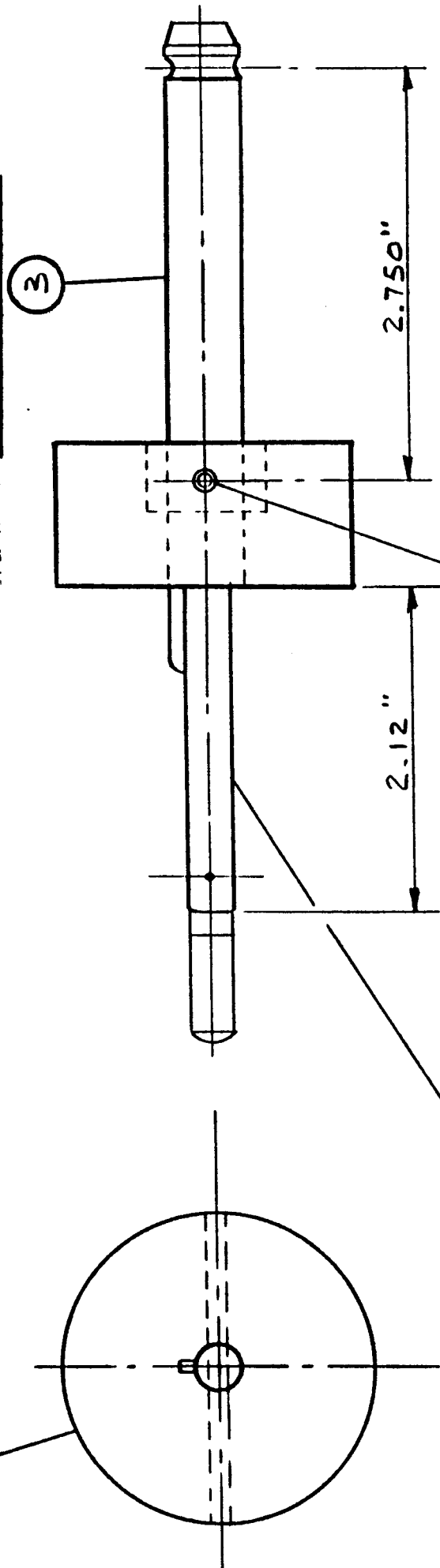
ADAPTEC
 PRODUCTS CORP.
 200 CONNECTICUT ST.
 NORWALK, CONN.

1 COLLAR
#A-1944-A

1/2" φ REAR SHAFT
#A-1933-A

2 5/16" φ SHAFT
#A-1938-A

4 SPRING PIN
5/32" φ X 1 7/8" LG.

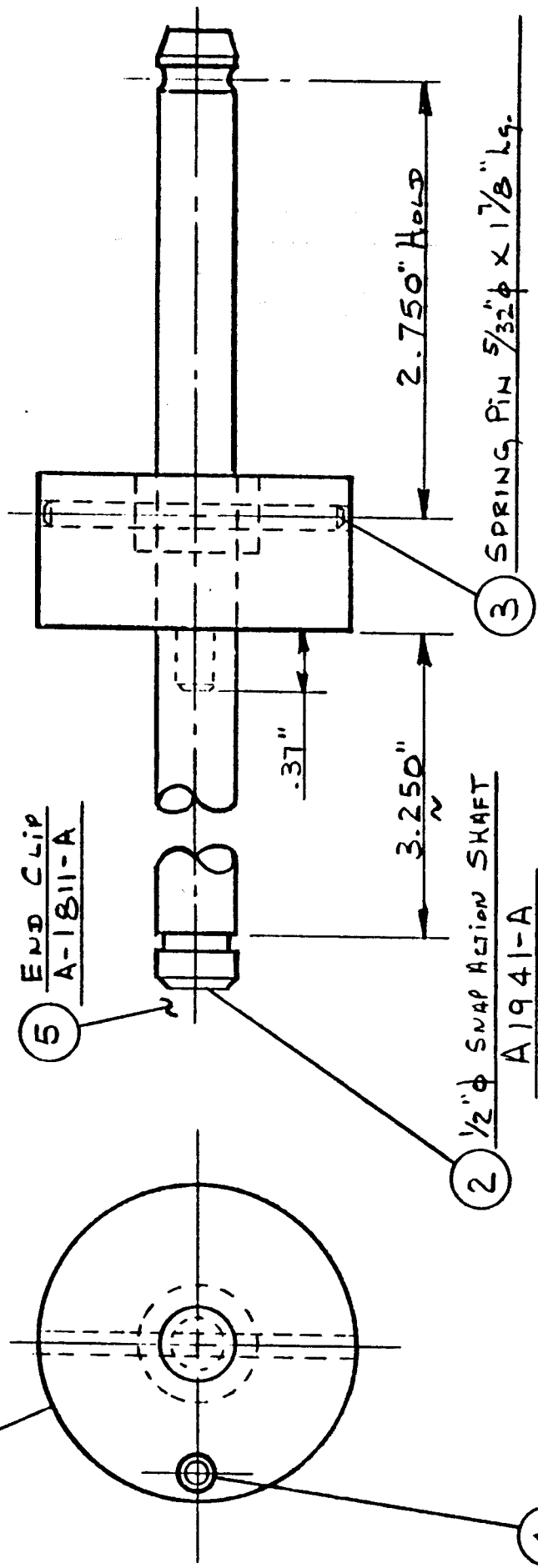


SYM	REVISION	DATE	APP'V.

NAME SPINDLE ASSEM		DWG	DATE	SCALE
PART 5/16" φ WITH R-109 KEY 36MM, SWAP ACTION ASSEMBLY		CHKD.		
MATERIAL AS NOTED		APP.		
FINISH BRIGHT NICKEL				
TOLERANCES UNLESS SPECIFIED				
FRACTION ± 1/64				
DECIMALS ± .005				
ANGLES ± 1/2°				

PRODUCTS CORP. 200 CONNECTICUT ST. NORWALK, CONN.				
		DWG	DATE	SCALE
		CHKD.		
		APP.		
				<u>A-1945-A</u>

1 COLLAR
A-1936-A



5 END CLIP
A-1811-A

2 1/2" φ SNAP ACTION SHAFT
A1941-A

3 SPRING PIN 5/32" φ X 1 1/8" LG.

4 SPRING PIN 1/4" φ X 1" LG.

NAME <u>SPINDLE ASSEM.</u>		DWG	DATE	SCALE	12" = 12"
PART <u>1/2" φ 70MM</u> <u>SNAP. ACTION ASSEM.</u>		CHSE.			
MATL	<u>AS NOTED</u>	APP.			
FINISH	<u>AS NOTED</u>				
TOLERANCES UNLESS SPECIFIED					
FRACTION	<u>1/64</u>				
DECIMALS	<u>1/100</u>				
ANGLES	<u>1/2°</u>				
		A-1942-A			

J. B. M. PRODUCTS CORP.
200 CONNECTICUT ST.
NORWALK, CONN.