

# Film-Tech

The information contained in this Adobe Acrobat pdf file is provided at your own risk and good judgment.

These manuals are designed to facilitate the exchange of information related to cinema projection and film handling, with no warranties nor obligations from the authors, for qualified field service engineers.

If you are not a qualified technician, please make no adjustments to anything you may read about in these Adobe manual downloads.

[www.film-tech.com](http://www.film-tech.com)

PARTS LIST

KOROPP

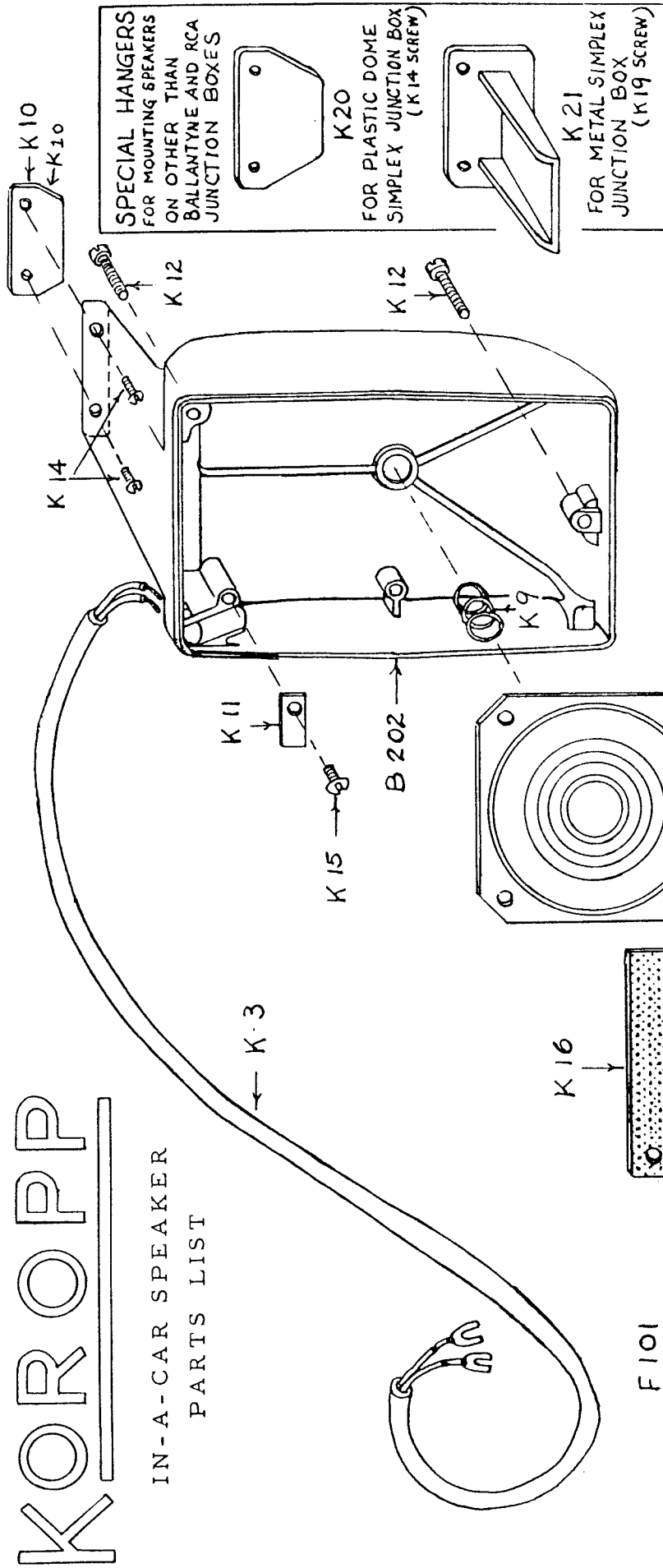
DRIVE IN THEATER

SPEAKERS

GLENN E. KOROPP COMPANY

# KOROPP

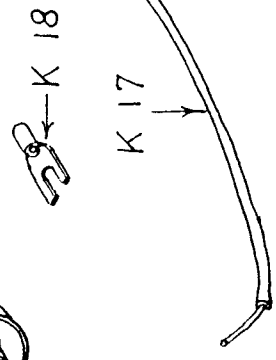
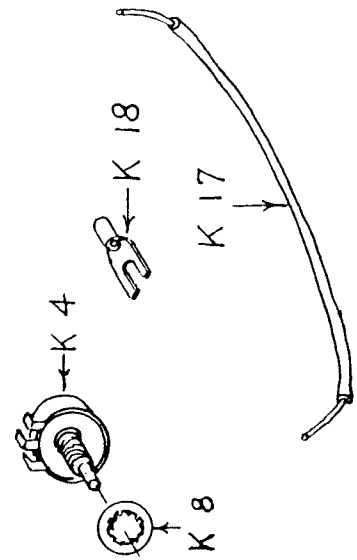
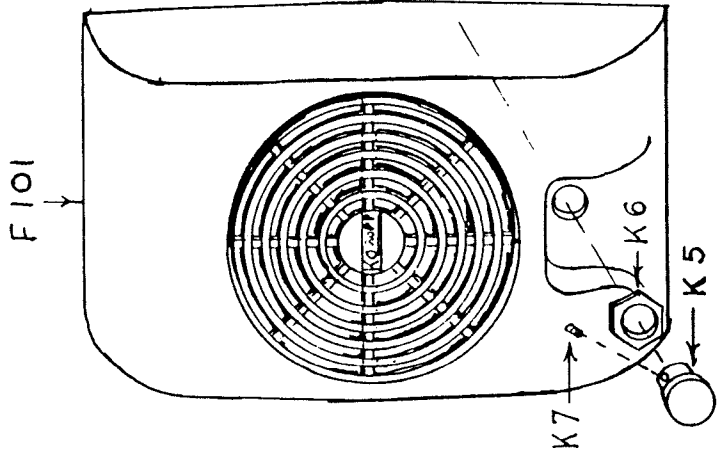
## IN-A-CAR SPEAKER PARTS LIST



- F-101
- B-202
- K-3
- K-4
- K-5
- K-6
- K-7
- K-8
- K-9
- K-10
- K-11
- K-12
- K-13
- K-14
- K-15
- K-16
- K-17
- K-18

- CASE FRONT
- CASE BACK
- STANDARD CORD
- VOLUME CONTROL
- KNOB, VOLUME CONTROL
- NUT, VOLUME CONTROL
- SET SCREW, VOL CONT KNOB
- LOCK WASHER, VOL CONTROL
- SPRING, SPEAKER HOLDING HANGER, SPEAKER (CLEAT)
- CLIP, CORD HOLD DOWN
- CASE SCREW, THEFT-PROOF
- CASE SCREW, PHILLIPS
- SPEAKER HANGER SCREW
- CLIP SCREW
- ALUMINUM CONE PROTECTOR
- SPEAKER UNIT LEAD WIRE
- SPADE LUG TERMINAL

SPEAKER UNITS  
PM4WB 1 OZ. MAGNET  
PM4WC 1.47 OZ. MAG.



PRICE LIST

GLENN E. KOROPP CO.  
2539 TESLA WAY  
SACRAMENTO, CALIF. 95825

PHONES  
916-489-0941  
916-483-0551

Part No.	Description.	Price.	Notes.
	<b>SPEAKER PARTS</b>		
E-101	Case, Front	2.25	
B-204	Case, Back	2.25	
B-204C	Case Back, complete w/hanger & clip	2.50	
K-3	Cord, Straight, Neoprene, 18-2, SJO	1.10	
K-4	Volume Control, w/nut & washer	1.25	
K-5	Knob, w/screw	.25	
K-7	Set Screw, knob	.05	
K-9	Spring, (long or short)	.15	
K-10	Speaker Hanger, (cleat) before 1968	.30	
K-11	Hold Down Clip, cord	.08	
K-12	Case Screw, Theft-proof, Pkg. 100	5.60c	
K-13	Case Screw, Phillips Pkg. 100	5.25c	
K-14	Speaker Hanger Screw Pkg. 100	3.75c	
K-15	Cord Clip Screw Pkg. 100	4.00c	
K-16	Perforated Aluminum Protector GRILLE	.35	
K-17	Speaker Unit Lead Wire Pkg. 50	2.25	
K-18	Spade Lug Terminal Pkg. 100	3.35c	
K-20	Hanger, Std., Long, before 1968	.30	
K-22	Theft-Proof Cord, Std., 6 ft.	2.00	
K-23-7	Theft-Proof Cord, Std., 7 ft.	2.20	
K-23-8	Theft-Proof Cord, Std., 8 ft.	2.40	
K-24	Solder, pack, 60/40 6FT. Coil	.99	
K-25	Screwdriver, Theft-proof	5.25	
K-27	Hanger, (cleat) 1968, fits B-203	.30	
K-28	Quick Disconnect Terminal 13/64 Pkg. 100	4.85c	
K-29	Taper Tab Terminal (Simplex) Pkg. 100	3.75c	
K-30	Hanger, current for B-204	.35	
PM4WC	Speaker Unit, 1.47 oz., mag., (case of 50) <sup>320</sup> <del>160</del> @ 1 CASE <del>160</del> <sup>160</sup>		
K-31	C-10 Lugs Pkg. 100	5.00c	

SPEAKER WIRE, CORDAGE, BULK.

~~Rubber Covered, 18-2 SJ, .300" O.D., UL.  
250 ft. roll N.L.A.~~

Deluxe Neoprene, 18-2 SJO, .300" O.D., UL  
250 ft. roll #2995 roll.

IN A CAR SPEAKER W/O KNOB @ 865 ADD 154 WITH KNOB  
ADD 1.10 WITH THEFTPROOF CORD

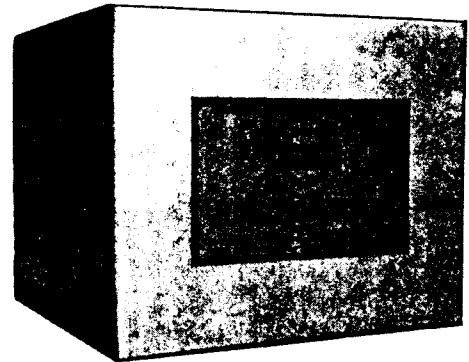
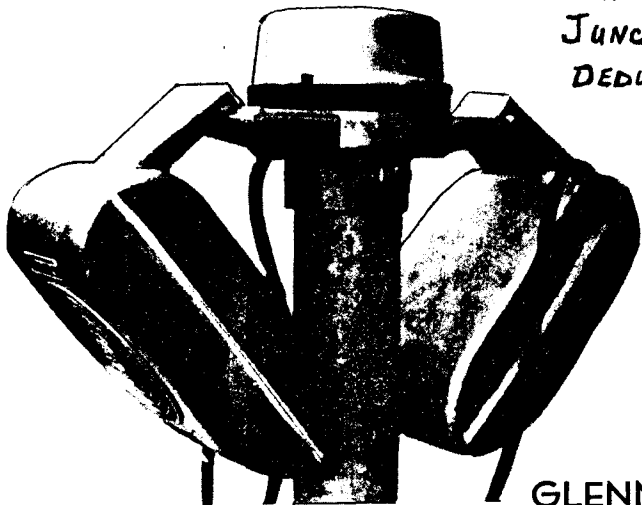
All prices are fob Sacramento, California. Terms: Net 30 days. 1 1/2% interest per month charged on overdue accounts.



<u>Part No.</u>	<u>Description.</u>	<u>JUNCTION BOX PARTS</u>	<u>Price.</u>
JB-303	TOP COVER _____		1.70
JB-404	BOTTOM CASTING _____		2.85
JB-41-1	TRANSFORMER, 1000 OHMS _____		2.65
<del>JB-41-2</del>	<del>TRANSFORMER, -2000 OHMS N.L.A.</del> _____		
JB-41-25	TRANSFORMER, 2500 OHMS _____		
JB-41-7	TRANSFORMER, 7500 OHMS _____		
JB-42	TERMINAL STRIP _____		1.25
JB-43	SCREW, COVER _____ Pkg. 100 _____		4.50¢
JB-44-1	SCREW, POST, for 2" pipe _____		.10
JB-44-2	SCREW, POST, for 1 1/2" pipe _____		.12
JB-45	SCREW, TRANSFORMER _____ Pkg. 100 _____		3.25¢
JB-46	SCREW, TERMINAL STRIP _____ Pkg. 100 _____		4.00¢
JB-47	LIGHT RING (red, green, amber, or blue) _____		.90
JB-48	SOCKET ASS'Y _____		.85
JB-49	CLAMP, SOCKET _____		.15
JB-50-1	LAMP, 30V. _____		1.45
JB-50-2	LAMP, 110 V. _____		.75
JB-51	SPADE LUG, #14 Wire. Pkg. 100 _____		3.50¢
<del>JB-52</del>	<del>LIGHT KIT, Complete _____</del>		<del>N.L.A.</del>

The Koropp Junction Box case is heavy die cast aluminum which is treated to resist corrosion. High quality heavy duty transformers are used that are varnish impregnated and sealed to resist moisture. The Koropp Junction Box can be matched to any sound system, and to hang any speaker. It is the ideal unit to use in enlarging your present installation, or for replacement.

JUNCTION Box w/o LIGHT \_\_\_\_\_ ~~6.75~~  
 JUNCTION Box with LIGHT \_\_\_\_\_ ~~8.95~~  
 DEDUCT 1.00 w/o TRANSFORMER \_\_\_\_\_



GLENN E. KOROPP CO.

2539 TESLA WAY  
SACRAMENTO, CALIF. 95825

Junction Box & Speakers  
mounted on 2" pipe.

Packaged 18 per case.

• Manufacturer and Designer of Drive-In Theatre Speakers and Supplies •  
 — Catering To Every Need of The Drive-In Theatre Lot —