

FILM-TECH

THE INFORMATION CONTAINED IN THIS ADOBE ACROBAT PDF FILE IS PROVIDED AT YOUR OWN RISK AND GOOD JUDGMENT.

THESE MANUALS ARE DESIGNED TO FACILITATE THE EXCHANGE OF INFORMATION RELATED TO CINEMA PROJECTION AND FILM HANDLING, WITH NO WARRANTIES NOR OBLIGATIONS FROM THE AUTHORS, FOR QUALIFIED FIELD SERVICE ENGINEERS.

IF YOU ARE NOT A QUALIFIED TECHNICIAN, PLEASE MAKE NO ADJUSTMENTS TO ANYTHING YOU MAY READ ABOUT IN THESE ADOBE MANUAL DOWNLOADS.

WWW.FILM-TECH.COM

RTV-8900 Rewind and Inspection System Instructions

INSTALLATION AND OPERATING INSTRUCTIONS

Unpacking and Setting Up

The Kelmar RTV-8900 Rewind System is shipped in three cartons. The first contains the table top (1) and rear cross brace (17) The second contains the control module (4) , legs (9) , gussets (21), table assembly hardware, shafts and Optional accessories. The instruction manual, the power (5) and drag (2) heads, the auto shutoff arm (8) and the mounting hardware kit are in the third carton.

There are two separate hardware kits with the table. The first, which is in the leg carton, is for the assembly of the table and contains the following items:

- 4 Adjustable nylon faced glides (18)
- 8 3/8"-16 hex nuts (19)
- 8 1/4"-20 x 112" Phillips pan head (16- for "A" Table)*
- 16 1/4" flat washers
- 16 1/4"-20 x 5/18" hex head bolts (11)
- 16 1/4" split lock washers (12)
- 16 1/4"-20 hex nuts (13)
- 2 Adhesive backed wire guides
- 2 Ty wraps
- 2 Triangular gussets (21)
- 2 Square spacers (24)
- *8 1/4" x 1" lag bolts (Substitution for "B" Table)

The second hardware kit, which is in the power head carton, is for mounting the power and drag heads and the control module. It contains the following:

- 6 1/4"-20 x 2" hex head bolts (3)
- 1 1/4"20 x 3-1/2" hex head bolt (14)
- 4 #10 x 3/4" Phillips panhead sheet metal screws
- 7 1/4" flat washers
- 1 Allen Wrench kit

Carefully unpack and organize the contents of all three cartons.

Installation Instructions

Leg Assembly:

Each leg assembly consists of a front (9) and rear (9) leg, a lower separator (10), an upper saddle (15), a corner gusset (21) and a square spacer (24). The rear leg can be distinguished from the front leg by the two holes which have been provided for the mounting of the cross brace (17). The upper saddle (15) is mounted between the legs with a single bolt (20) at each end for shipping purposes. Remove these bolts and fasten the saddle across the top of the legs, utilizing the corner gusset (21), and 1/4"-20 x 5/8" hex head bolt, lock washer and nut, as shown in detail drawing A.

Assemble both the left and right leg units using 1/4-20 x 5/8" bolts, lock washers and nuts. It is suggested that the head of the bolt be secured while tightening the nut to preserve the paint finish.

Table Assembly:

Place the table top upside-down on its shipping container with the through holes for mounting the power heads towards the front.

Both leg sets are identical and are secured to the table top with four 1/4-20 x 1/2" pan head screws (16) and flat washers. Before final tightening of the screws, install the back brace (17) using 1/4-20 x 5/8" hex head bolts (11), split lock washers (12) and nuts (13) - Square up the legs and fasten securely.

Install the four nylon glides (18), placing a 3/8"—16 hex nut (19) on either side of the flange of the leg unit. These glides should be adjusted and locked when the table is in its final position.

Fasten the motor control module (4) to the table top using the four #10 x 3/4" pan head machine screws.

Turn the table over, set in position, level the glides and lock them securely.

Power and Drag Head Assemblies:

Both the power and drag heads are mounted to the table top using three 1/4-20 x 2" bolts (3) and washers. One 1/4-20 x 3-1/2" hex head bolt (14) secures the fourth corner of the power head.

Note: The procedures covered so far relate to the RTV-8900 system, which incorporates one power head and one drag head.

The RTV-8900-2 system shown in detail C, which consists of two power heads, has an additional package of mounting hardware for securing that second head following the above procedures.

The gray vinyl wire from the power head provides the auto shutoff logic. It should be plugged into the back of the speed control module at this point. For the RTV-8900 system, plug the remaining cord from the power head, which is for the drive motor, into the back of the control module.

The RTV-8900-2 system, which incorporates two power heads, requires the mounting of the small electrical transfer box next to the control module. It plugs into the power module and, in turn, feeds both the right and left power head drive motors.

Apply the two paste-on Ty wrap anchors to the underside of the table and secure the motor and control wires neatly.

Remove the cover of the power head prior to installing the automatic shutoff arm (8) . Remove the nylon washer from the shutoff cam shaft. Do not discard the flat head screw (7) . Hold the cam assembly with one hand and install the shutoff arm without disturbing the relationship of the cam and micro switches.

After locating the table in its operating position, balance the four leveling pads. For optimum stability, it is suggested that the table be secured either to the floor or to the rear wall through the use of an angle bracket.

Brush Inspection Procedure

Brush wear is a normal component of DC motor operation. It is recommended that the brushes in the DC drive motor be inspected at least every sixty days. They should be replaced when their overall length is 5/16" or less. Continued operation beyond this point can result in damage to the armature.

Caution should be observed when removing a brush to replace it without rotation. Replacement motor brushes are available from Kelmar Systems Inc.

Shaft Maintenance Tips

Tolerances between the removable reel shafts and their associated drive spindles are close. Under extended service, it is possible for the shaft to bind in the spindle. It is suggested that shafts be removed and wiped with a lightly oiled cloth at least once a week to ensure long trouble free service.

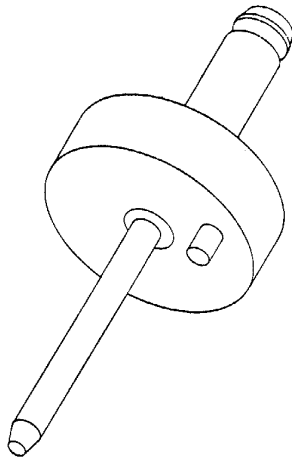
RTV-8900 REWIND PARTS LIST

<u>PART NO.</u>	<u>DESCRIPTION</u>
7645151	Power Side Assembly
7525152	Dead Side Assembly
8225154	Module, Speed Control, Complete
7625055	Cable, Motor Control to Power Head
7525160-1	Shaft, 1/2" w/Drive Pin (Blue)
7525160-2	Shaft, 5/16" w/Drive Pin (Red)
7645160-3-1	Shaft, 1/2" w/Finger Hole Drive
7645160-3-2	Shaft, 5/16" w/Finger Hole Drive
7635160-4	Shaft, 5/16" w/Drive Key (Black)
7635160-7	Shaft, 5/16" w/Extended Drive Key
7525160-5	Shaft, 70mm w/Drive Pin
7525160-6	Shaft, 16mm
7525160-9	Shaft, 9mm (Green)
7525193	Shaft, Roller, Auto Shutoff, 35mm

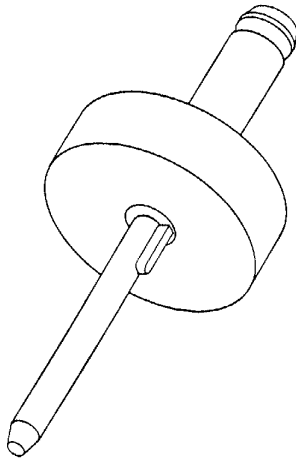
Other Options:

7305227	Mounting Bracket, Film Measuring Machine
7525220	Trailer Flange
9204030	16" Film Transfer Flange
7713030	Handle

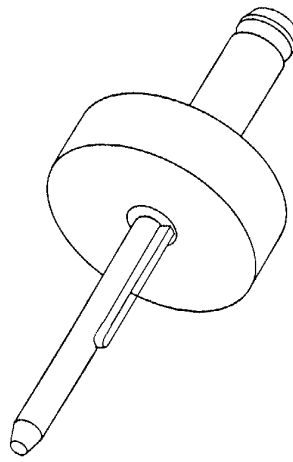
RTV-8900 Spindles



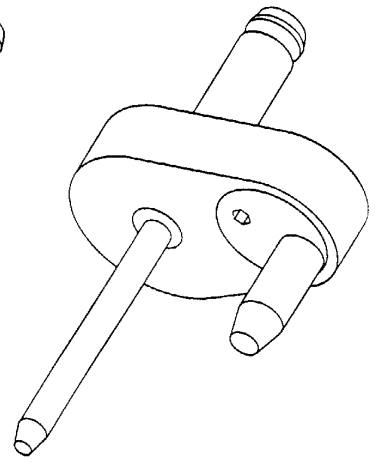
7525160-2
5/16" Drive Pin



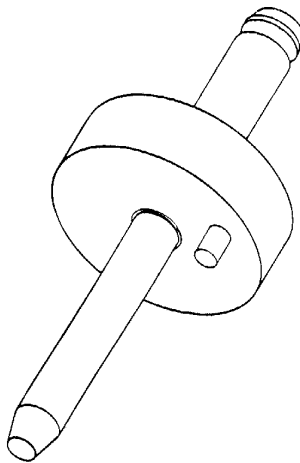
7635160-4
5/16" Drive Key



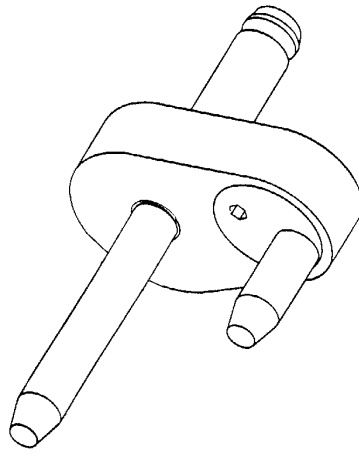
7635160-7
5/16" Ext. Drive Key



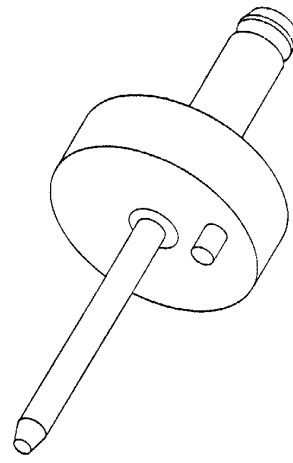
7645160-3-2
5/16" Finger Hole Drive



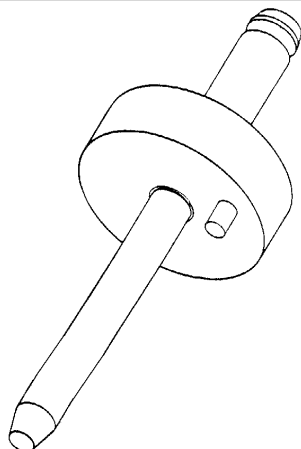
7525160-1
1/2" Drive Pin



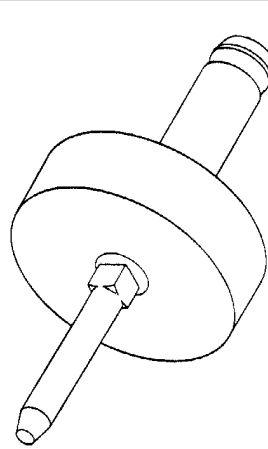
7645160-3-1
1/2" Finger Hole Drive



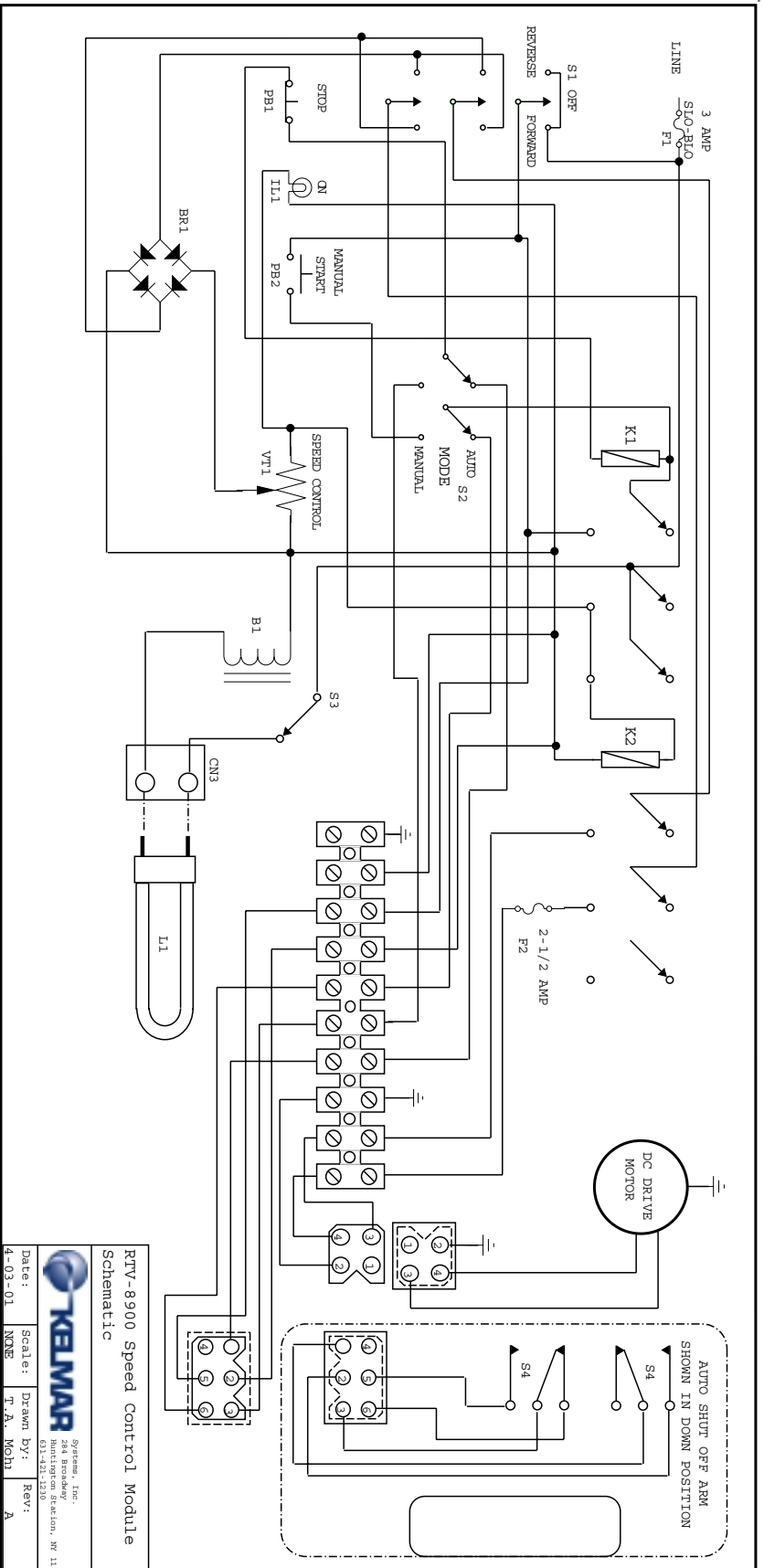
7525160-9
9 mm For Europe



7525160-5
70mm Dive Key



7525160-6
16mm



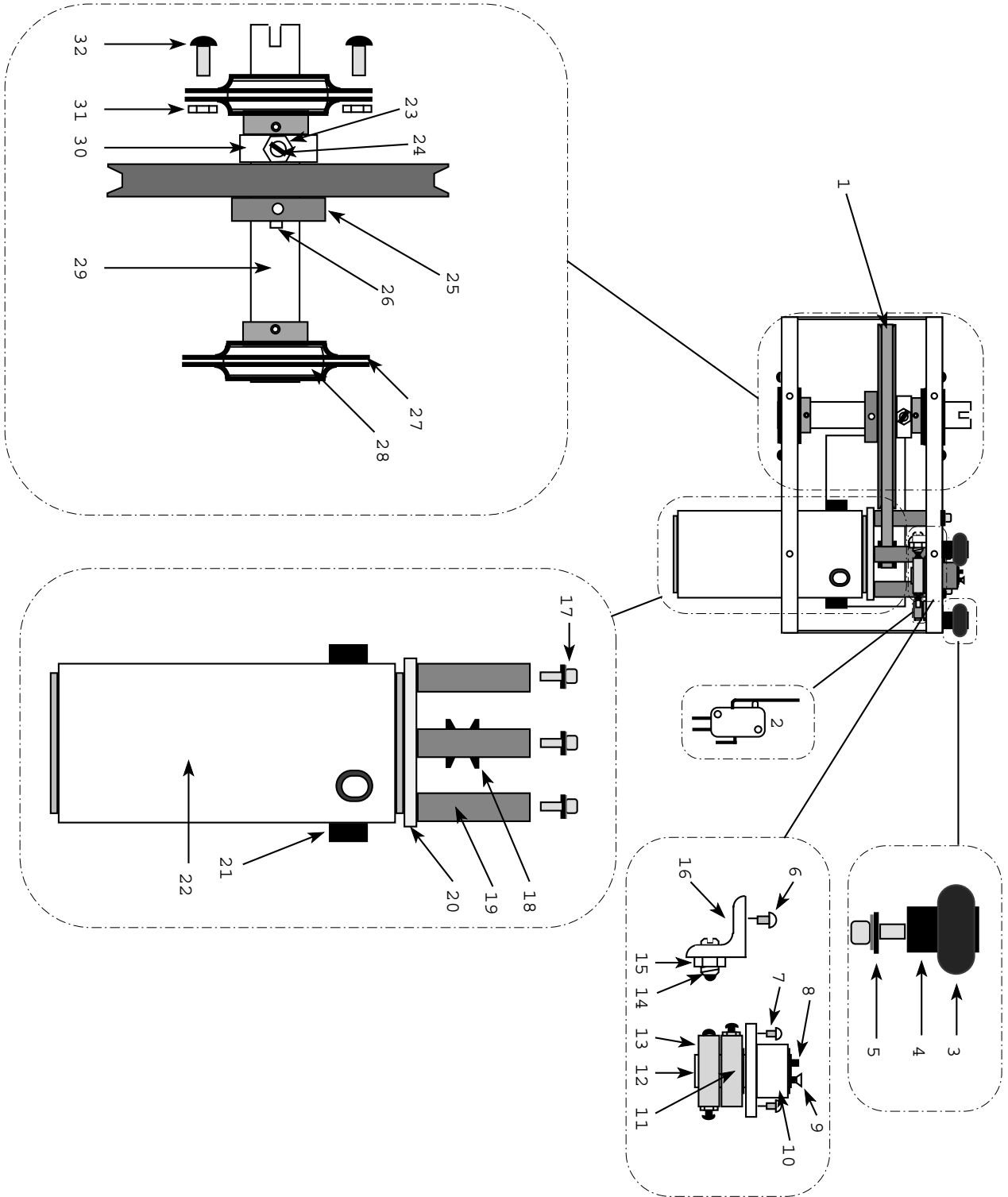
ID #	Part#	Description
F1	FSB-3	Fuse, 3 Amp Slo-Blo
F2	FS-2.5	Fuse, 2.5 Amp Quick Blo
K1-K2	RY3-120	Relay, 3PDT, 120 VAC Coil
VT-1	XF-21	Variable Transformer
BR1	RB3506	Bridge Rectifier
B1	RTVBALLAST	Ballast, Inspection Lamp
IL1	IL851	Lamp, Power Indicator
L1	S9W/41	Lamp, Inspection

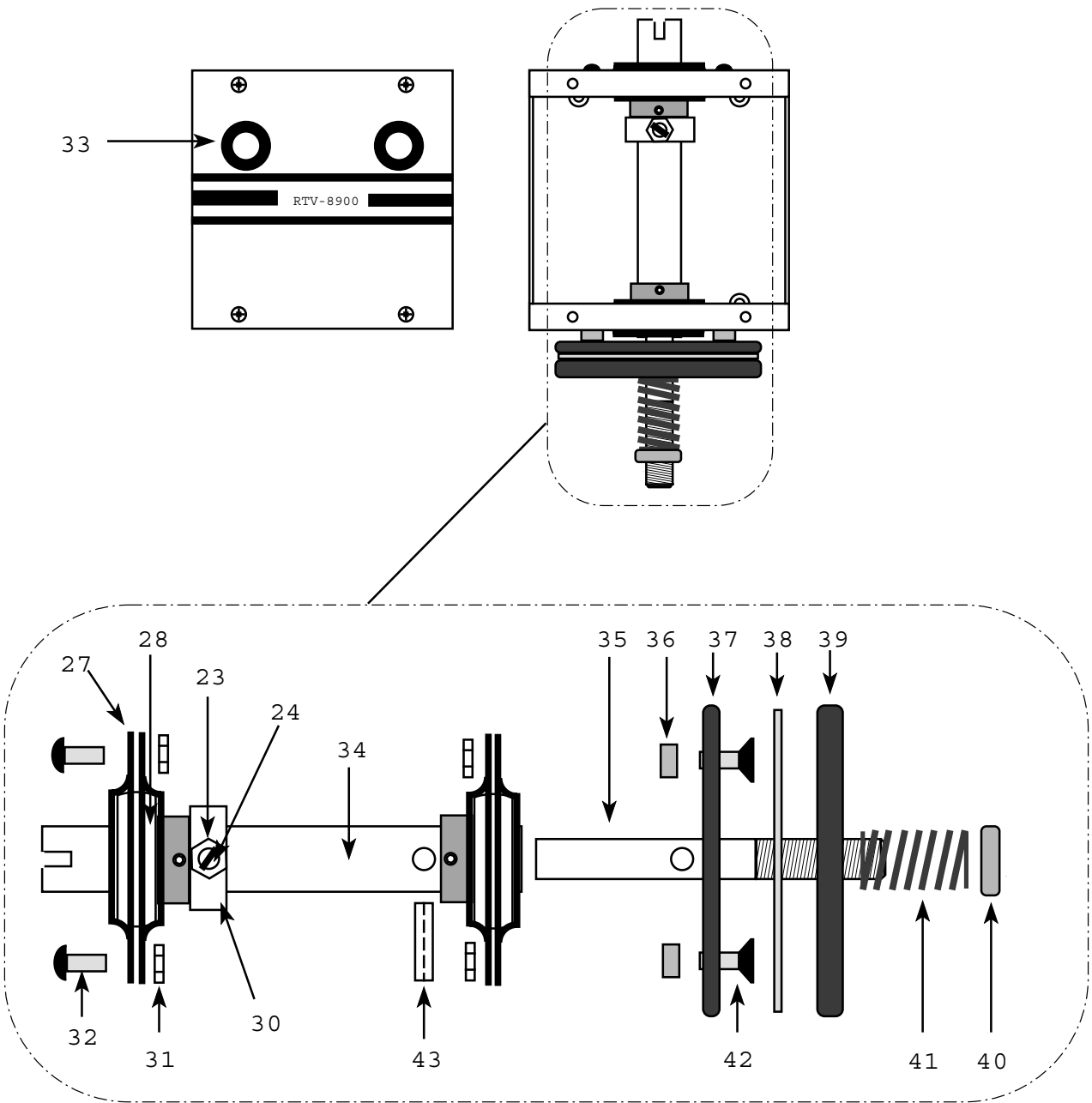
ID #	Part#	Description
S1	SWT3D	Switch, Direction, 3PDTCO
S2	SWT2D	Switch, Mode, DPDT
S3	SWT1S	Switch, Light, SPST
S4	SWRTV	Switch, Micro, Auto Shut-off
PB1	SWBRTVR	Switch, Stop, Red, N.C.
PB2	SWBRTVY	Switch, Start, Yellow, N.O.

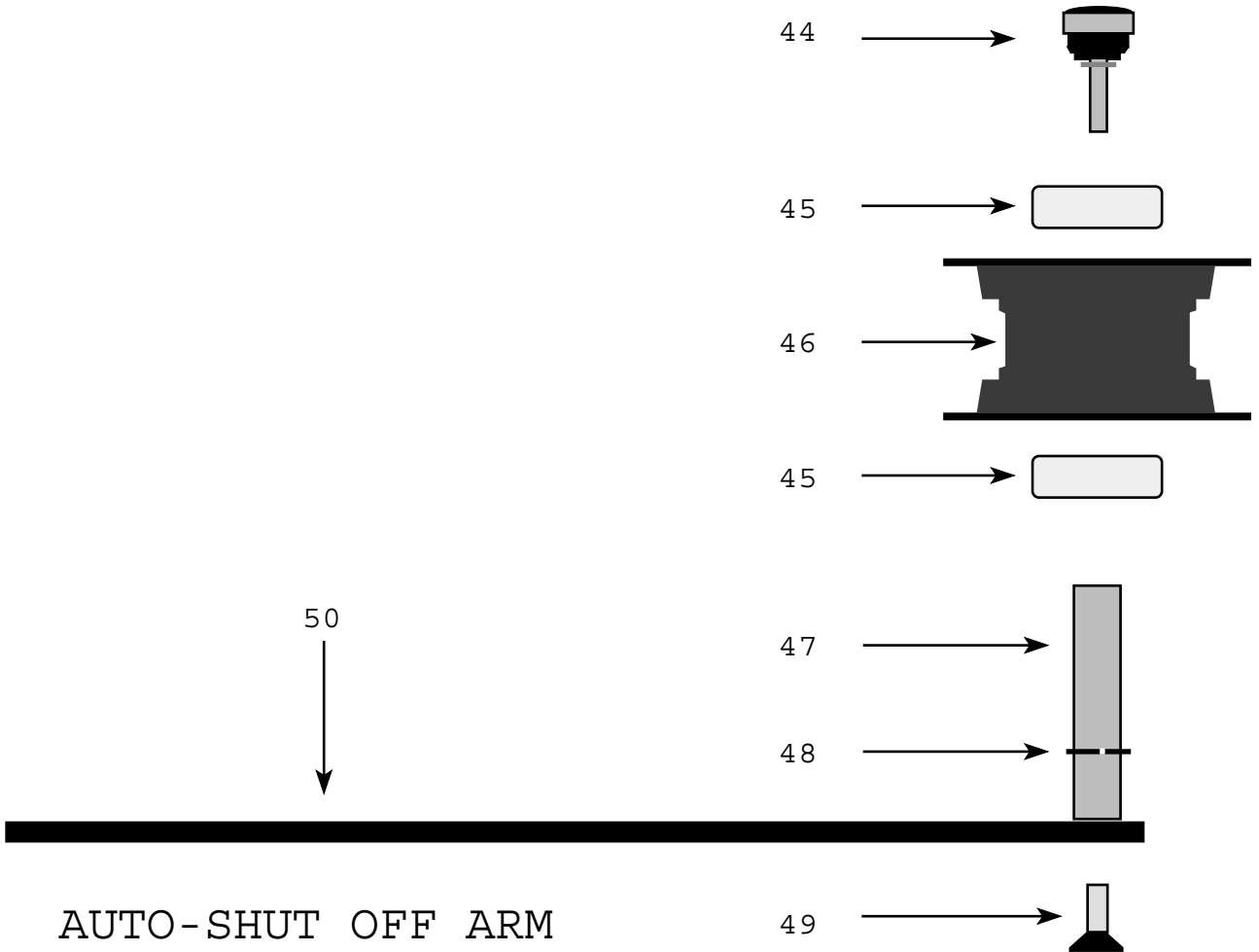
RTV-8900 Speed Control Module Schematic

System, Inc.
288 Broadway
Paterson, NJ 11
613-431-1230

Date: 4-03-01
Scale: NONE
Drawn by: T. A. Mohr
Rev: A







DWG.#	PART #	DESCRIPTION
1	7645213	Belt, Motor to Main Shaft (3L260)
2	V3L-104-D8	Micro Switch
3	7415208	Bumper, Rubber
4	7525194	Stud, Stop, Auto Shutoff
5	720455	Screw
6	720352	Screw
7	720352	Screw
8	720408	Pin
9	720346	Screw
10	7525189	Flange, Mounting, Auto Shutoff
11	7415195	Cam, Start, Auto Shutoff
12	7525190	Shaft, Auto Shutoff
13	7415192	Cam, Intermediate Rest and Stop, Auto Shutoff
14	7525183	Detent, Ball
15	720364	Nut, Jam
16	7645207	Bracket, Intermediate Rest, Auto Shutoff
17	720417	Screw
18	7645165	Pulley, Motor, Power Side
19	7645177	Standoff, Motor Mounting
20	7645175	Ring, Motor Mounting
21	13434-16	Brushes for Motor
22	34287-11-270	Motor, D.C., Motronics
23	720364	Nut, Jam
24	7525183	Detent, Ball
25	7645163	Pulley, Main Shaft, Power Side
26	7415181	Key, Square, Main Shaft
27	7415179-2	Flange, Bearing, Main Shaft
28	7415179-1	Bearing, Main Shaft
29	7525167	Shaft, Main, Power Side
30	7415169	Collar, Ball Detent
31	720405	Nut, Locking (Kep)
32	720413	Screw
33	7525184	Bushing, Shaft Storing
34	7525168	Shaft, Main, Dead Side
35	7415170	Extension, Shaft, Dead Side
36	7415166	Spacer, Clutch Plate to Frame, Dead Side
37	7415164	Plate, Clutch, Dead Side

DWG.#	PART #	DESCRIPTION
38	720324	Disk, Felt Clutch
39	7415174	Plate, Pressure, Clutch, Dead Side
40	720329	Nut, Spindle, Dead Side (knurled)
41	720351	Spring, Clutch Pressure
42	720468	Screw
43	720400	Pin
44	7508265	Knob, Auto Shutoff
45	A6-1086	Bearing
46	7402078	Roller, Auto Shutoff, 35mm W/#45 Bearings
	7402079	Roller, Auto Shutoff, 70mm W/#45 Bearings
47	7525193	Shaft, Roller, Auto Shutoff, 35mm
	7525197	Shaft, 70mm Roller, Auto Shutoff W/ Spacer
48	720350	Ring, Retaing
49	720346	Screw
50	7415191-1	Arm, Roller, Auto Shutoff (for 24-1/2" Reel)
	7415191-2	Arm, Roller, Auto Shutoff (for 27" Reel)
	7415191-3	Arm, Roller, Auto Shutoff (for 36" Reel)
	7415191-4	Arm, Roller, Auto Shutoff (for 40" Reel)
	7415191-2+1	Arm, Roller, Auto Shutoff (for 30" Reel)