

FILM-TECH

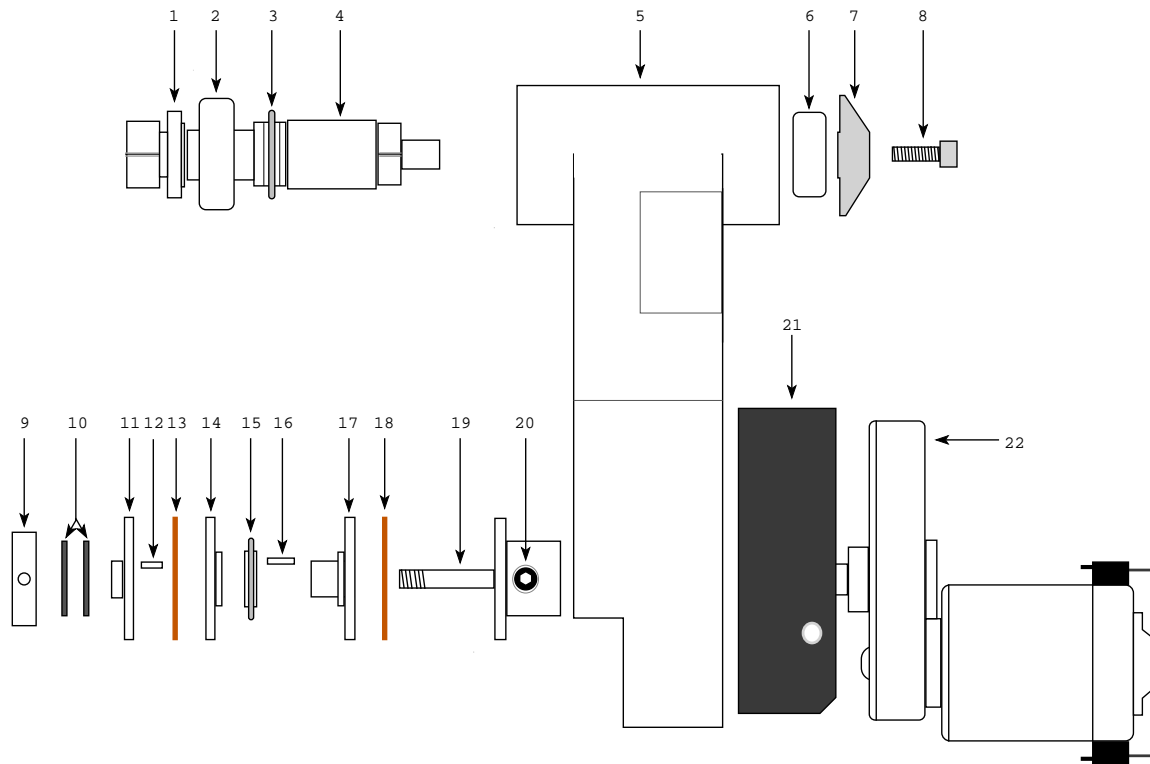
THE INFORMATION CONTAINED IN THIS ADOBE ACROBAT PDF FILE IS PROVIDED AT YOUR OWN RISK AND GOOD JUDGMENT.

THESE MANUALS ARE DESIGNED TO FACILITATE THE EXCHANGE OF INFORMATION RELATED TO CINEMA PROJECTION AND FILM HANDLING, WITH NO WARRANTIES NOR OBLIGATIONS FROM THE AUTHORS, FOR QUALIFIED FIELD SERVICE ENGINEERS.

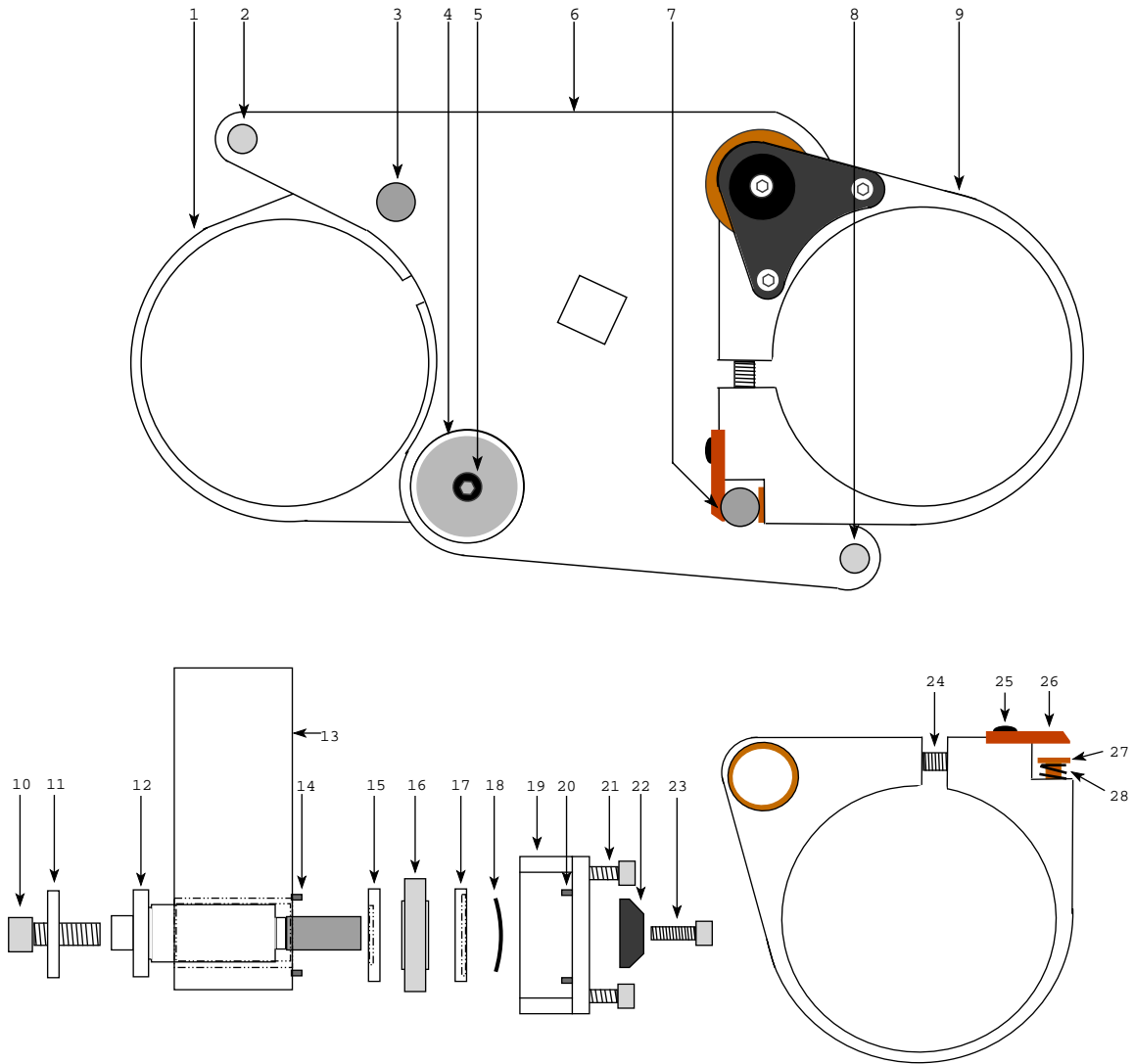
IF YOU ARE NOT A QUALIFIED TECHNICIAN, PLEASE MAKE NO ADJUSTMENTS TO ANYTHING YOU MAY READ ABOUT IN THESE ADOBE MANUAL DOWNLOADS.

WWW.FILM-TECH.COM

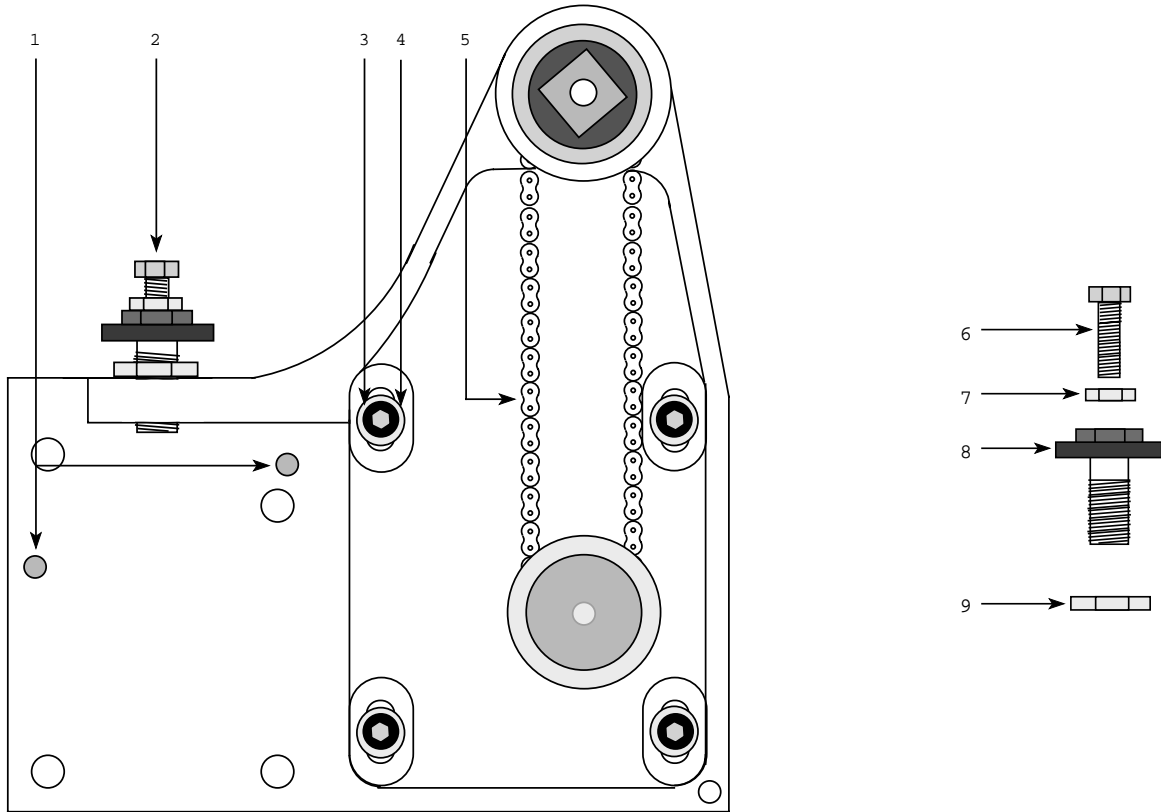
Universal Turret Parts List



| Item # | Part# | Description |
|---------------|--------------|-----------------------------|
| 1 | 8907127 | Main Shaft |
| 2 | BR8ZZLG | Ball Bearing (light grease) |
| 3 | 8907126 | Sprocket |
| 4 | 8907129 | Spacer |
| 5 | 8907121 | Main Housing |
| 6 | BR6ZZLG | Ball Bearing (light grease) |
| 7 | 8907125 | End Cap |
| 8 | SHCS10x.375 | 10-32x.375 Socket Cap Screw |
| 9 | 8907146 | Loading Nut |
| 10 | BSW | Belleville Spring Washer |
| 11 | 8907145 | Pressure Plate |
| 12 | 8907149 | Key, Pressure Plate |
| 13 | 8907144 | Clutch Disc |
| 14 | 8907143 | Carrier Pressure Plate |
| 15 | 8907147 | Sprocket |
| 16 | 8907148 | Key, Sprocket |
| 17 | 8907142 | Sprocket Carrier |
| 18 | 8907144 | Clutch Disc |
| 19 | 8907141 | Main Shaft |
| 20 | SHCS10x.375 | 10-32x.375 Socket Cap Screw |
| 21 | 8812 | Motor Cover Base |
| 22 | 3913 | Drive Motor (24vdc) |



| Item # | Part# | Description | Item # | Part# | Description |
|---------------|--------------|-------------------------|---------------|---------------|-----------------------------|
| 1 | 8907104-1 | Flat Lens Holder Assy. | 15 | 8907119 | Focus Washer (rear) |
| 2 | DP.25x1.25 | Flat Index Pin | 16 | 8907116 | Focus Nut |
| 3 | DP.375x1.5 | Focus Shaft Pin | 17 | 8907108 | Focus Washer (front) |
| 4 | 8907114 | Leadscrew Washer | 18 | SWFL | Spring Washer |
| 5 | SHCS1/4x.625 | 1/4-20x.625" Cap Screw | 19 | 8907117-1 | Focus Bracket |
| 6 | 890711 | Action Plate | 20 | DP.0625x.25 | Pin |
| 7 | DP.375x1.5 | Focus Shaft Pin | 21 | SHCS8-32x.75 | 8-32x.750" Cap Screw |
| 8 | DP.25x.875 | Scope Index Pin | 22 | 8907138 | End Cap |
| 9 | 8907104-2 | Scope Lens Holder Assy. | 23 | SHCS8-32x.375 | 8-32x.375" Cap Screw |
| 10 | SHCS1/4x.625 | 1/4-20x.625" Cap Screw | 24 | SHCS10.32x.75 | 10-32x.750" Cap Screw |
| 11 | 8907114 | Leadscrew Washer | 25 | BHCS6X.25 | 6-32x.312 Button Head Screw |
| 12 | 8907112-1 | Focus Shaft | 26 | 8907110 | Antirotational Plate |
| 13 | 8907113-1 | Flat Lens Holder Only | 27 | 8907109 | Pressure Pad |
| | 8907113-2 | Scope Lens Holder Only | 28 | SG026D01M | Pressure Spring |
| 14 | DP.0625x.25 | Pin | | | |



| Item # | Part# | Description |
|---------------|--------------|-----------------------------|
| 1 | DP.187x.5 | Index Pin |
| 2 | | Coaxial Stop Assembly |
| 3 | WA10 | #10 Flat Washer |
| | WAL10 | #10 Split Lock Washer |
| 4 | SHCS10x.750 | 10-32x.750 Socket Cap Screw |
| 5 | 8907131 | Drive Chain |
| 6 | 8907124 | Scope Lens Stop |
| 7 | HN10-32 | 10-32 Hex Nut |
| 8 | 8907123 | Flat Lens Stop |
| 9 | HN.375-32 | 3/8-32 Hex Nut |