

FILM-TECH

THE INFORMATION CONTAINED IN THIS ADOBE ACROBAT PDF FILE IS PROVIDED AT YOUR OWN RISK AND GOOD JUDGMENT.

THESE MANUALS ARE DESIGNED TO FACILITATE THE EXCHANGE OF INFORMATION RELATED TO CINEMA PROJECTION AND FILM HANDLING, WITH NO WARRANTIES NOR OBLIGATIONS FROM THE AUTHORS, FOR QUALIFIED FIELD SERVICE ENGINEERS.

IF YOU ARE NOT A QUALIFIED TECHNICIAN, PLEASE MAKE NO ADJUSTMENTS TO ANYTHING YOU MAY READ ABOUT IN THESE ADOBE MANUAL DOWNLOADS.

WWW.FILM-TECH.COM



UDH-2-3507/3H 3-7 Digital Cue Detector Instructions

7940 Cue Decoder Interface Board

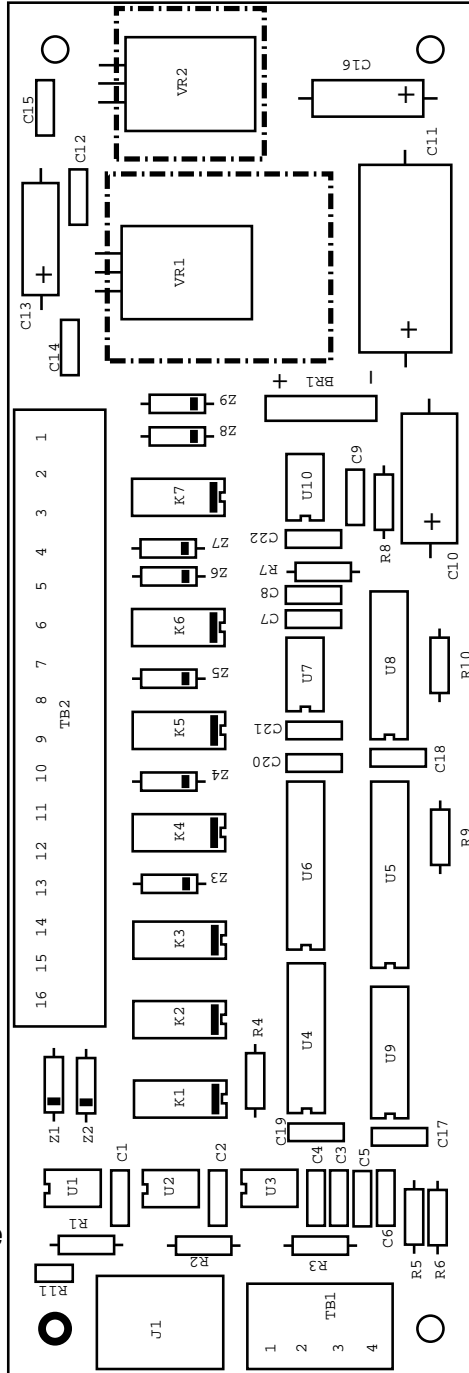
TB-2 Cue Outputs and Operating Voltage Input

- 1 12-24 VAC / VDC +
- 2 12-24 VAC / VDC -
- 3 CUE #7 Relay Input
- 4 CUE #7 Relay Output
- 5 CUE #6 Relay Input
- 6 CUE #6 Relay Output
- 7 CUE #5 Relay Input
- 8 CUE #5 Relay Output
- 9 CUE #4 Relay Input
- 10 CUE #4 Relay Output
- 11 CUE #3 Relay Input
- 12 CUE #3 Relay Output
- 13 CUE #2 Relay Input
- 14 CUE #2 Relay Output
- 15 CUE #1 Relay Input
- 16 CUE #1 Relay Output

INSTALLATION NOTES:

1: When using a feed of 24 VDC. THE INCOMING VOLTAGE MUST NOT EXCEED 24 VDC !!!

2: Relay and Failsafe connections are for Low Voltage Only, DO NOT CONNECT LINE LEVEL LOADS TO THESE OUTPUTS!!!



**J-1
Cue Detector
Failsafe
Interface**

**TB-1
Host Automation
Failsafe Circuit
Interface**

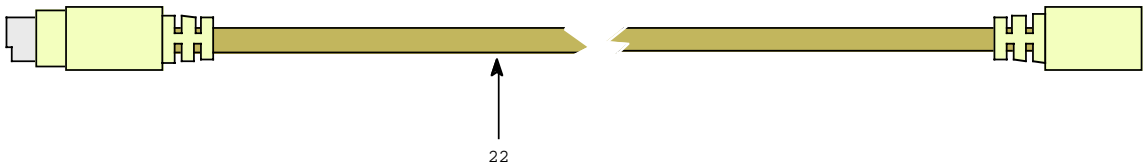
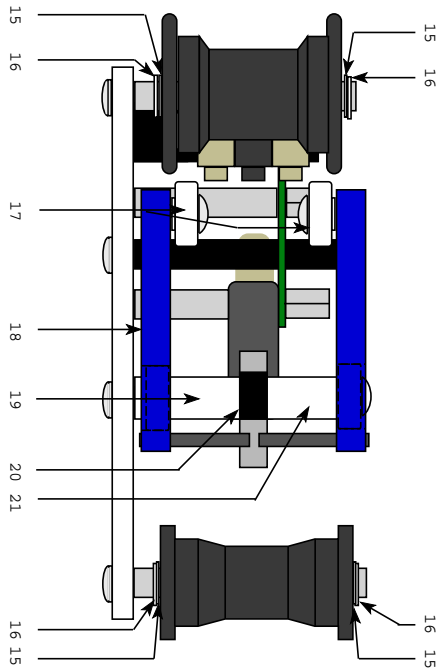
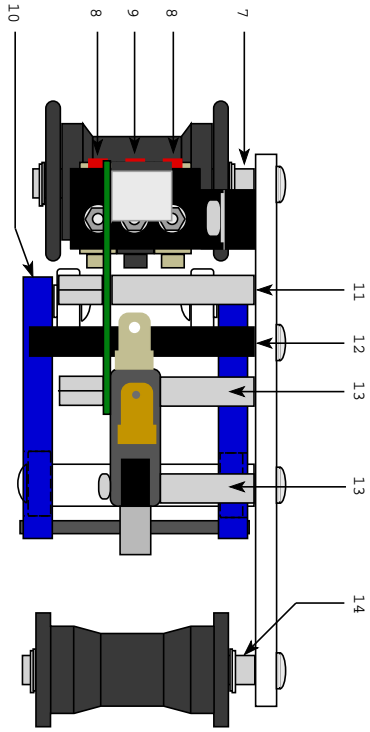
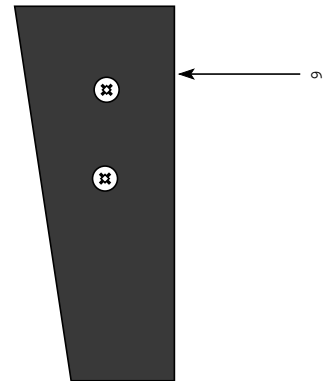
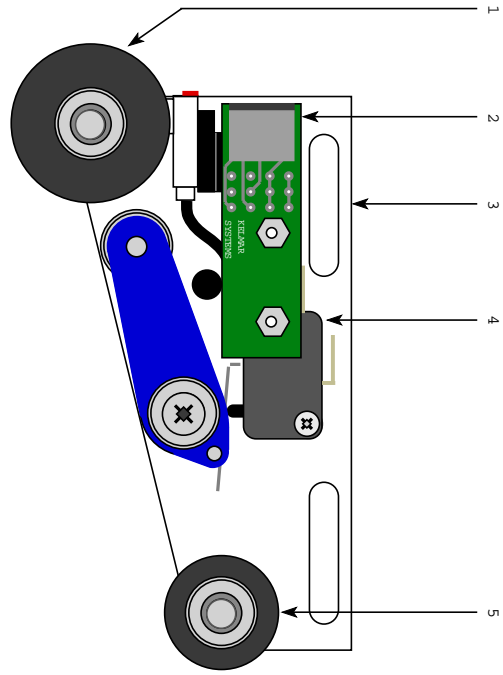
- 1 Failsafe Common
- 2 Failsafe N.O. Output
- 3 Failsafe N.C. Output
- 4 NO CONNECTION

CUE PLACEMENT TRUTH TABLE

| CUE # | OUTBOARD PROX.#3 | MIDDLE PROX.#2 | INBOARD PROX.#1 | FUNCTION |
|-------|------------------|----------------|-----------------|------------------------|
| 1 | | | XX | Single Function Cue #1 |
| 2 | | XX | | Single Function Cue #2 |
| 3 | | XX | XX | Single Function Cue #3 |
| 4 | XX | | | Single Function Cue #4 |
| 5 | XX | | XX | Single Function Cue #5 |
| 6 | XX | XX | | Single Function Cue #6 |
| 7 | XX | XX | XX | Single Function Cue #7 |

BELOW IS JUST A EXAMPLE OF A CUE SCHEDULE FOR A THEATER WITH A 3 CUE AUTOMATION SYSTEM.

| CUE # | OUTBOARD PROX.#3 | MIDDLE PROX.#2 | INBOARD PROX.#1 | FUNCTION |
|-------|------------------|----------------|-----------------|------------------------|
| 1 | | | XX | Inboard Cue Functions |
| 2 | | XX | | User Assignable |
| 3 | | XX | XX | User Assignable |
| 4 | XX | | | Outboard Cue Functions |
| 5 | XX | | XX | User Assignable |
| 6 | XX | XX | | User Assignable |
| 7 | XX | XX | XX | Cross Cue Functions |



| Ref.# | Part# | Description |
|--------------|--------------|---|
| 1 | 720336 | Exit Roller (w/Bearings) |
| 2 | 7933 | Interface Board w/Connector |
| 3 | | Main Chassis Plate |
| 4 | SWCD | Failsafe Micro Switch (V3I-2102-D8) |
| 5 | UDH-2-2345 | Entrance Roller (w/Bearings) |
| 6 | DT9661 | Cover |
| 7 | UDH-1-119 | Exit Roller Shaft |
| 8 | SWIPS8F | Cue Sensor |
| 9 | SWIPS8FI | Cue Sensor |
| 10 | UDH-1-102-2 | Failsafe Arm c/w Bearings & Stop Pin (Outboard) |
| 11 | ST4RA1.25 | Standoff 4-40 x 1.25" |
| 12 | UDH-1-109 | Failsafe Upper Limit Stop |
| 13 | UDH-1-108 | Standoff Failsafe Switch |
| 14 | UDH-1-119 | Entrance Roller Shaft |
| 15 | WAPS | Shim Washer |
| 16 | SR-25 | Retaining Ring 1/4" |
| 17 | BR4ZZ | Failsafe Arm Bearing |
| 18 | UDH-1-102-1 | Failsafe Arm c/w Bearings & Stop Pin (Inboard) |
| 19 | UDH-1-106-2 | Failsafe Arm Spacer |
| 20 | UDH-1-111 | Failsafe Arm Lower Limit Stop |
| 21 | UDH-1-106-2 | Failsafe Arm Spacer |
| 22 | CA8DINCC | Interface Cable Assembly (10 ' Long M to M 8 Pin DIN) |

