

# FILM-TECH

**THE INFORMATION CONTAINED IN THIS ADOBE ACROBAT PDF FILE IS PROVIDED AT YOUR OWN RISK AND GOOD JUDGMENT.**

**THESE MANUALS ARE DESIGNED TO FACILITATE THE EXCHANGE OF INFORMATION RELATED TO CINEMA PROJECTION AND FILM HANDLING, WITH NO WARRANTIES NOR OBLIGATIONS FROM THE AUTHORS, FOR QUALIFIED FIELD SERVICE ENGINEERS.**

**IF YOU ARE NOT A QUALIFIED TECHNICIAN, PLEASE MAKE NO ADJUSTMENTS TO ANYTHING YOU MAY READ ABOUT IN THESE ADOBE MANUAL DOWNLOADS.**

**[WWW.FILM-TECH.COM](http://WWW.FILM-TECH.COM)**



**UDH-2-3503/2H 2-3 Digital Cue Detector Instructions**

# 7940 Cue Decoder Interface Board

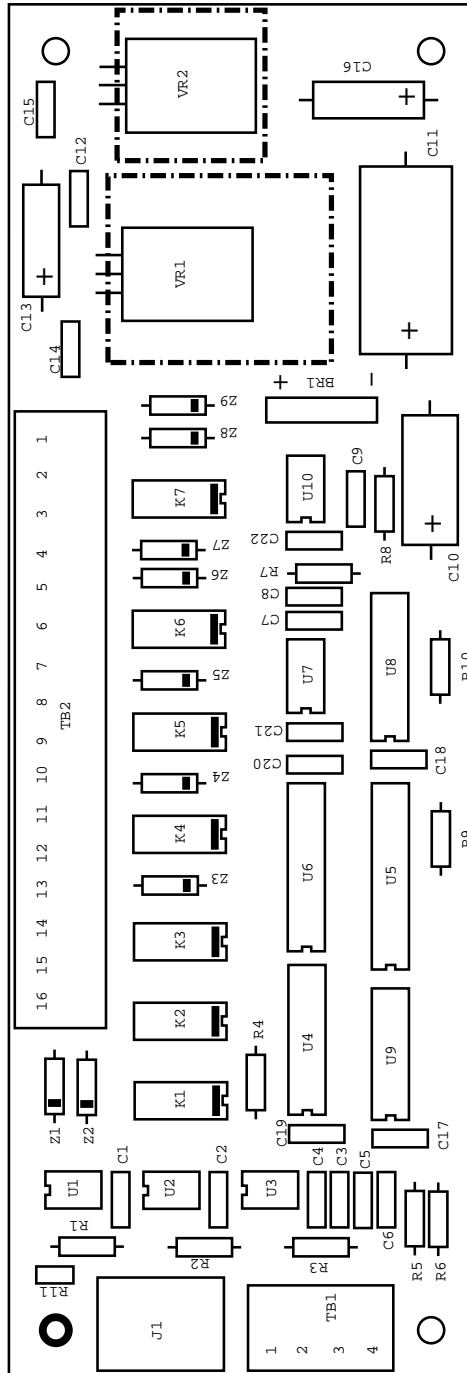
## TB-2 Cue Outputs and Operating Voltage Input

- |    |                     |          |
|----|---------------------|----------|
| 1  | 12-24 VAC / VDC +   |          |
| 2  | 12-24 VAC / VDC -   |          |
| 3  | CUE #7 Relay Input  | NOT USED |
| 4  | CUE #7 Relay Output |          |
| 5  | CUE #6 Relay Input  | NOT USED |
| 6  | CUE #6 Relay Output |          |
| 7  | CUE #5 Relay Input  |          |
| 8  | CUE #5 Relay Output |          |
| 9  | CUE #4 Relay Input  |          |
| 10 | CUE #4 Relay Output |          |
| 11 | CUE #3 Relay Input  | NOT USED |
| 12 | CUE #3 Relay Output |          |
| 13 | CUE #2 Relay Input  | NOT USED |
| 14 | CUE #2 Relay Output |          |
| 15 | CUE #1 Relay Input  |          |
| 16 | CUE #1 Relay Output |          |

### INSTALLATION NOTES:

**1: When using a feed of 24 VDC. THE INCOMING VOLTAGE MUST NOT EXCEED 24 VDC !!!**

**2: Relay and Failsafe connections are for Low Voltage Only, DO NOT CONNECT LINE LEVEL LOADS TO THESE OUTPUTS!!!**

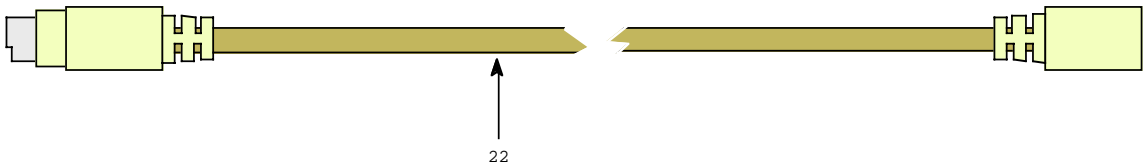
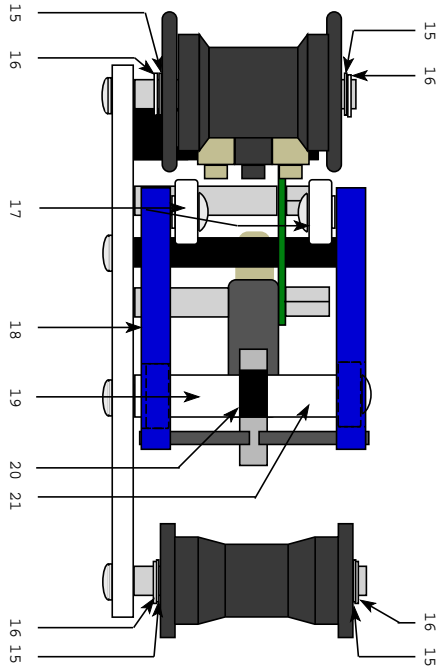
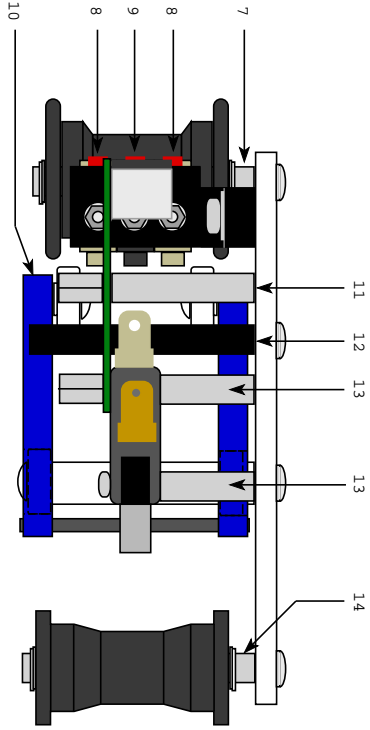
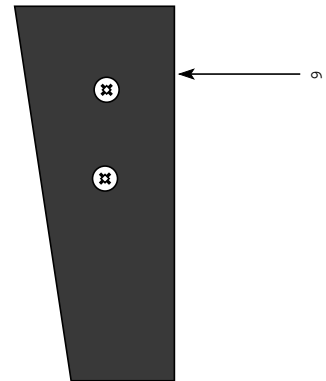
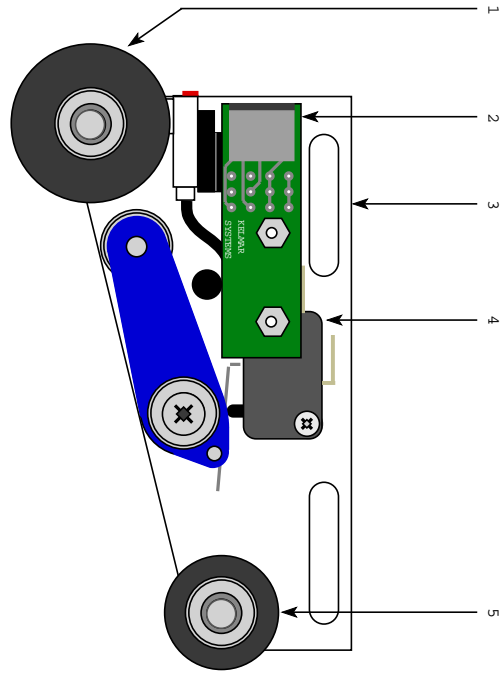


**J-1  
Cue Detector  
Failsafe  
Interface**

**TB-1  
Host Automation  
Failsafe Circuit  
Interface**

- 1 Failsafe Common
- 2 Failsafe N.O. Output
- 3 Failsafe N.C. Output
- 4 NO CONNECTION





<b>Ref.#</b>	<b>Part#</b>	<b>Description</b>
1	720336	Exit Roller (w/Bearings)
2	7933	Interface Board w/Connector
3		Main Chassis Plate
4	SWCD	Failsafe Micro Switch (V3I-2102-D8)
5	UDH-2-2345	Entrance Roller (w/Bearings)
6	DT9661	Cover
7	UDH-1-119	Exit Roller Shaft
8	SWIPS8F	Cue Sensor
9	SWIPS8FI	Cue Sensor
10	UDH-1-102-2	Failsafe Arm c/w Bearings & Stop Pin (Outboard)
11	ST4RA1.25	Standoff 4-40 x 1.25"
12	UDH-1-109	Failsafe Upper Limit Stop
13	UDH-1-108	Standoff Failsafe Switch
14	UDH-1-119	Entrance Roller Shaft
15	WAPS	Shim Washer
16	SR-25	Retaining Ring 1/4"
17	BR4ZZ	Failsafe Arm Bearing
18	UDH-1-102-1	Failsafe Arm c/w Bearings & Stop Pin (Inboard)
19	UDH-1-106-2	Failsafe Arm Spacer
20	UDH-1-111	Failsafe Arm Lower Limit Stop
21	UDH-1-106-2	Failsafe Arm Spacer
22	CA8DINCC	Interface Cable Assembly (10 ' Long M to M 8 Pin DIN)