

# FILM-TECH

**THE INFORMATION CONTAINED IN THIS ADOBE ACROBAT PDF FILE IS PROVIDED AT YOUR OWN RISK AND GOOD JUDGMENT.**

**THESE MANUALS ARE DESIGNED TO FACILITATE THE EXCHANGE OF INFORMATION RELATED TO CINEMA PROJECTION AND FILM HANDLING, WITH NO WARRANTIES NOR OBLIGATIONS FROM THE AUTHORS, FOR QUALIFIED FIELD SERVICE ENGINEERS.**

**IF YOU ARE NOT A QUALIFIED TECHNICIAN, PLEASE MAKE NO ADJUSTMENTS TO ANYTHING YOU MAY READ ABOUT IN THESE ADOBE MANUAL DOWNLOADS.**

**[WWW.FILM-TECH.COM](http://WWW.FILM-TECH.COM)**

**UDH-2-2335/2H 2-3 Digital Cue Detector Instructions**

TERMINATION SCHEDULE FOR 7910 CUE DECODER BOARD

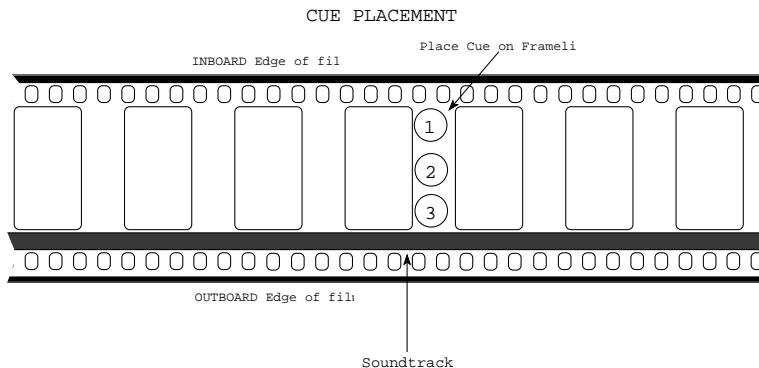
Terminal Block	Terminal Number	Function	Interface cable Wire Color
TB-1	1	+ 12V.DC Output	GREEN
TB-1	2	#1 Prox.Input	GRAY
TB-1	3	#3 Prox.Input	BROWN
TB-1	4	-12V.DC Output	BLUE + DRAIN WIRE
		Failsafe Common	WHITE
		Failsafe N.O. Output	RED
		Failsafe N.C. Output	BLACK

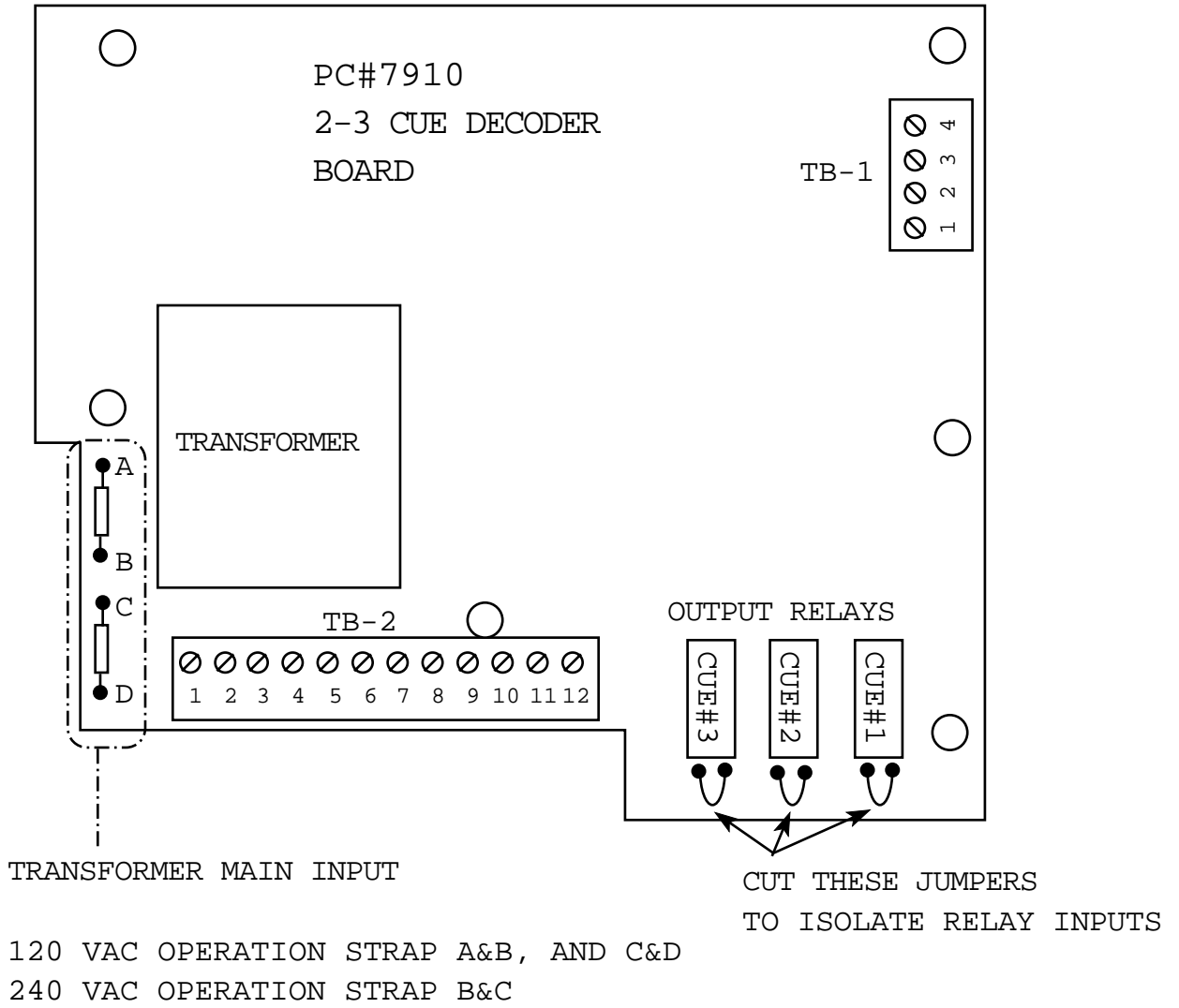
**FAILSAFE Connections are made directly to host automation**

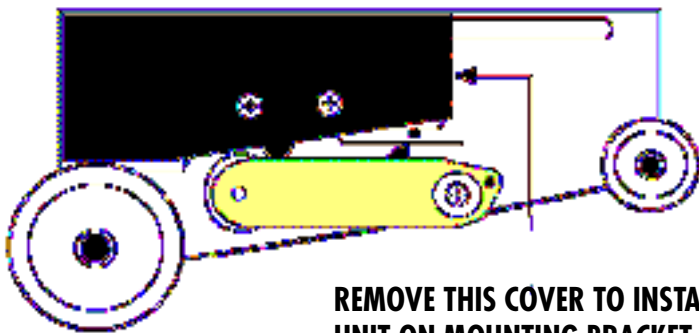
TB-2	1	Chassis Ground
TB-2	2	NO CONNECTION
TB-2	3	120V AC Line Neutral
TB-2	4	NO CONNECTION
TB-2	5	120V AC Line Feed
TB-2	6	NO CONNECTION
TB-2	7	CUE #3 Relay Output
TB-2	8	CUE #3 Relay Input
TB-2	9	CUE #2 Relay Output
TB-2	10	CUE #2 Relay Input
TB-2	11	CUE #1 Relay Output
TB-2	12	CUE #1 Relay Input

**CUE PLACEMENT TRUTH TABLE**

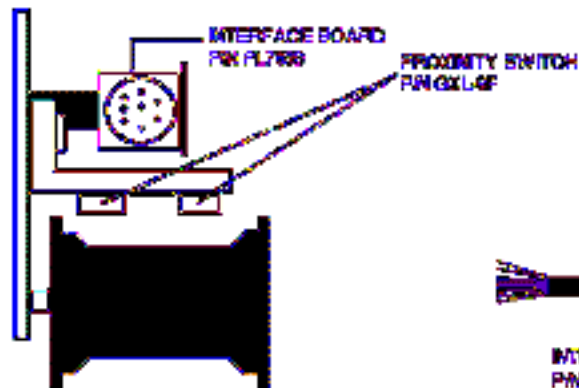
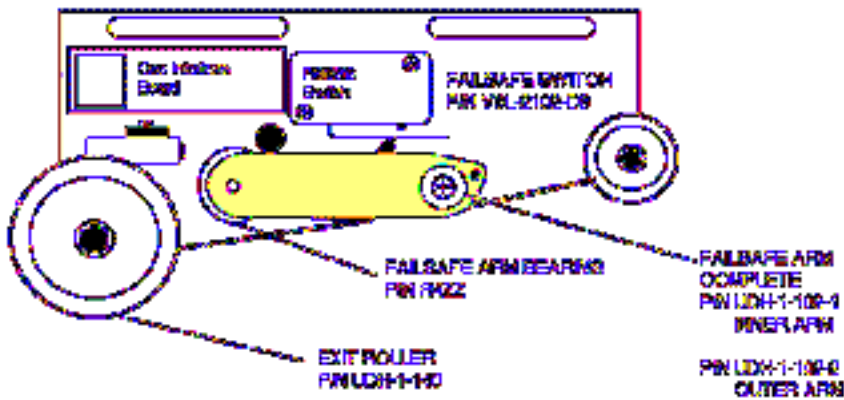
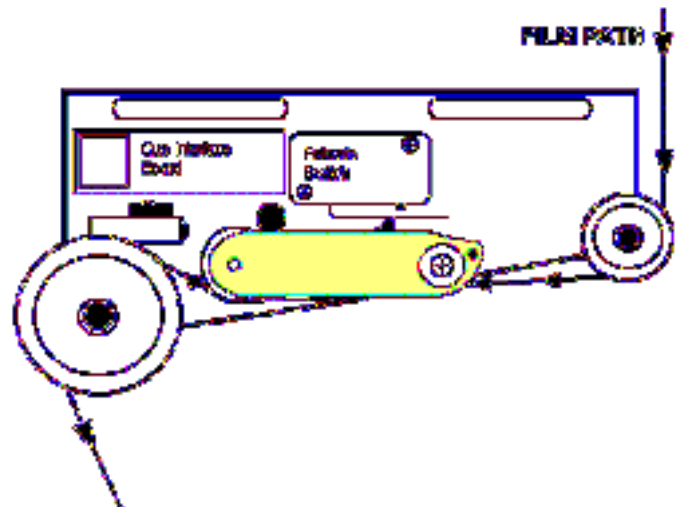
CUE #	OUTBOARD PROX.#3	INBOARD PROX.#1	FUNCTION
1		XX	Inboard Cue Functions
2	XX		Outboard Cue Functions
3	XX	XX	Cross Cue Functions







**REMOVE THIS COVER TO INSTALL  
UNIT ON MOUNTING BRACKET**



**INTERFACE CABLE ASSEMBLY 8 METER LONG  
PN 0460W**