

FILM-TECH

THE INFORMATION CONTAINED IN THIS ADOBE ACROBAT PDF FILE IS PROVIDED AT YOUR OWN RISK AND GOOD JUDGMENT.

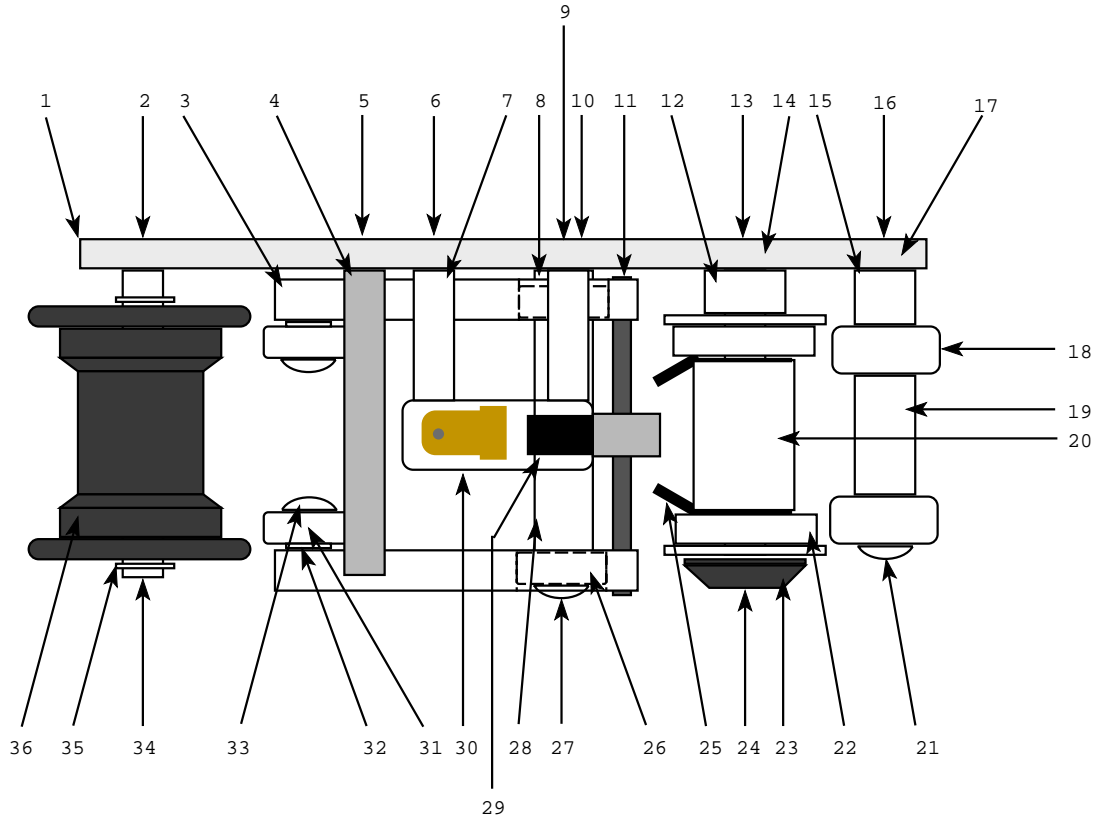
THESE MANUALS ARE DESIGNED TO FACILITATE THE EXCHANGE OF INFORMATION RELATED TO CINEMA PROJECTION AND FILM HANDLING, WITH NO WARRANTIES NOR OBLIGATIONS FROM THE AUTHORS, FOR QUALIFIED FIELD SERVICE ENGINEERS.

IF YOU ARE NOT A QUALIFIED TECHNICIAN, PLEASE MAKE NO ADJUSTMENTS TO ANYTHING YOU MAY READ ABOUT IN THESE ADOBE MANUAL DOWNLOADS.

WWW.FILM-TECH.COM



UDH-100/132 Standard Cue Detector/Failsafe Parts List (Ball Bearing type Ground Roller)



| Ref.# | Part # | Description | Ref.# | Part # | Description |
|-------|-------------|-------------------------------------|-------|-------------|------------------------------------|
| 1 | UDH-1-101 | Main Chassis | 19 | UDH-1-106-4 | Spacer, Ground Roller |
| 2 | SP8F-1/2 | 8-32x1/2" Phillips Flat Head Screw | 20 | PCD-751 | Spacer, Cue Roller |
| 3 | UDH-1-102 | Failsafe Arm | 21 | SP8P-3/8 | 8-32x3/8" Phillips Pan Head Screw |
| 4 | UDH-1-109 | Failsafe Arm Upper Stop | 22 | SFR6ZZ | Bearing, Cue Roller |
| 5 | SP8 F-1/2 | 8-32x1/2" Phillips Flat Head Screw | 23 | PCD-754 | Cap, Cue Roller End |
| 6 | SP4F-1/2 | 4-40x 1/2" Phillips Flat Head Screw | 24 | SHCS8-3/8 | 8-32x3/8" Socket Head Cap Screw |
| 7 | UDH-1-108 | Standoff Failsafe Switch (2) | 25 | PV18-38R | Lug |
| 8 | UDH-1-106-1 | Spacer, Failsafe Arm Inner | 26 | R4ZZ | Bearing |
| 9 | SP8F-1/2 | 8-32x1/2" Phillips Flat Head Screw | 27 | SP8P-3/8 | 8-32x3/8" Phillips Pan Head Screw |
| 10 | UDH-1-105 | Shaft, Failsafe Arm Mounting | 28 | UDH-1-106-2 | Spacer, Failsafe Arm Center (2) |
| 11 | DP.0625x375 | Dowel Pin 1/16x3/8 | 29 | UDH-1-111 | Failsafe Arm Lower Stop |
| 12 | UDH-1-104 | Insulating Spacer | 30 | V3L-2102-D8 | Switch, Failsafe |
| 13 | SP8F-1/2 | 8-32x1/2" Phillips Flat Head Screw | 31 | R4ZZ | Bearing |
| 14 | UDH-1-1205 | Shaft, Cue Bearing | 32 | UDH-4-97 | Spacer, Failsafe Arm Bearing |
| 15 | UDH-1-106-3 | Spacer, Ground Roller Inner | 33 | SP10P-1/2 | 10-32x1/2" Phillips Pan Head Screw |
| 16 | SP8F-1/2 | 8-32x1/2" Phillips Flat Head Screw | 34 | UDH-1-119 | Shaft, Exit Roller |
| 17 | UDH-1-107 | Shaft, Ground Roller | 35 | SR-25 | Ring, 1/4" Retaining |
| 18 | R4AZZ | Bearing, Ground Roller | 36 | 720336 | Roller, Film By-pass (w/Bearings) |