

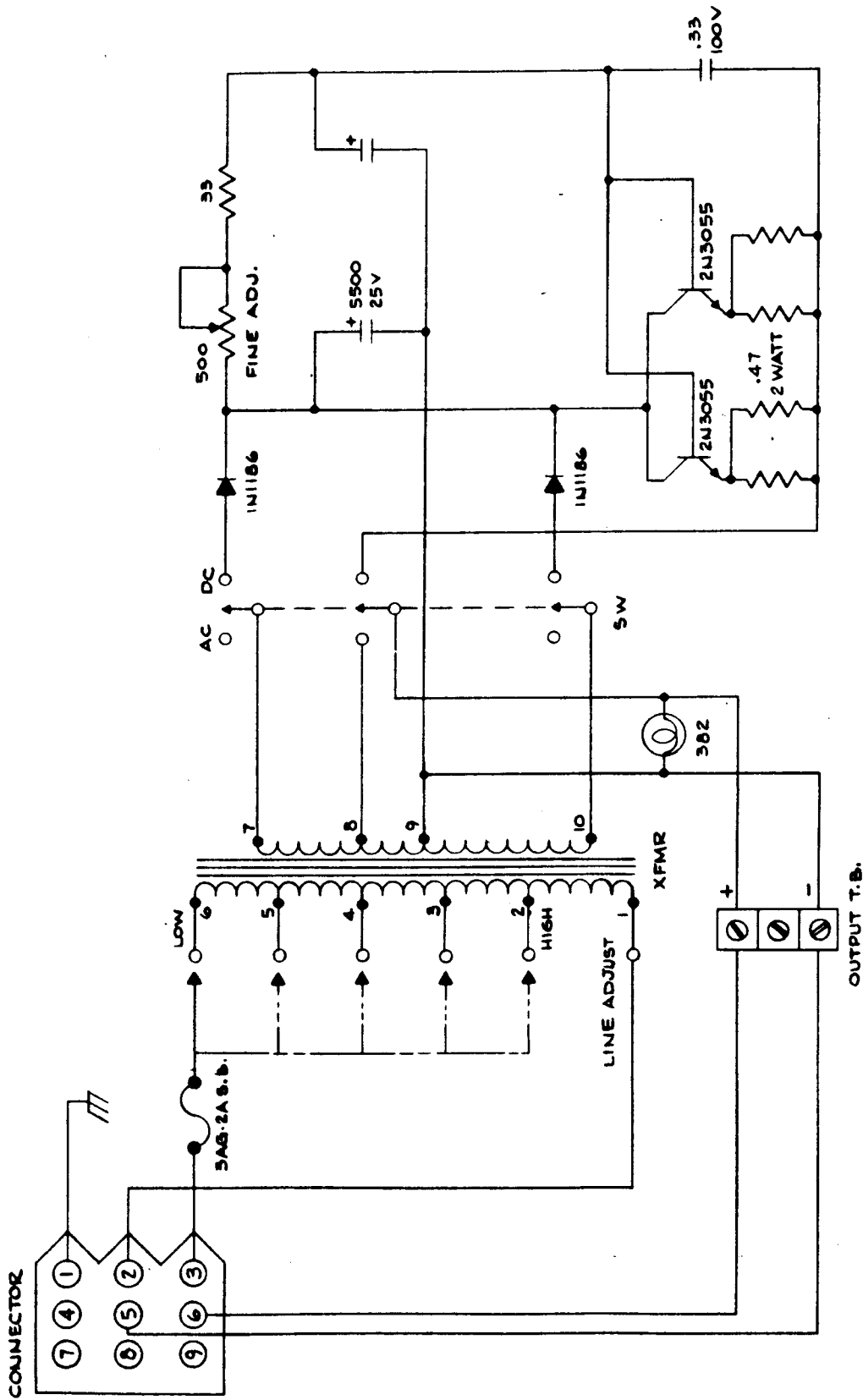
Film-Tech

The information contained in this Adobe Acrobat pdf file is provided at your own risk and good judgment.

These manuals are designed to facilitate the exchange of information related to cinema projection and film handling, with no warranties nor obligations from the authors, for qualified field service engineers.

If you are not a qualified technician, please make no adjustments to anything you may read about in these Adobe manual downloads.

www.film-tech.com



Revision

**7402-B EXCITER SUPPLY
SCHEMATIC**



200 Broadway, New York, N.Y. 10007

Date: 2-5-80	Scale: NONE	Drawn by: P.M.C.
Job No:	File No:	Dwg. No: 385