

FILM-TECH

THE INFORMATION CONTAINED IN THIS ADOBE ACROBAT PDF FILE IS PROVIDED AT YOUR OWN RISK AND GOOD JUDGMENT.

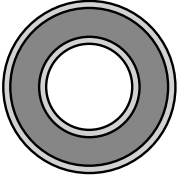
THESE MANUALS ARE DESIGNED TO FACILITATE THE EXCHANGE OF INFORMATION RELATED TO CINEMA PROJECTION AND FILM HANDLING, WITH NO WARRANTIES NOR OBLIGATIONS FROM THE AUTHORS, FOR QUALIFIED FIELD SERVICE ENGINEERS.

IF YOU ARE NOT A QUALIFIED TECHNICIAN, PLEASE MAKE NO ADJUSTMENTS TO ANYTHING YOU MAY READ ABOUT IN THESE ADOBE MANUAL DOWNLOADS.

WWW.FILM-TECH.COM

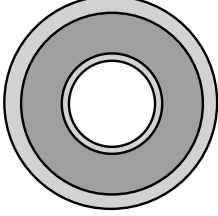
Cue Bearing Identification Chart

SR188PP Bearing



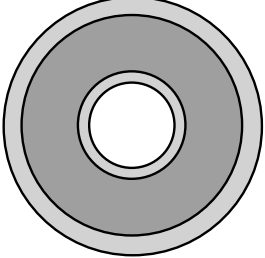
Dimensions:
 O.D. 0.500"
 I.D. 0.245"
 Thick 0.182"

BR4ZZ Bearing



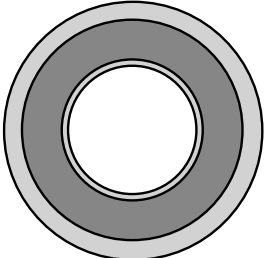
Dimensions:
 O.D. 0.620"
 I.D. 0.245"
 Thick 0.190"

BR4AZZ Bearing



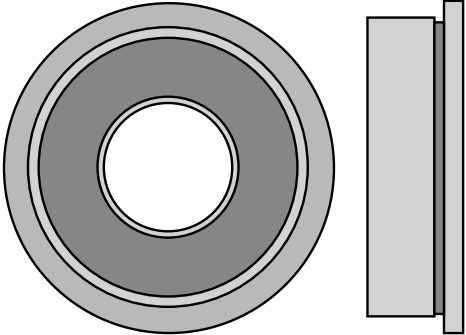
Dimensions:
 O.D. 0.750"
 I.D. 0.245"
 Thick 0.275"

BR6ZZ3/4 Bearing



Dimensions:
 O.D. 0.750"
 I.D. 0.370"
 Thick 0.275"

BRSFR6Z Bearing



Dimensions:
 O.D. 0.965"
 I.D. 0.370"
 Thick 0.275"

**Bearing Pictures are 2X Scale
 Sizing Diagram is 1:1 Scale**

Sizing Diagram

