

FILM-TECH

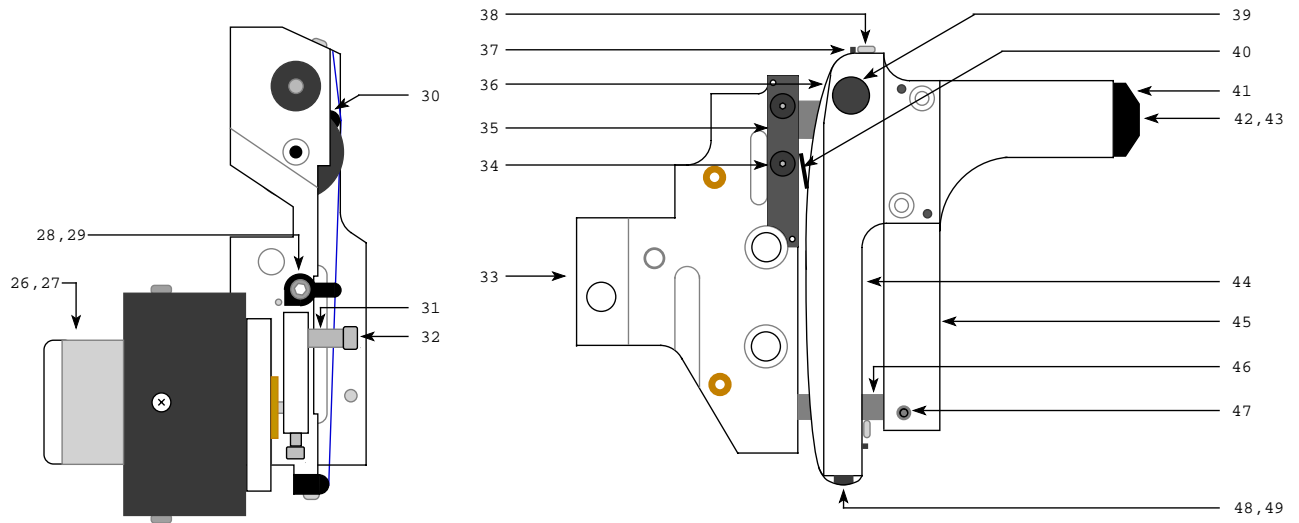
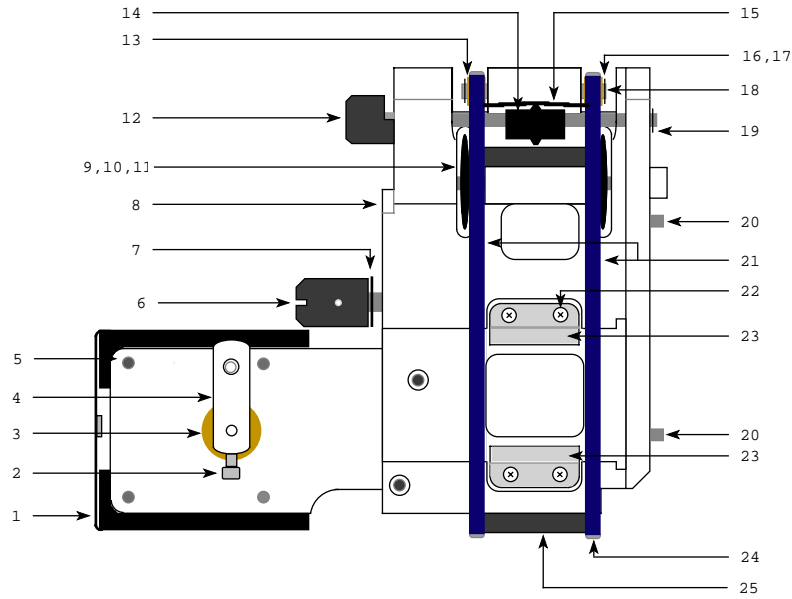
THE INFORMATION CONTAINED IN THIS ADOBE ACROBAT PDF FILE IS PROVIDED AT YOUR OWN RISK AND GOOD JUDGMENT.

THESE MANUALS ARE DESIGNED TO FACILITATE THE EXCHANGE OF INFORMATION RELATED TO CINEMA PROJECTION AND FILM HANDLING, WITH NO WARRANTIES NOR OBLIGATIONS FROM THE AUTHORS, FOR QUALIFIED FIELD SERVICE ENGINEERS.

IF YOU ARE NOT A QUALIFIED TECHNICIAN, PLEASE MAKE NO ADJUSTMENTS TO ANYTHING YOU MAY READ ABOUT IN THESE ADOBE MANUAL DOWNLOADS.

WWW.FILM-TECH.COM

Century Retrofit Gate and Trap Parts List



<u>Item #</u>	<u>Part#</u>	<u>Description</u>
1	9171	Base, Motor Cover
2	SHC4x.5	Socket Head Cap Screw 4-40 x 1/2
3	8907186	Bushing, Motor Shaft Support
4	8907157	Arm, Aperture Plate Articulating
5	SHC4x.5	Socket Head Cap Screw 4-40 x 1/2
6	8907184	Screw, Trap Mounting
7	WA25SS	Washer, Trap Mounting Screw
8	8907151	Main Frame
9	7812301	Roller, Lateral Guide
10	7812439	Mounting Point, Roller, Lateral Guide
11	LGRRB	Ruby Bearing, Roller, Lateral Guide
12	8907178	Shaft, Trap Band Tensioning
	8907179	Knob, Trap Band Tensioning
13	8907171	Arm, Trap Band Tensioning
14	8907177	Eccentric, Trap Band Tensioning
15	8907172	Spring, Trap Band Tensioning
16	SR.125	Ring, Retaining 1/8"
17	SW.125	Washer, Shim 1/8"
18	8907176	Shaft, Arm, Trap Band Tensioning
19	SR.125	Ring, Retaining 1/8"
20	DP.125x.375	Pin, Dowel .125" x .375"
21	8907187	Bands, Trap
22	SP2x.125	Screw, 2-56 x .125"
23	8907181	Retainer, Aperture Plate
24	SP2x.125	Screw, 2-56 x .125"
25	8907166	Plate, Lower Band
26	DME33SRPB	Motor, Aperture Drive
27	4R200	Gear Head, Aperture Drive
28	8907156	Stop, Aperture Plate Outer
29	SHC4x.375	Socket Head Cap Screw 4-40 x 3/8
30	8907165	Plate, Upper Band
31	8907158	Bushing, Aperture Plate Drive
32	SHC6x.625	Socket Head Cap Screw 6-32 x 5/8
33	8907152	Mounting Base
34		
35		

<u>Item #</u>	<u>Part#</u>	<u>Description</u>
36	8907188	Band, Gate
37	DP.062x.25	Pin, .0625" x .250"
38	SP2x.125	Screw, 2-56 x .125"
39	8907174	Gate Catch Plunger Assembly
40	SG.375 x 1.5	Spring, Gate Seperating
41	8907138	Cap
42	SHC8x.5	Socket Head Cap Screw 8-32 x1/2"
43	8907154	Shaft, Gate Support
44	8907175	Bracket, Gate Shoe
45	8907153	Slide, Gate Shoe
46	8907161	Shaft, Gate Righting
47	8907183	Screw, Brass Tipped Set
48	8907196	Bar, Gate Band Tension
49	SS4x.25	Screw, Set,Bar, Gate Band Tension