

FILM-TECH

THE INFORMATION CONTAINED IN THIS ADOBE ACROBAT PDF FILE IS PROVIDED AT YOUR OWN RISK AND GOOD JUDGMENT.

THESE MANUALS ARE DESIGNED TO FACILITATE THE EXCHANGE OF INFORMATION RELATED TO CINEMA PROJECTION AND FILM HANDLING, WITH NO WARRANTIES NOR OBLIGATIONS FROM THE AUTHORS, FOR QUALIFIED FIELD SERVICE ENGINEERS.

IF YOU ARE NOT A QUALIFIED TECHNICIAN, PLEASE MAKE NO ADJUSTMENTS TO ANYTHING YOU MAY READ ABOUT IN THESE ADOBE MANUAL DOWNLOADS.

WWW.FILM-TECH.COM

**KELMAR**

Systems Inc., 284 Broadway, Huntington Station, NY 11746 • 631.421.1230 • FAX 631.421.1274

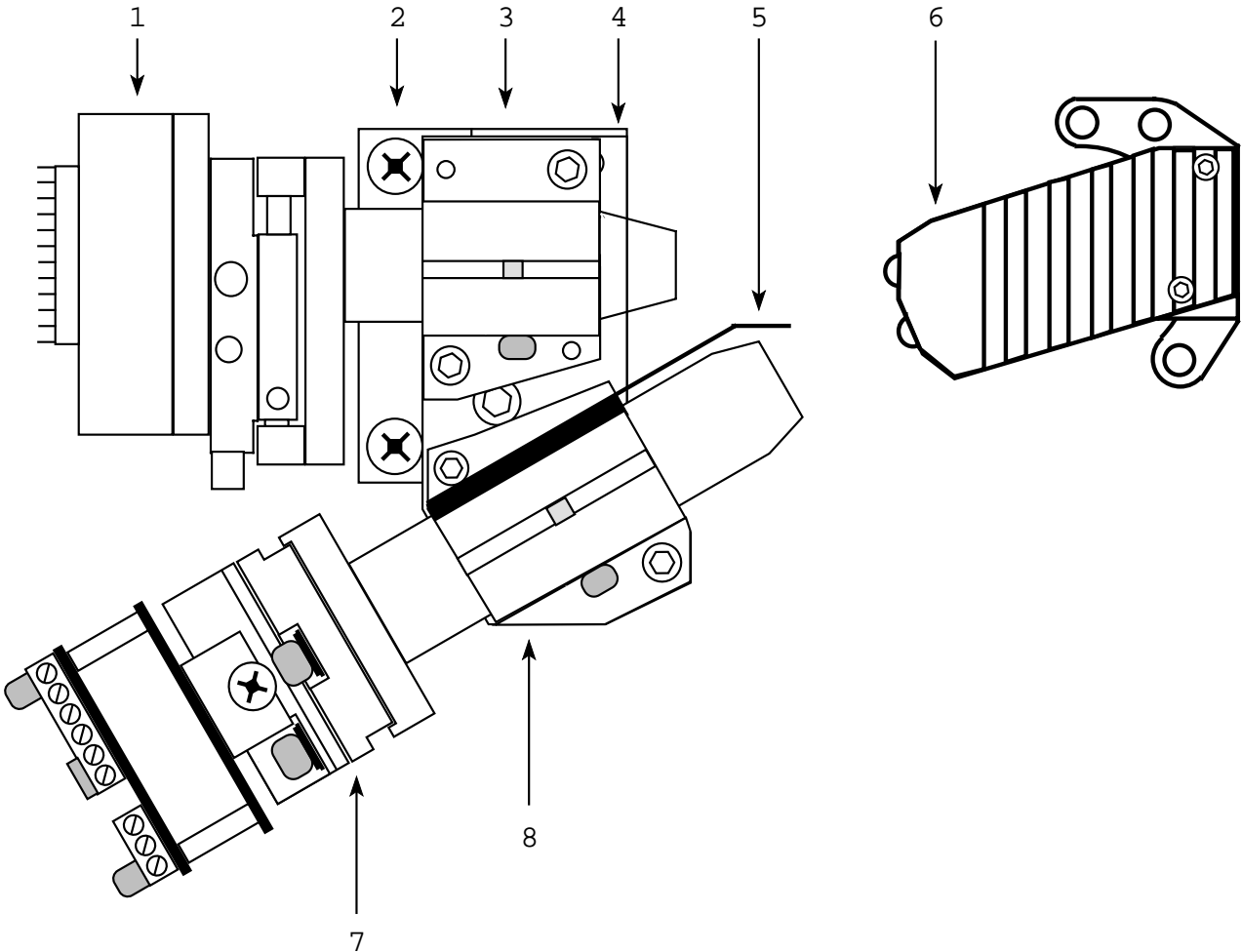
ATD-1276 Dolby® Digital/Analog Basement Reader for Simplex Soundhead

Diagram #	Part#	Description
1	ATD-1300	Digital Reader Assembly
2	9502310	Mounting Base Plate
3	9502112	Digital Reader Clamp Block
4	9502311	Reader Mounting Plate
5	ATD-LS	Light Shield
6	ATD-1176	Dual LED Assembly
7	AT-1250	Analog Reader Assembly
8	9502113	Analog Reader Clamp Block

**KELMAR**

Systems Inc., 284 Broadway, Huntington Station, NY 11746 • 631.421.1230 • FAX 631.421.1274

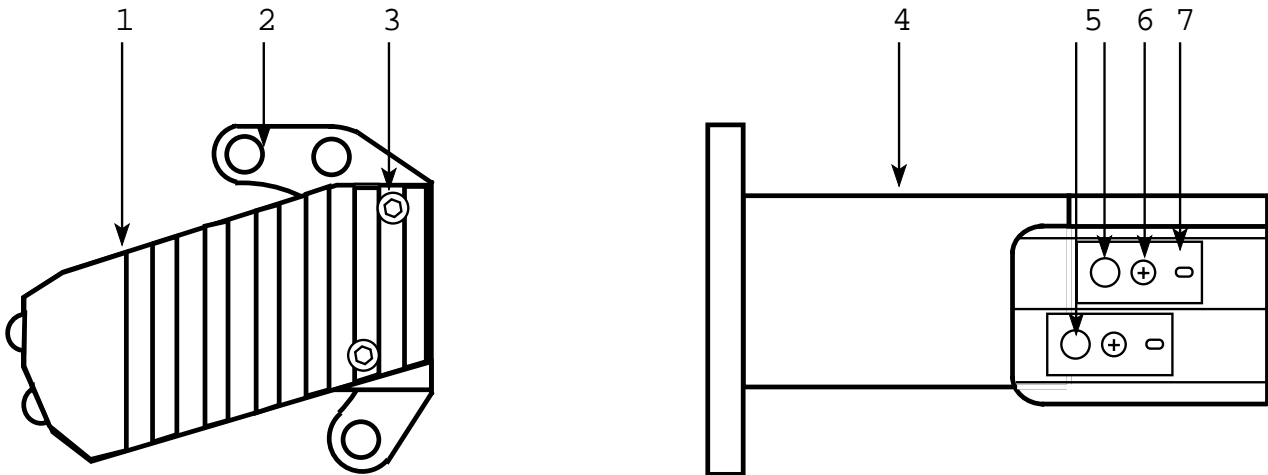
ATD-1276 Dolby® Digital/Analog Basement Reader for Simplex Soundhead**AT-1176 Dual LED Assembly for Simplex**

Diagram #	Part#	Description
1	9502324	Arm
2	AX-1176-1	Base
3	SHC4X750	Arm Mounting Screw
4	AX1176-2	Post
5	AT-IRLED	LED
6	SPF2X250	Clamp Screw
7	9502125	LED Clamp

**KELMAR**

Systems Inc., 284 Broadway, Huntington Station, NY 11746 • 631.421.1230 • FAX 631.421.1274

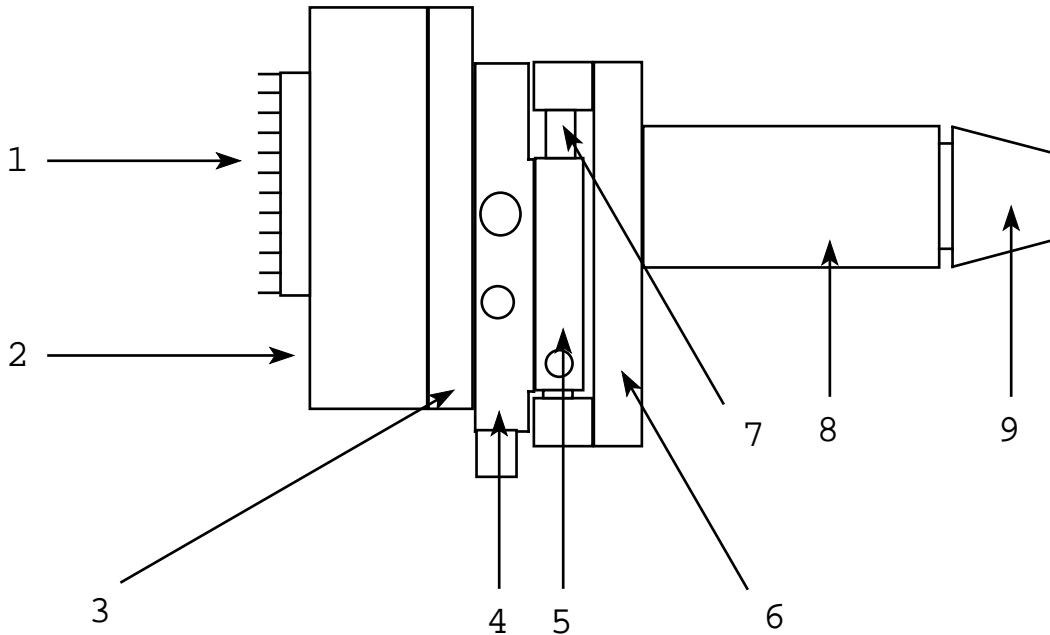
ATD-1276 Dolby® Digital/Analog Basement Reader for Simplex Soundhead**ATD-1300 Dolby® Digital Reader Assembly**

Diagram #	Part#	Description
1	CAT-654	CCD Reader Board
2	9502115	CCD Reader Board Cover
3	9502114	CCD Reader Base Plate
4	AX-1266	Vertical Plate
5	AX-1262	Horizontal Plate
6	AX-1259-1	Base Plate
7	AX-1263-1	Horizontal Plate Runner Shaft
8	AX-1258-4	Lens Tube
9	ATD-L185	Lens and Carrier

**KELMAR**

Systems Inc., 284 Broadway, Huntington Station, NY 11746 • 631.421.1230 • FAX 631.421.1274

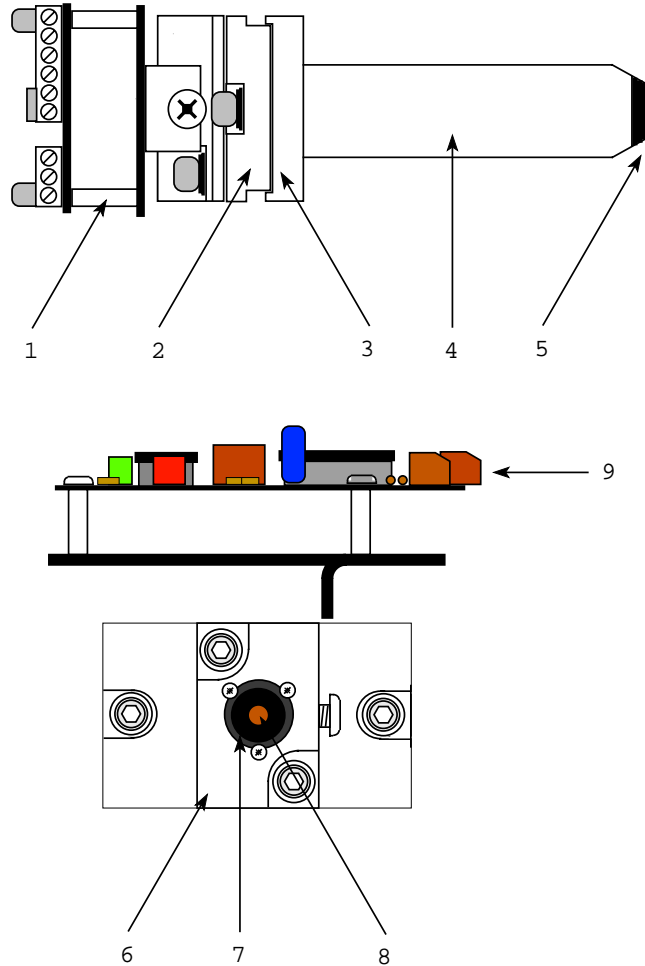
ATD-1276 Dolby® Digital/Analog Basement Reader for Simplex Soundhead**AT-1250 Analog Lens and Solar Cell Assembly**

Diagram #	Part#	Description
1	9565	Pre-Amp Board Mounting Plate
2	AT-1246	Horizontal Slide
3	AT-1239-1	Main Base Plate
4	AT-1255	Lens Tube
5	AT-L1765	Lens
6	AT-1247	Vertical Slide
7	AT-1268	Solar Cell Retainer
8	AT-655-WM	Solar Cell W/Mask
9	PC-7929	Solar Cell Pre-Amp