

# FILM-TECH

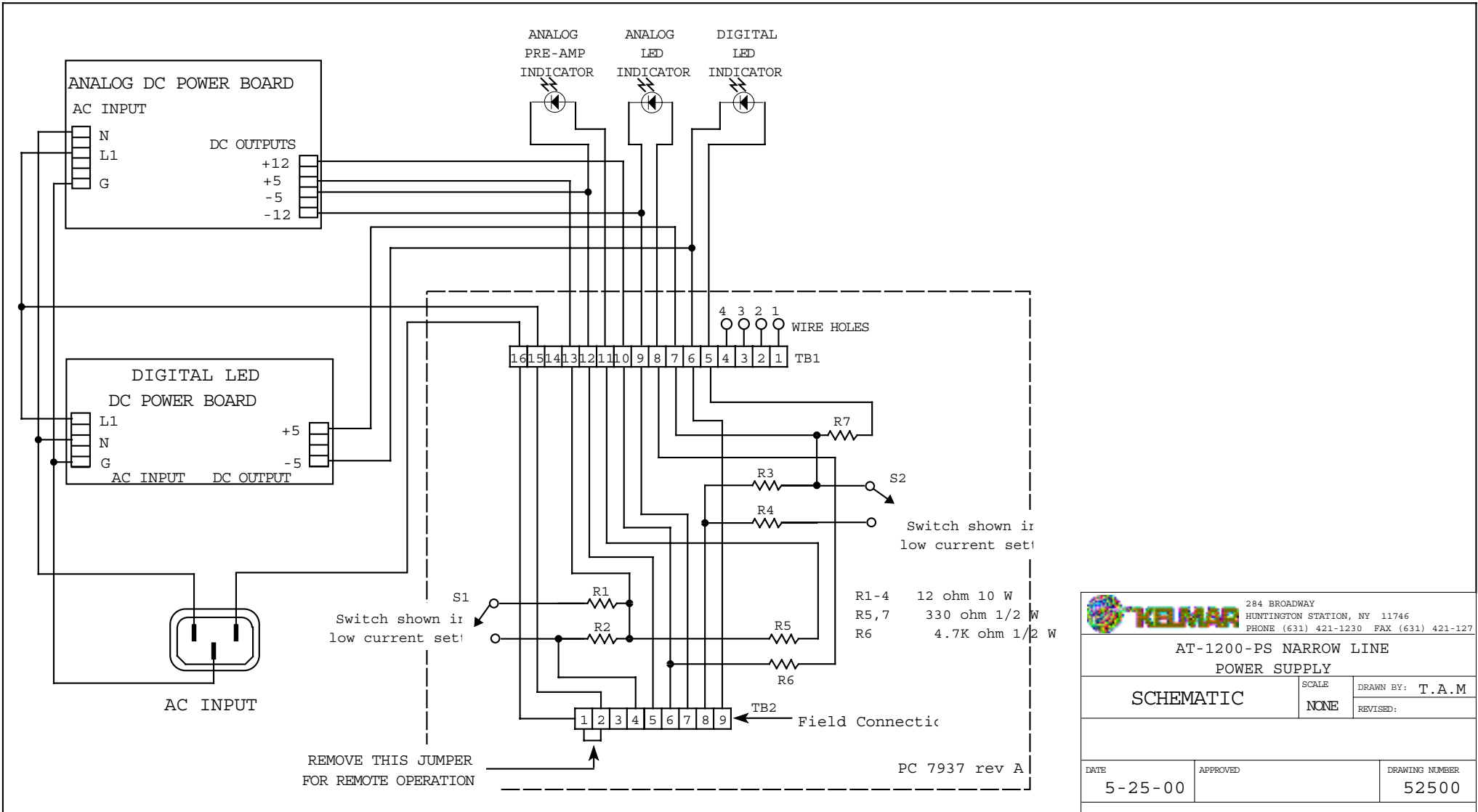
**THE INFORMATION CONTAINED IN THIS ADOBE ACROBAT PDF FILE IS PROVIDED AT YOUR OWN RISK AND GOOD JUDGMENT.**


**THESE MANUALS ARE DESIGNED TO FACILITATE THE EXCHANGE OF INFORMATION RELATED TO CINEMA PROJECTION AND FILM HANDLING, WITH NO WARRANTIES NOR OBLIGATIONS FROM THE AUTHORS, FOR QUALIFIED FIELD SERVICE ENGINEERS.**

**IF YOU ARE NOT A QUALIFIED TECHNICIAN, PLEASE MAKE NO ADJUSTMENTS TO ANYTHING YOU MAY READ ABOUT IN THESE ADOBE MANUAL DOWNLOADS.**

**[WWW.FILM-TECH.COM](http://WWW.FILM-TECH.COM)**

**AT-1200-PS Schematic**



		284 BROADWAY HUNTINGTON STATION, NY 11746 PHONE (631) 421-1230 FAX (631) 421-1274	
		AT-1200-PS NARROW LINE POWER SUPPLY	
SCHEMATIC		SCALE NONE	DRAWN BY: T.A.M REVISED:
DATE 5-25-00	APPROVED	DRAWING NUMBER 52500	