

# FILM-TECH

**THE INFORMATION CONTAINED IN THIS ADOBE ACROBAT PDF FILE IS PROVIDED AT YOUR OWN RISK AND GOOD JUDGMENT.**

**THESE MANUALS ARE DESIGNED TO FACILITATE THE EXCHANGE OF INFORMATION RELATED TO CINEMA PROJECTION AND FILM HANDLING, WITH NO WARRANTIES NOR OBLIGATIONS FROM THE AUTHORS, FOR QUALIFIED FIELD SERVICE ENGINEERS.**

**IF YOU ARE NOT A QUALIFIED TECHNICIAN, PLEASE MAKE NO ADJUSTMENTS TO ANYTHING YOU MAY READ ABOUT IN THESE ADOBE MANUAL DOWNLOADS.**

**[WWW.FILM-TECH.COM](http://WWW.FILM-TECH.COM)**

## **Deluxe House Light Dimmer 2.4 Kw/3.6 Kw Instructions**

### **Electrical Installation**

Mounting the unit is straightforward and convenient. Full length pads across the top and bottom of the cabinet will accept up to 1/4" hardware. When mounting the unit on block or other irregular

surface walls, avoid springing the enclosure when tightening the mounting hardware. Use 1/4" washers as shims behind the mounting pads to fill heavy gaps. In the upper and lower right-hand side of the case, 3/4" and 1" KO's have been provided for line, load and control connections.

Access to the electrical connection area is gained by loosening the four 6-32 Phillips head screws securing the dark gray wrap on the right-hand side of the enclosure. The wrap can then be pulled forward and removed.

**Line #1 feeds the normal 3-position or house dimmer circuit. Line #2 feeds the emergency bypass circuit and its associated control board. Terminal #3 is the neutral feed from the buss in the panel. Terminal #4 is the neutral for the branch circuit loads. All neutrals, both line and load, must terminate on lugs #3 and #4.**

The low voltage remote control or automation interface printed circuit board has been clearly silk screened for your convenience. Terminals #1 through #4 interface with the Kelmar remote control. They provide LED positioning readout at that device. Terminals #5, #6, #7 and #9 interface directly with the corresponding terminals on the remote control or automation system. They provide level control for the house lights. Terminal #8 on the printed circuit board provides for a fourth level, which drives the system to full off. This feature is a convenience for those users who wish to be able to turn the lights fully off from a remote location without tripping the breakers. Terminals #10 through \*13 provide remote control of the emergency bypass contactor. Built-in control logic is 12 volts DC. All remote control devices or Automation Systems should provide dry reed closure only. Switching logic used for either remote or automation control should have a closure duration of at least 1/4 second,

### **Setup and Calibration Procedures**

The control section of the dimmer should remain closed until the projection room is broom clean. Access to the inside of the control panel is gained by loosening the 6-32 Phillips head screws at the top and bottom of the right-hand side of the panel. Do not remove the screws on the left-hand side of the panel. The panel will swing forward, displaying the two printed circuit boards on which all appropriate controls are mounted.

**CAUTION SHOULD BE EXERCISED AT THIS POINT TO AVOID CONTACT, EITHER THROUGH YOUR HANDS OR TOOLS, TO THE EXPOSED TERMINAL LUGS ON THE LARGE BLACK CHOKE ON THE REAR OF THE UNIT WHEN VOLTAGE IS PRESENT.**

The rate and level trimmers for the house light section, R15 through R19, are on a horizontal line in the left-hand side of the control board. R15 is the down rate, R16 is the up rate, R17 is the high level, R18 is the mid level and R19 is the low level.

Suggested house light setup procedures are as follows:

- (1) Turn the rate pots R15 and R16 fully counterclockwise. This will provide the fastest rates and will save you time in setting the levels.
- (2) The house high level is selected by trimming R17, mid level by R18, and low level by R19. When setting R19, turn the low Trim knob on the Opposite or operating side of the cover to its full counterclockwise position. Then set R19 to establish that level of lighting that will provide suitable illumination during the feature presentation.
- (3) After the levels have been stabilized, your rates may be set by trimming R15 for down and R16 for up.

Turning the trim knob Marked "LOW TRIM" clockwise will override the "LOW" house setting and provide increased illumination for audiences requiring supervision. Returning the "Low Trim" knob to its fully counterclockwise Position resets the level to the value set by R19.

Every effort has been made to provide you with a system of the highest quality. If we may be of any further service regarding the installation or the operation of the system, please contact:

Kelmar Systems Inc.  
284 Broadway  
Huntington Station NY 11746  
Phone 516-421-1230 FAX 516-421-1274

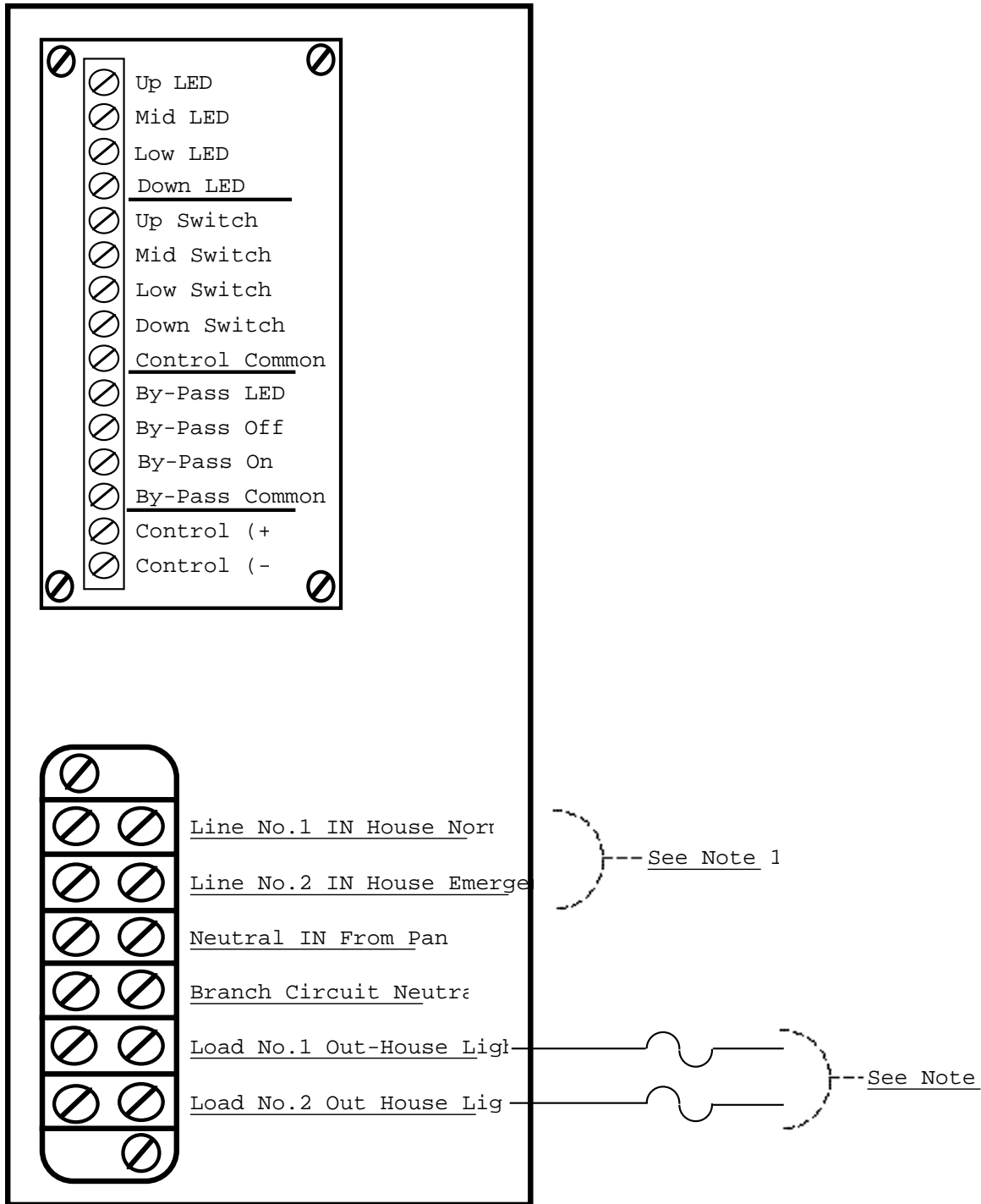
## CONTROL INTERFACE

CONTROL TERMINAL BLOCK	FUNCTION	INTERFACE TERMINATION
1	UP LED	FOR USE WITH REMOTE ONLY
2	MID LED	FOR USE WITH REMOTE ONLY
3	LOW LED	FOR USE WITH REMOTE ONLY
4	DOWN LED	FOR USE WITH REMOTE ONLY
5	UP CONTROL	AUTOMATION LIGHTS UP
6	MID CONTROL	AUTOMATION MID
7	LOW CONTROL	AUTOMATION LIGHTS DOWN
8	DOWN CONTROL	FOR USE WITH REMOTE ONLY
9	CONTROL COMMON	AUTOMATION HOUSE LIGHTS FEED
10	LED BY-PASS	FOR USE WITH REMOTE ONLY
11	OFF BY-PASS	FOR USE WITH AUTOMATION OR REMOTE
12	ON BY-PASS	FOR USE WITH AUTOMATION OR REMOTE
13	COMMON BY-PASS	FOR USE WITH AUTOMATION OR REMOTE
14-15	NOT USED	

POWER TERMINAL BLOCK	FUNCTION	INTERFACE TERMINATION
1	LINE 1 IN	A.C. PANEL - HOUSE CIRCUIT
2	LINE 2 IN	A.C. PANEL - BY-PASS CIRCUIT
3	NEUTRAL IN	A.C. PANEL - NEUTRAL
4	NEUTRAL OUT	AUDITORIUM LIGHT FIXTURES
5	LOAD 1 OUT	AUDITORIUM LIGHT FIXTURES
6	LOAD 2 OUT	BY-PASS OUTPUT

**PLEASE NOTE THAT LINE 1 AND LINE 2 MUST BE SUPPLIED BY THE SAME PHASE**



**Notes**

1. From Lighting Panel- Separate Breakers Same Phase
2. Provide Branch Circuit Breaker Protection As Required By Code

