

# FILM-TECH

**THE INFORMATION CONTAINED IN THIS ADOBE ACROBAT PDF FILE IS PROVIDED AT YOUR OWN RISK AND GOOD JUDGMENT.**

**THESE MANUALS ARE DESIGNED TO FACILITATE THE EXCHANGE OF INFORMATION RELATED TO CINEMA PROJECTION AND FILM HANDLING, WITH NO WARRANTIES NOR OBLIGATIONS FROM THE AUTHORS, FOR QUALIFIED FIELD SERVICE ENGINEERS.**

**IF YOU ARE NOT A QUALIFIED TECHNICIAN, PLEASE MAKE NO ADJUSTMENTS TO ANYTHING YOU MAY READ ABOUT IN THESE ADOBE MANUAL DOWNLOADS.**

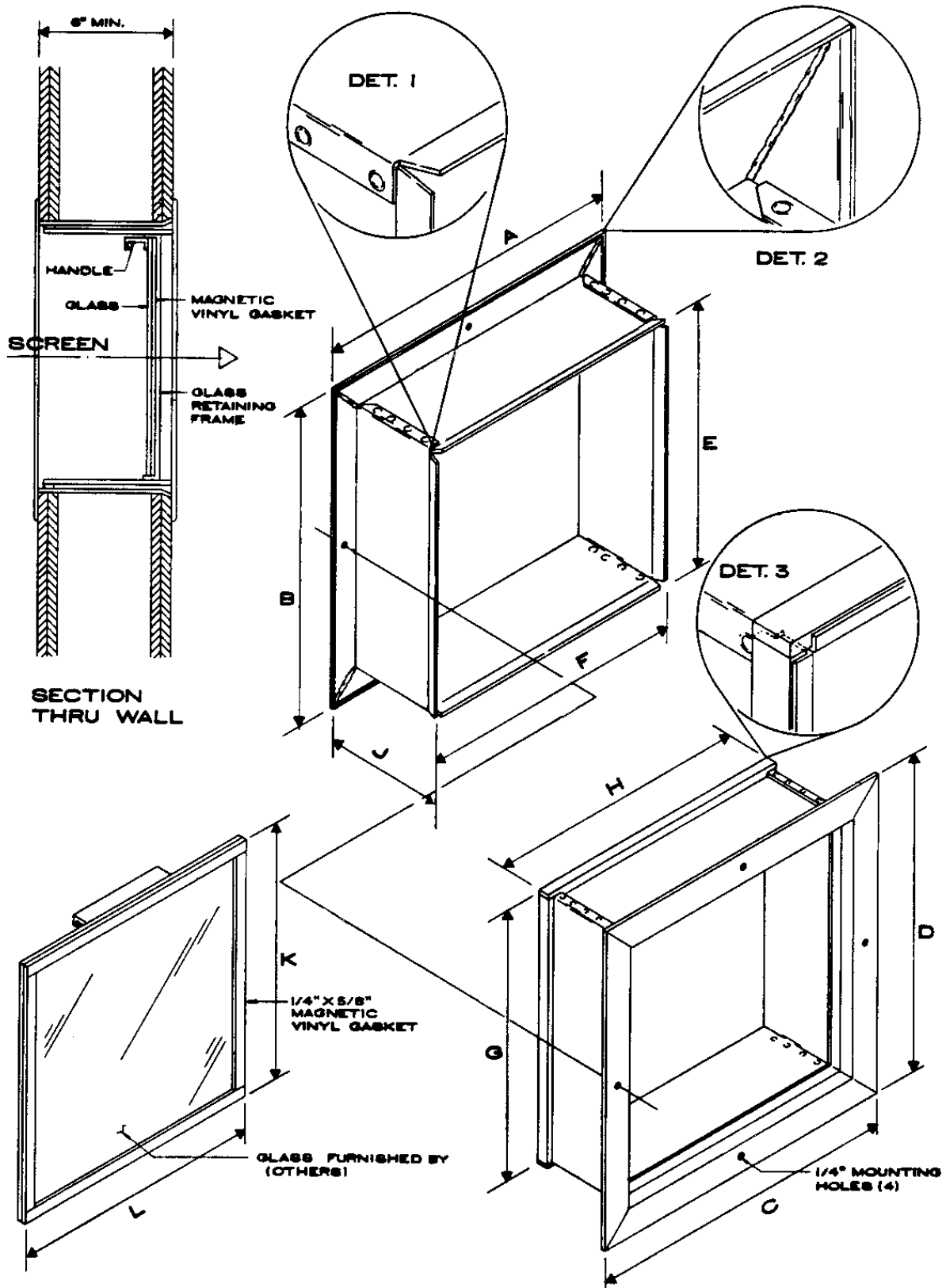
**[WWW.FILM-TECH.COM](http://WWW.FILM-TECH.COM)**



**KELMAR**

Systems Inc., 284 Broadway, Huntington Station, NY 11746 • 631.421.1230 • FAX 631.421.1274

### Porthole Dimension Sheet for 24 x 24 Frame





**Porthole Dimension Sheet for 24 x 24 Frame**

A: 28"

B: 28"

C: 27-3/8"

D: 27-3/8"

E: 24-7/8"

F: 24-7/8"

G: 24-3/8"

H: 24-3/8"

J: 6"

K: 23-5/8"

L: 23-5/8"

Trim Flange is 1-3/4" Wide

To determine Rough Opening add 1-3/8" to Specified Size ie:

24"w X 24"h = 25-3/8"w X 25-3/8"h Rough Opening